



US00D900680S

(12) **United States Design Patent** (10) **Patent No.:** **US D900,680 S**  
**Chen** (45) **Date of Patent:** **\*\* Nov. 3, 2020**

(54) **ELECTRIC BICYCLE**

(71) Applicant: **Qiang Chen**, Guangzhou (CN)

(72) Inventor: **Qiang Chen**, Guangzhou (CN)

(\*\*) Term: **15 Years**

(21) Appl. No.: **29/691,778**

(22) Filed: **May 20, 2019**

(51) **LOC (12) Cl.** ..... **12-11**

(52) **U.S. Cl.**  
USPC ..... **D12/111**

(58) **Field of Classification Search**  
USPC ..... D12/111, 117; D21/412, 414, 419,  
D21/423-428, 431-435  
CPC ..... B62K 3/00; B62K 3/02; B62K 3/06  
See application file for complete search history.

(56) **References Cited**

**U.S. PATENT DOCUMENTS**

4,634,138	A *	1/1987	Fryer	.....	B62K 15/008 280/278
5,836,602	A *	11/1998	Wang	.....	B62K 15/008 280/287
6,267,401	B1 *	7/2001	De Jong	.....	B62K 15/008 280/287
D487,234	S *	3/2004	Chen	.....	D12/111
D497,122	S *	10/2004	Uenaka	.....	D12/111
7,055,842	B1 *	6/2006	Lin	.....	B62K 15/008 280/278
7,156,409	B2 *	1/2007	Chuang	.....	B62K 15/006 280/278

D617,687	S *	6/2010	Brady	.....	D12/111
D626,037	S *	10/2010	Thetard	.....	D12/111
D654,403	S *	2/2012	Kyu	.....	D12/111
D724,497	S *	3/2015	Harness	.....	D12/111
D730,778	S *	6/2015	Harness	.....	D12/111
D756,264	S *	5/2016	Thompson	.....	D12/111
D795,747	S *	8/2017	Bailie	.....	D12/111
D807,232	S *	1/2018	Bailie	.....	D12/111
D807,233	S *	1/2018	Zhang	.....	D12/111
D809,434	S *	2/2018	Le	.....	D12/111
D814,361	S *	4/2018	Shi	.....	D12/111
D829,133	S *	9/2018	Rahmatulloev	.....	D12/111

\* cited by examiner

*Primary Examiner* — Darlington Ly

(74) *Attorney, Agent, or Firm* — KA Filing LLC; Wayne Harper; Cynthia Flanigan

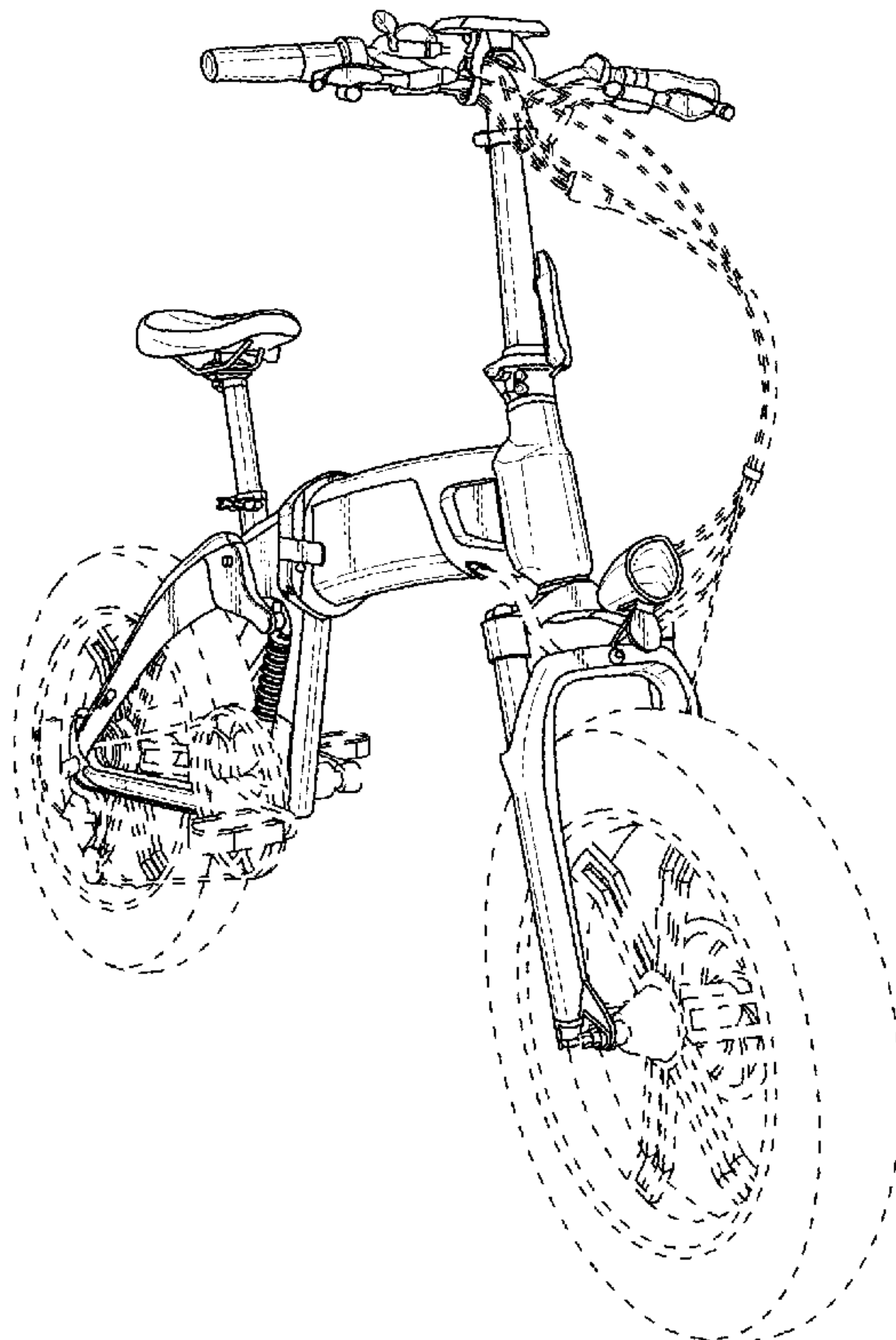
(57) **CLAIM**

I claim the ornamental design for an electric bicycle, as shown and described.

**DESCRIPTION**

FIG. 1 is a top, front, and right-side perspective view of an electric bicycle showing my new design; FIG. 2 is a front elevation view thereof; FIG. 3 is a rear elevation view thereof; FIG. 4 is a left-side elevation view thereof; FIG. 5 is a right-side elevation view thereof; FIG. 6 is a top plan view thereof; and, FIG. 7 is a bottom plan view thereof. The broken lines in the drawings illustrate portions of the electric bicycle that form no part of the claimed design.

**1 Claim, 7 Drawing Sheets**



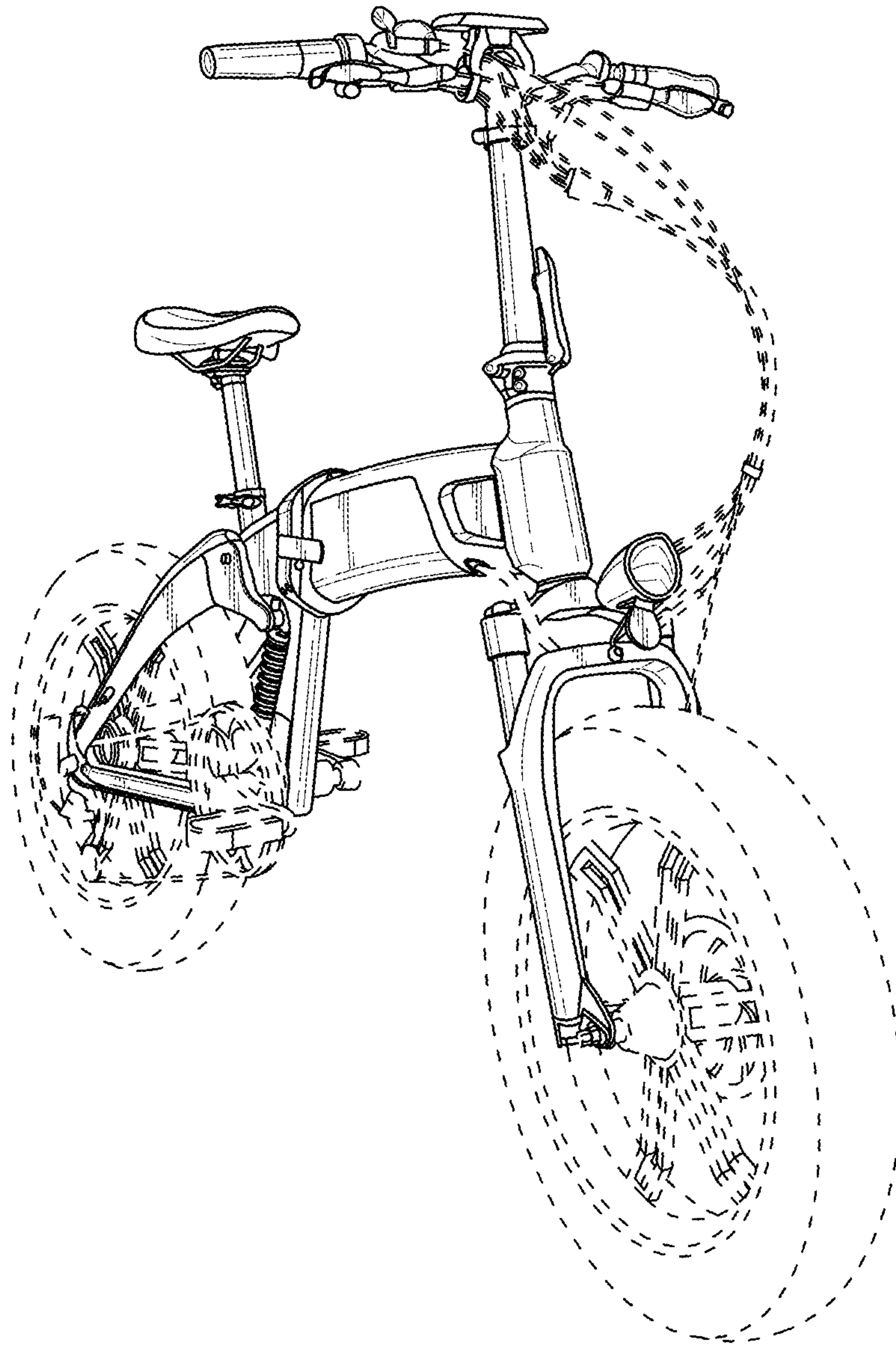


FIG. 1

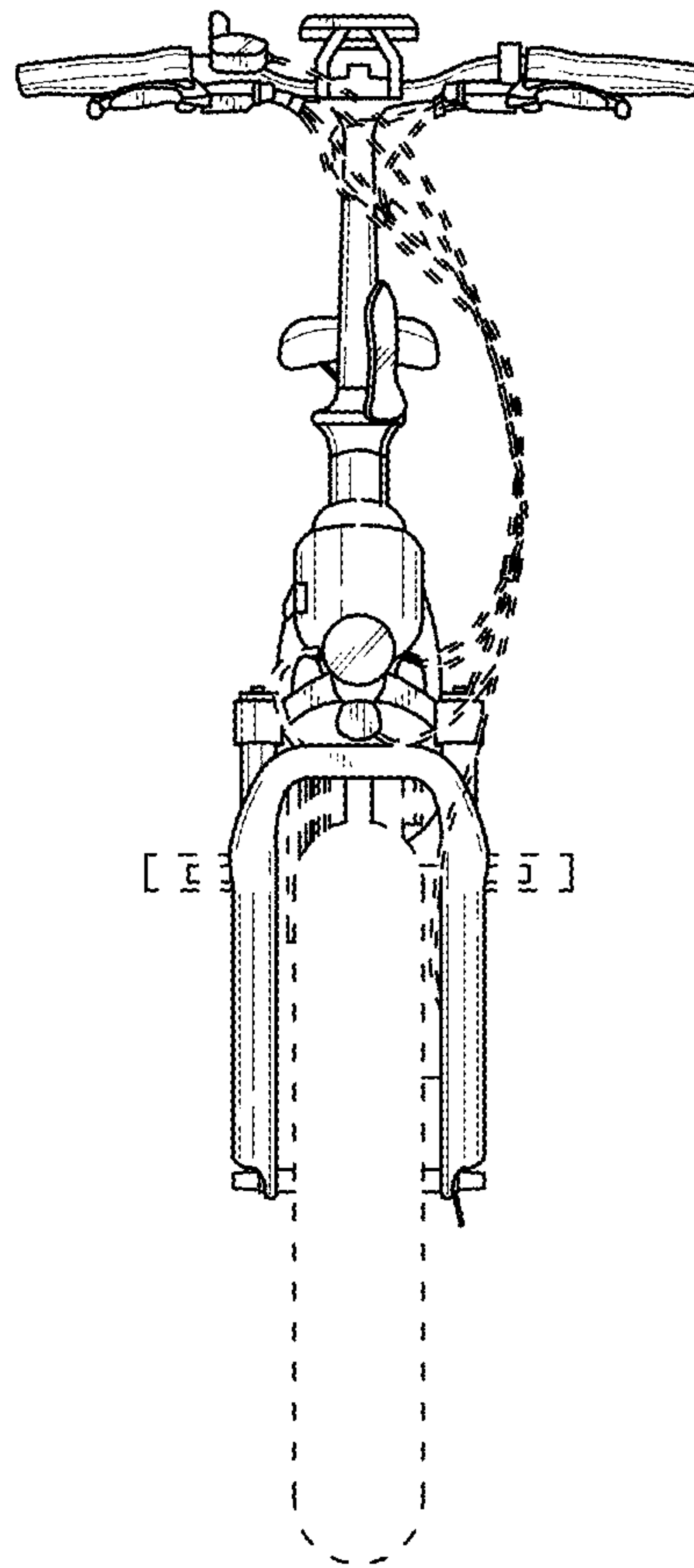


FIG. 2

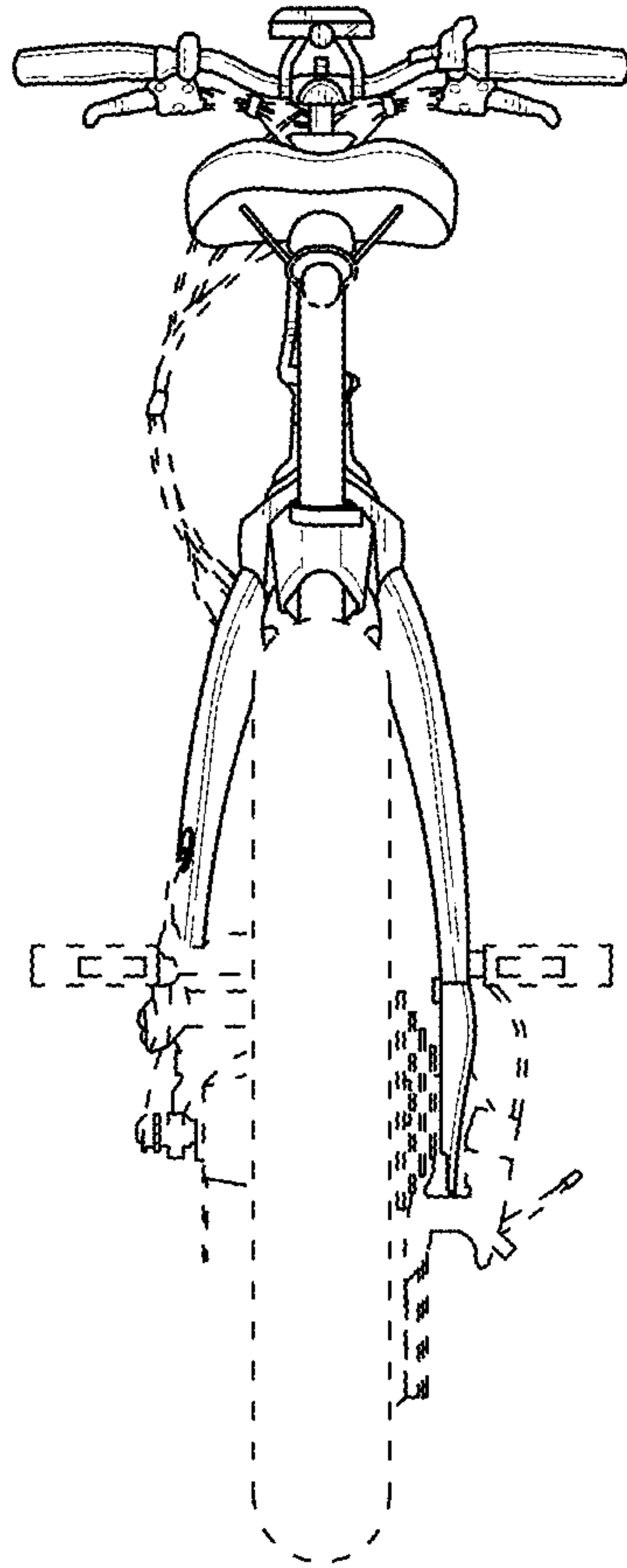


FIG. 3

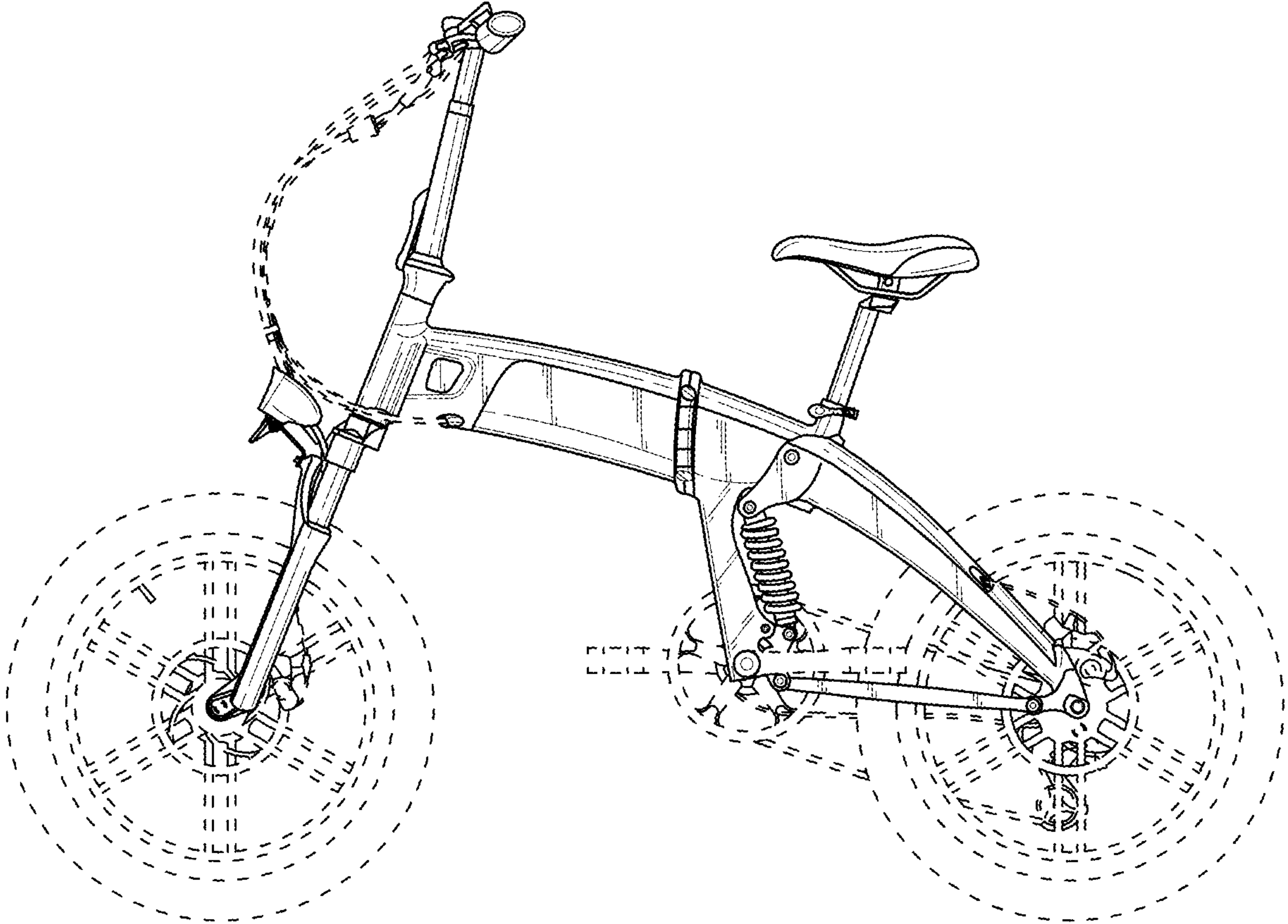


FIG. 4



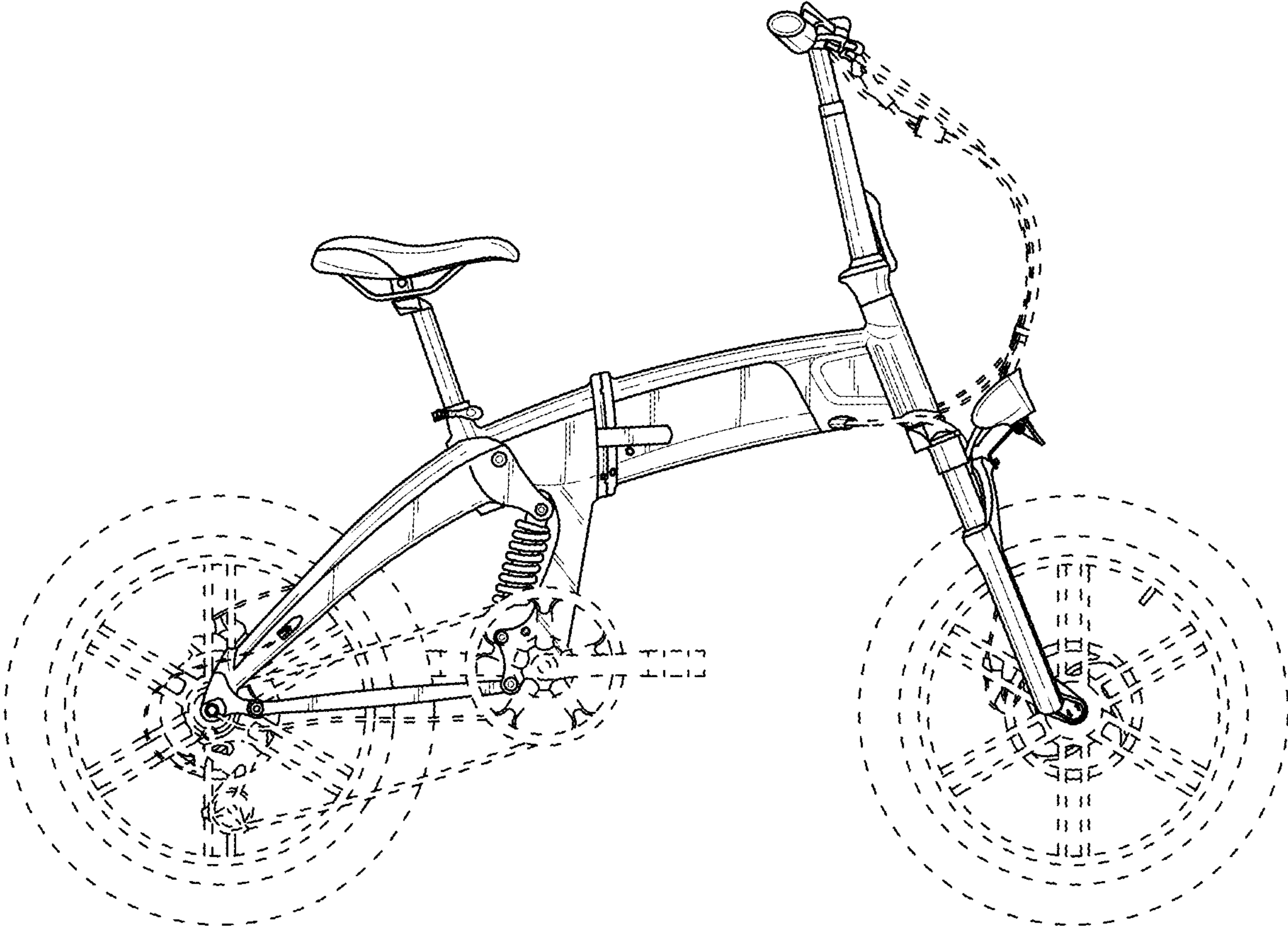


FIG. 5

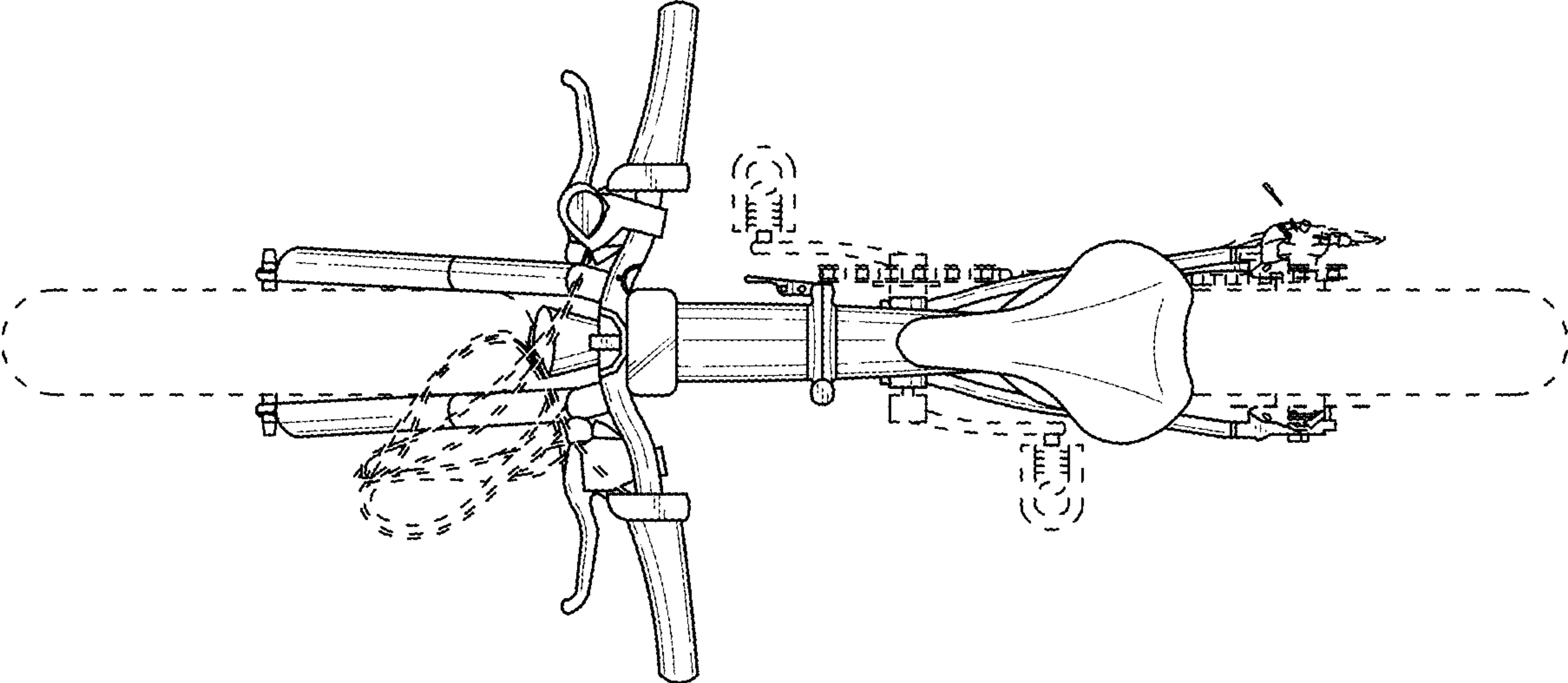


FIG. 6

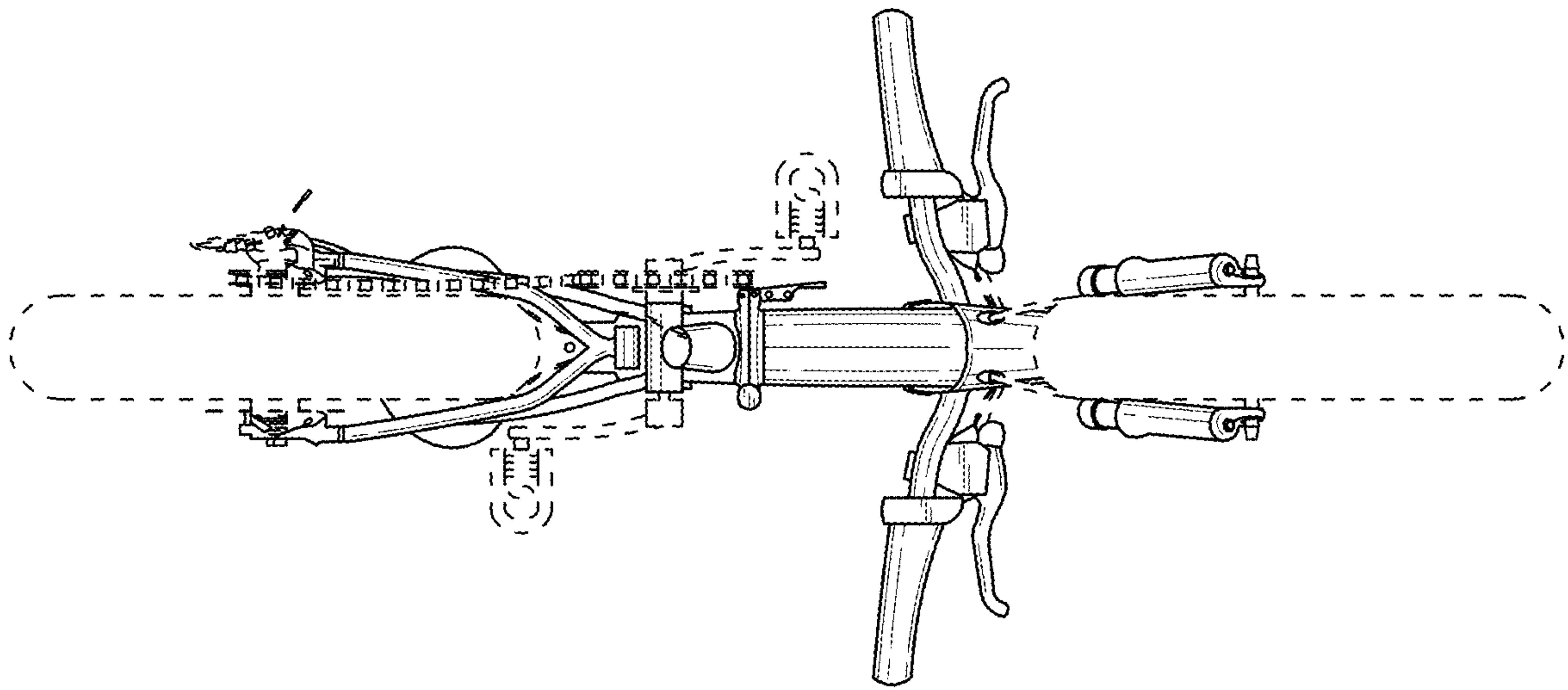


FIG. 7