



(12) **United States Design Patent**
Keman et al.

(10) **Patent No.:** **US D900,677 S**
(45) **Date of Patent:** **** Nov. 3, 2020**

(54) **TURRET**
(71) Applicant: **FNSS SAVUNMA SISTEMLERI A.S.**,
Golbasi, Ankara (TR)
(72) Inventors: **Gokhan Keman**, Ankara (TR); **Tolga**
Yasar Yilmaz, Ankara (TR); **Arif**
Madanoglu, Ankara (TR)
(**) Term: **15 Years**
(21) Appl. No.: **29/709,816**
(22) Filed: **Oct. 17, 2019**

(30) **Foreign Application Priority Data**

Apr. 17, 2018 (TR) 2019/02603
(51) **LOC (12) Cl.** **12-13**
(52) **U.S. Cl.**
USPC **D12/12**
(58) **Field of Classification Search**
USPC D12/1, 3, 12, 14, 82, 85, 86, 87, 88;
D21/433, 434, 533, 539, 548, 550, 551,
D21/552, 557, 559, 763; 89/36.08, 36.13,
89/36.14, 37.03, 37.13, 40.03, 41.02,
89/41.12, 41.18, 45, 46; D22/100, 101,
D22/199
CPC B62D 55/00; B62D 55/14; B60K 17/00;
B60R 2021/132; B60Y 2200/124; B60Y
2200/20; B60Y 2200/24; B60Y 2200/25;
B60Y 2200/254; B60Y 2200/42; B60Y
2200/40; F41H 7/00; F41A 23/24; F41A
23/34

See application file for complete search history.

(56) **References Cited**

U.S. PATENT DOCUMENTS

2,016,292 A * 10/1935 Rarey F16C 19/188
89/36.13
2,891,448 A * 6/1959 Hultgren F41A 9/02
89/46

3,136,212 A * 6/1964 Girouard F41A 9/42
89/33.02
3,144,644 A * 8/1964 Getting F41G 5/14
342/67
6,606,933 B2 * 8/2003 Falk F41A 9/04
89/33.14
6,701,821 B2 * 3/2004 Lundqvist F41A 9/56
89/37.01
7,021,189 B2 * 4/2006 Patry F41A 27/10
89/36.14
D536,053 S * 1/2007 Housley D22/100
8,297,170 B2 * 10/2012 Diller F41H 7/04
89/36.13
10,343,482 B2 * 7/2019 Duinat B60H 1/00028
(Continued)

OTHER PUBLICATIONS

Remote Weapon Station, www.armyrecognition.com [online]. Pub-
lished on Feb. 26, 2020, [retrieved on Jul. 11, 2020]. Retrieved from
the Internet: <URL:https://www.armyrecognition.com/weapons_
defence_industry_military_technology_uk/analysis_top_most_
modern_naval_rws_remote_weapon_station.html> (Year: 2020).*

(Continued)

Primary Examiner — Karen E Kearney
Assistant Examiner — Adam C Mager

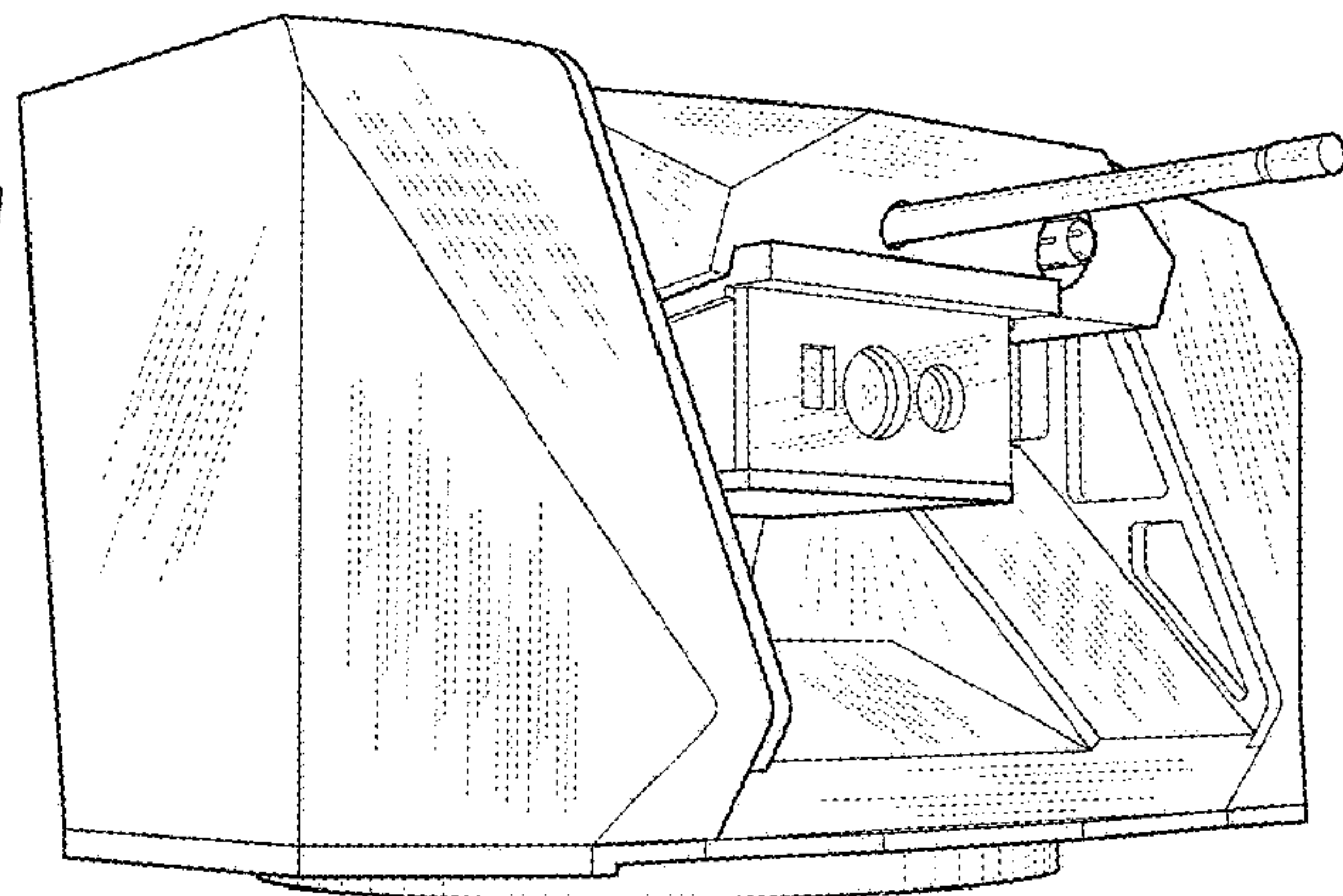
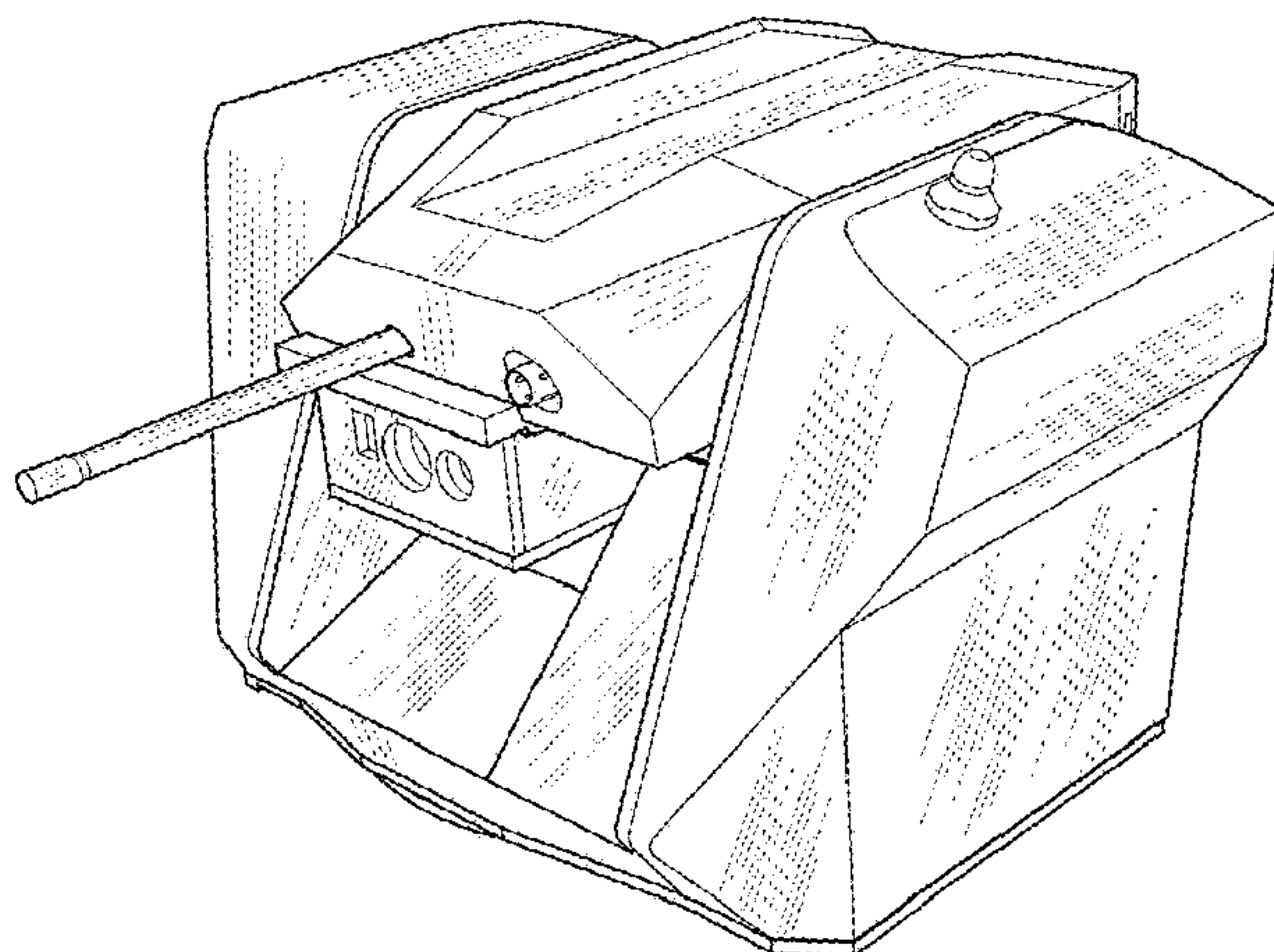
(57) **CLAIM**

The ornamental design for a turret, as shown and described.

DESCRIPTION

FIG. 1 is a front view of a turret showing our new design.
FIG. 2 is a rear view thereof;
FIG. 3 is a left side view thereof;
FIG. 4 is a first perspective view thereof;
FIG. 5 is a second perspective view thereof; and,
FIG. 6 is a top view thereof.

1 Claim, 6 Drawing Sheets



(56)

References Cited

U.S. PATENT DOCUMENTS

10,663,241 B2 * 5/2020 Baert F41A 9/34
2009/0031890 A1 * 2/2009 Trigo F41A 23/005
89/37.13
2018/0372439 A1 * 12/2018 Pellegri F41H 5/20

OTHER PUBLICATIONS

MAV—FNSS Savunma Sistemleri, www.fnss.com.tr [online]. Published on or before Jul. 20, 2020, [retrieved on Jul. 20, 2020]. Retrieved from the Internet: <URL:<https://www.fnss.com.tr/en/product/mav-marine-assault-vehicle>> (Year: 2020).*

* cited by examiner

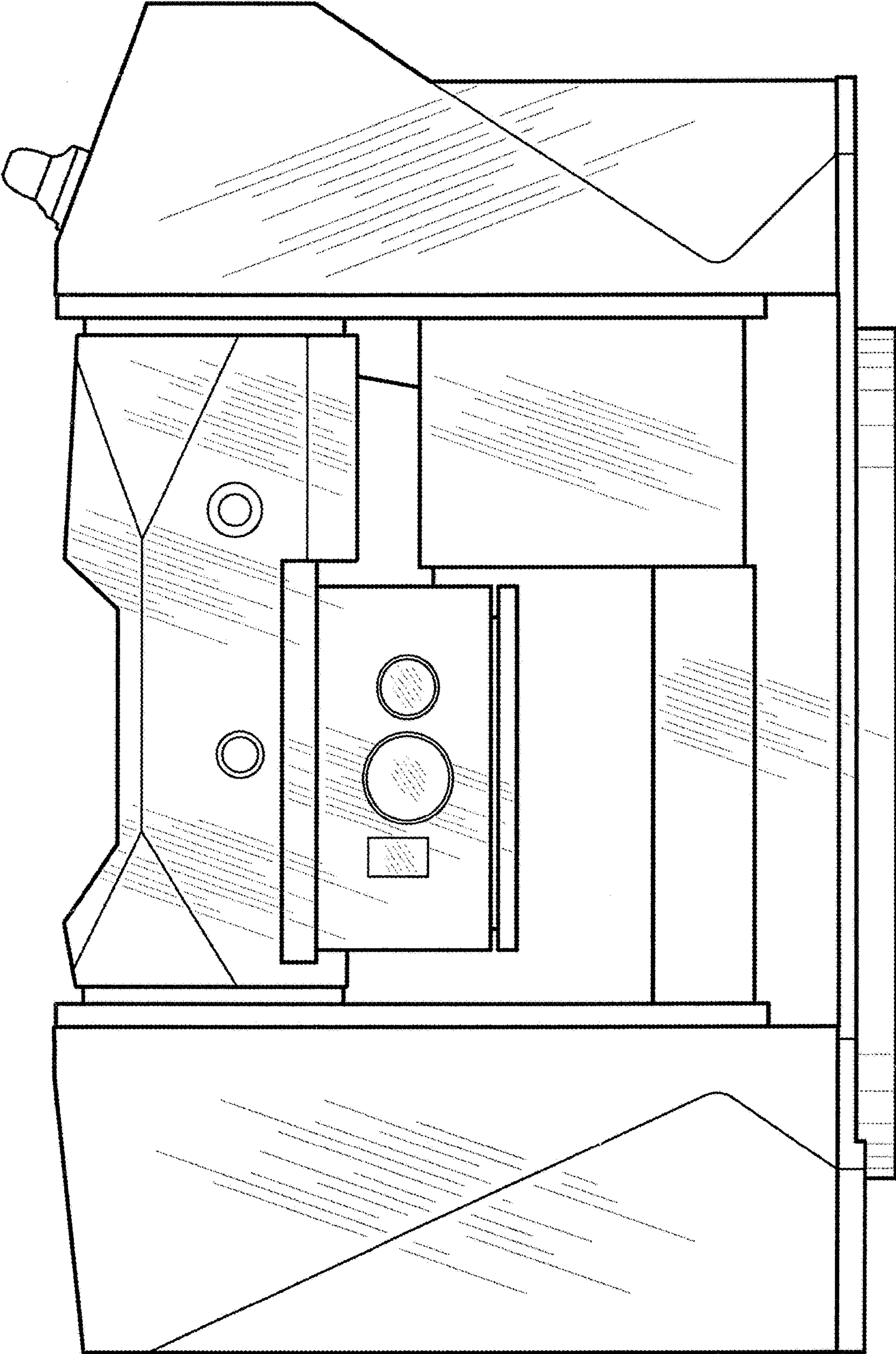


FIG. 1

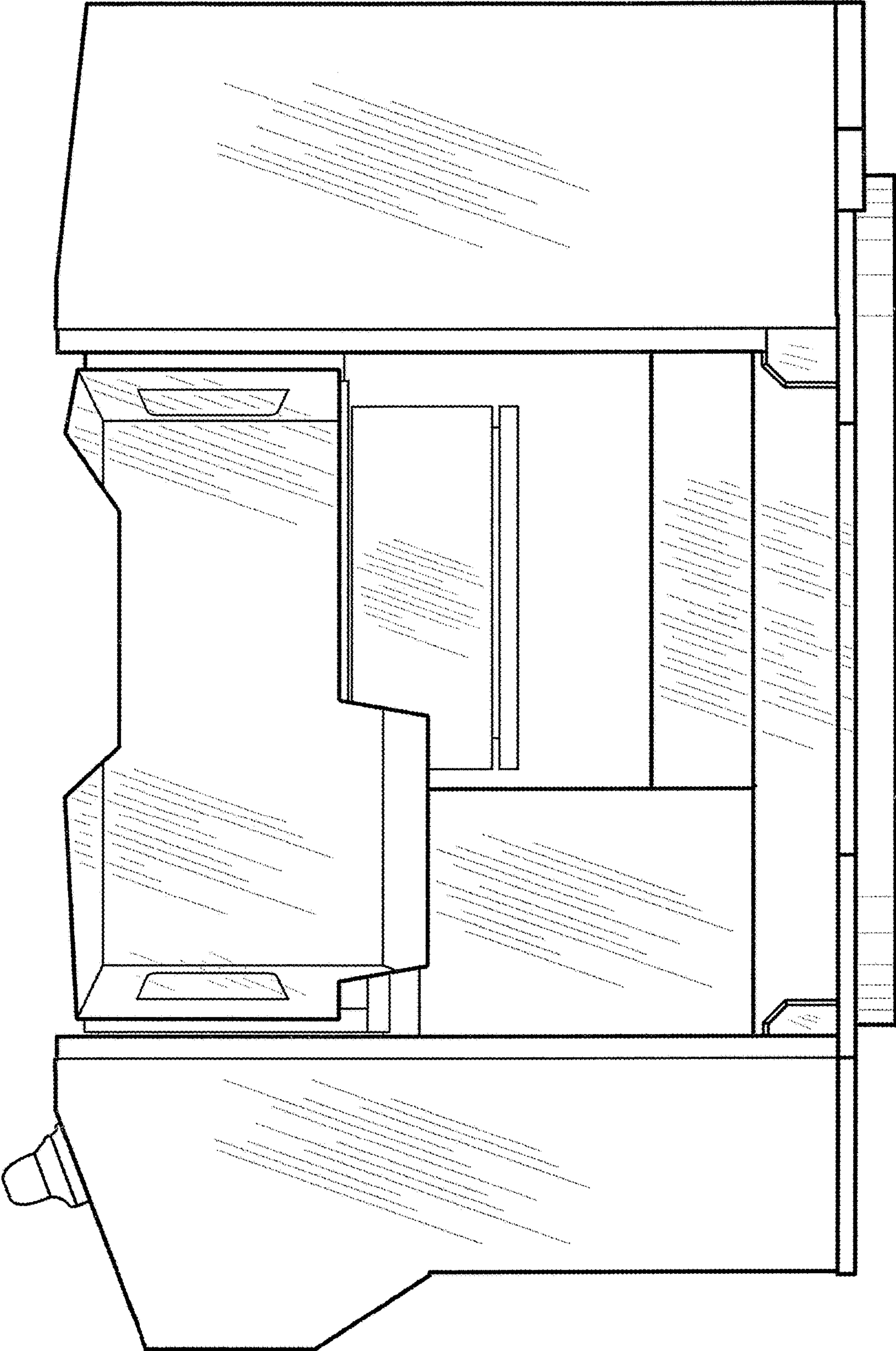


FIG. 2

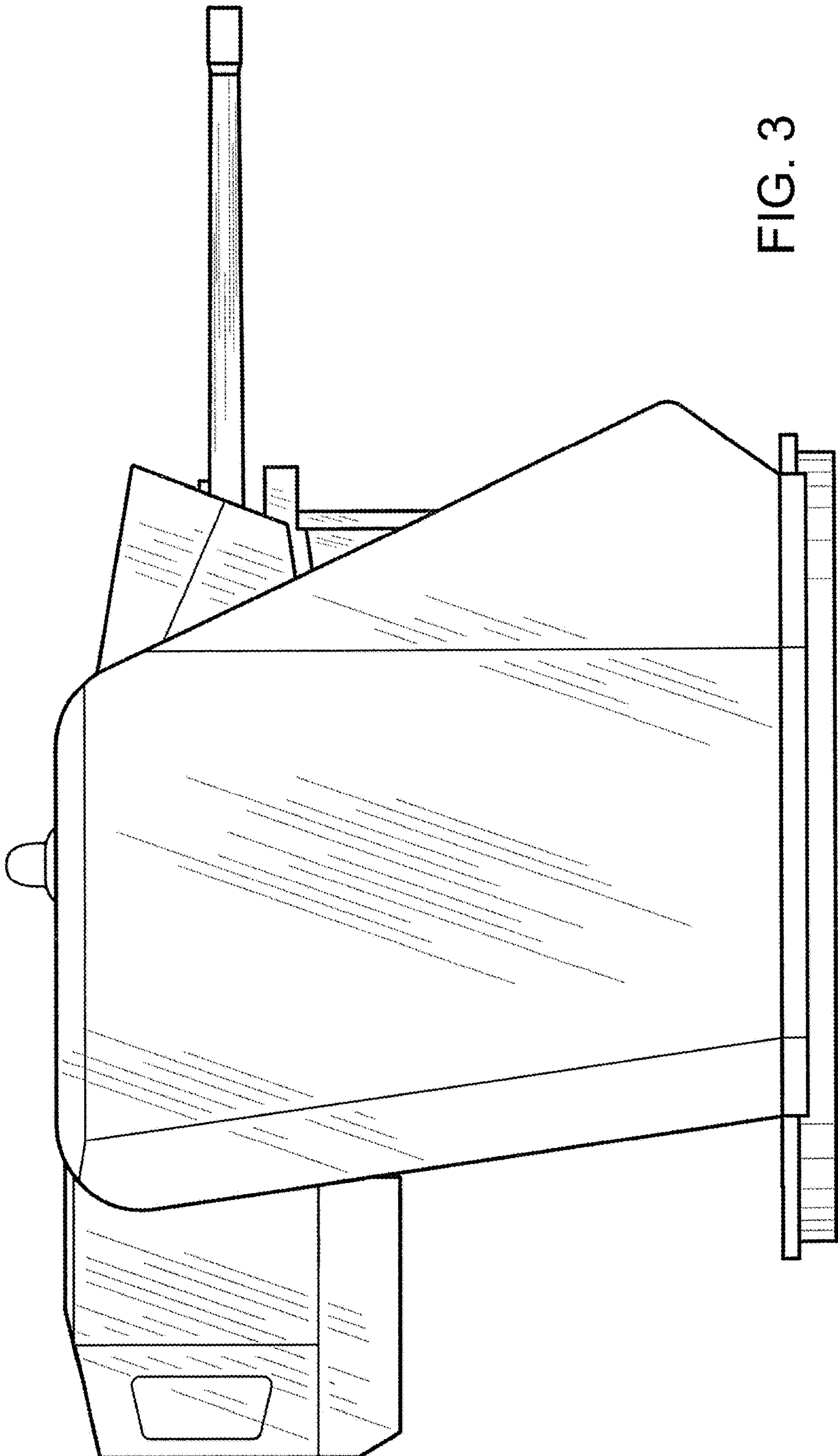


FIG. 3

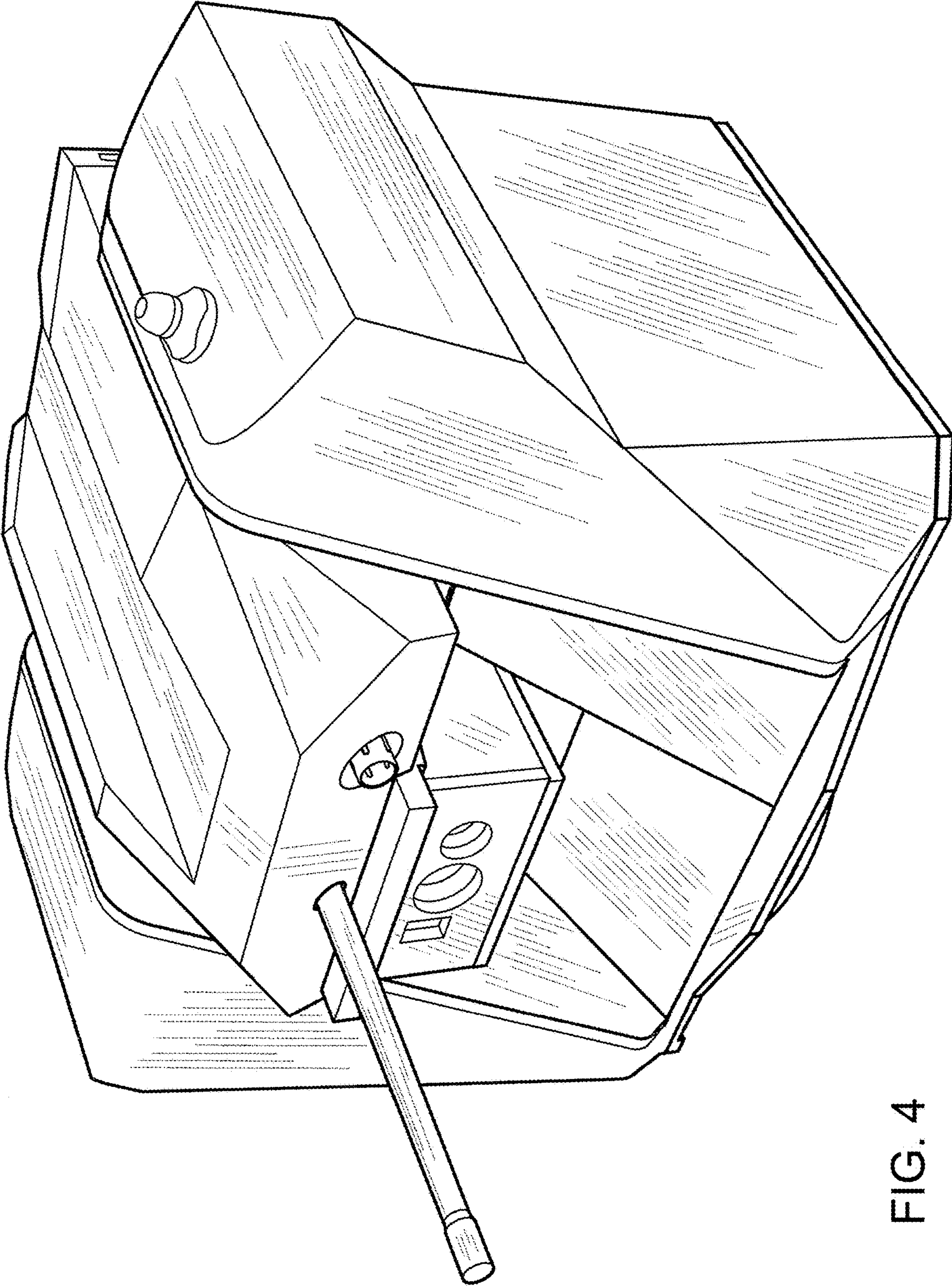


FIG. 4

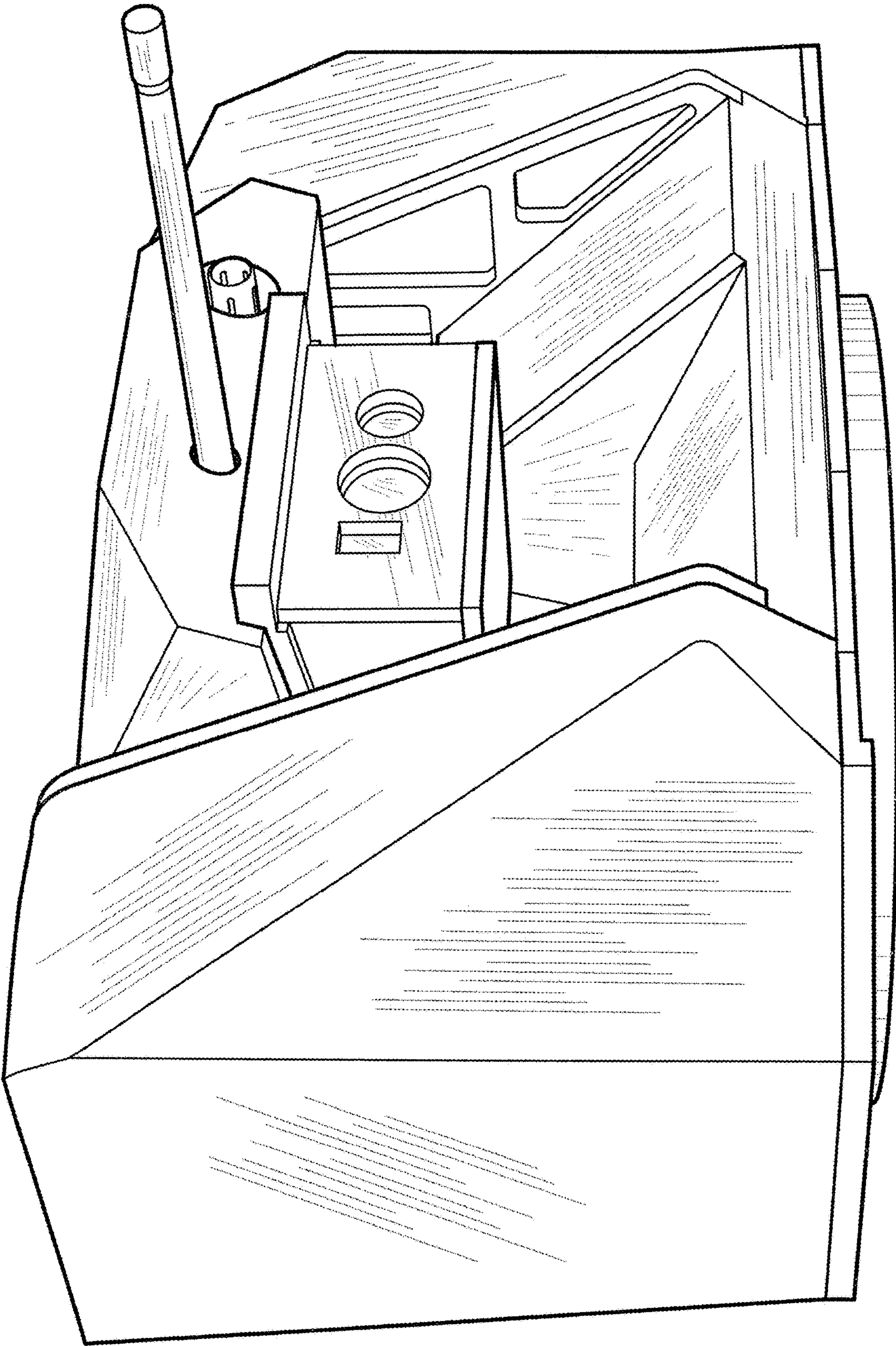


FIG. 5

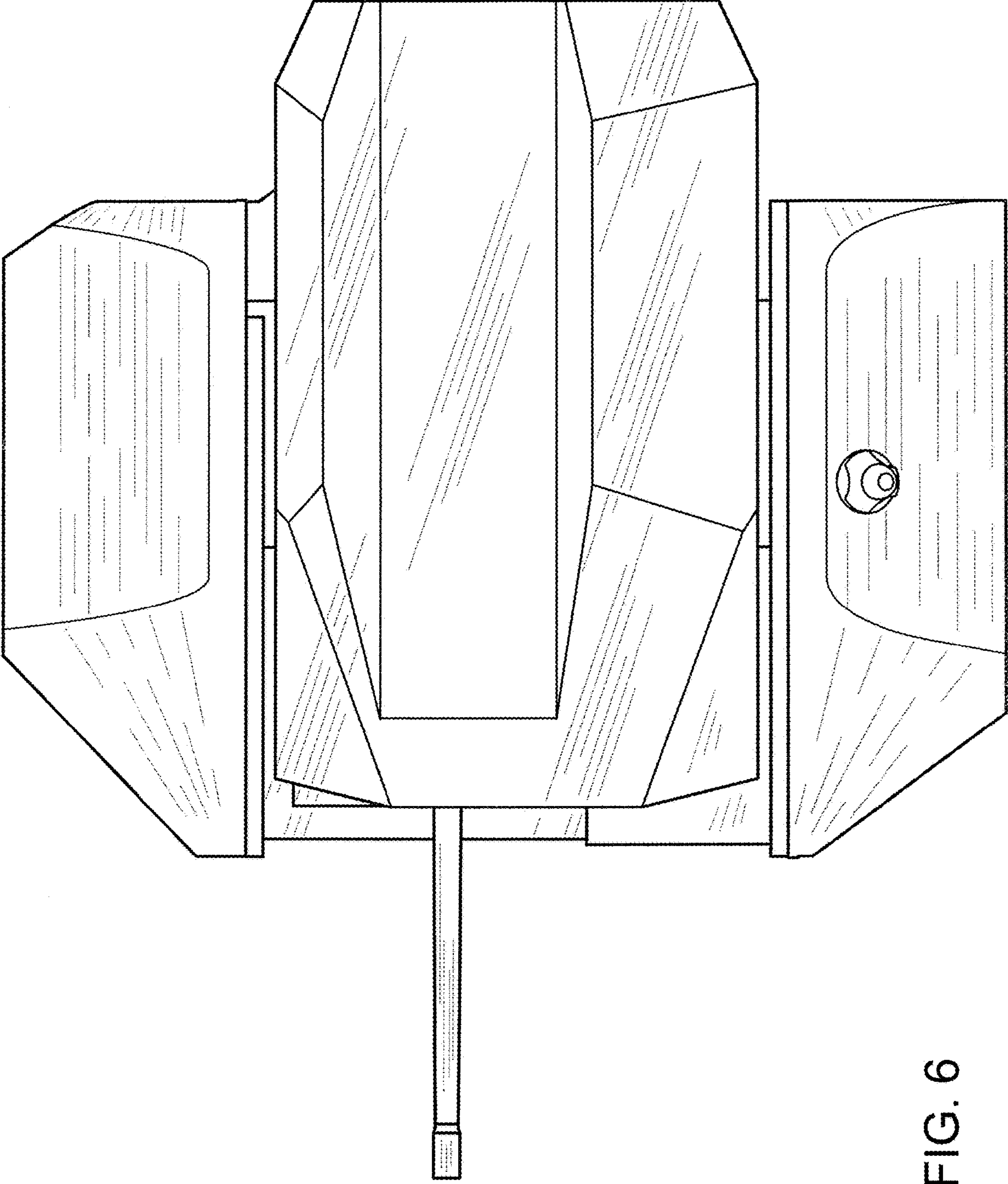


FIG. 6