



US00D900674S

(12) **United States Design Patent** (10) **Patent No.:** **US D900,674 S**  
**Lin** (45) **Date of Patent:** **\*\* Nov. 3, 2020**

(54) **CROWN FOR SLIDE FASTENER**  
(71) Applicant: **CHUNG CHWAN ENTERPRISE CO., LTD.**, Taoyuan (TW)  
(72) Inventor: **Yu-Pau Lin**, Taoyuan (TW)  
(73) Assignee: **CHUNG CHWAN ENTERPRISE CO., LTD.**, Taoyuan (TW)

(\*\*) Term: **15 Years**  
(21) Appl. No.: **29/690,219**

(22) Filed: **May 7, 2019**

(30) **Foreign Application Priority Data**

Jan. 30, 2019 (TW) ..... 108300659

(51) **LOC (12) Cl.** ..... **02-07**

(52) **U.S. Cl.**  
USPC ..... **D11/221**

(58) **Field of Classification Search**  
USPC ..... D11/200, 201, 221; D2/607, 732  
CPC ..... A44B 19/00; A44B 19/10; A44B 19/26;  
A44B 19/262; A44B 19/32; A44B 19/24;  
A44B 19/308; A44B 19/36; A44B 19/42;  
A44B 19/34; A44B 19/04; A44B 19/60;  
A44B 19/06; A44B 19/403; A44B 19/02;  
A44B 19/08; A44B 19/12; A44B 19/38  
See application file for complete search history.

(56) **References Cited**

**U.S. PATENT DOCUMENTS**

D497,835 S \* 11/2004 Yoneoka ..... D11/221  
7,257,869 B2 \* 8/2007 Lin ..... A44B 19/262  
24/421  
D579,379 S \* 10/2008 Lin ..... D11/221  
7,464,445 B1 \* 12/2008 Lin ..... A44B 19/308  
24/415  
9,370,225 B1 \* 6/2016 Lin ..... A44B 19/262

D830,895 S \* 10/2018 Hung ..... D11/221  
D850,324 S \* 6/2019 Hung ..... D11/221  
D880,355 S \* 4/2020 Hung ..... D11/221  
2004/0078942 A1 \* 4/2004 Hamada ..... A44B 19/308  
24/436  
2007/0163092 A1 \* 7/2007 Lin ..... A44B 19/262  
24/415  
2009/0313793 A1 \* 12/2009 Lin ..... A44B 19/26  
24/429  
2012/0131768 A1 \* 5/2012 Lin ..... A44B 19/26  
24/415  
2014/0338158 A1 \* 11/2014 Lin ..... A44B 19/26  
24/431  
2016/0157566 A1 \* 6/2016 Lin ..... A44B 19/262  
24/429

(Continued)

*Primary Examiner* — Michelle E. Wilson  
*Assistant Examiner* — Tracey J Bell  
(74) *Attorney, Agent, or Firm* — Li & Cai Intellectual Property Office

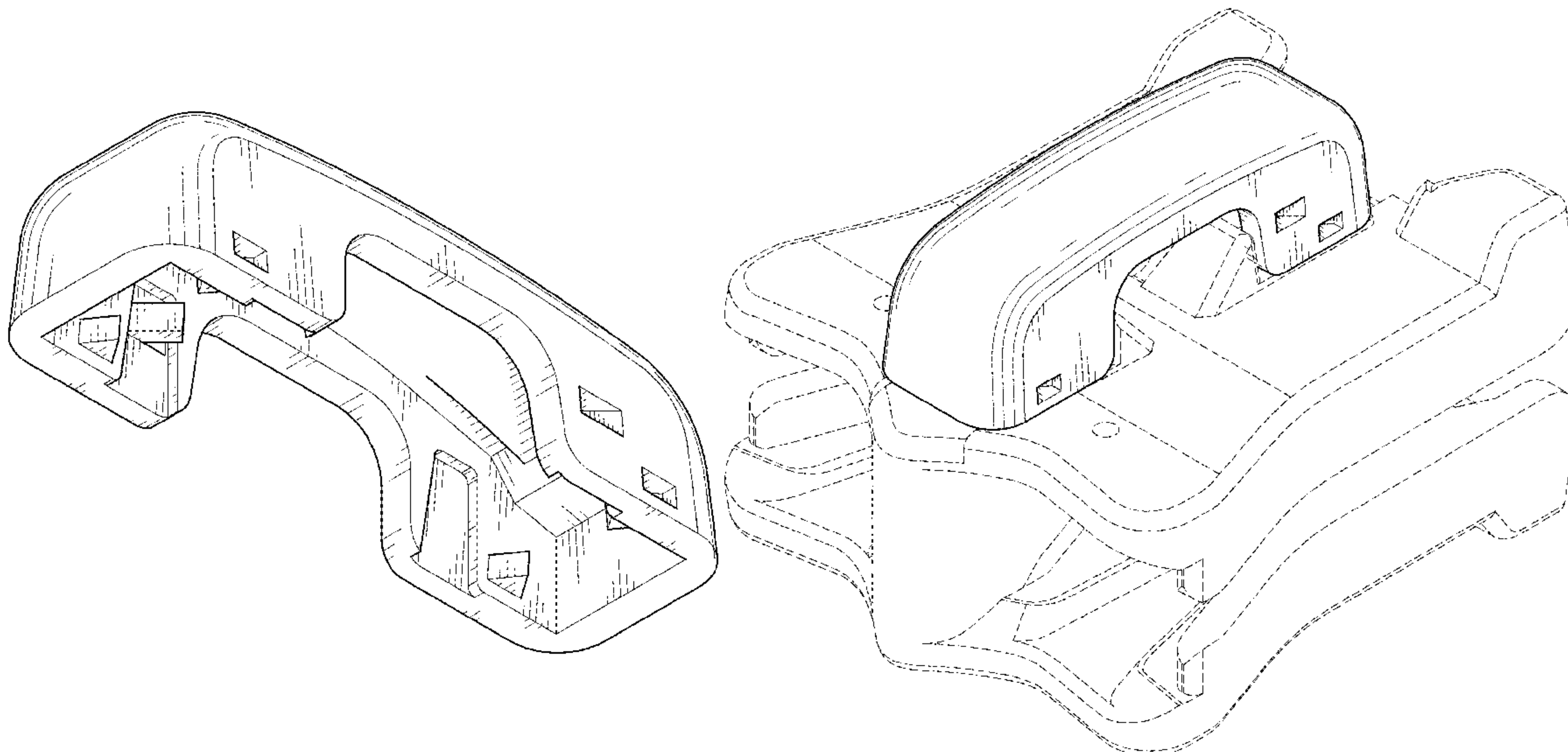
(57) **CLAIM**

The ornamental design for a crown for a slide fastener, as shown and described.

**DESCRIPTION**

FIG. 1 is a front and top perspective view of a crown for a slide fastener showing my new design;  
FIG. 2 is a front elevational view thereof;  
FIG. 3 is a rear elevational view thereof;  
FIG. 4 is a left side elevational view thereof;  
FIG. 5 is a right side elevational view thereof;  
FIG. 6 is a top plan view thereof;  
FIG. 7 is a bottom plan view thereof;  
FIG. 8 is a rear and bottom perspective view thereof; and,  
FIG. 9 is a front and top perspective view of the crown for a slide fastener shown in a state of use.  
The broken lines are shown for the purpose of illustrating environmental structure that forms no part of the claimed design.

**1 Claim, 6 Drawing Sheets**



(56)

**References Cited**

U.S. PATENT DOCUMENTS

2019/0159556 A1\* 5/2019 Lin ..... A44B 19/26  
2020/0000182 A1\* 1/2020 Lin ..... A44B 19/308  
2020/0205529 A1\* 7/2020 Lin ..... B21D 53/54

\* cited by examiner

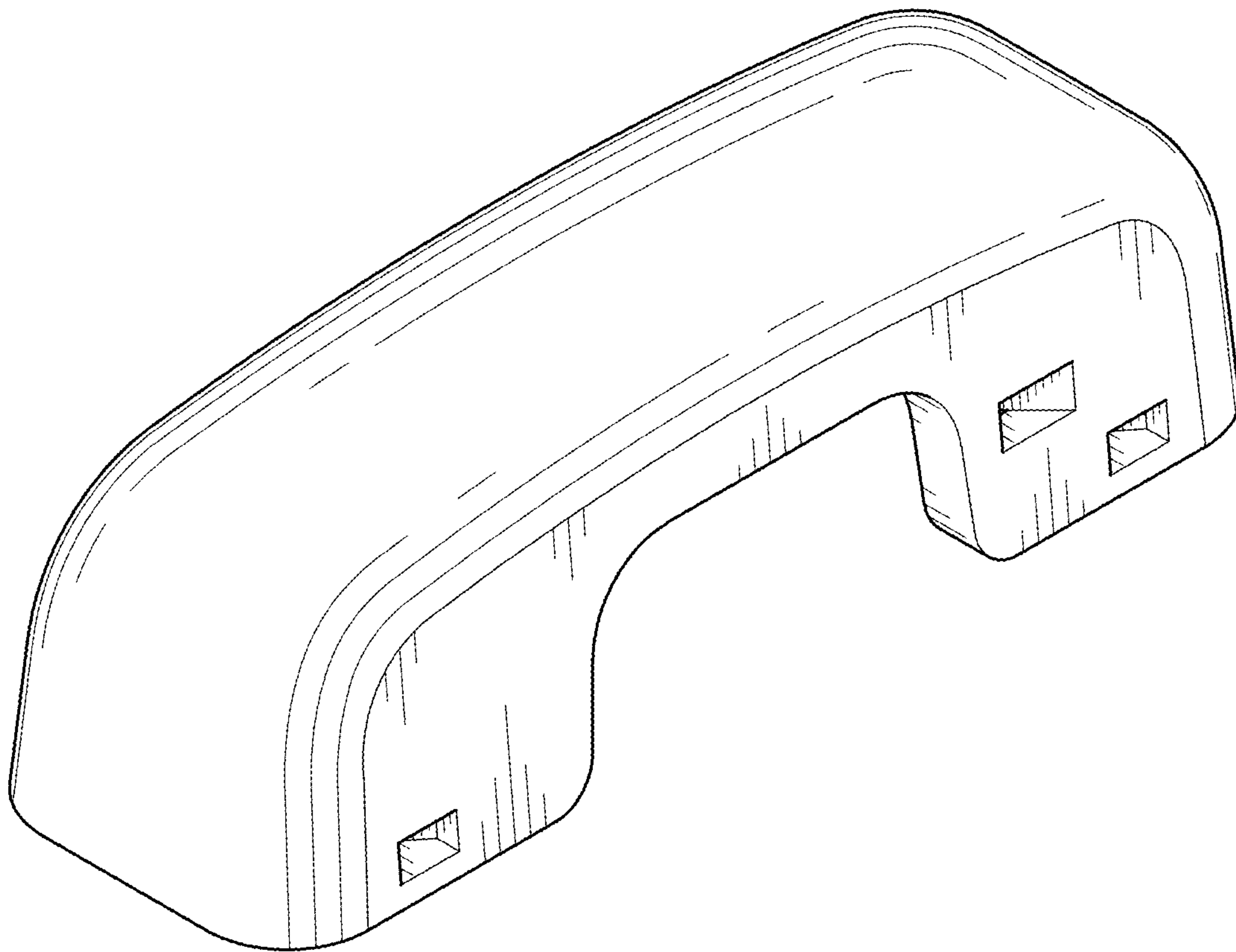


FIG. 1

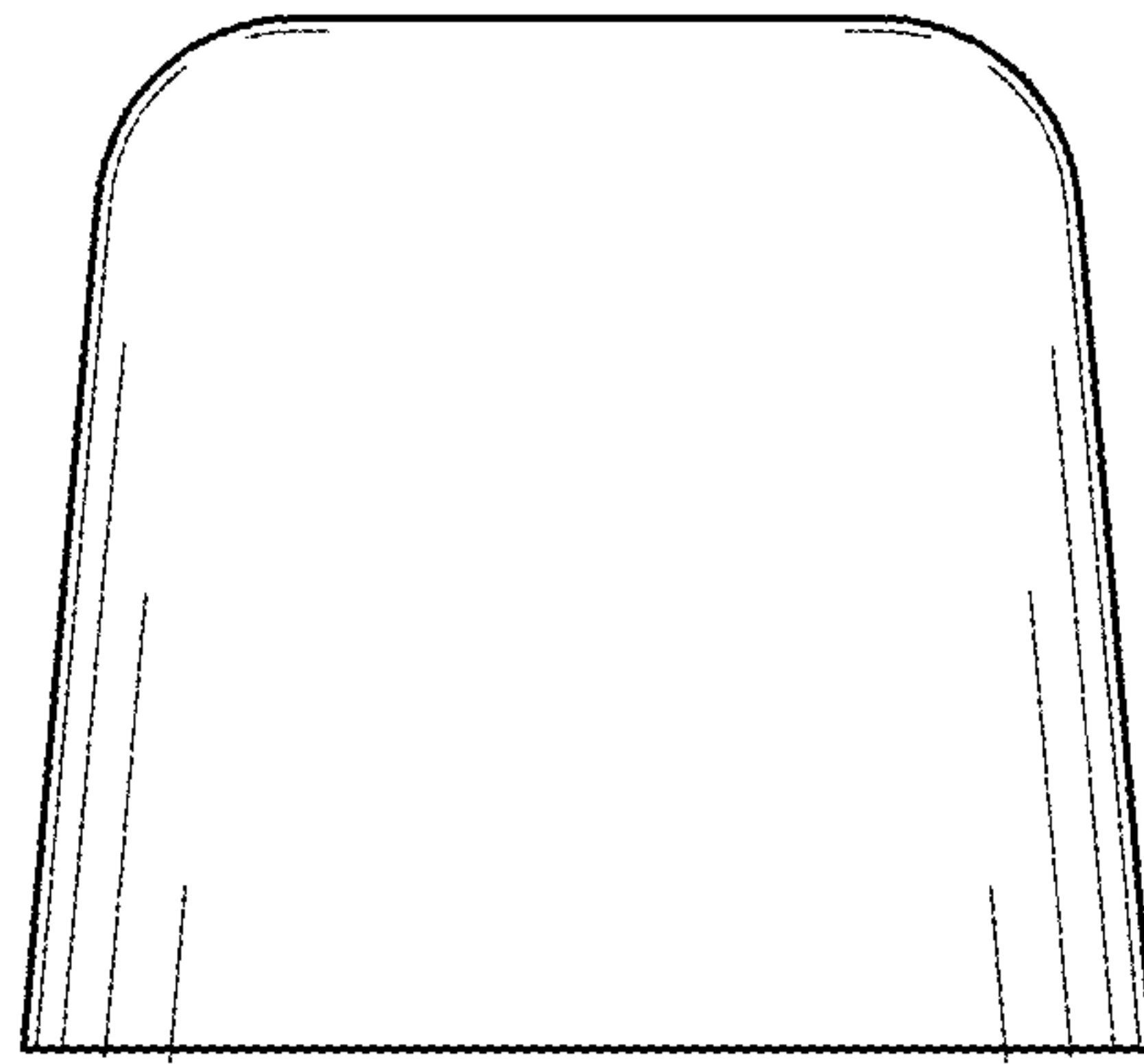


FIG. 2

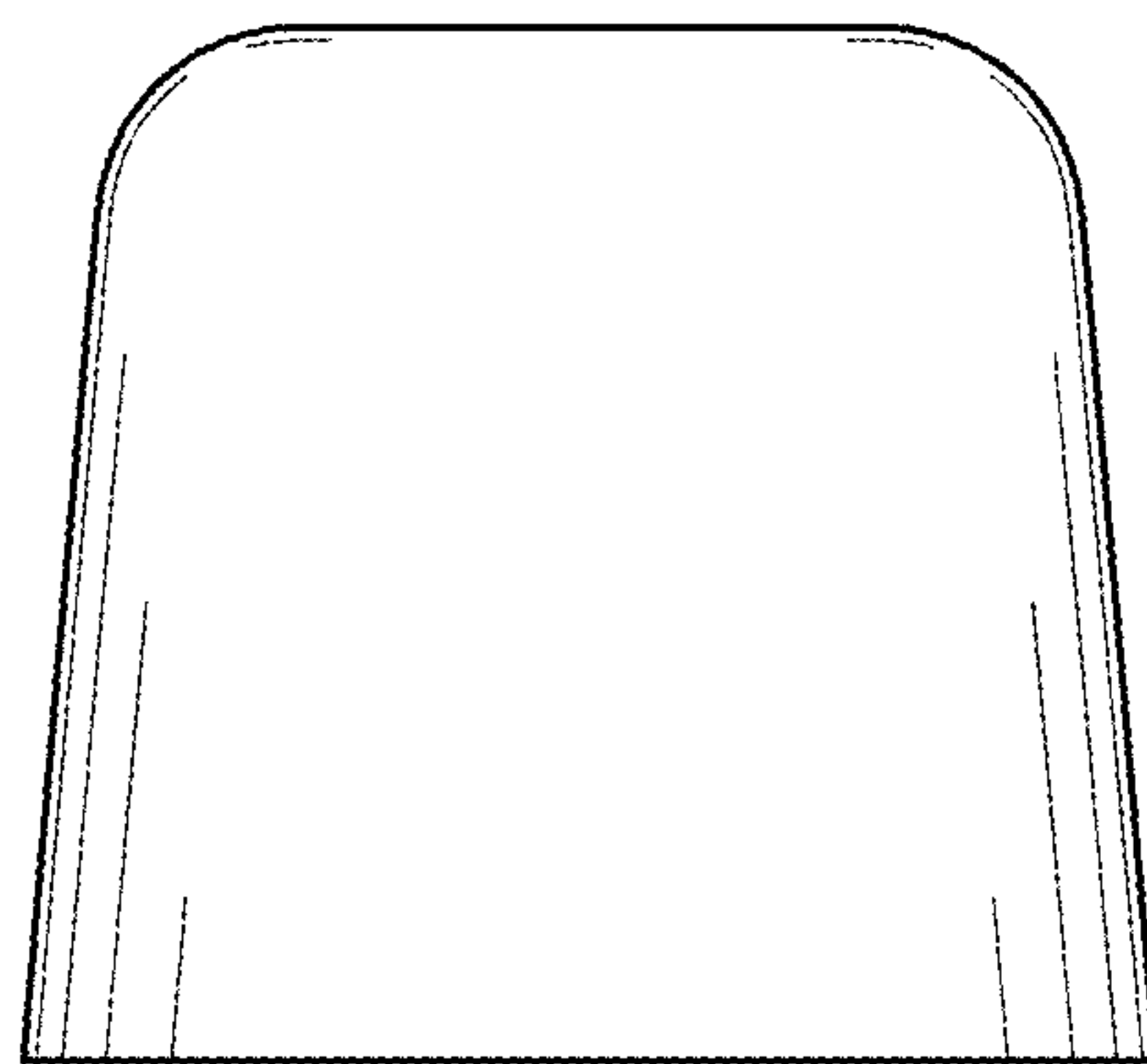


FIG. 3

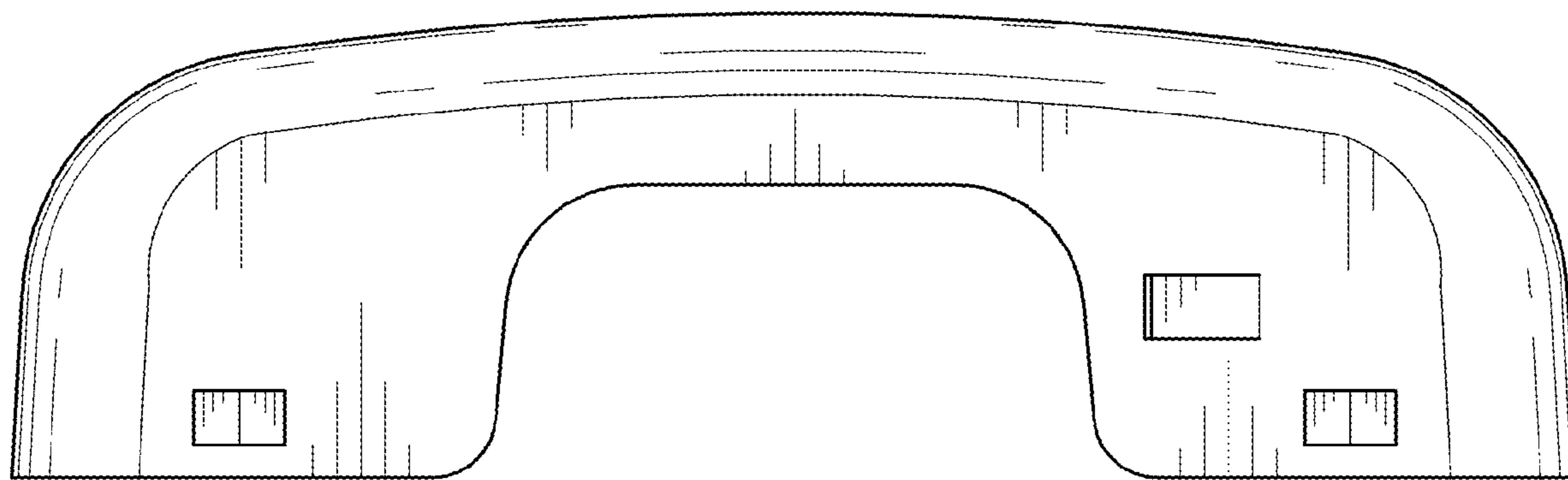


FIG. 4

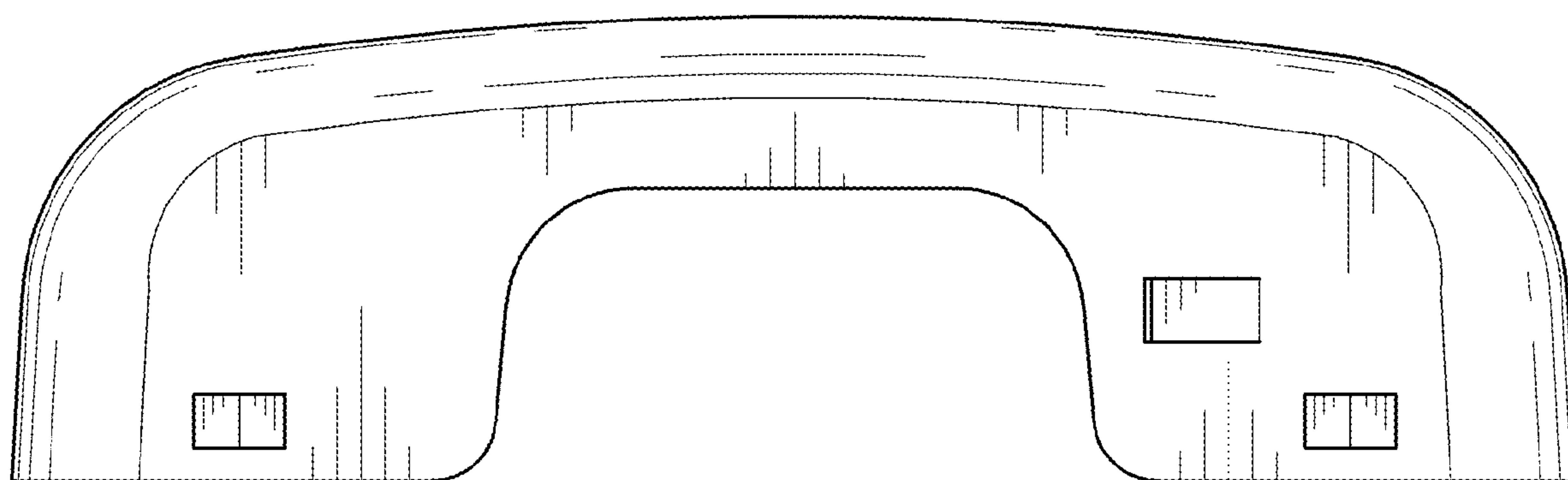


FIG. 5

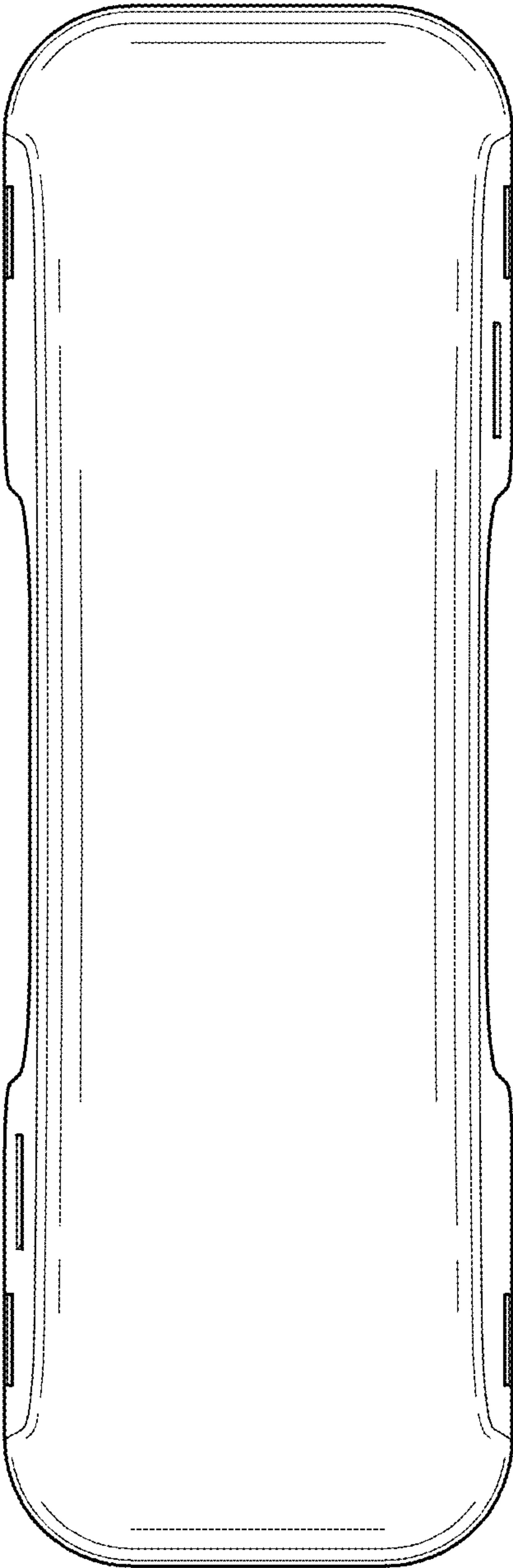


FIG. 6

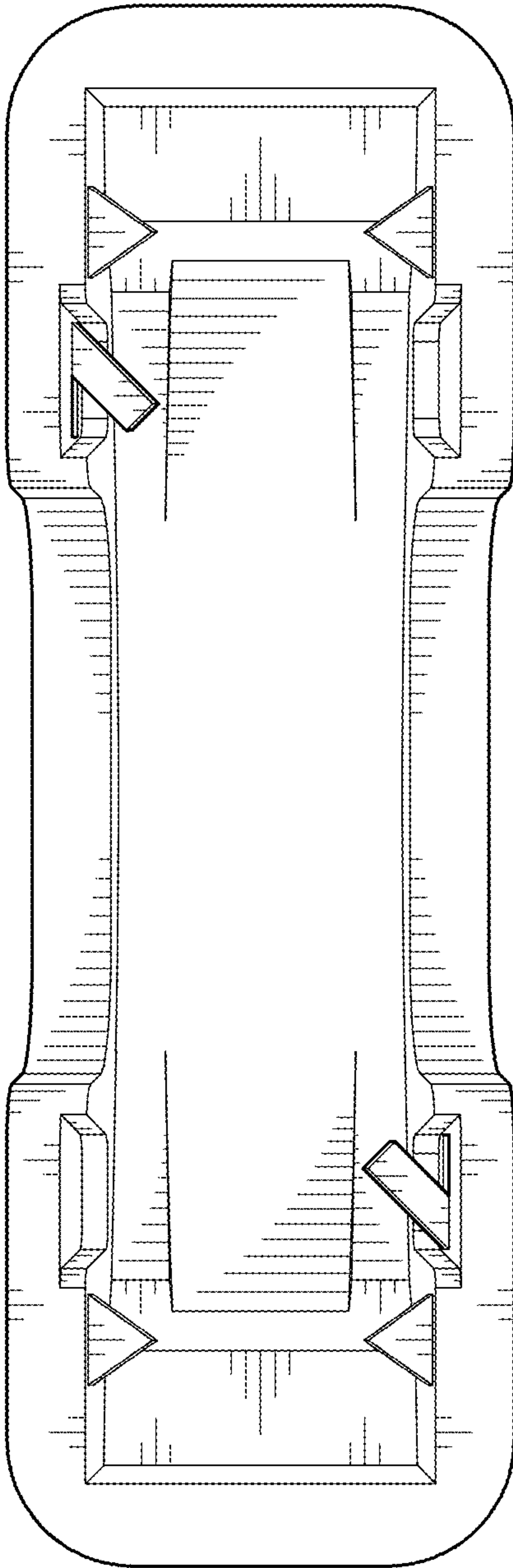


FIG. 7



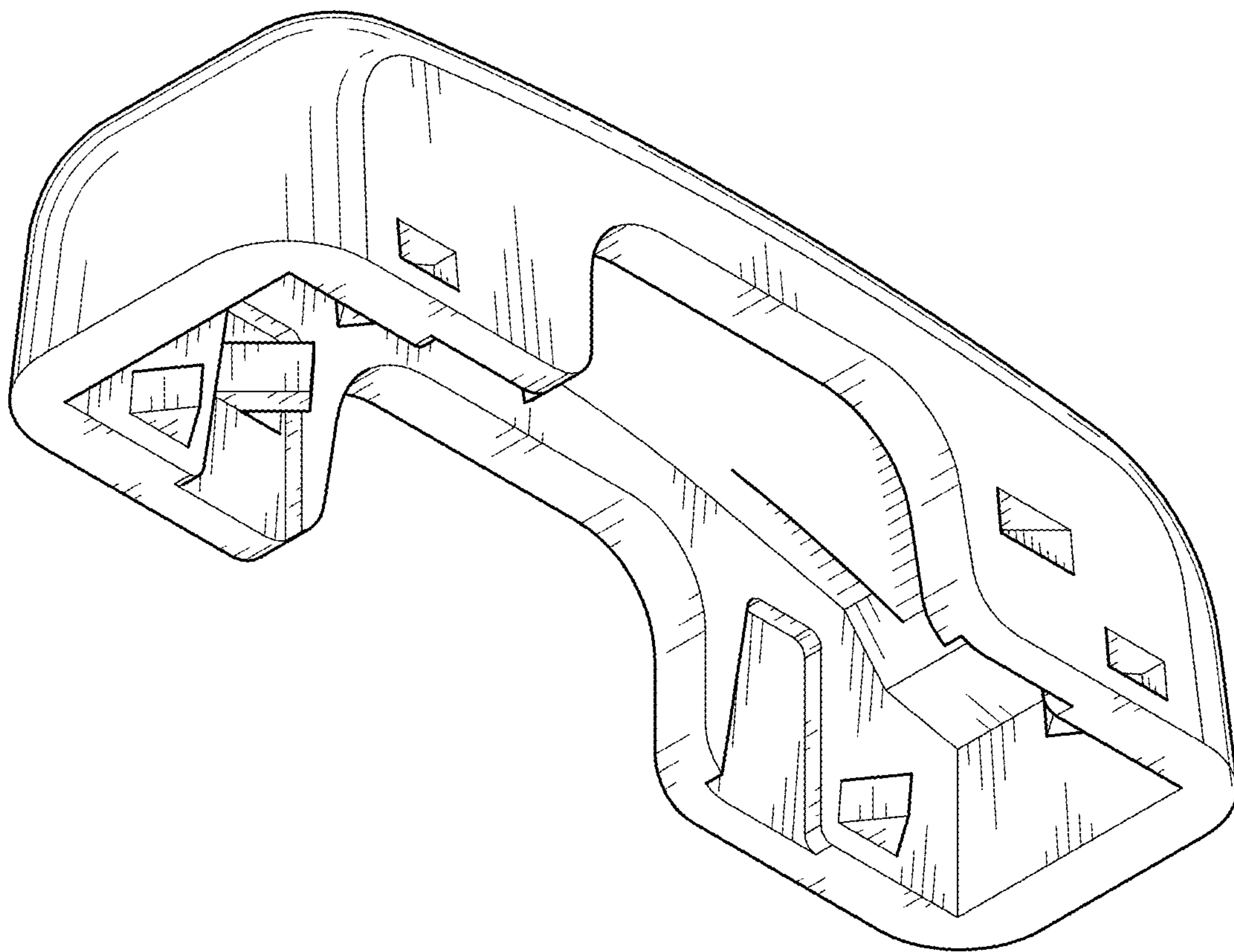


FIG. 8

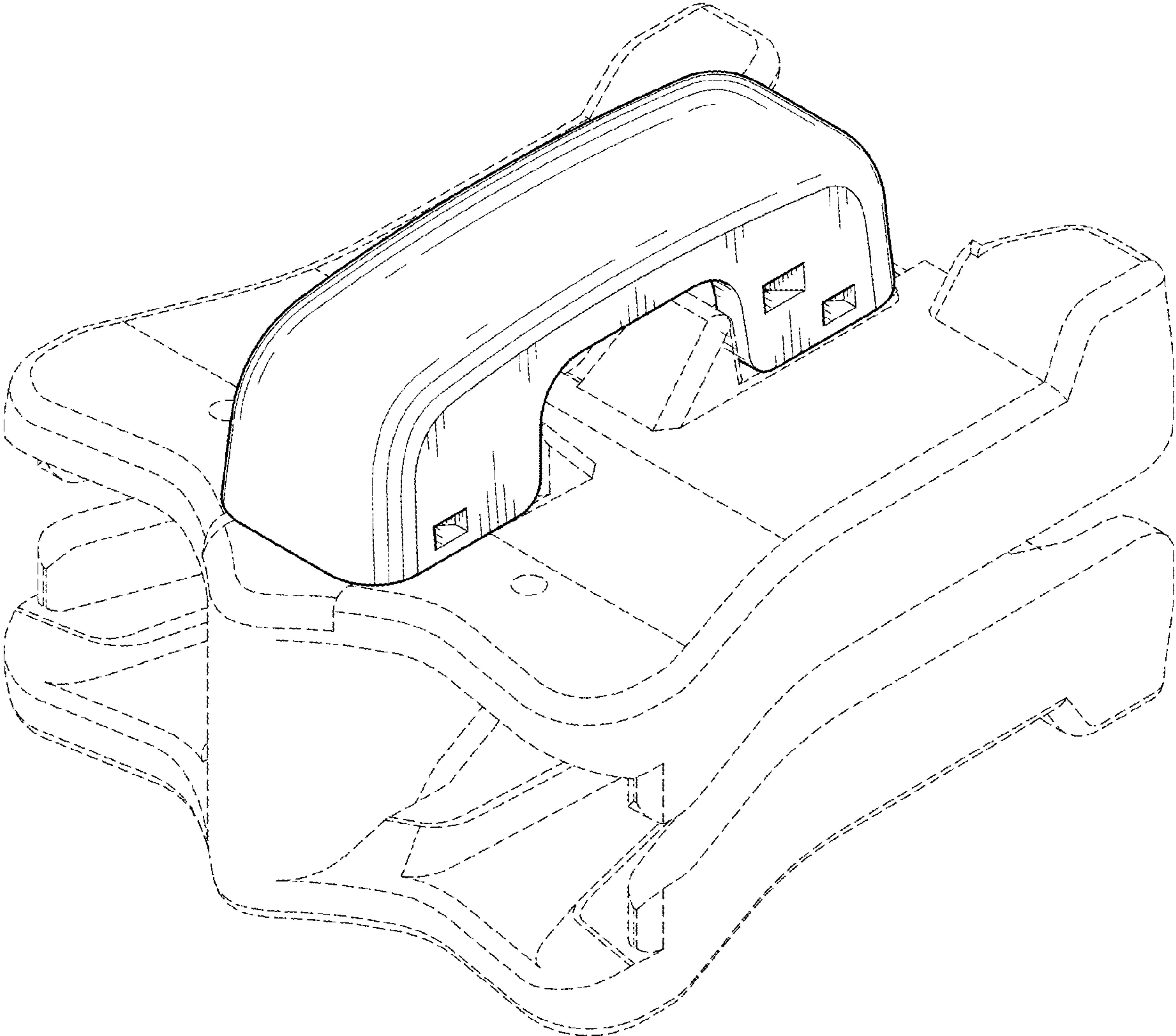


FIG. 9