



US00D900673S

(12) **United States Design Patent** (10) **Patent No.:** **US D900,673 S**  
**Chou** (45) **Date of Patent:** **\*\* Nov. 3, 2020**

(54) **BUCKLE**  
(71) Applicant: **Terry Chou**, Tainan (CN)  
(72) Inventor: **Terry Chou**, Tainan (CN)  
(\*\*) Term: **15 Years**  
(21) Appl. No.: **29/694,729**  
(22) Filed: **Jun. 13, 2019**  
(51) **LOC (12) Cl.** ..... **02-07**  
(52) **U.S. Cl.**  
USPC ..... **D11/212**  
(58) **Field of Classification Search**  
USPC ..... D21/804; D8/44, 349, 356;  
D11/200-241; D16/311  
CPC ... A63B 33/00; A63B 33/002; A44B 17/0088;  
A44B 13/0017  
See application file for complete search history.

(56) **References Cited**  
U.S. PATENT DOCUMENTS  
2,643,431 A \* 6/1953 Schwarz ..... A41F 15/002  
24/200  
D254,939 S \* 5/1980 Lober ..... D11/208  
4,389,756 A \* 6/1983 Kasama ..... A44B 11/10  
24/171  
D272,296 S \* 1/1984 Ikeda ..... D11/218  
5,894,606 A \* 4/1999 Chiang ..... A61F 9/026  
2/426  
D666,942 S \* 9/2012 Iannello ..... D11/218  
2006/0026804 A1\* 2/2006 Lee ..... A63B 33/002  
24/198

2007/0089277 A1\* 4/2007 Bacalso ..... A44B 11/2503  
24/200  
2012/0304368 A1\* 12/2012 Waller ..... A63B 33/002  
2/431  
2014/0096313 A1\* 4/2014 Waller ..... B63C 11/12  
2/452

**FOREIGN PATENT DOCUMENTS**

GB 2570341 A \* 7/2019 ..... A44B 11/04  
\* cited by examiner

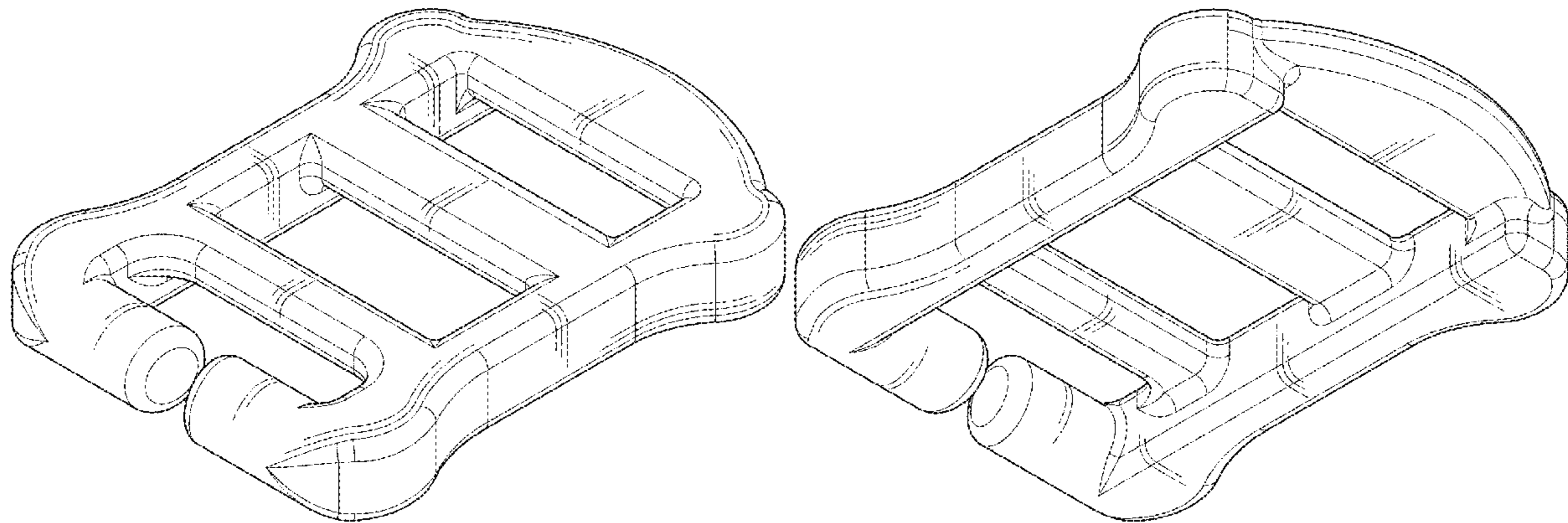
*Primary Examiner* — Michelle E. Wilson  
*Assistant Examiner* — Tracey J Bell  
(74) *Attorney, Agent, or Firm* — Karin L. Williams; Alan D. Kamrath; Mayer & Williams PC

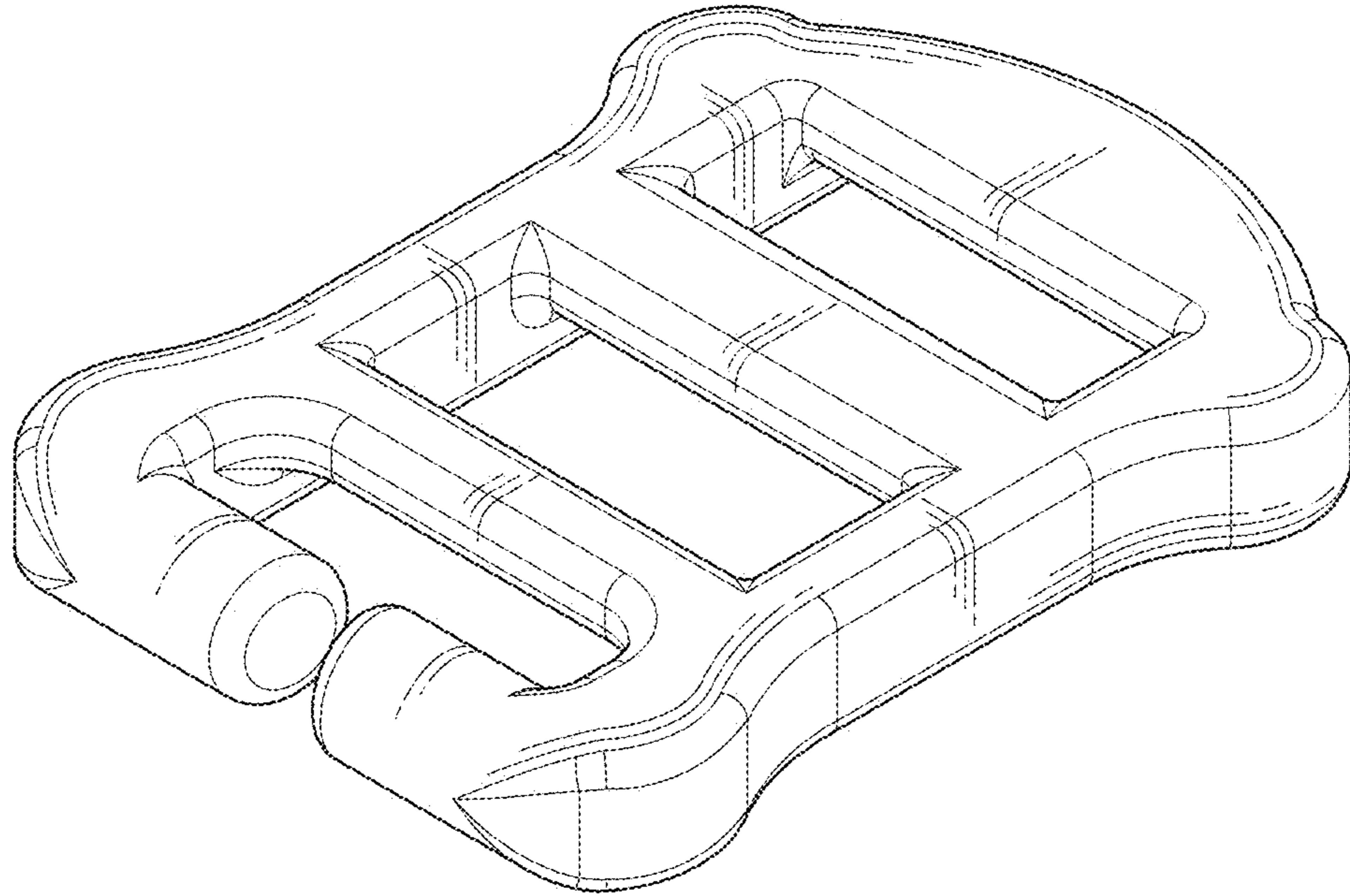
(57) **CLAIM**  
The ornamental design for a buckle, as shown and described.

**DESCRIPTION**

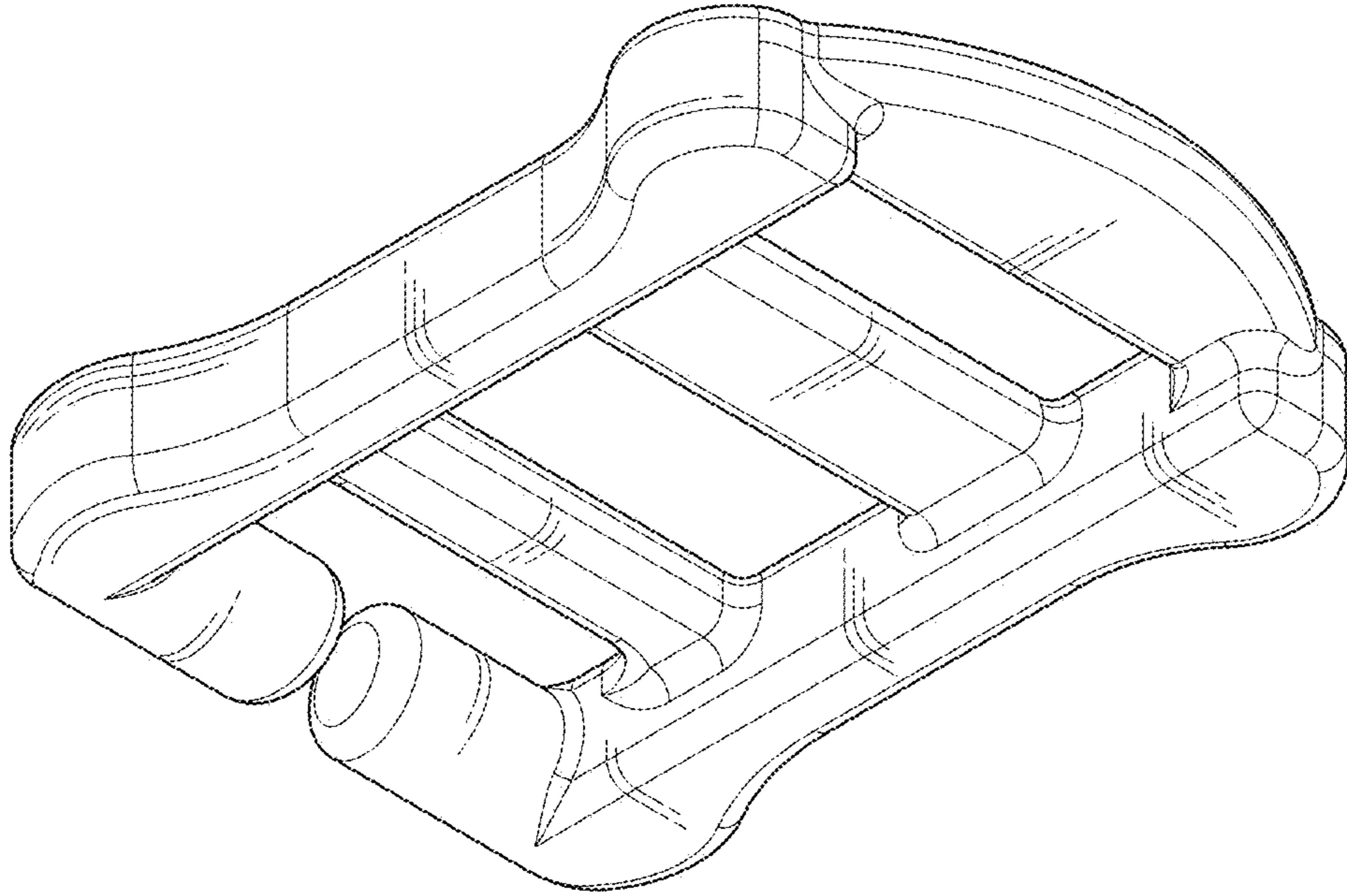
FIG. 1 is a perspective view of a buckle showing our new design;  
FIG. 2 is an another perspective view thereof;  
FIG. 3 is a front elevation view thereof;  
FIG. 4 is a rear elevation view thereof;  
FIG. 5 is a left side elevation view thereof;  
FIG. 6 is a right side elevation view thereof;  
FIG. 7 is a top plan view thereof;  
FIG. 8 is a bottom plan view thereof; and,  
FIG. 9 is a perspective view thereof showing the buckle in an environment in which it may be used.  
The broken lines shown in the drawings depict environmental subject matter that forms no part of the claimed design.

**1 Claim, 9 Drawing Sheets**





F I G . 1



F I G . 2

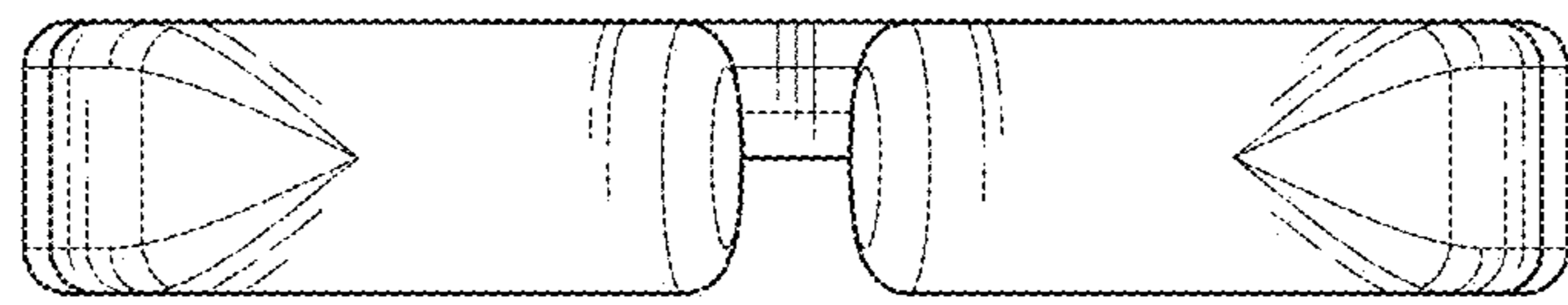


FIG. 3

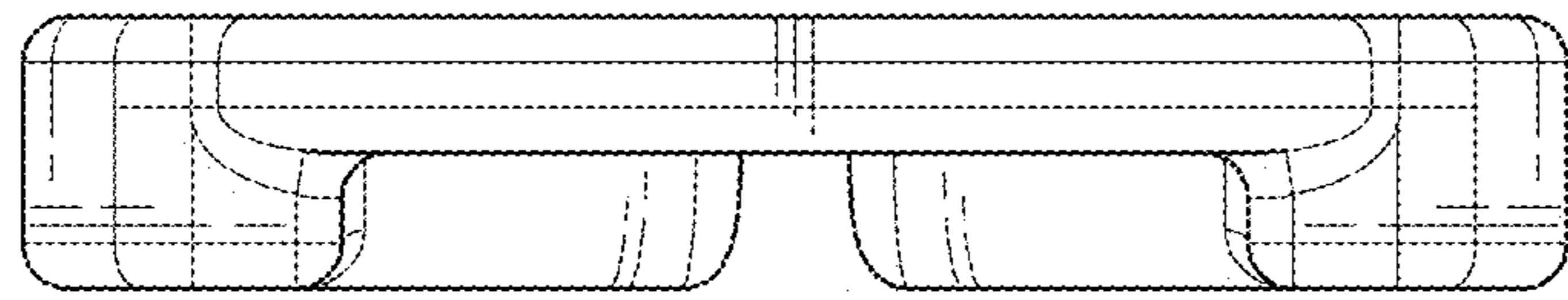


FIG. 4

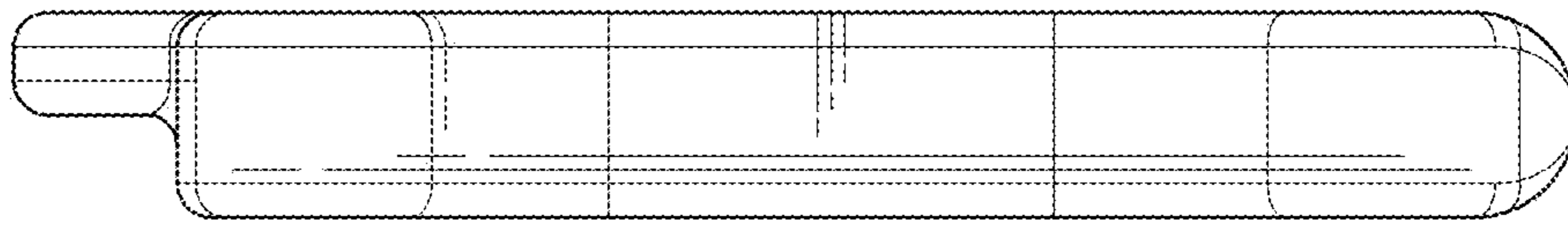


FIG. 5

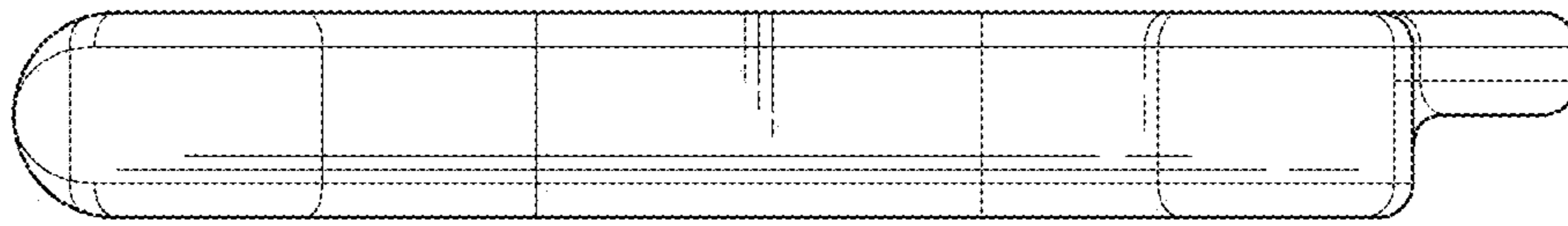


FIG. 6



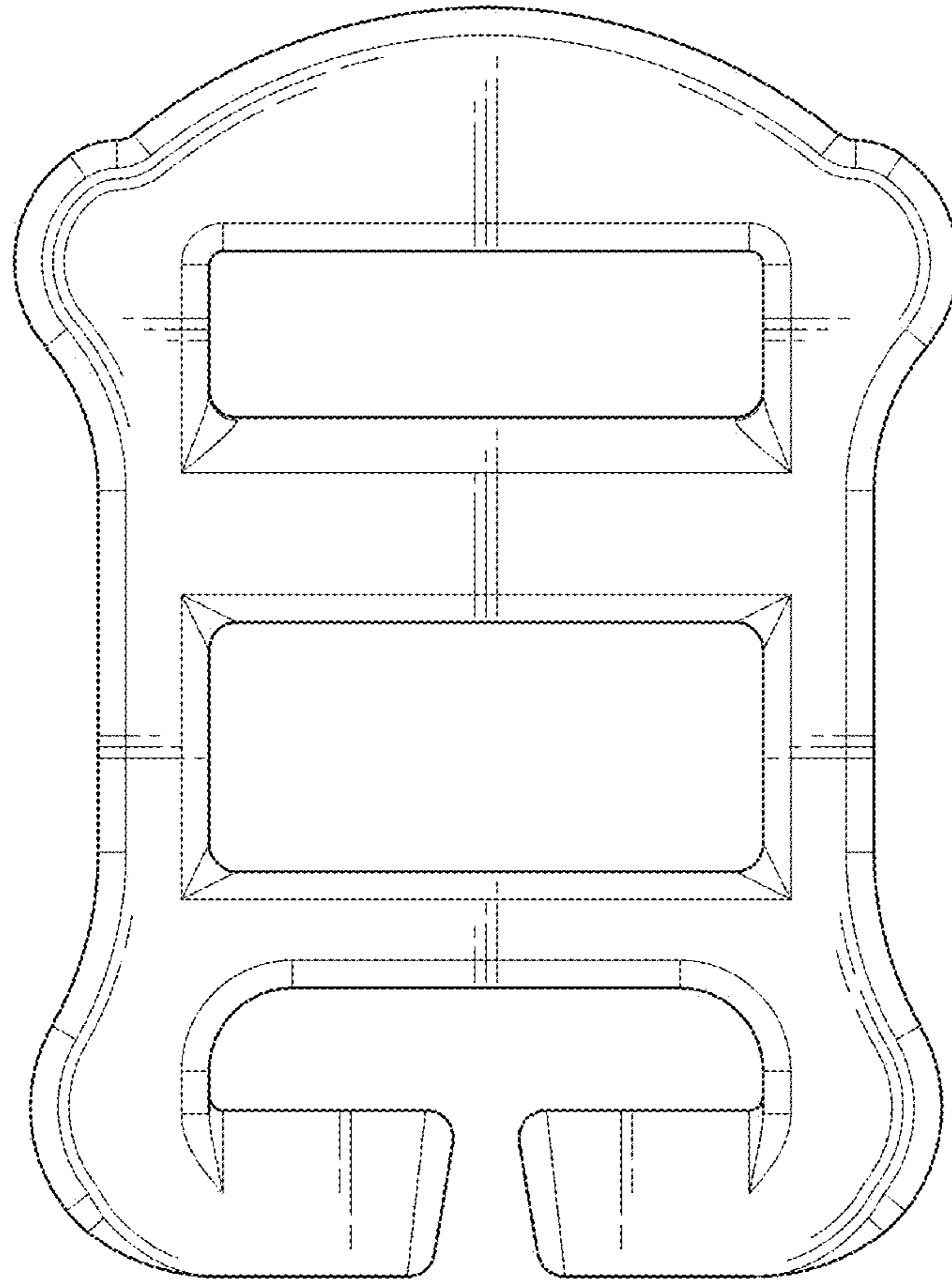


FIG. 7



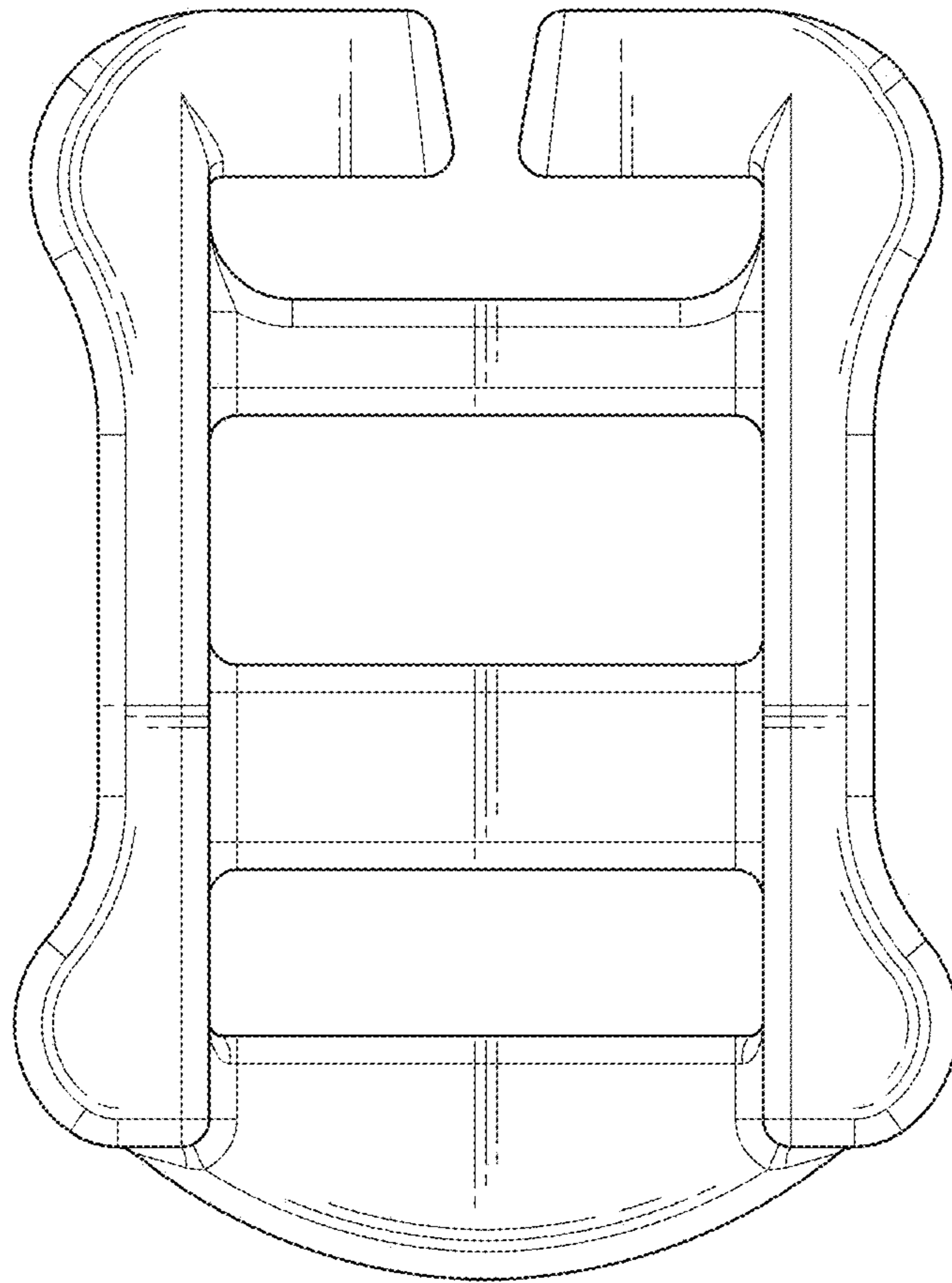


FIG. 8

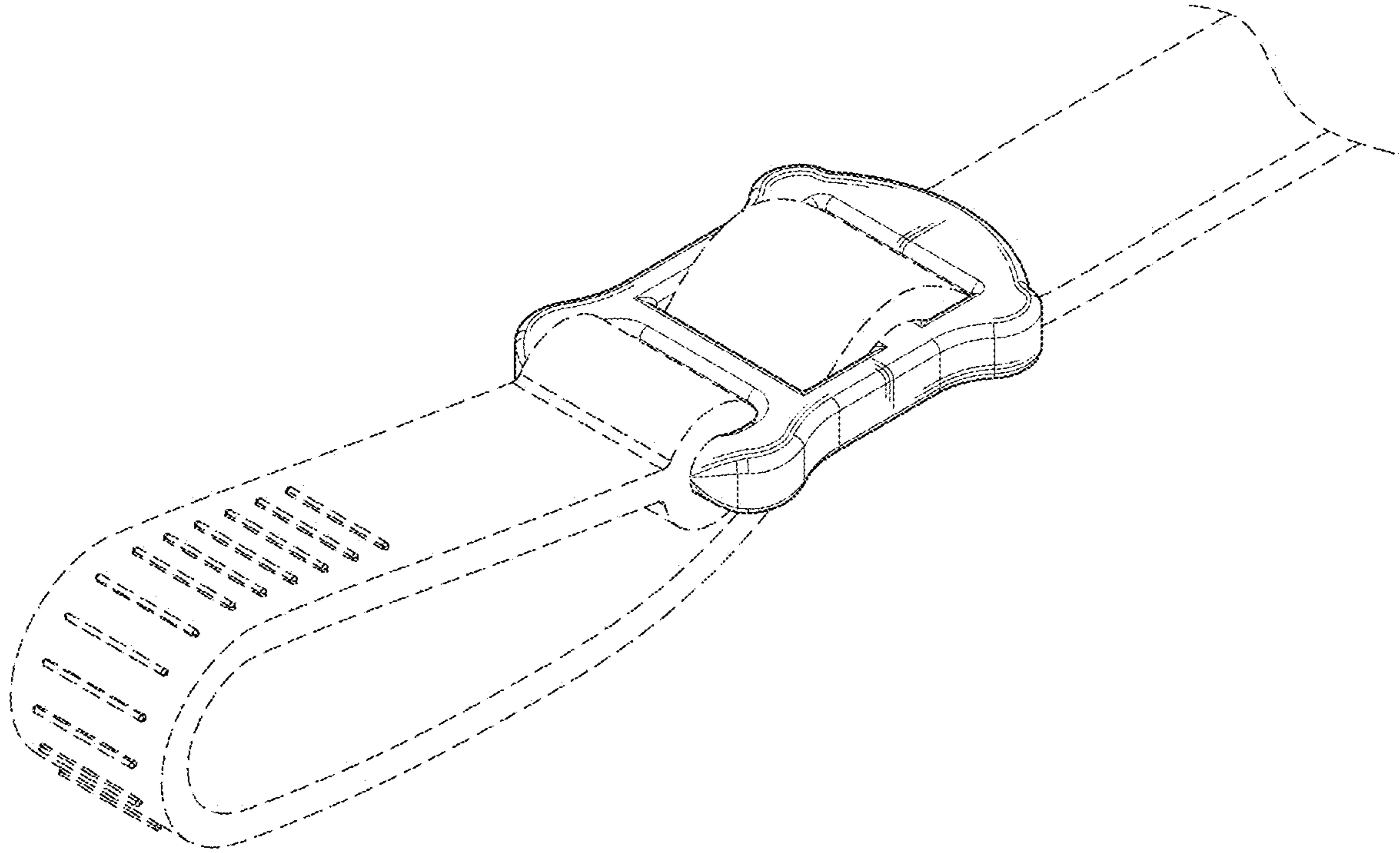


FIG. 9