



US00D900668S

(12) **United States Design Patent** (10) **Patent No.:** **US D900,668 S**
Shah (45) **Date of Patent:** **** Nov. 3, 2020**

(54) **PRECIOUS STONE SETTING**
(71) Applicant: **KGS Jewels Inc.**, New York, NY (US)
(72) Inventor: **Pranav Shah**, New York, NY (US)
(73) Assignee: **KGS JEWELS INC.**, New York, NY (US)
(**) Term: **15 Years**
(21) Appl. No.: **29/698,524**
(22) Filed: **Jul. 17, 2019**

D504,348 S * 4/2005 Kothari D11/91
D505,092 S 5/2005 Kothari
D505,093 S * 5/2005 Kothari D11/91
D544,809 S 6/2007 Shah
D549,128 S 8/2007 Kothari
D549,612 S 8/2007 Kothari
D584,184 S 1/2009 Dholakiya
D587,159 S 2/2009 Dholakiya
7,707,722 B1 5/2010 Kothari
D647,423 S 10/2011 Khimavat
D647,817 S 11/2011 Kothari
D655,219 S 3/2012 Kothari
D666,522 S 9/2012 Dholakiya
D666,523 S 9/2012 Dholakiya
D672,270 S 12/2012 Wong
D674,315 S 1/2013 Dholakiya
D674,316 S 1/2013 Dholakiya
D676,352 S 2/2013 Dholakiya
D676,785 S 2/2013 Kothari
D680,898 S 4/2013 Dholakiya
D682,139 S 5/2013 Kothari

Related U.S. Application Data

(62) Division of application No. 29/656,883, filed on Jul. 17, 2018, now Pat. No. Des. 891,978.
(51) **LOC (12) Cl.** **11-01**
(52) **U.S. Cl.**
USPC **D11/92**
(58) **Field of Classification Search**
USPC D11/1-3, 26, 34-37, 40, 41, 43, 79, 90, D11/91, 92
CPC A44C 1/00; A44C 17/00; A44C 17/001; A44C 17/002; A44C 17/005; A44C 17/006; A44C 17/007; A44C 17/02; A44C 17/04; A44C 9/00
See application file for complete search history.

(Continued)
Primary Examiner — Llorelys Martinez
(74) *Attorney, Agent, or Firm* — Ostrolenk Faber LLP

(57) **CLAIM**

The ornamental design for a precious stone setting, as shown and described.

DESCRIPTION

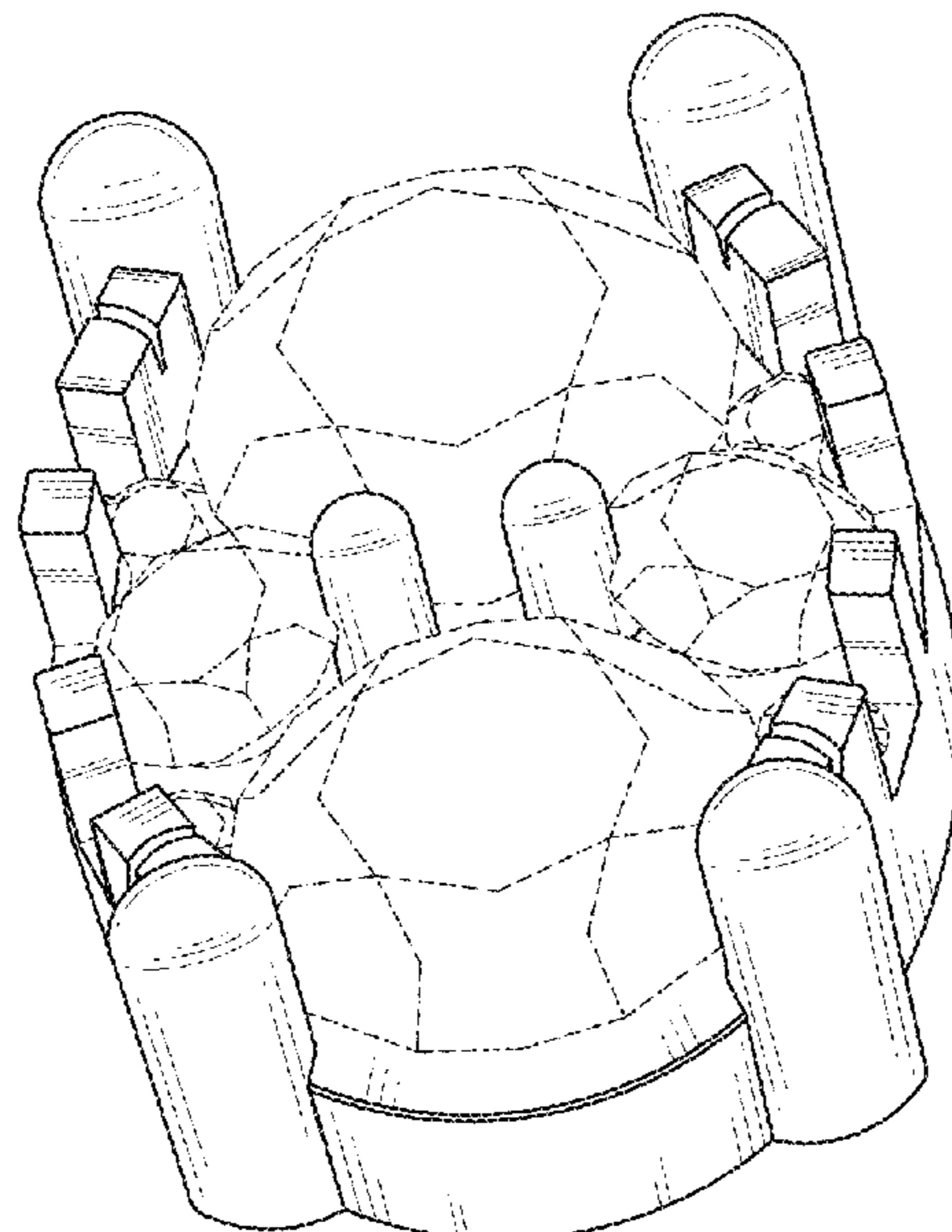
FIG. 1 is a perspective view of a precious stone setting showing my new design;
FIG. 2 is a top plan view of FIG. 1;
FIG. 3 is a front view of FIG. 1, the rear view being symmetrical thereto; and,
FIG. 4 is a right side view of FIG. 1, the left side view being symmetrical thereto.
The broken lines in the drawings illustrate portions of the precious stone setting that form no part of the claimed design.

(56) **References Cited**

U.S. PATENT DOCUMENTS

D191,757 S 11/1961 Jacobi et al.
D410,407 S 6/1999 Tirakian
D422,935 S 4/2000 Chan
D453,908 S 2/2002 Kaplan
D454,090 S 3/2002 Kaplan
D460,017 S 7/2002 Chan
D481,328 S 10/2003 Chia
D498,169 S * 11/2004 Pinto D11/79

1 Claim, 2 Drawing Sheets



(56)

References Cited

U.S. PATENT DOCUMENTS

D688,587 S	8/2013	Nevatia	
D697,451 S *	1/2014	Dholakiya	D11/91
D824,799 S	8/2018	Sallard	
D840,866 S	2/2019	Parikh	
D885,246 S *	5/2020	Shah	D11/91
2016/0021993 A1 *	1/2016	Nevatia	A44C 17/02 63/28
2019/0008244 A1	1/2019	Rutgerson	

* cited by examiner

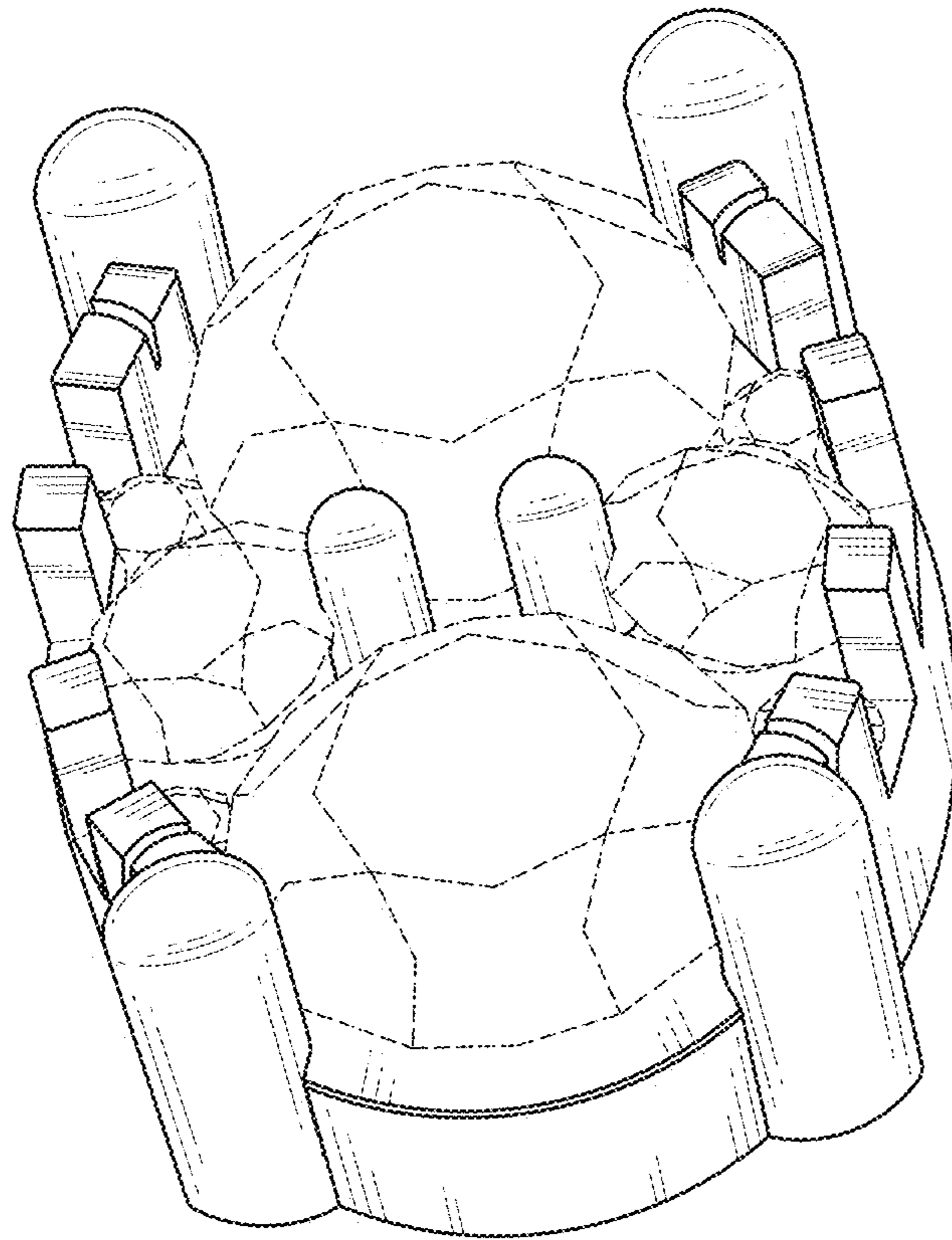


FIG. 1

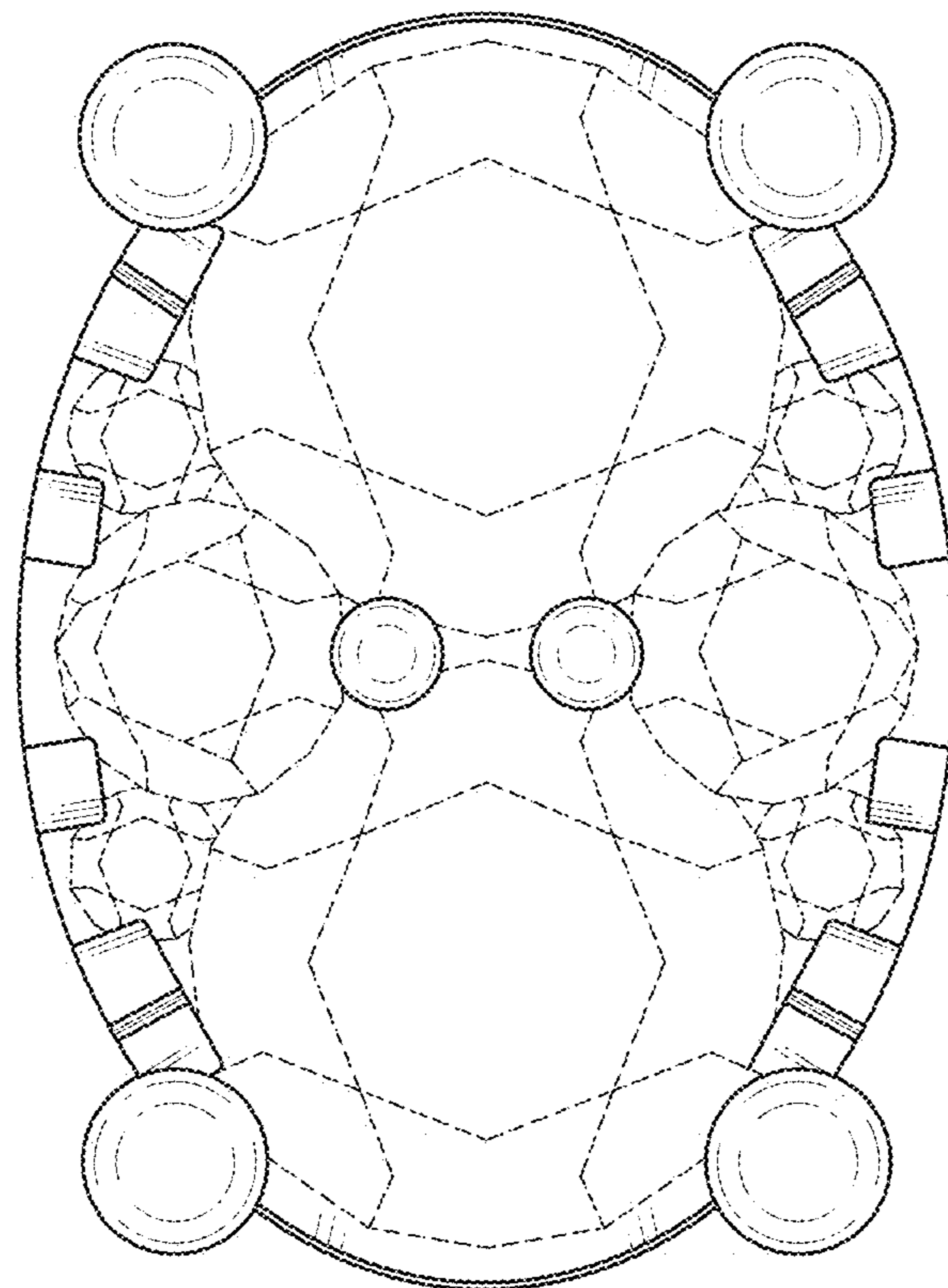


FIG. 2

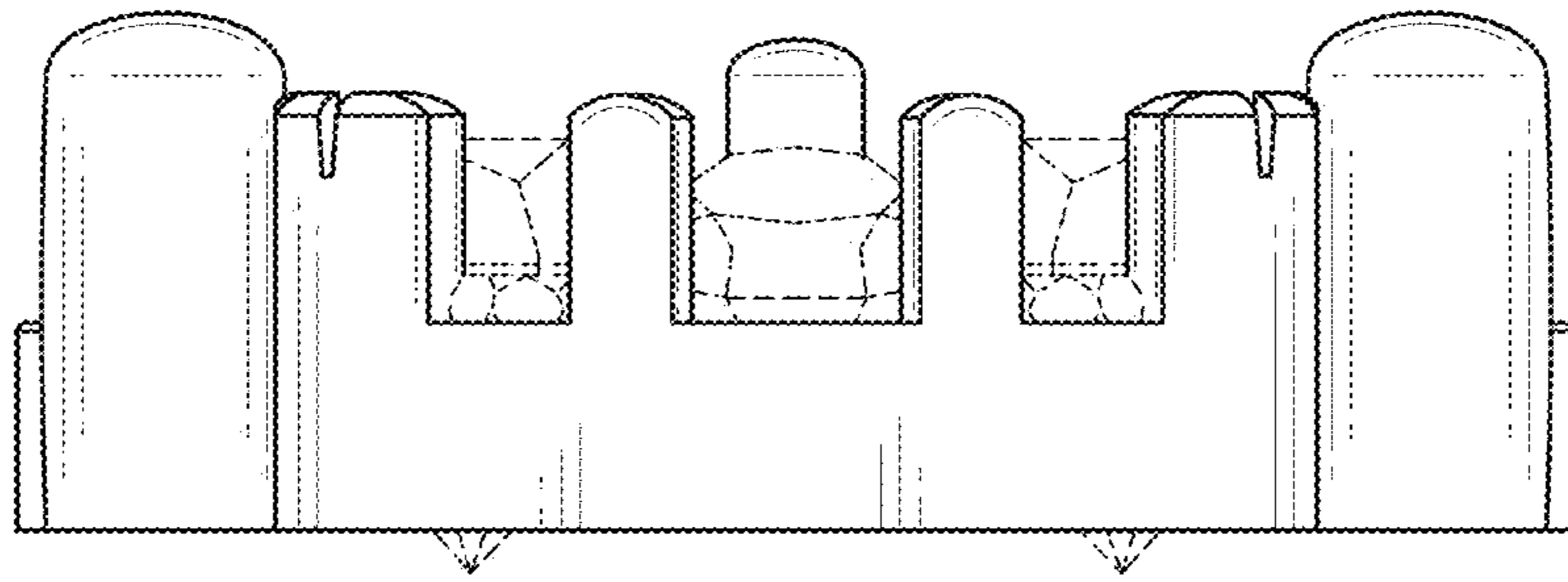


FIG. 3

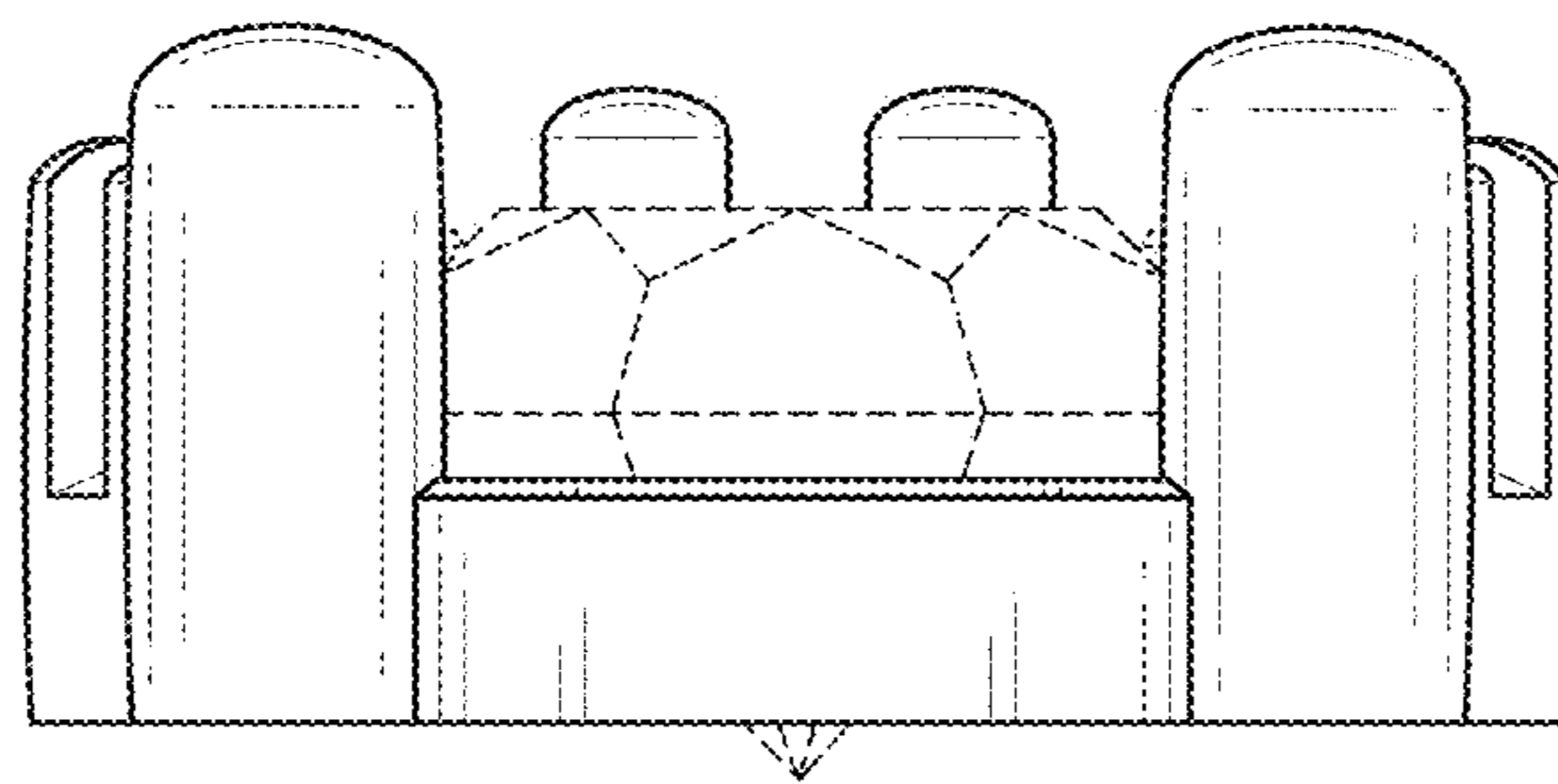


FIG. 4