



US00D900663S

(12) **United States Design Patent** (10) **Patent No.:** **US D900,663 S**
Spillane (45) **Date of Patent:** **** Nov. 3, 2020**

(54) **MULTI-ELEMENT JEWELRY**

(57) **CLAIM**

(71) Applicant: **Annette Lasala Spillane**, San Francisco, CA (US)

The ornamental design for a multi-element jewelry, as shown and described.

(72) Inventor: **Annette Lasala Spillane**, San Francisco, CA (US)

DESCRIPTION

(**) Term: **15 Years**

(21) Appl. No.: **29/641,503**

(22) Filed: **Mar. 22, 2018**

(51) **LOC (12) Cl.** **11-01**

(52) **U.S. Cl.**
USPC **D11/26; D11/34**

(58) **Field of Classification Search**
USPC D11/2, 3, 4, 16, 17, 18, 20-31, 33, 34,
D11/35, 37, 38, 184

(Continued)

(56) **References Cited**

U.S. PATENT DOCUMENTS

D224,913 S * 10/1972 Maroni D10/32
D239,298 S * 3/1976 Turner D21/782

(Continued)

FOREIGN PATENT DOCUMENTS

FR 1978-C2120 A * 1/1978

OTHER PUBLICATIONS

Tara Fine Jewelry's Cool Convertibles (availalbe online Aug. 1, 2018) Retrieved Jun. 18, 2020 from URL: <https://www.jckonline.com/editorial-article/first-look-tara-fine-jewelry/>.*

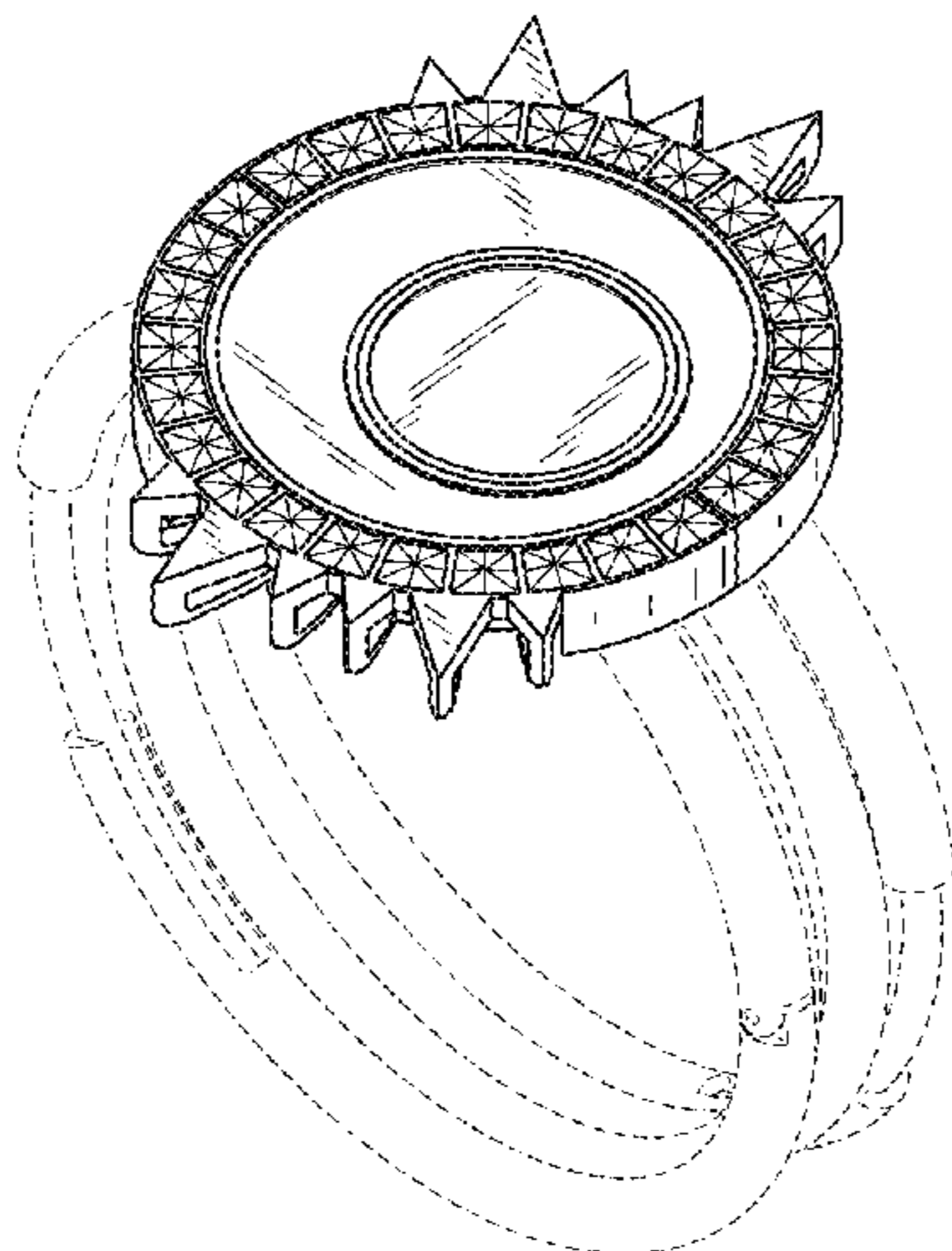
Primary Examiner — Kevin K Rudzinski

Assistant Examiner — Richard Kearney

(74) *Attorney, Agent, or Firm* — Dunlap Bennett & Ludwig, PLLC; Brendan E. Squire

FIG. 1 is a front perspective view of the first jewelry element showing my new design;
FIG. 2 is a front elevation view thereof;
FIG. 3 is rear elevation view thereof;
FIG. 4 is a left side elevation view thereof;
FIG. 5 is a right side elevation view thereof;
FIG. 6 is a top plan view thereof;
FIG. 7 is a bottom plan view thereof;
FIG. 8 is a front perspective view of the second jewelry element showing my new design;
FIG. 9 is a front elevation view thereof;
FIG. 10 is rear elevation view thereof;
FIG. 11 is a left side elevation view thereof;
FIG. 12 is right side elevation view thereof;
FIG. 13 is a top plan view thereof;
FIG. 14 is a bottom plan view thereof;
FIG. 15 is a front perspective view of the third jewelry element showing my new design;
FIG. 16 is a front elevation view thereof, the rear elevation view being a mirror image thereof;
FIG. 17 is a left side elevation view thereof, the right side elevation view being a mirror image thereof;
FIG. 18 is a top plan view thereof;
FIG. 19 is a bottom plan view thereof;
FIG. 20 is a front perspective view of the fourth jewelry element showing my new design;
FIG. 21 is a front elevation view thereof, the rear elevation view being a mirror image thereof;
FIG. 22 is a left side elevation view thereof, the right side elevation view being a mirror image thereof;
FIG. 23 is a top plan view thereof;
FIG. 24 is a bottom plan view thereof; and,
FIG. 25 is a front perspective view of the multi-element jewelry showing my new design.

(Continued)



US D900,663 S

Page 2

The broken lines shown in the drawings illustrate portions of the multi-element jewelry that form no part of the claimed design.

1 Claim, 11 Drawing Sheets

(58) Field of Classification Search

CPC A44C 9/00; A44C 9/02; A44C 9/0007;
A44C 9/0015; A44C 9/0023; A44C 13/00
See application file for complete search history.

(56) References Cited

U.S. PATENT DOCUMENTS

D254,537 S * 3/1980 Abelson 63/15.1
D257,018 S * 9/1980 Barr 63/29.1

4,841,746 A * 6/1989 Chen A44C 9/00
63/15
5,165,257 A * 11/1992 Corenblith A44C 3/001
63/15
5,404,731 A * 4/1995 Traub A44C 9/00
446/153
D455,356 S * 4/2002 Saffer D10/32
D462,288 S * 9/2002 Jongsoonthornthurakit .. D11/26
D525,553 S * 7/2006 Toupet D11/5
D542,694 S * 5/2007 Schweizer D11/34
D639,690 S * 6/2011 Zhu D11/3
D766,123 S * 9/2016 Wachtmeister D11/34
D813,077 S * 3/2018 Noble A44C 17/0258
D11/26
2005/0022555 A1 * 2/2005 Cheng A44C 9/00
63/31
2016/0286911 A1 * 10/2016 Wachtmeister A44C 17/0208
2018/0020788 A1 * 1/2018 Parikh A44C 13/00
63/15

* cited by examiner

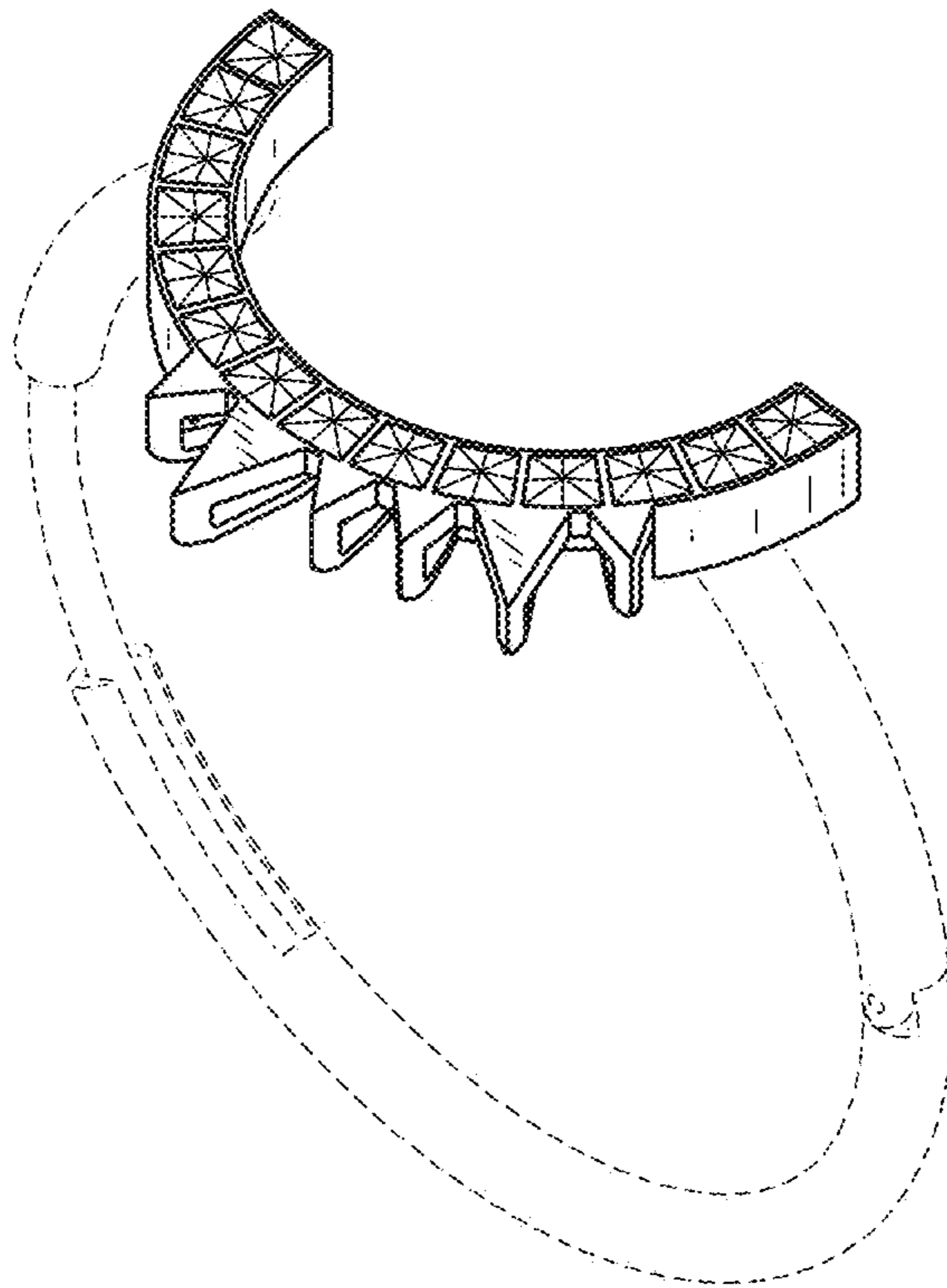


FIG. 1

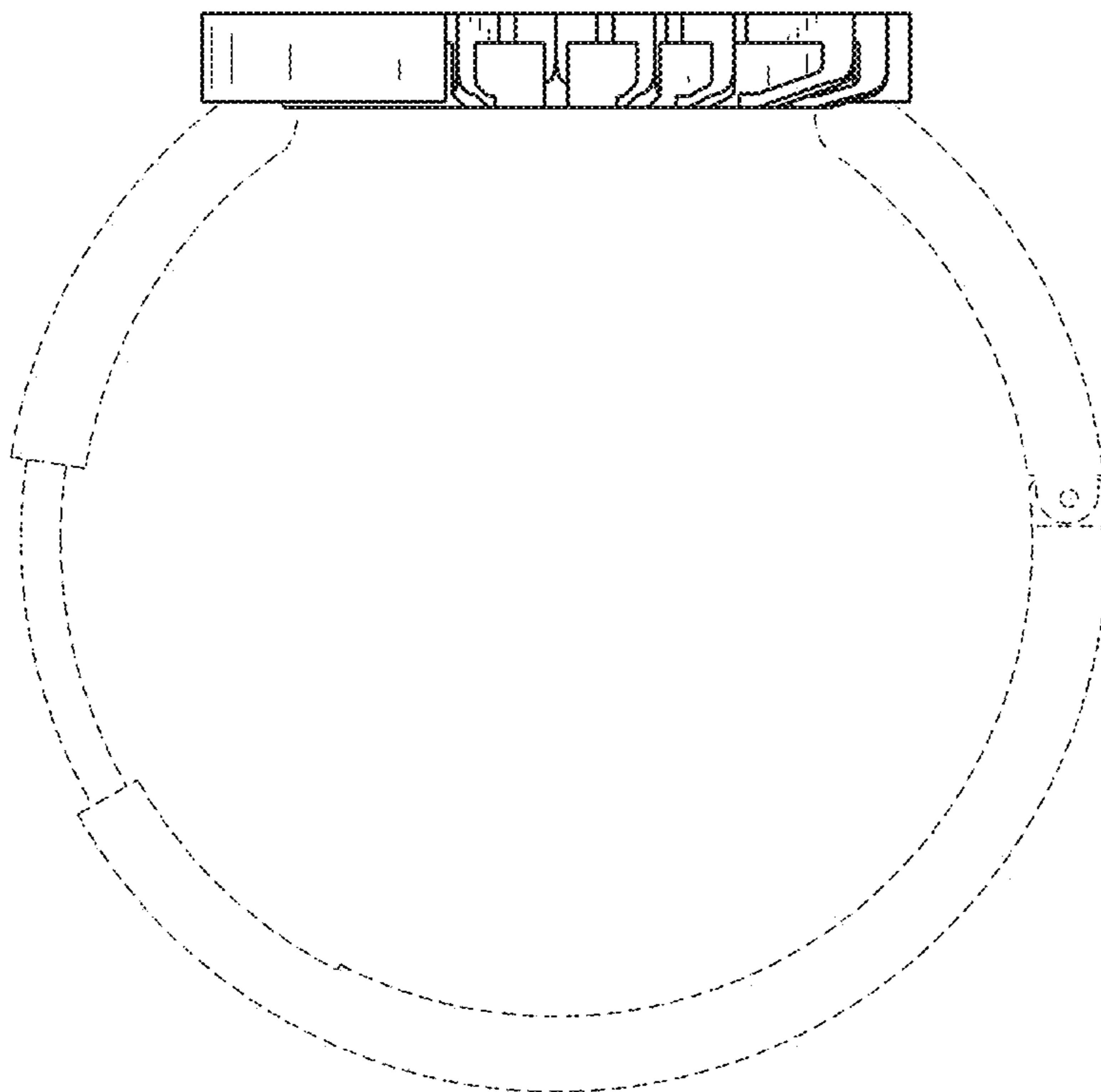


FIG. 2

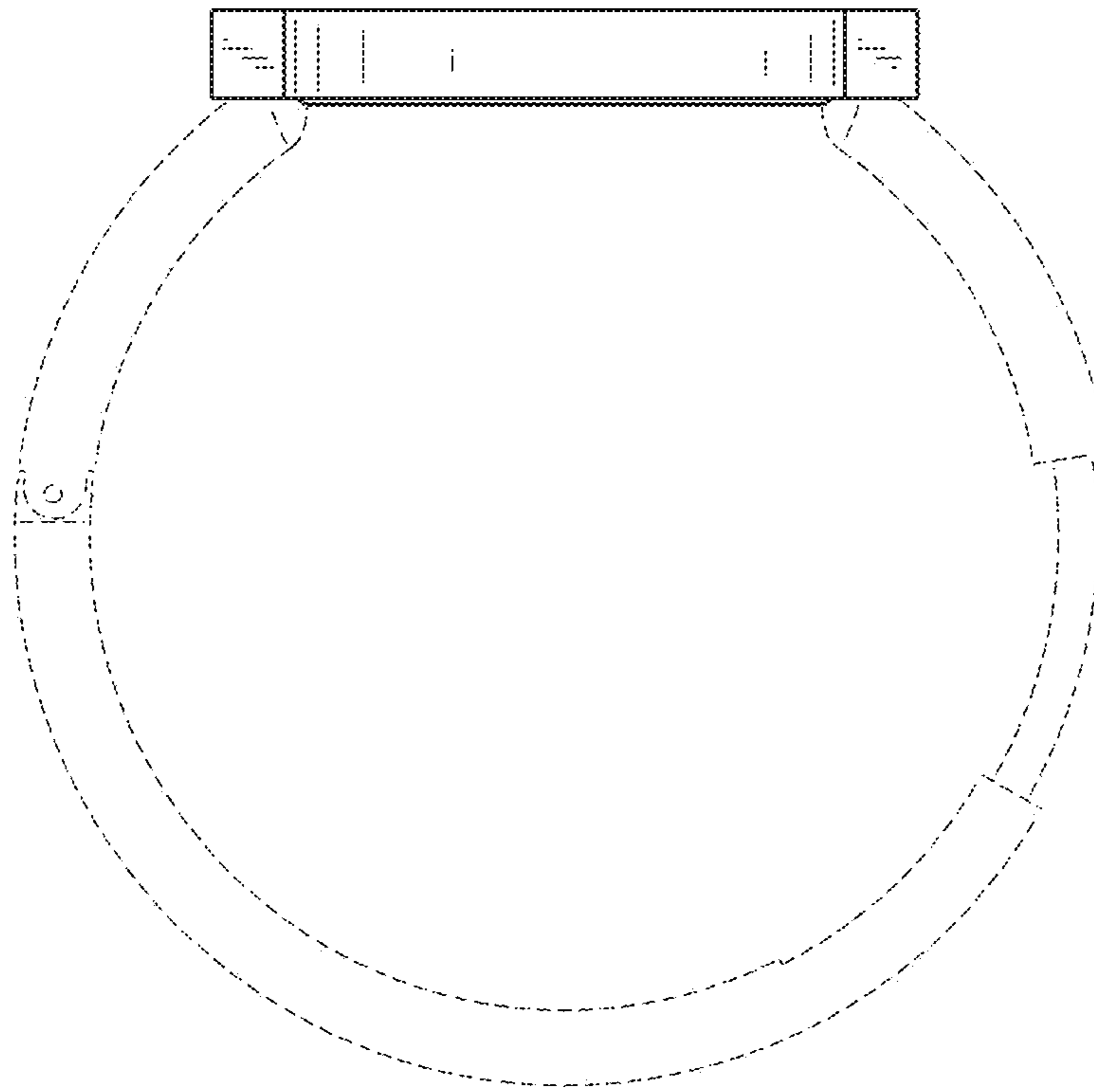


FIG. 3

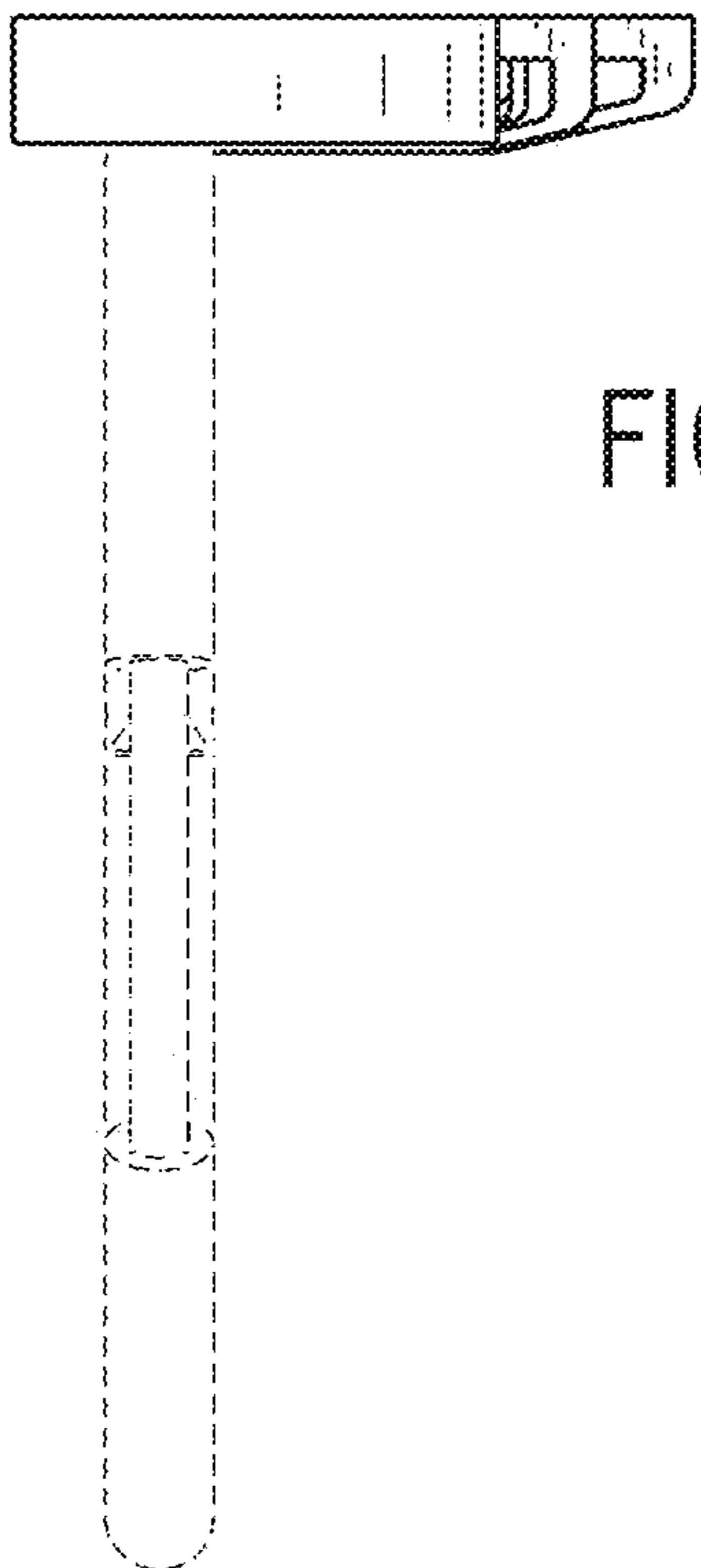


FIG. 4

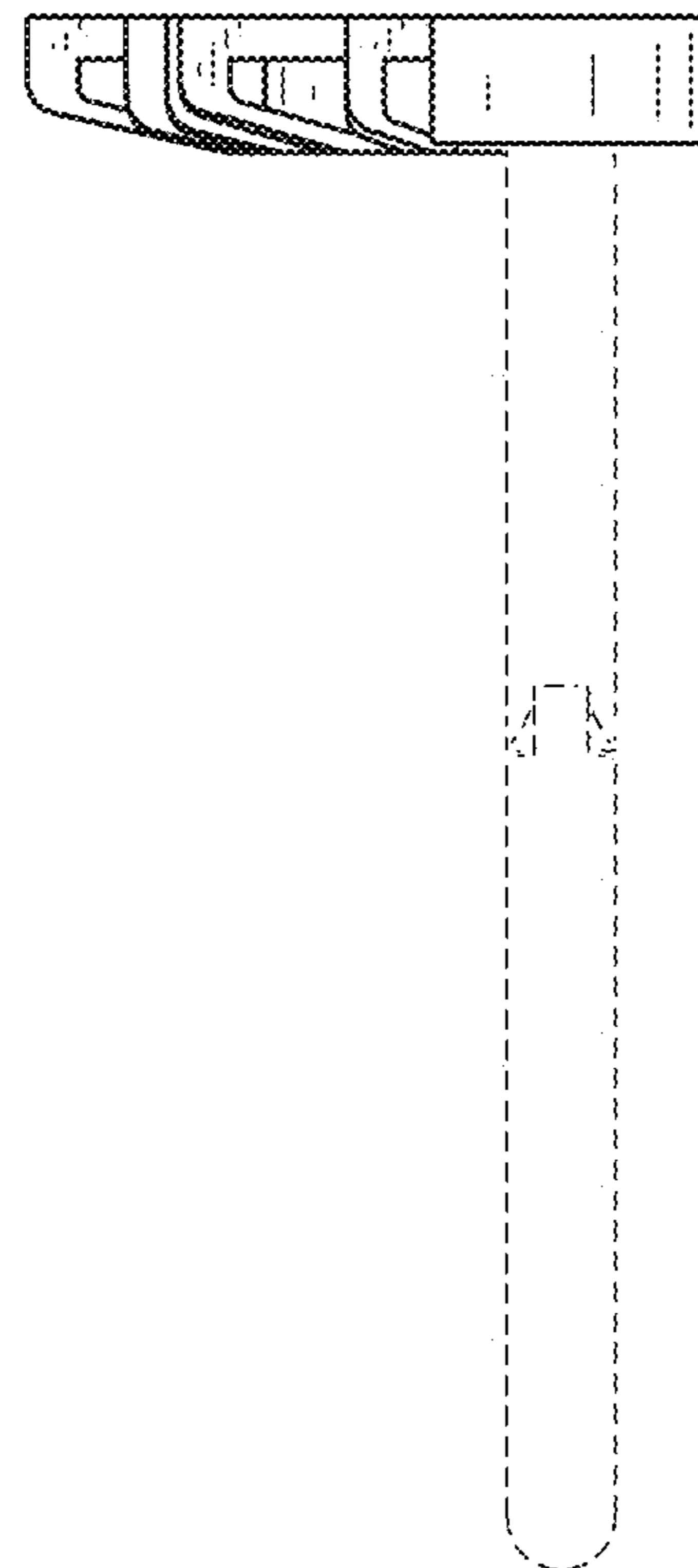


FIG. 5

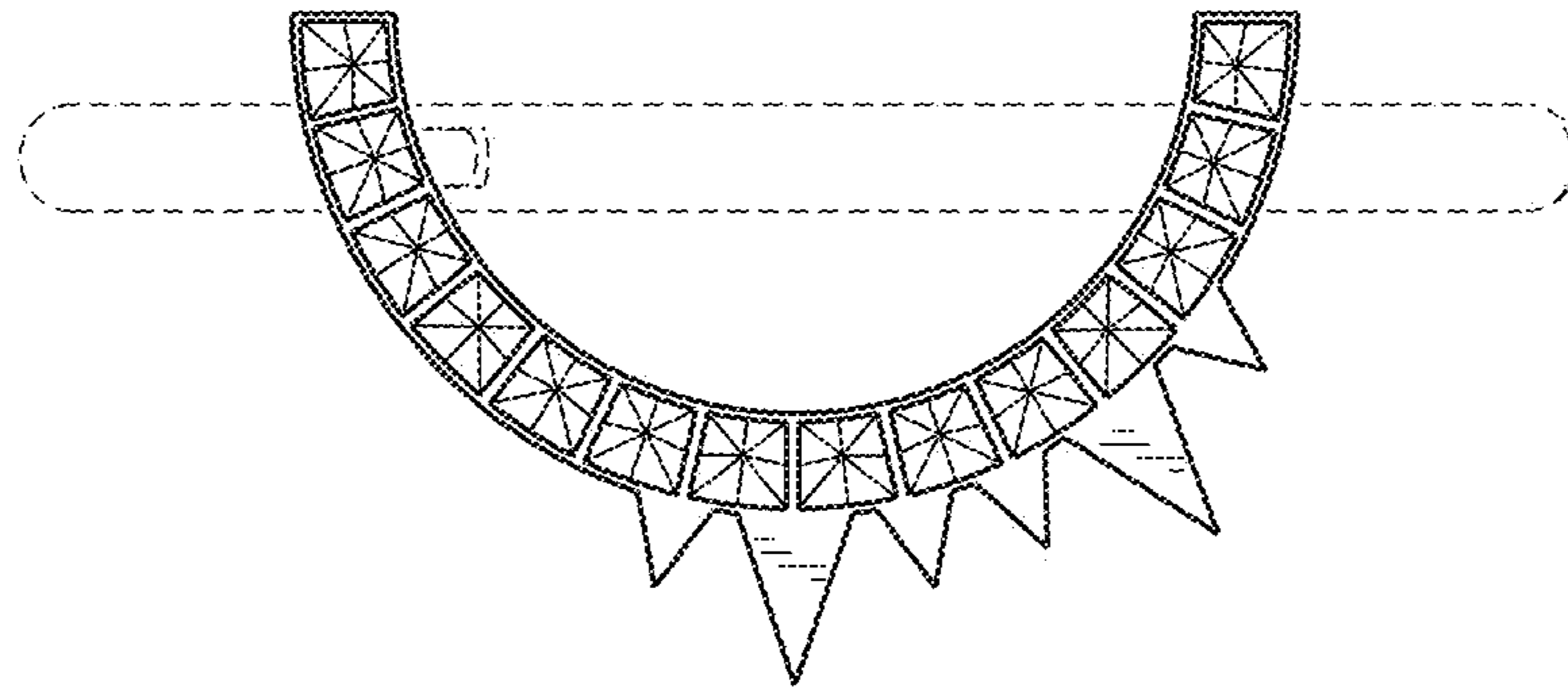


FIG. 6

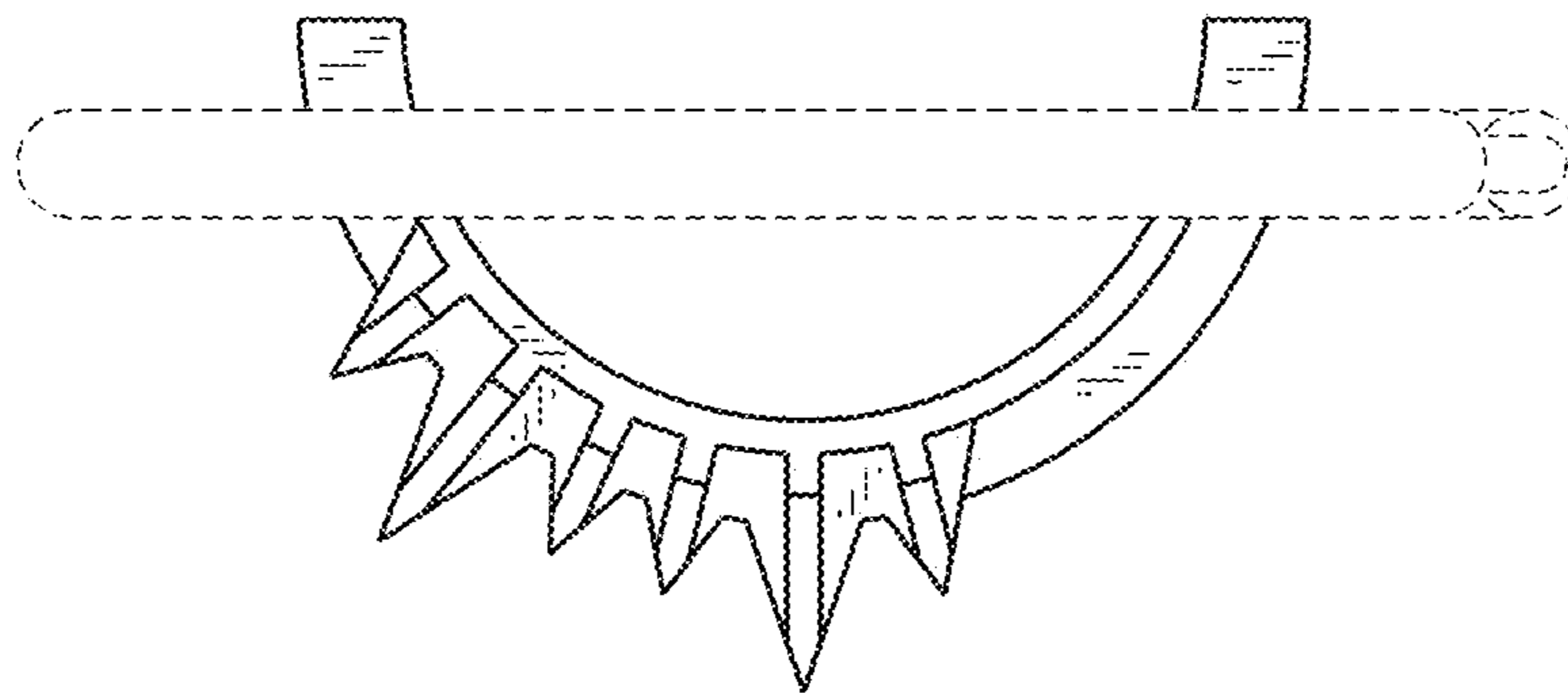


FIG. 7

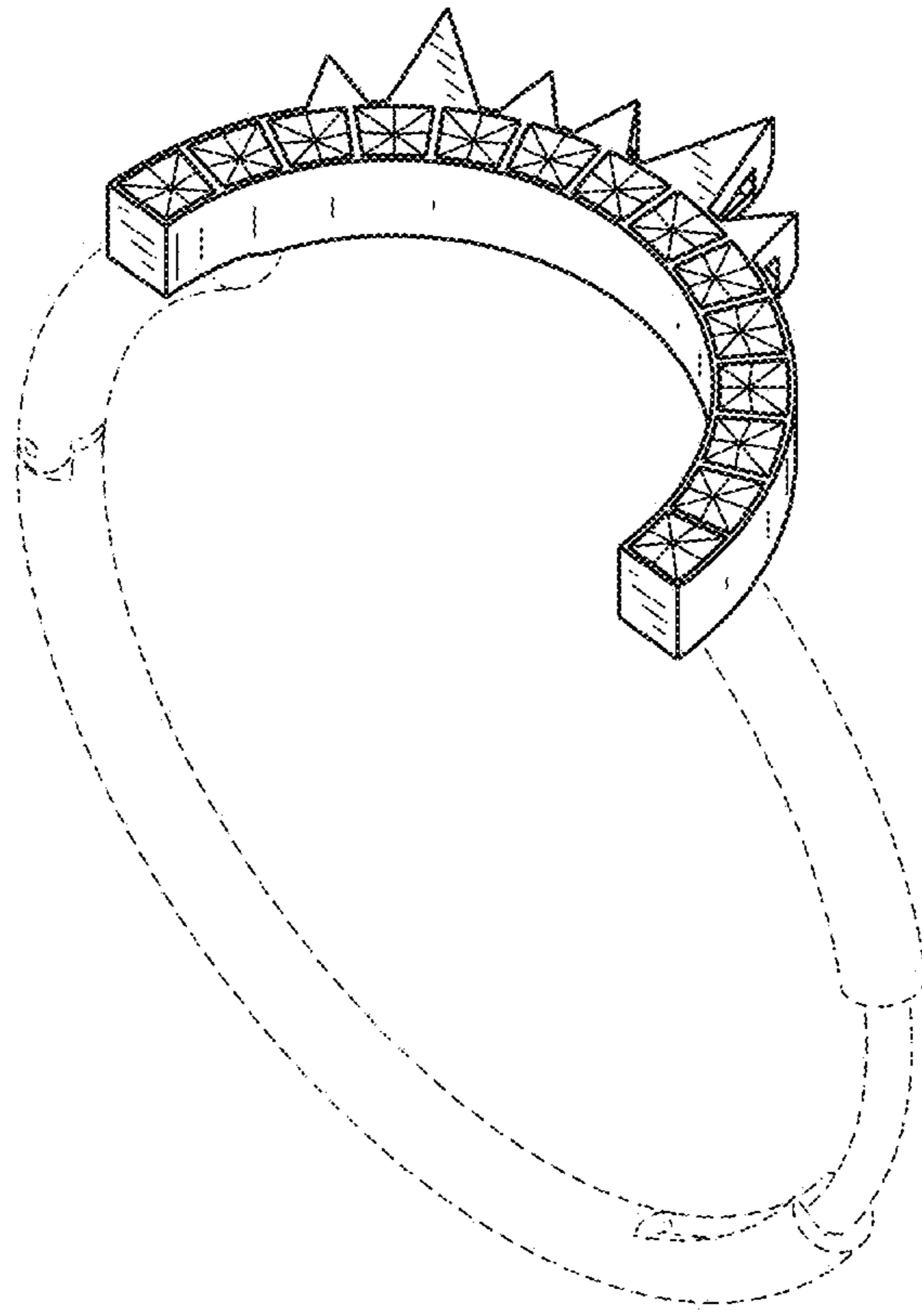


FIG. 8

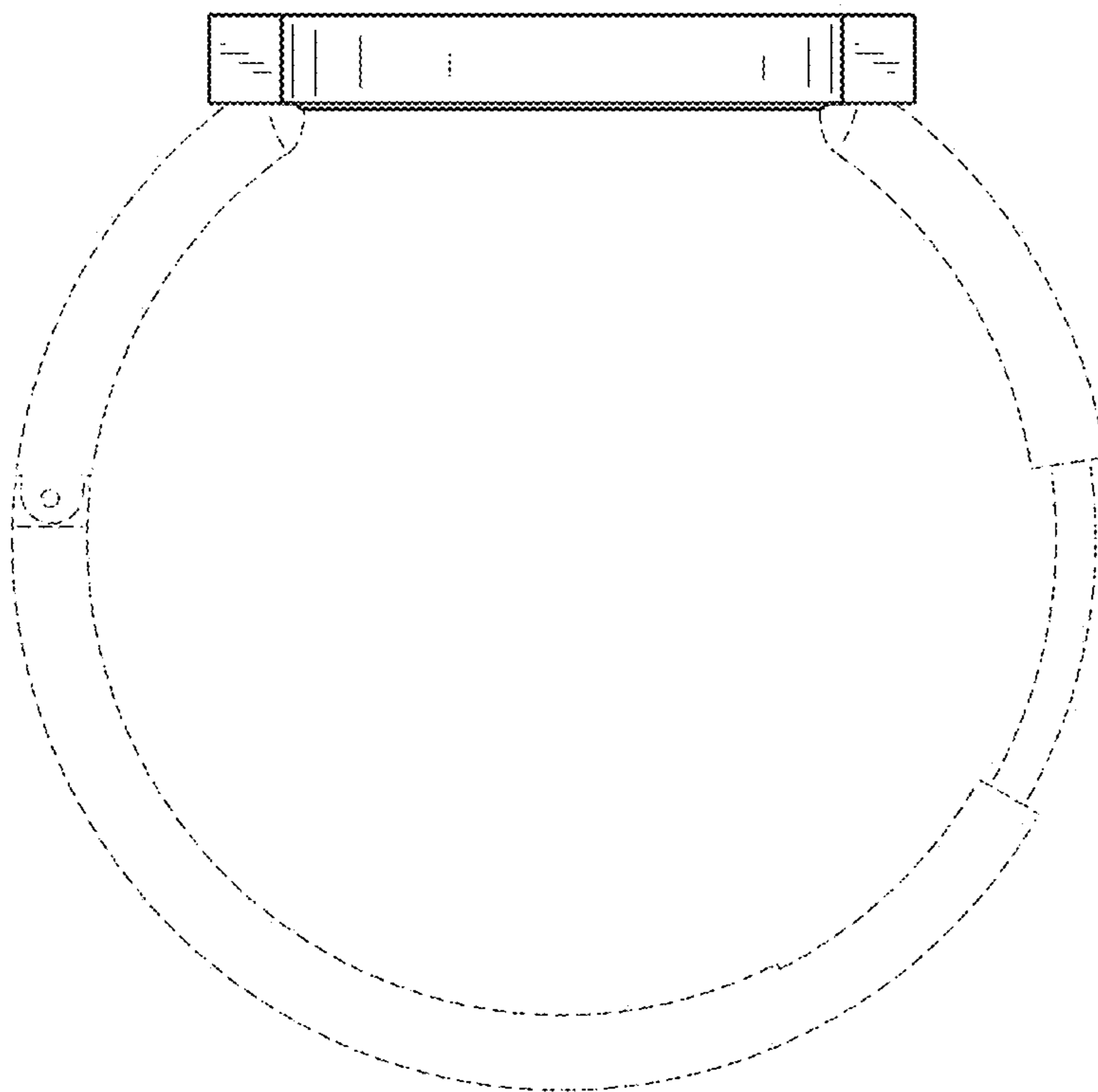


FIG. 9

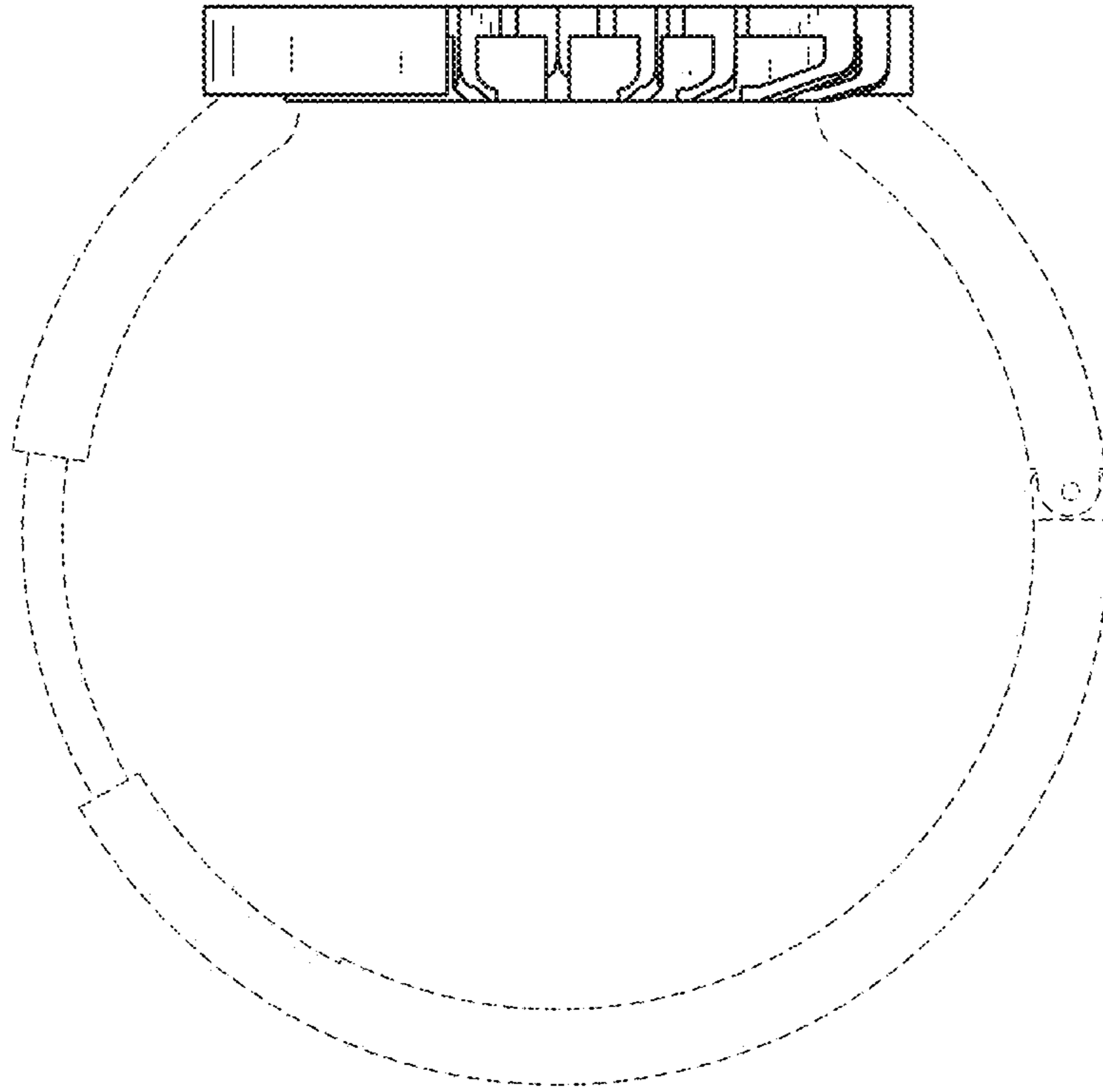


FIG. 10

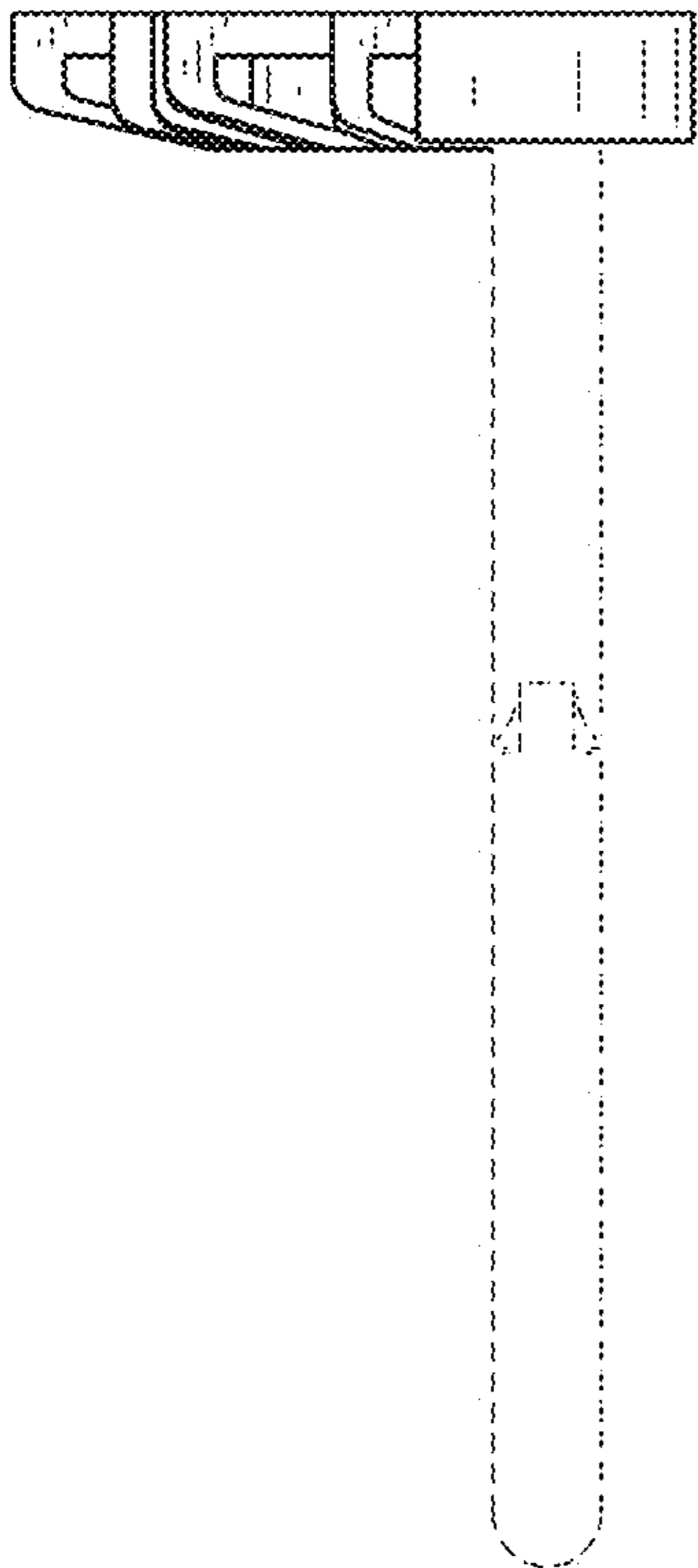


FIG. 11

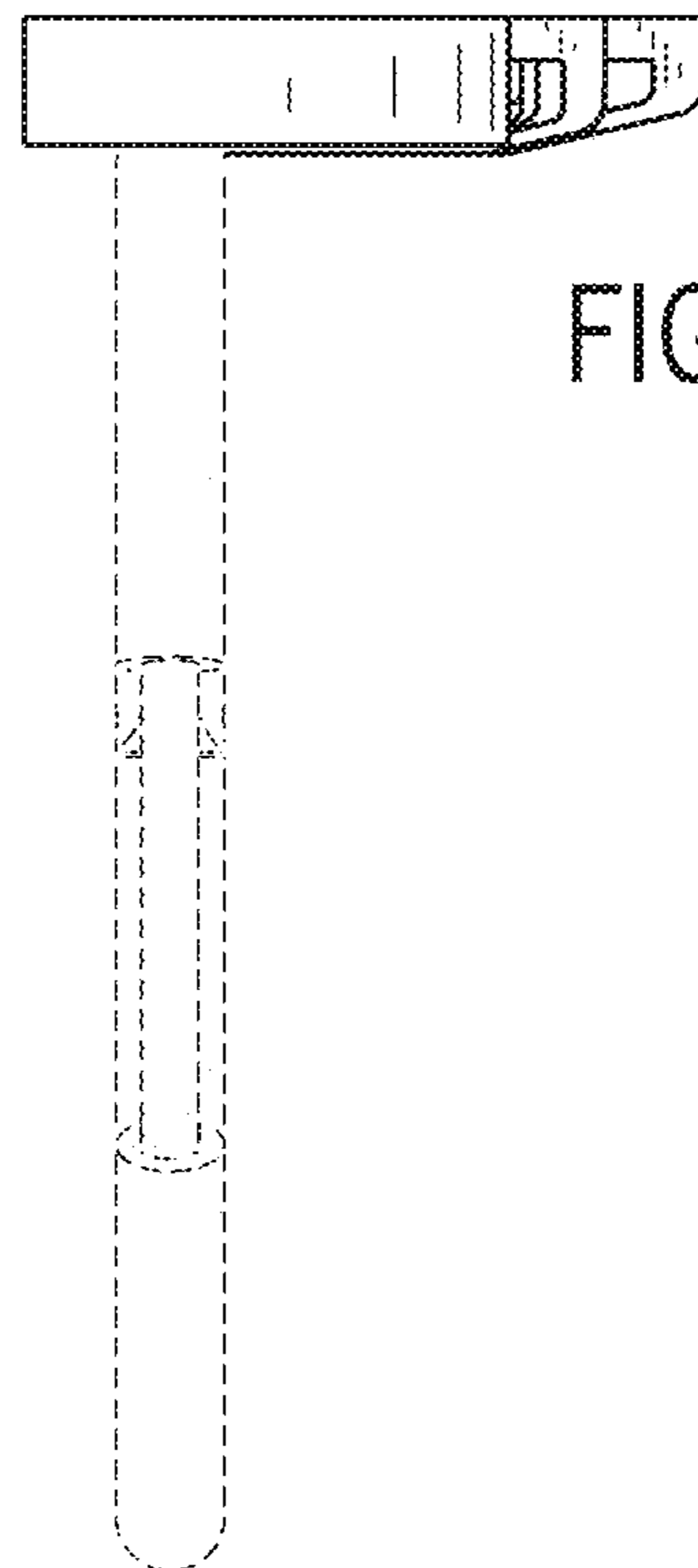


FIG. 12

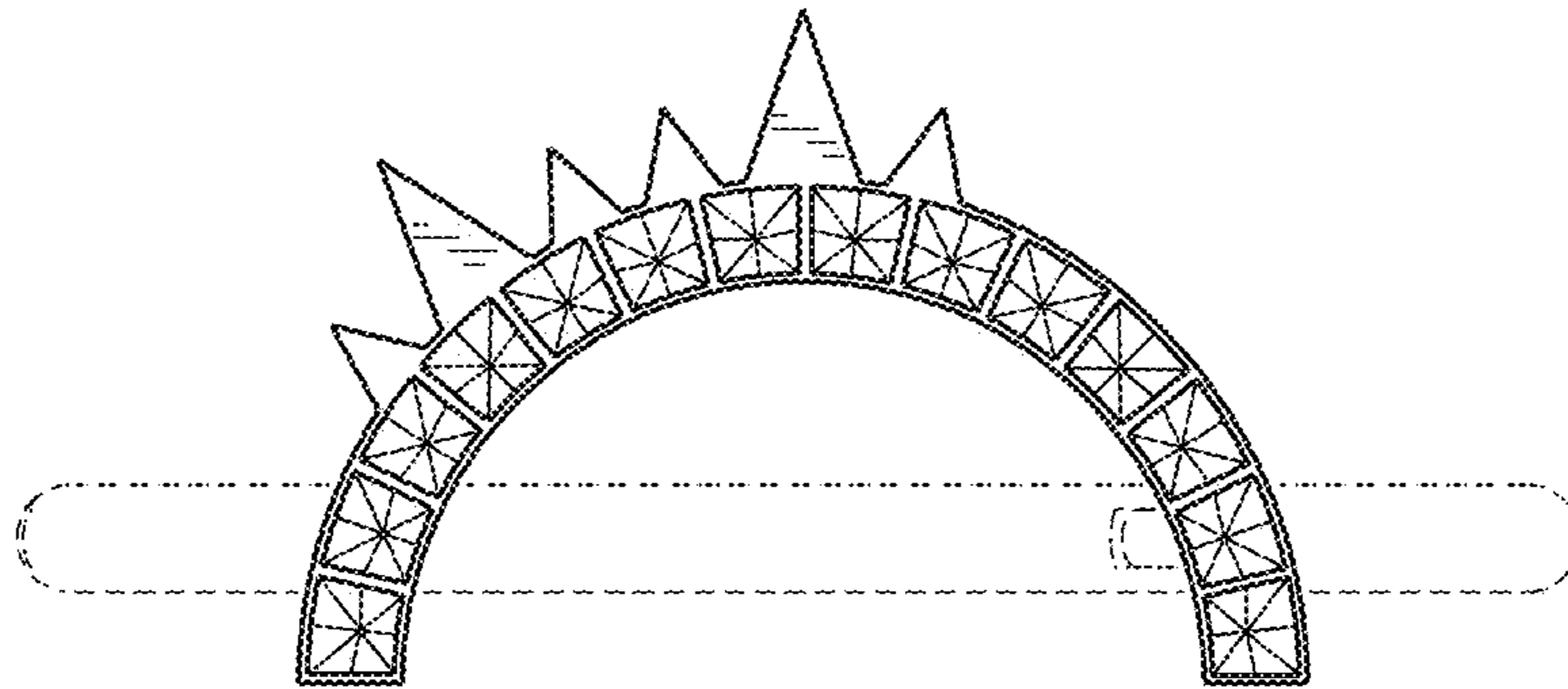


FIG. 13

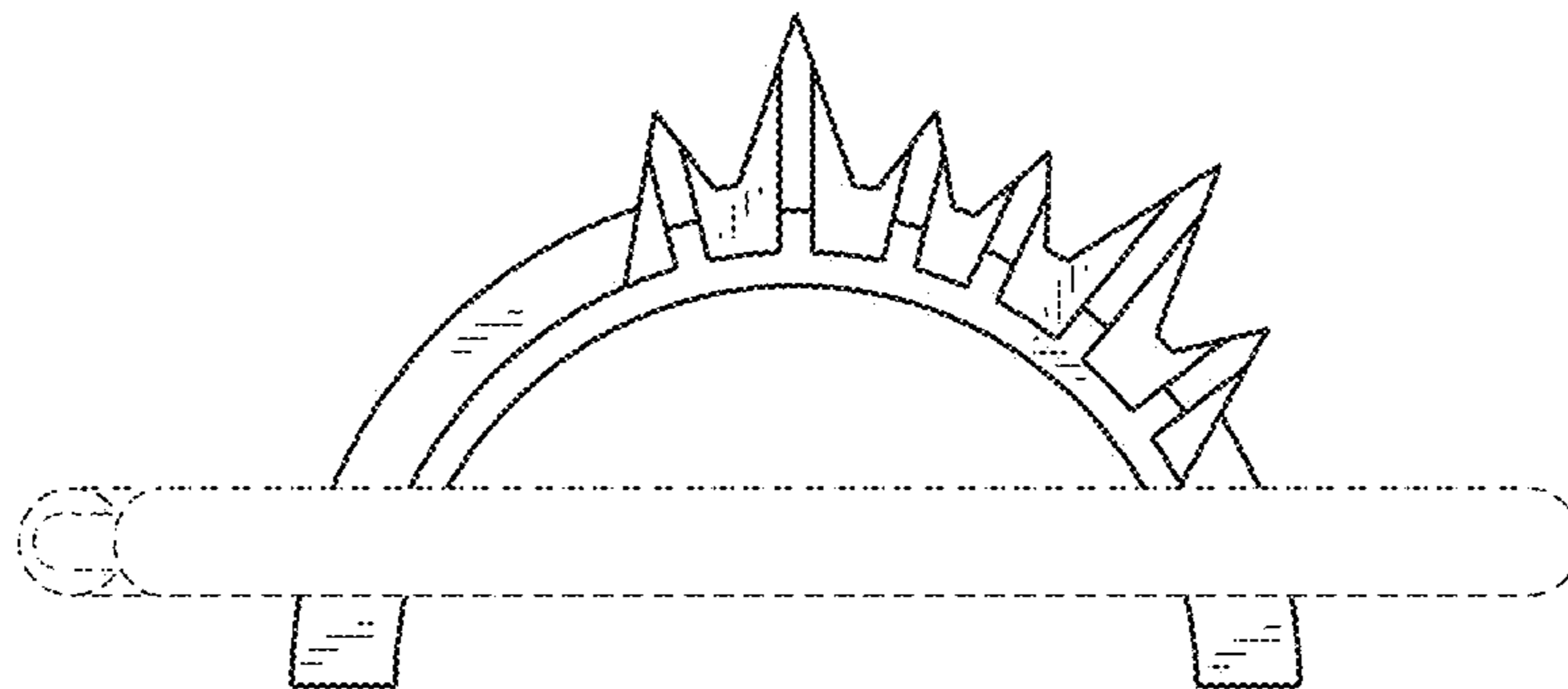


FIG. 14

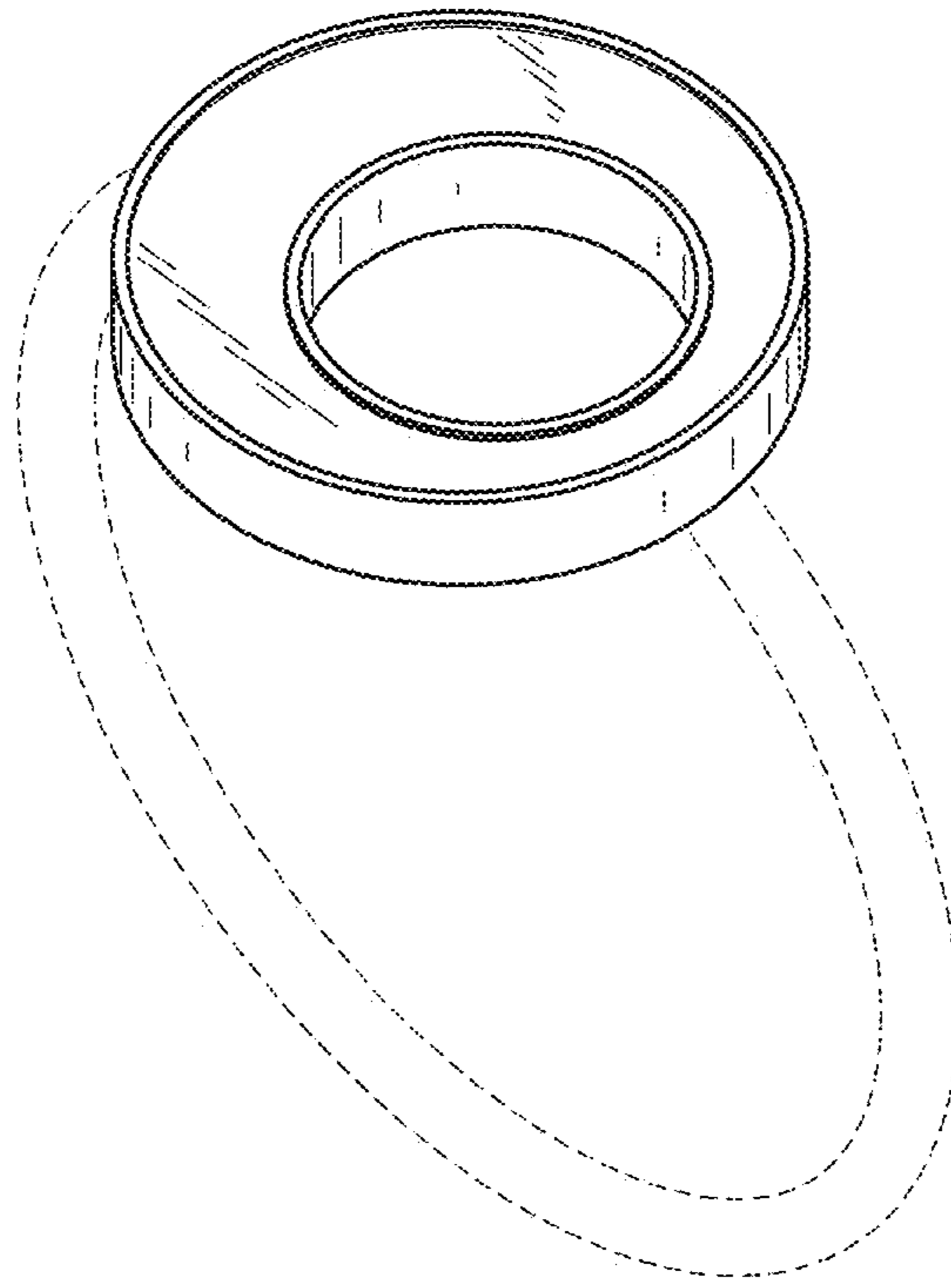


FIG. 15

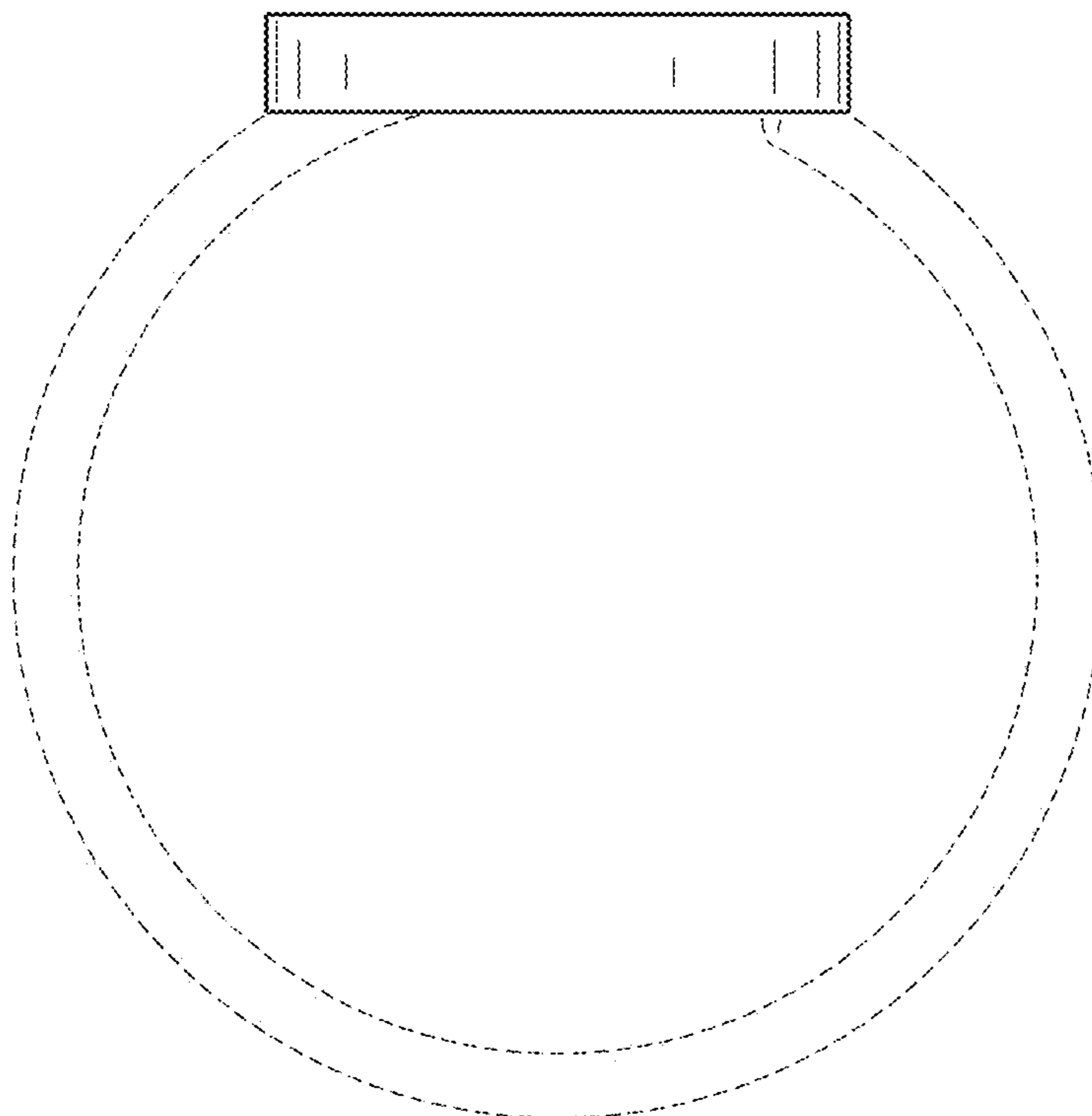


FIG. 16

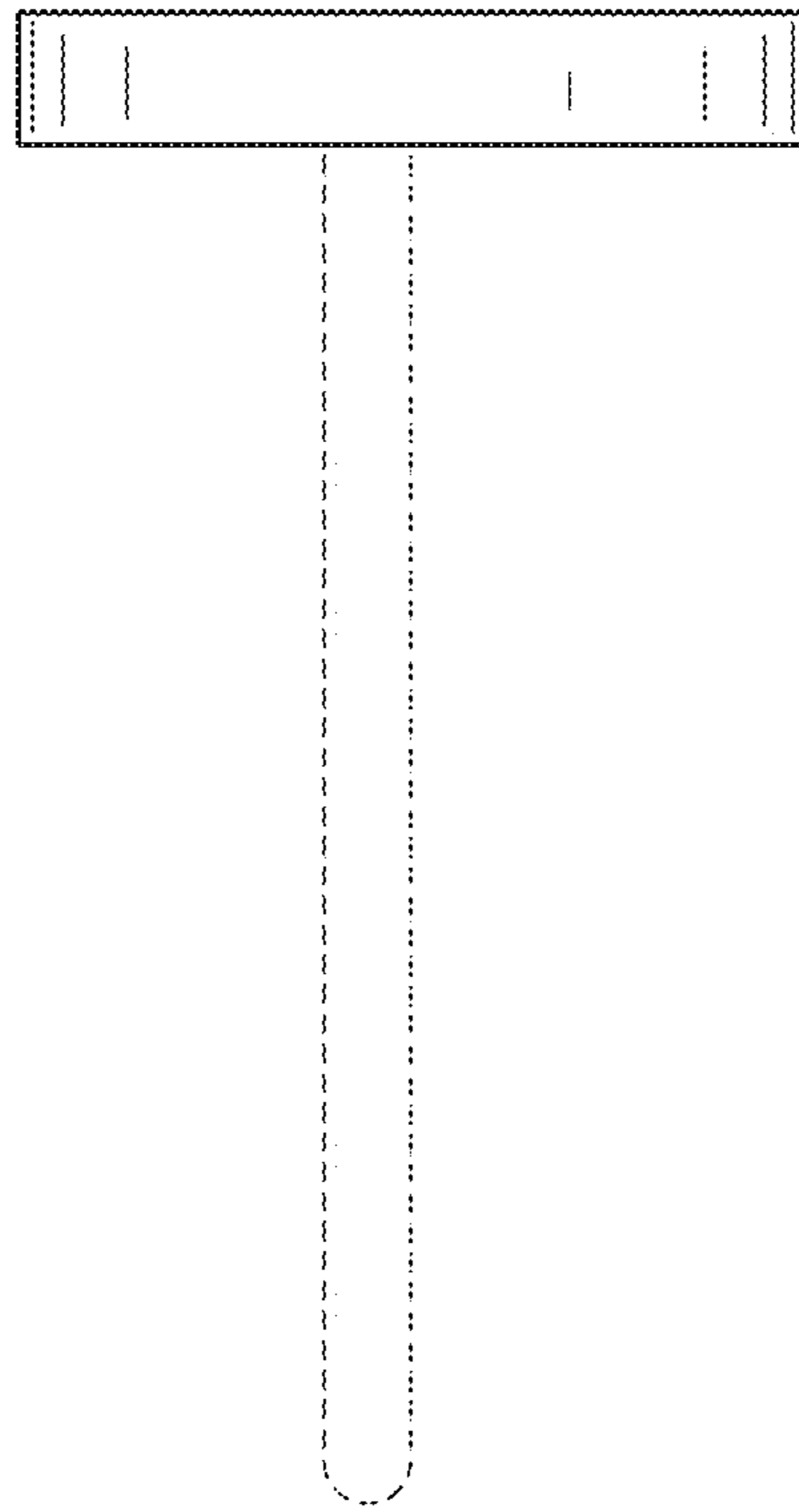


FIG. 17

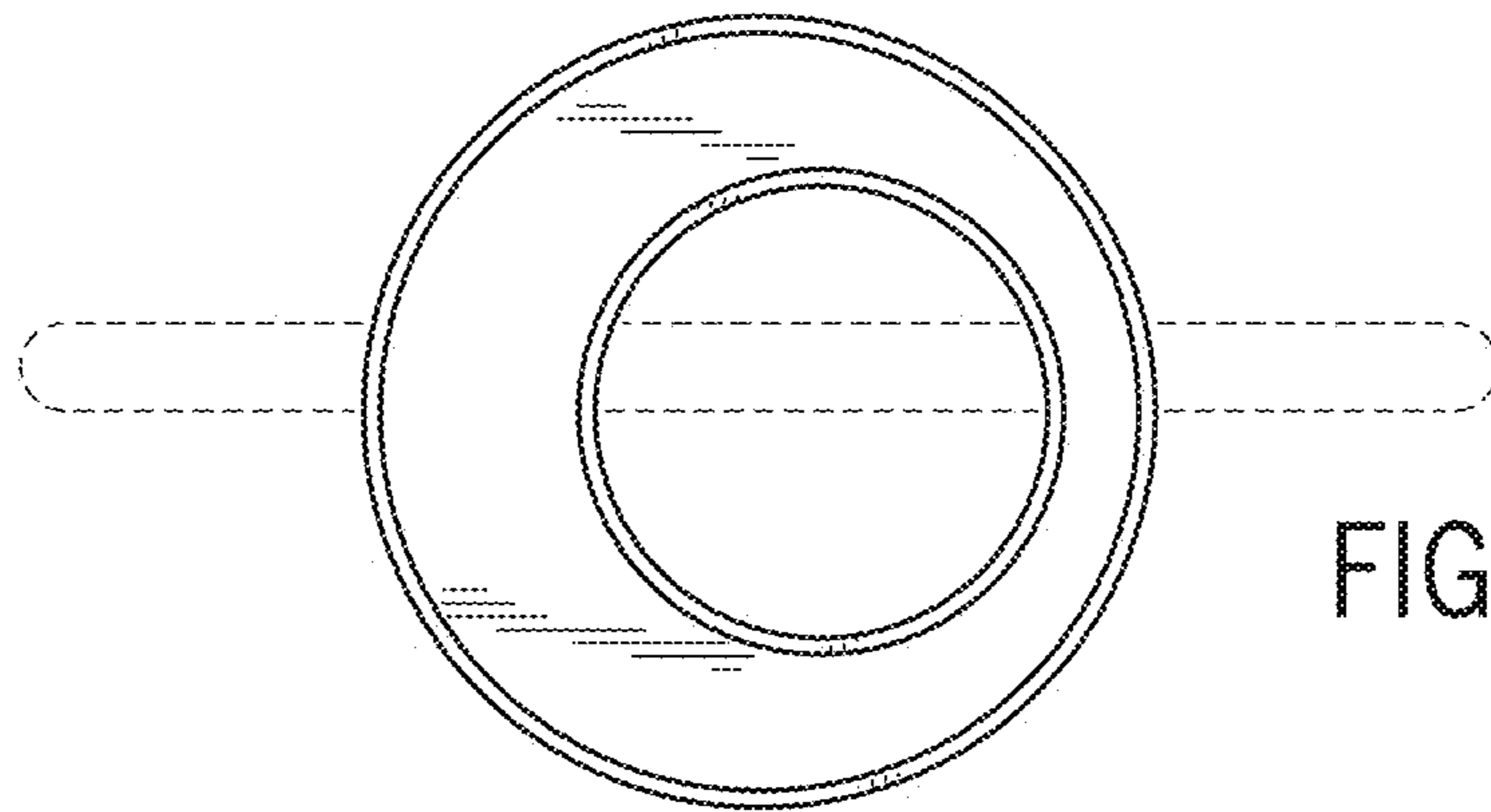


FIG. 18

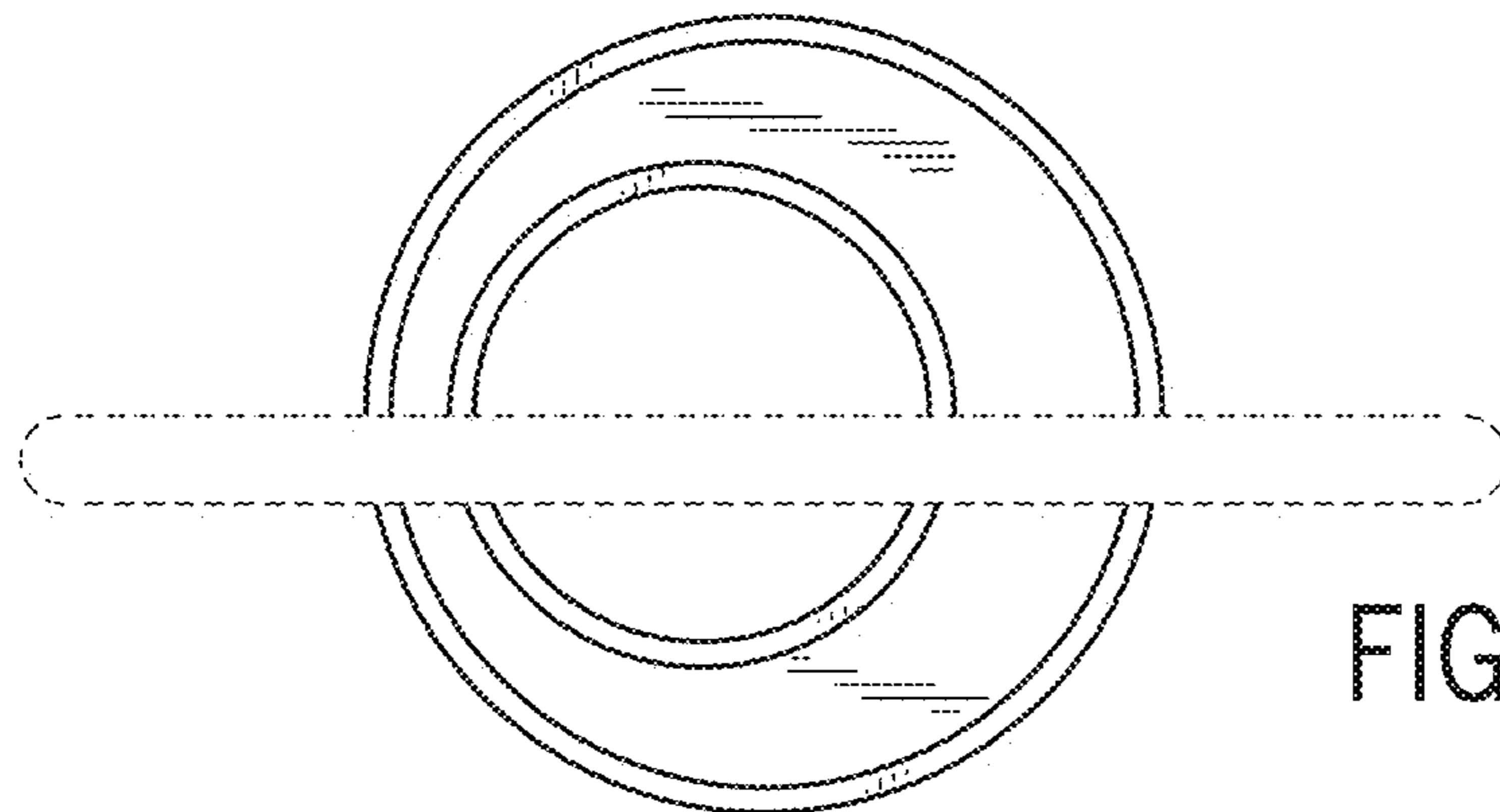


FIG. 19

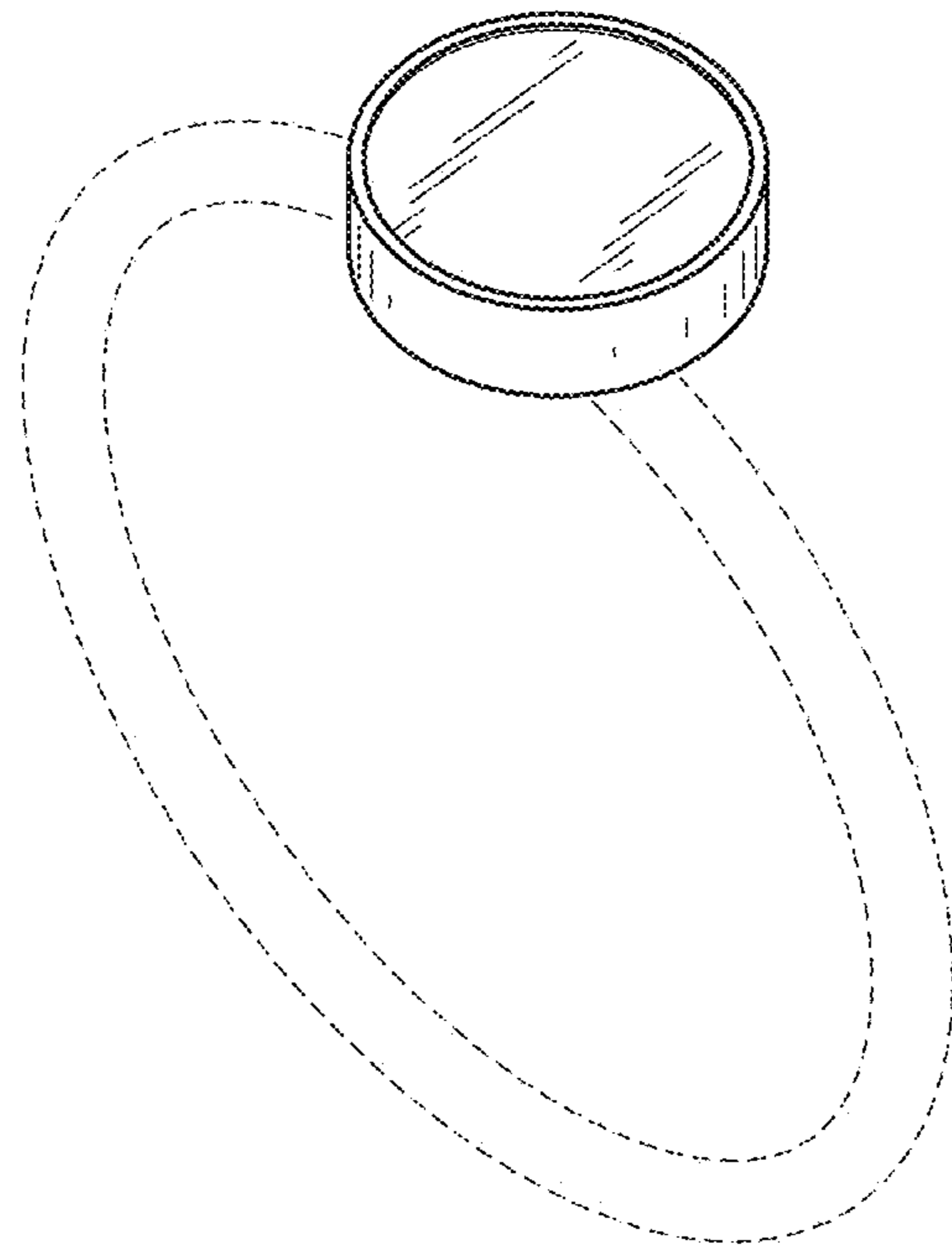


FIG. 20

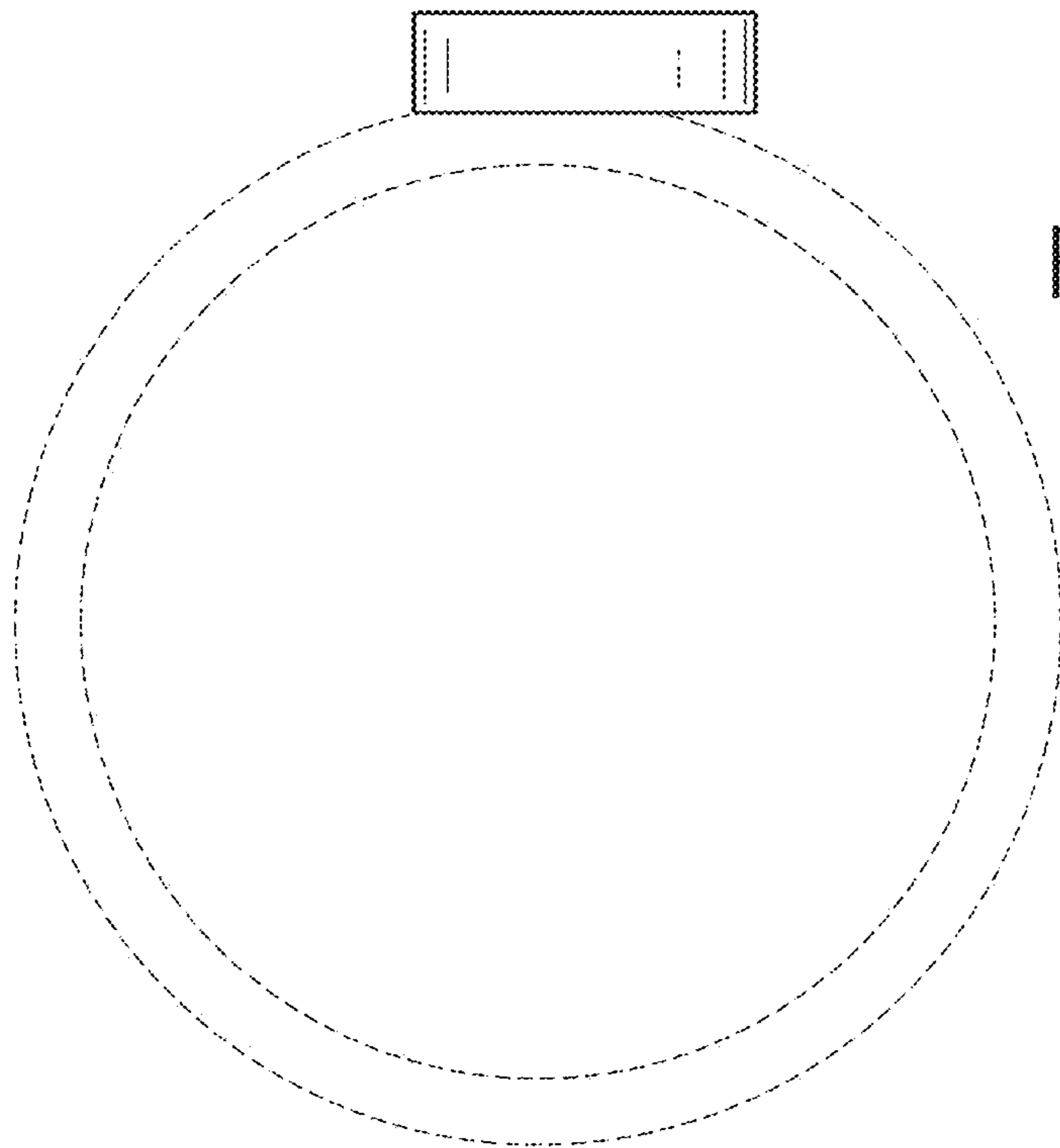


FIG. 21

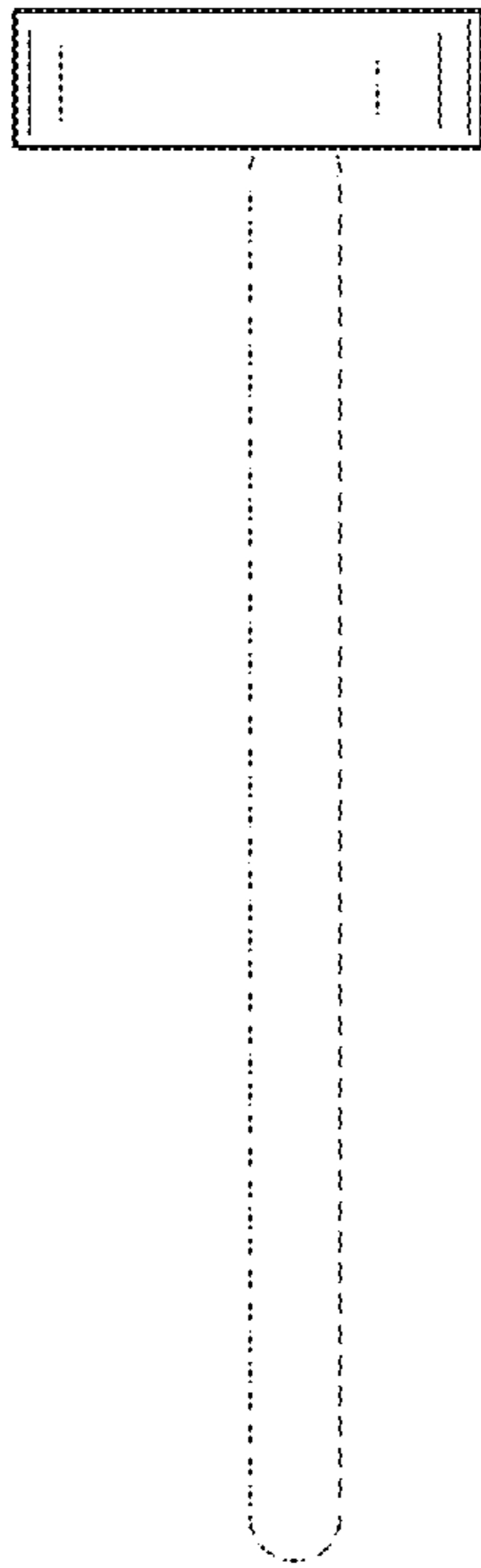


FIG. 22

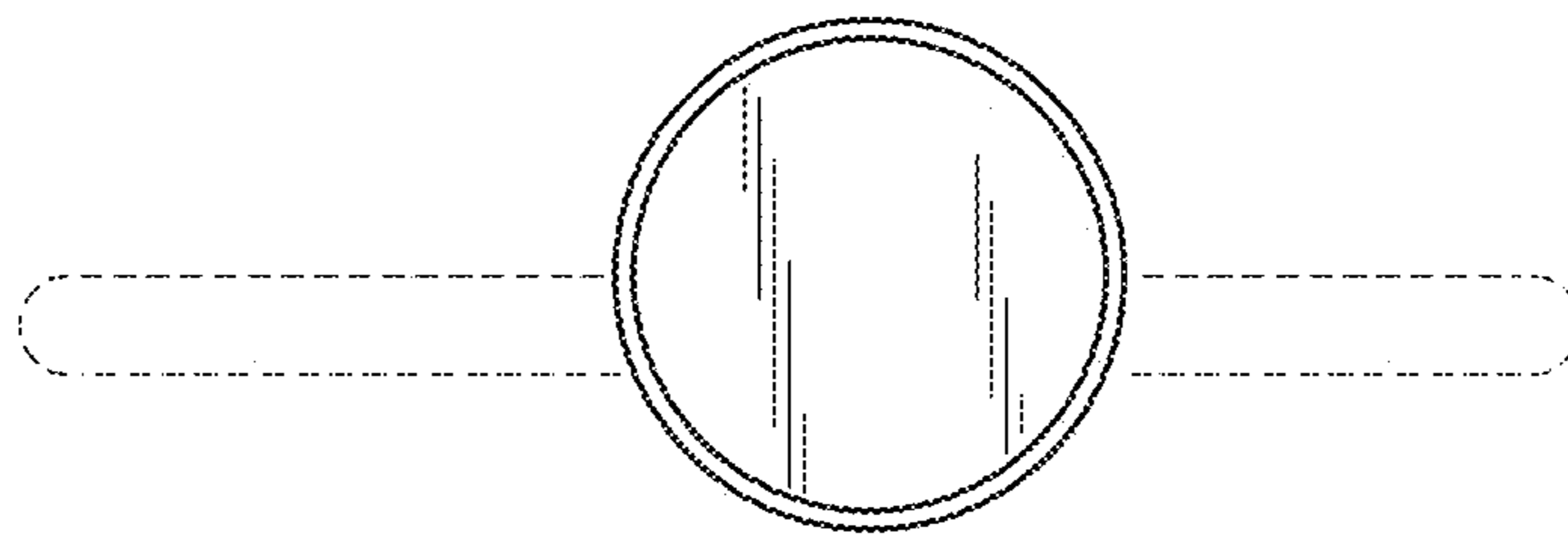


FIG. 23

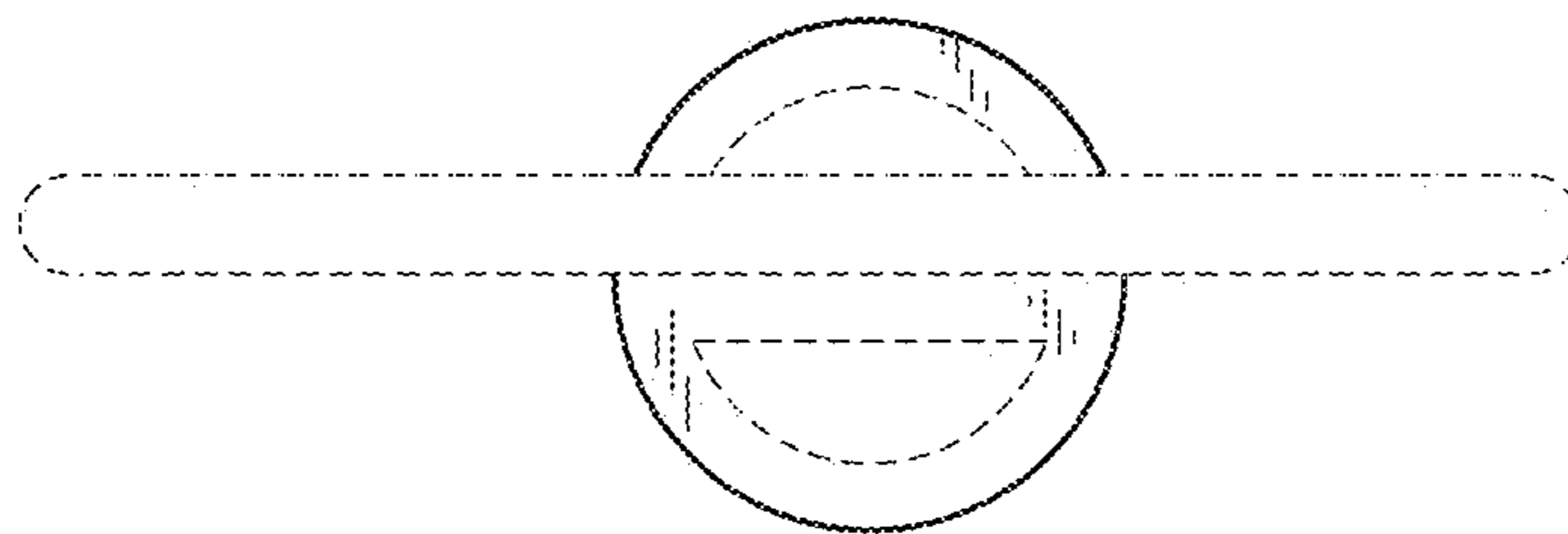


FIG. 24

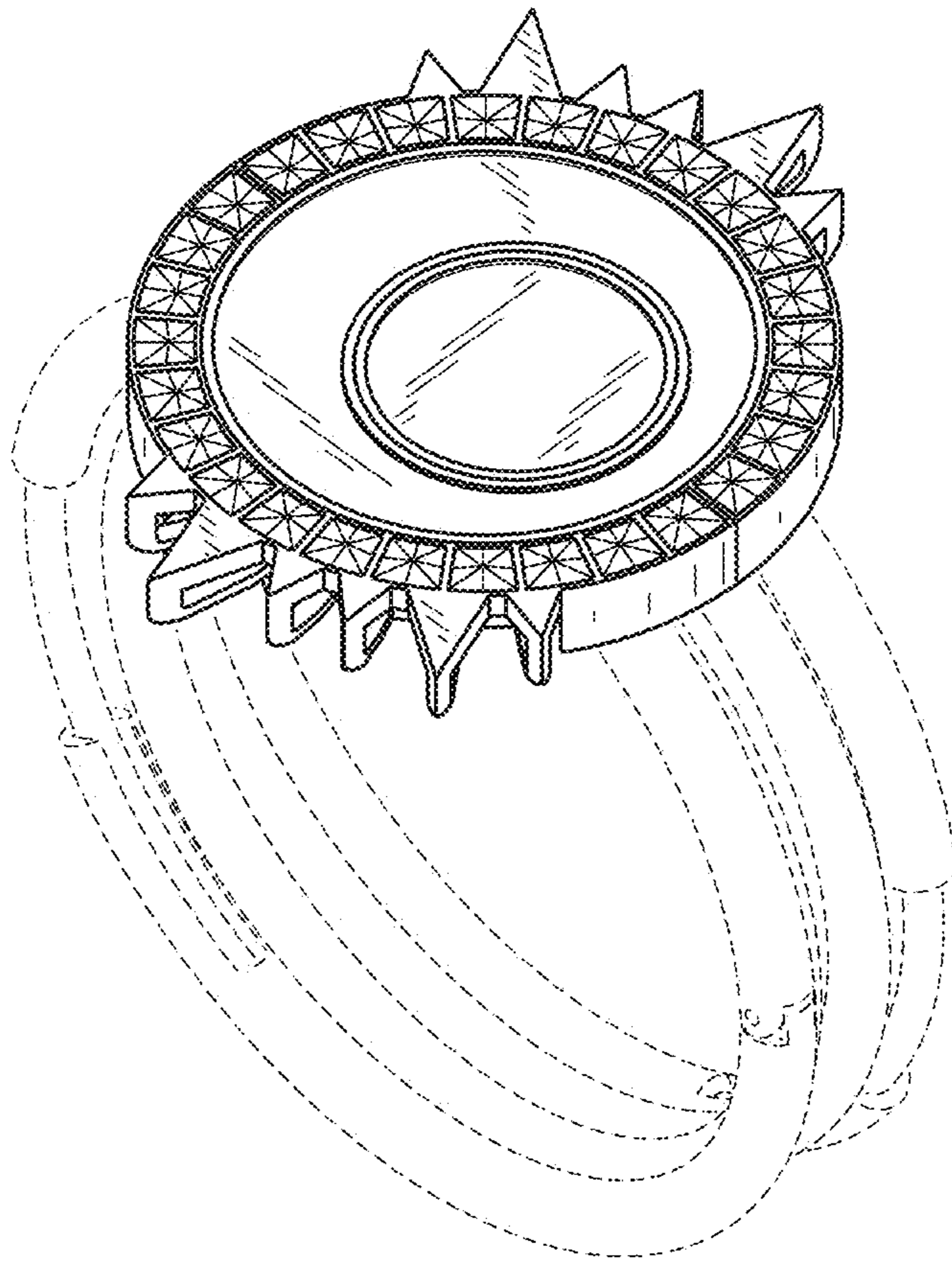


FIG. 25