



US00D900658S

(12) **United States Design Patent** (10) **Patent No.:** **US D900,658 S**  
**Yu** (45) **Date of Patent:** **\*\* Nov. 3, 2020**

(54) **BATTERY WIFI DOORBELL**  
(71) Applicant: **Shenzhen Longzhiyuan Technology Co., Ltd.**, Shenzhen (CN)  
(72) Inventor: **Mengchu Yu**, Shenzhen (CN)  
(73) Assignee: **SHENZHEN LONGZHUYUAN TECHNOLOGY CO., LTD.**, Shenzhen (CN)

D850,314 S \* 6/2019 Laurans ..... D10/118.2  
D850,315 S \* 6/2019 Laurans ..... D10/118.2  
D853,264 S \* 7/2019 Laurans ..... D10/118.2  
D857,629 S \* 8/2019 Taheri ..... D13/119  
D859,200 S \* 9/2019 Siminoff ..... D10/118.2  
D860,848 S \* 9/2019 Park ..... D10/118.2  
D866,379 S \* 11/2019 Siminoff ..... D10/118.2  
D870,587 S \* 12/2019 Siminoff ..... D10/118.2  
D871,483 S \* 12/2019 Chang ..... D16/203  
D874,536 S \* 2/2020 Park ..... D16/203  
D879,640 S \* 3/2020 Jacob ..... D10/118.2

\* cited by examiner

(\*\*) Term: **15 Years**

(21) Appl. No.: **29/679,787**

(22) Filed: **Feb. 9, 2019**

(30) **Foreign Application Priority Data**

Sep. 17, 2018 (CN) ..... 2018 3 05231675

(51) **LOC (12) Cl.** ..... **10-05**

(52) **U.S. Cl.**  
USPC ..... **D10/118.2**

(58) **Field of Classification Search**  
USPC ..... D10/118.2; D16/203; D13/119  
See application file for complete search history.

(56) **References Cited**

**U.S. PATENT DOCUMENTS**

D828,201 S \* 9/2018 Jeong ..... D10/118.2  
D830,872 S \* 10/2018 Jacob ..... D10/118.2  
D836,147 S \* 12/2018 Rao ..... D16/203  
D848,891 S \* 5/2019 Paredes ..... D10/118.2

*Primary Examiner* — George D. Kirschbaum  
(74) *Attorney, Agent, or Firm* — Dragon Sun Law Firm, PC; Jinggao Li, Esq.

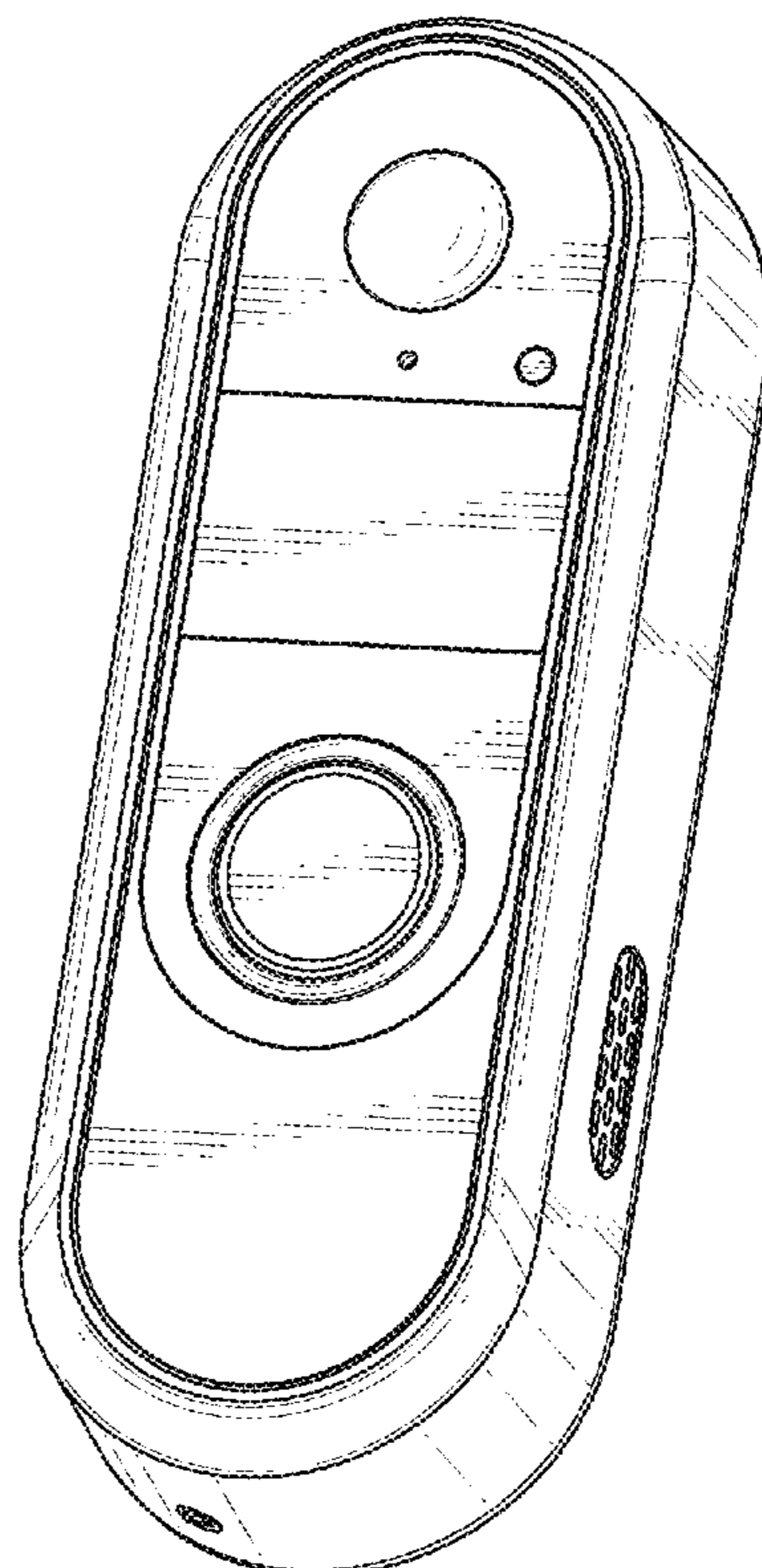
(57) **CLAIM**

The ornamental design for battery WiFi doorbell, as shown and described.

**DESCRIPTION**

FIG. 1 is a front perspective view of battery WiFi doorbell showing my new design;  
FIG. 2 is a rear perspective view thereof;  
FIG. 3 is a front elevational view thereof;  
FIG. 4 is a rear elevational view thereof;  
FIG. 5 is a left elevational view thereof;  
FIG. 6 is a right elevational view thereof;  
FIG. 7 is a top pan view thereof; and,  
FIG. 8 is a bottom pan view thereof.  
The broken lines are for environmental proposes only and form no part of the claimed design.

**1 Claim, 8 Drawing Sheets**



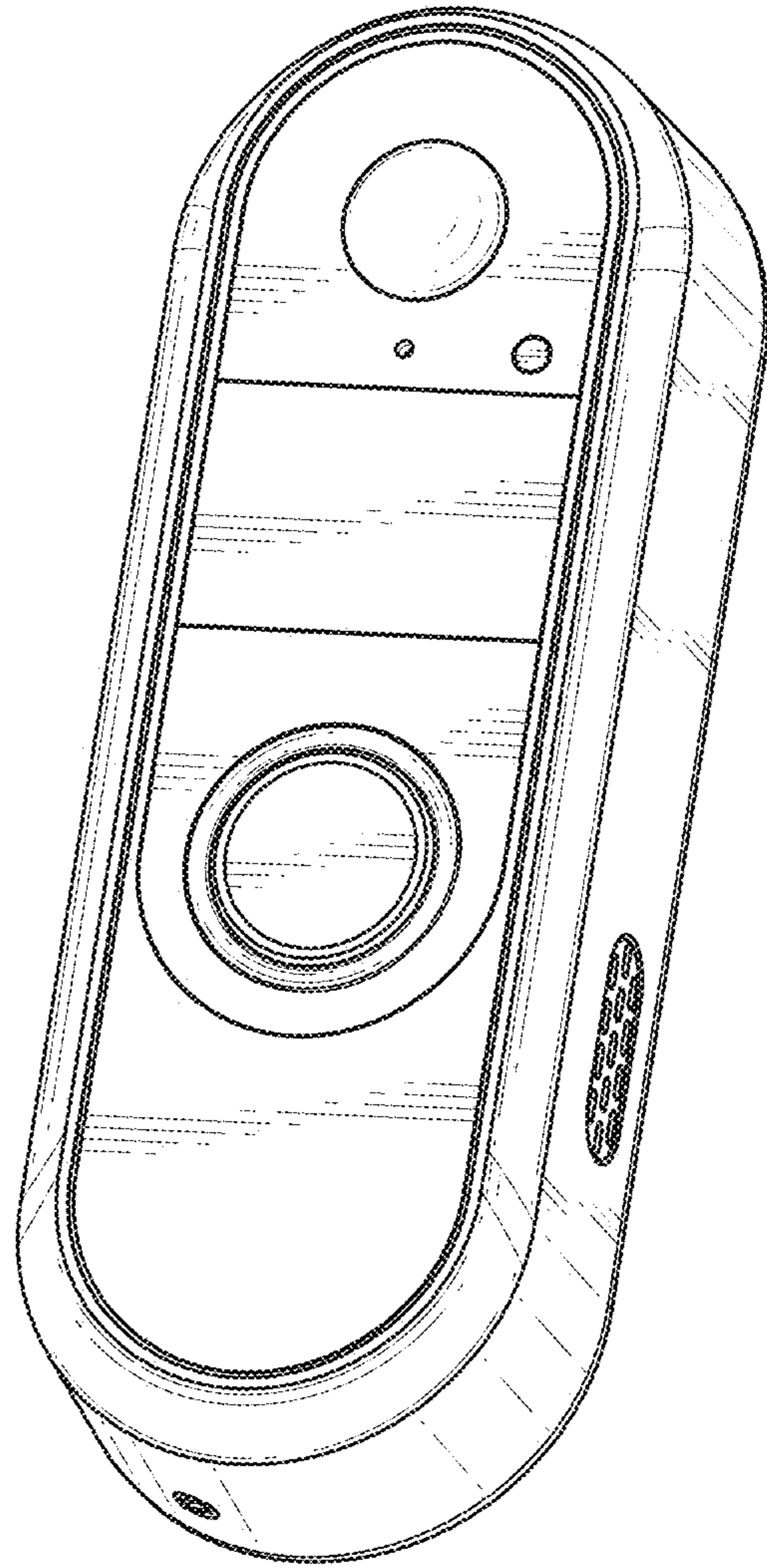


FIG. 1

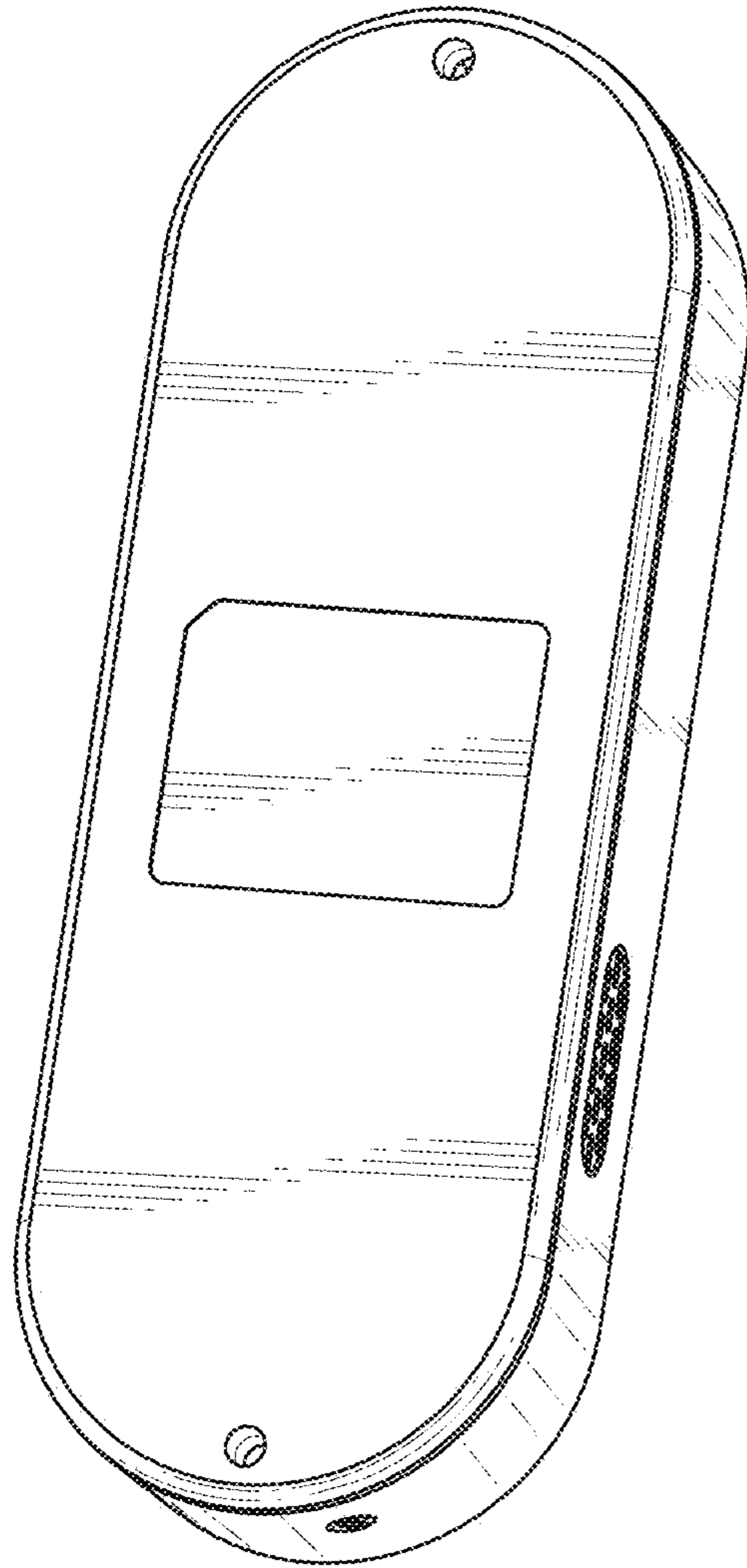


FIG. 2

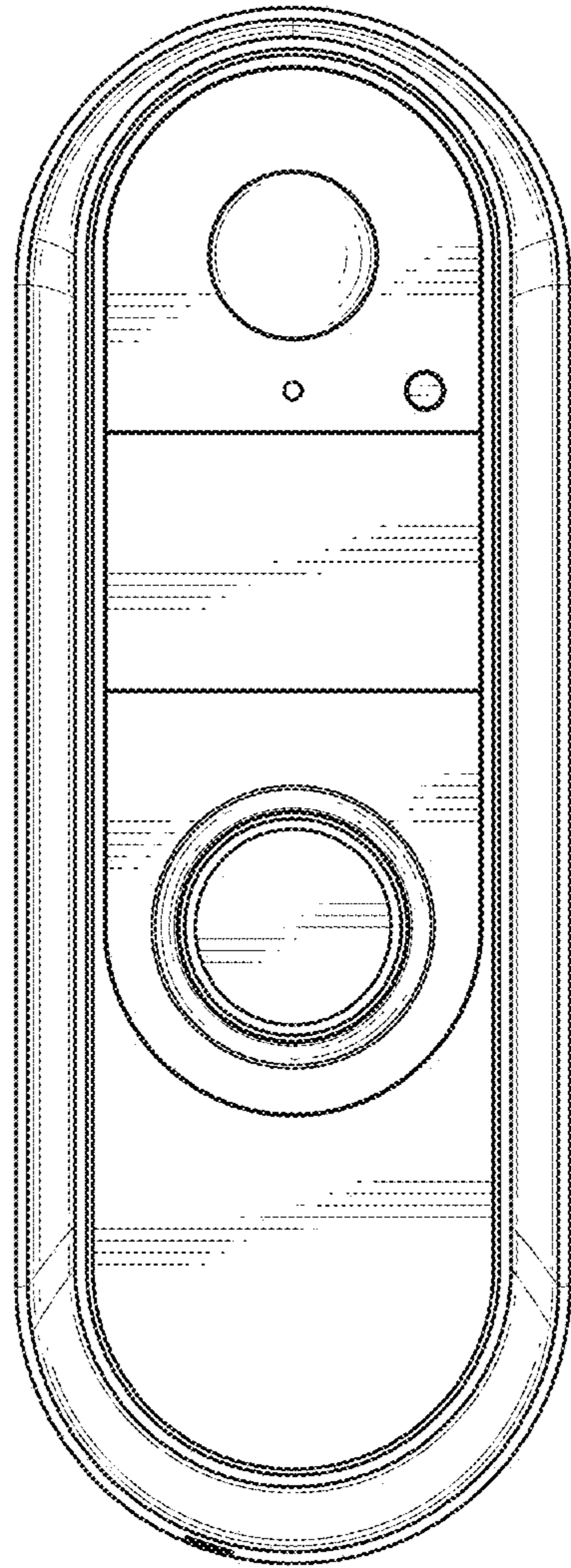


FIG. 3

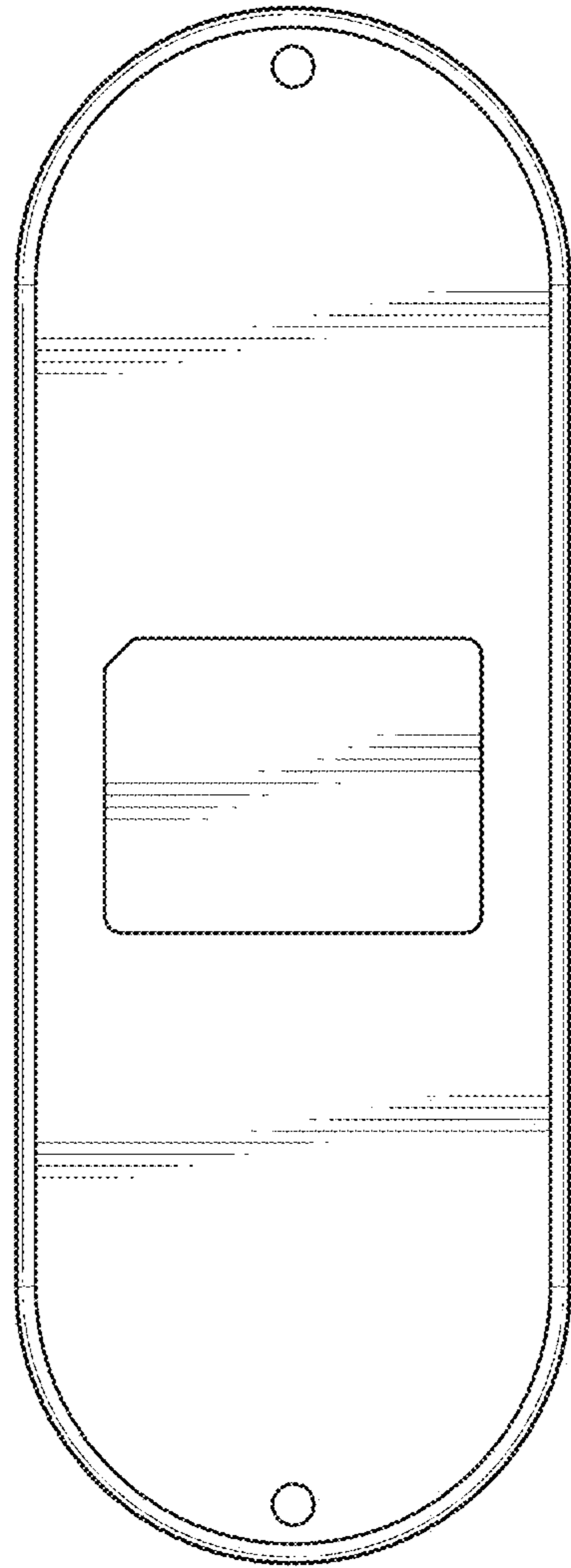


FIG. 4

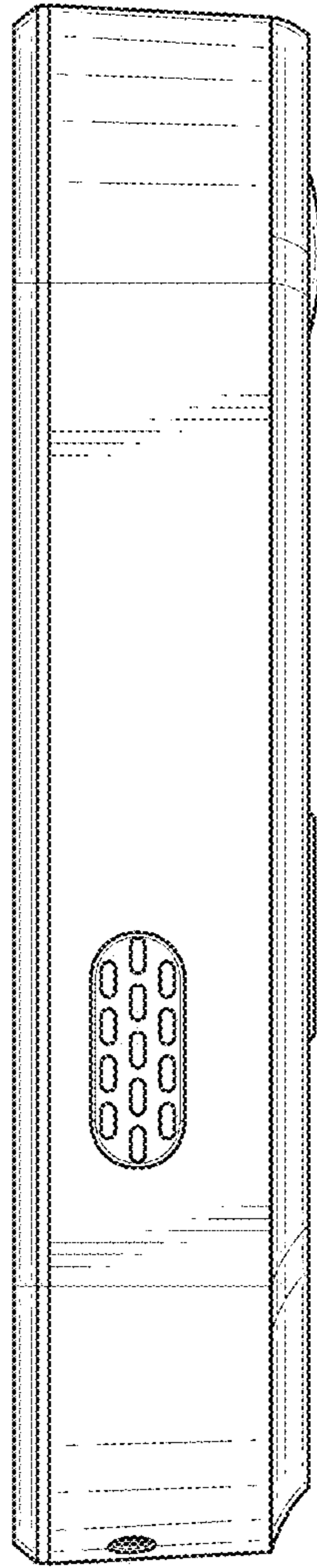


FIG. 5

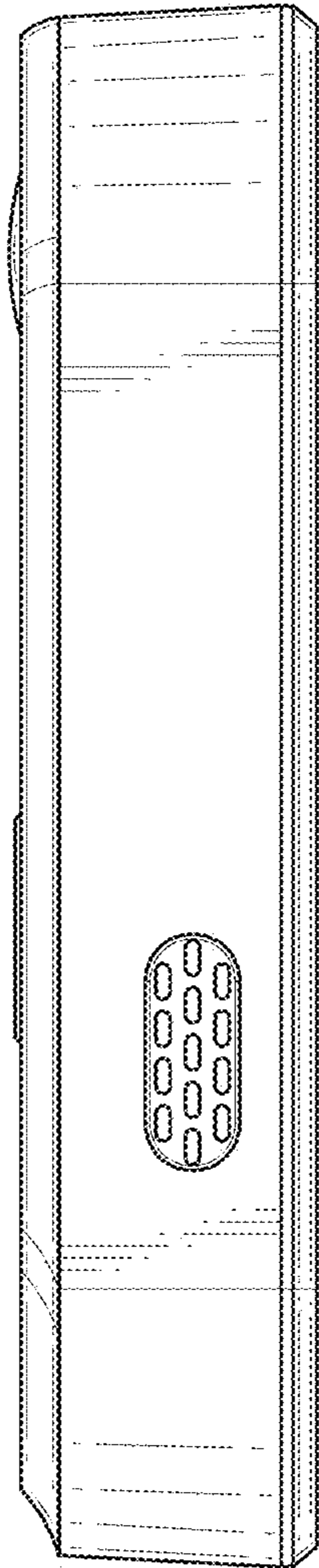


FIG. 6

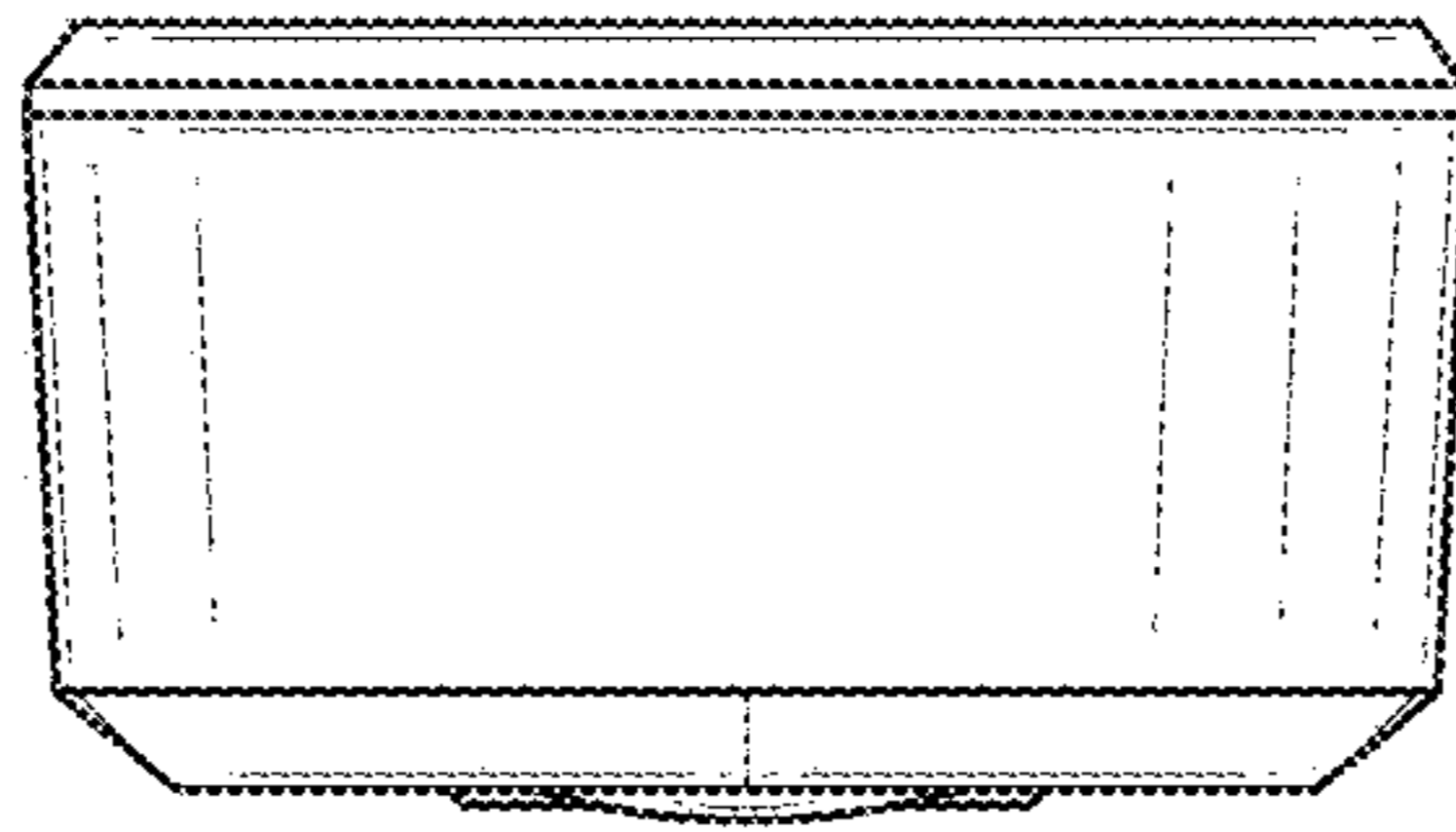


FIG. 7



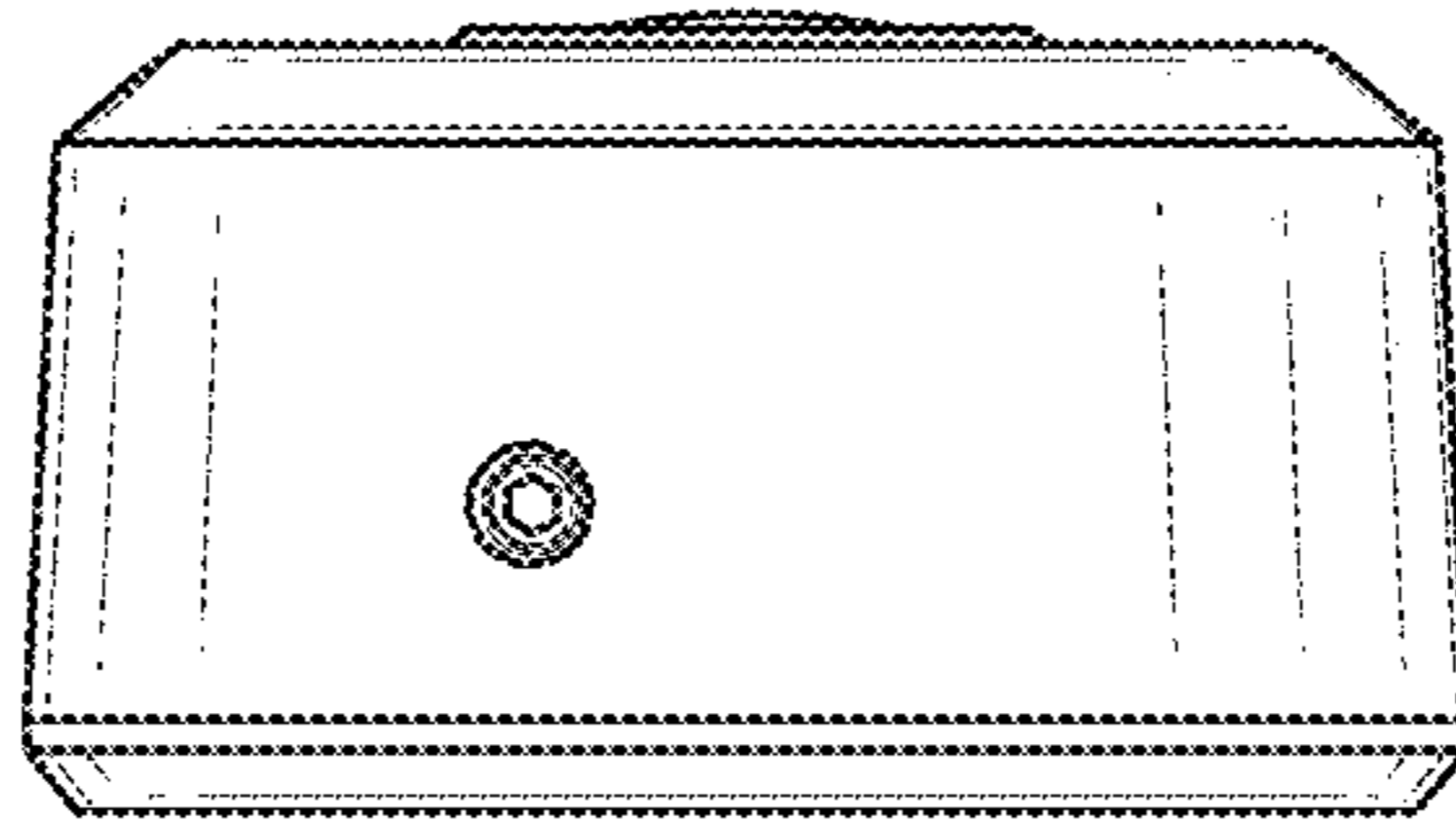


FIG. 8