



US00D900657S

(12) **United States Design Patent** (10) **Patent No.:** **US D900,657 S**
Kim (45) **Date of Patent:** **** Nov. 3, 2020**

(54) **OIL SIGHT GLASS**
(71) Applicant: **Solge Corporation**, Daegu (KR)
(72) Inventor: **Tae Heon Kim**, Daegu (KR)
(73) Assignee: **SOLGE CORPORATION**, Daegu (KR)
(**) Term: **15 Years**
(21) Appl. No.: **29/688,415**
(22) Filed: **Apr. 22, 2019**
(30) **Foreign Application Priority Data**
Mar. 27, 2019 (KR) 30-2019-0014079
(51) **LOC (12) Cl.** **10-01**
(52) **U.S. Cl.**
USPC **D10/96; D15/150**
(58) **Field of Classification Search**
USPC D10/96, 99, 101, 102; D15/150
CPC B67D 7/565; G01F 23/56; Y10T 137/7287
See application file for complete search history.

D712,766 S * 9/2014 Matusik D10/96
D712,767 S * 9/2014 Matusik D10/96
D796,257 S * 9/2017 Levy D7/397
D834,976 S * 12/2018 Cooper D10/96

* cited by examiner
Primary Examiner — Patricia A Palasik
(74) *Attorney, Agent, or Firm* — Cantor Colburn LLP

(57) **CLAIM**
The ornamental design for an oil sight glass, as shown and described.

DESCRIPTION

FIG. 1 is a front perspective view of an oil sight glass, showing my new design;
FIG. 2 is a front view thereof;
FIG. 3 is a rear view thereof;
FIG. 4 is a left side view thereof;
FIG. 5 is a right side view thereof;
FIG. 6 is a top view thereof;
FIG. 7 is a bottom view thereof;
FIG. 8 is a bottom perspective view thereof;
FIG. 9 is an exploded front perspective view thereof;
FIG. 10 is a part view of the portion '10' in FIG. 9;
FIG. 11 is a part view of the portion '11' in FIG. 9; and,
FIG. 12 is another front view thereof in an environment of use.
Oblique line shading in the figures depict a transparent surface and forms no part of the claimed design.
The dash broken lines in FIG. 9 show the locations from which the part views FIGS. 10 and 11 are taken and form no part of the claimed design.
The dash-dash broken lines in FIG. 12 depict environmental subject matter and form no part of the claimed design.

(56) **References Cited**
U.S. PATENT DOCUMENTS
D385,951 S * 11/1997 Szymanski D23/237
D402,220 S * 12/1998 Clifton D10/96
6,082,972 A * 7/2000 Moore, Jr. et al. G01F 23/02
417/53
D689,108 S * 9/2013 Kile D15/150
D703,558 S * 4/2014 Matusik D10/96
D703,559 S * 4/2014 Matusik D10/96
D703,560 S * 4/2014 Matusik D10/96
D703,561 S * 4/2014 Matusik D10/96
D708,080 S * 7/2014 Matusik D10/96

1 Claim, 12 Drawing Sheets

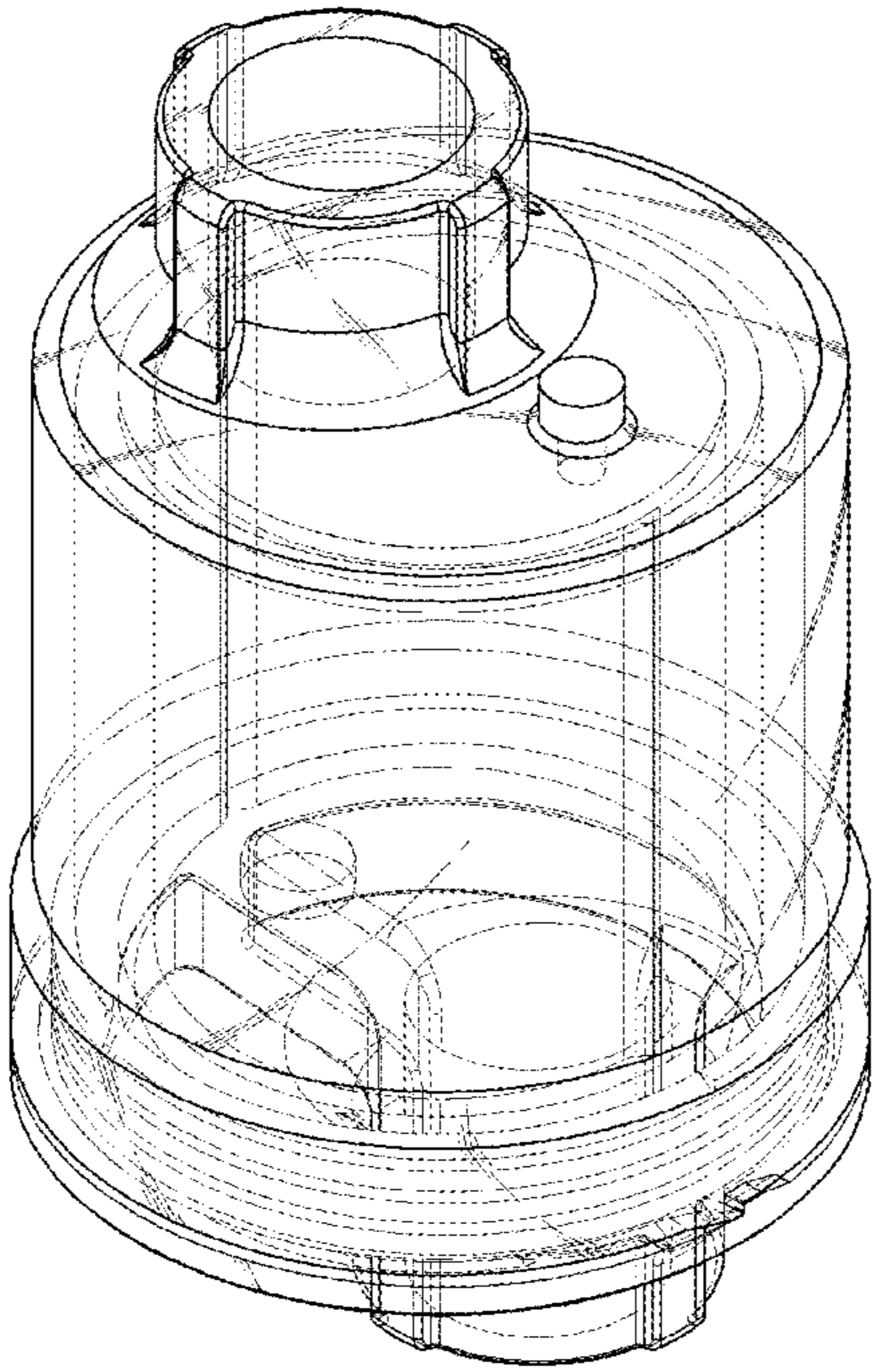


FIG. 1

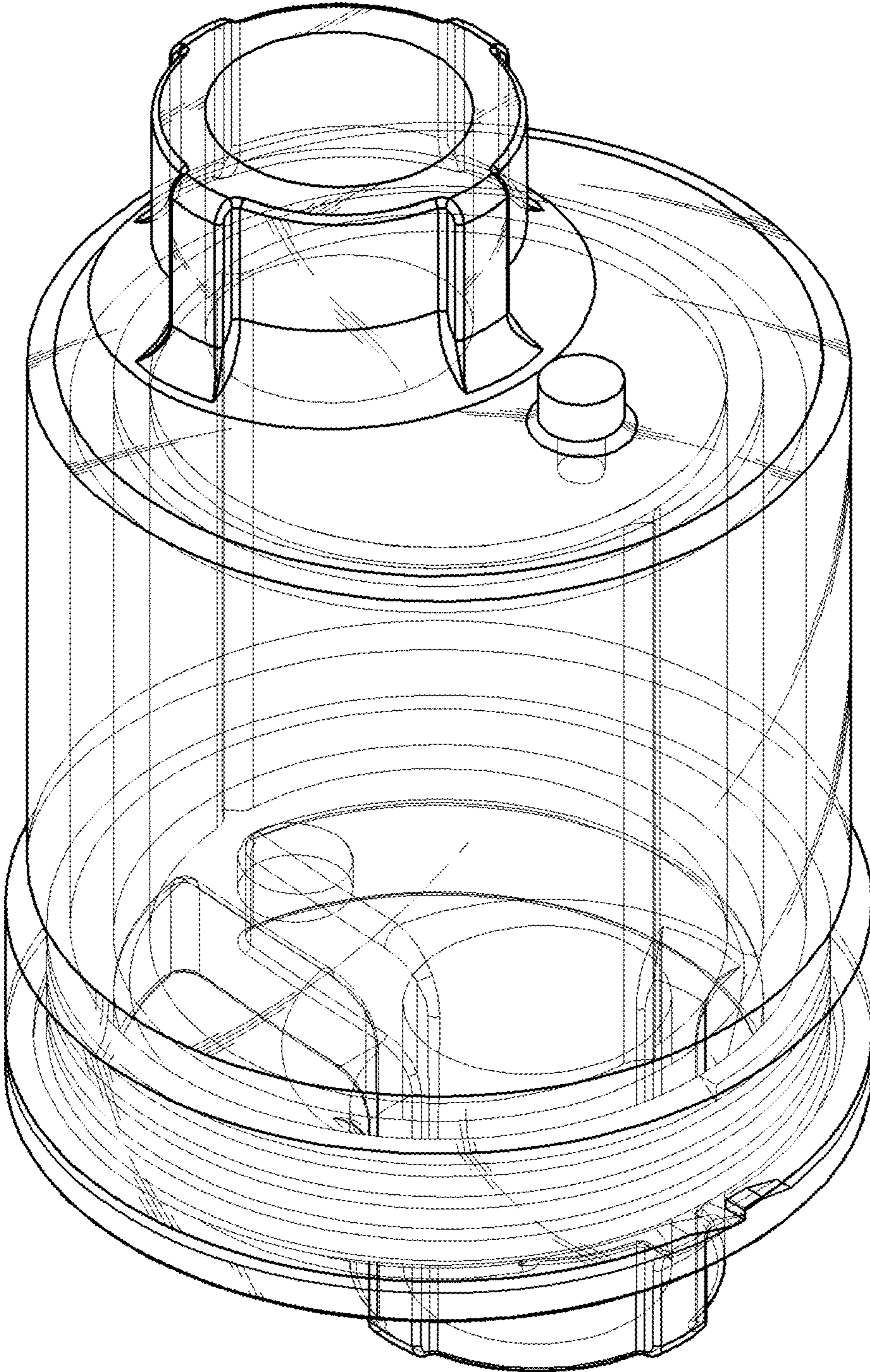


FIG. 2

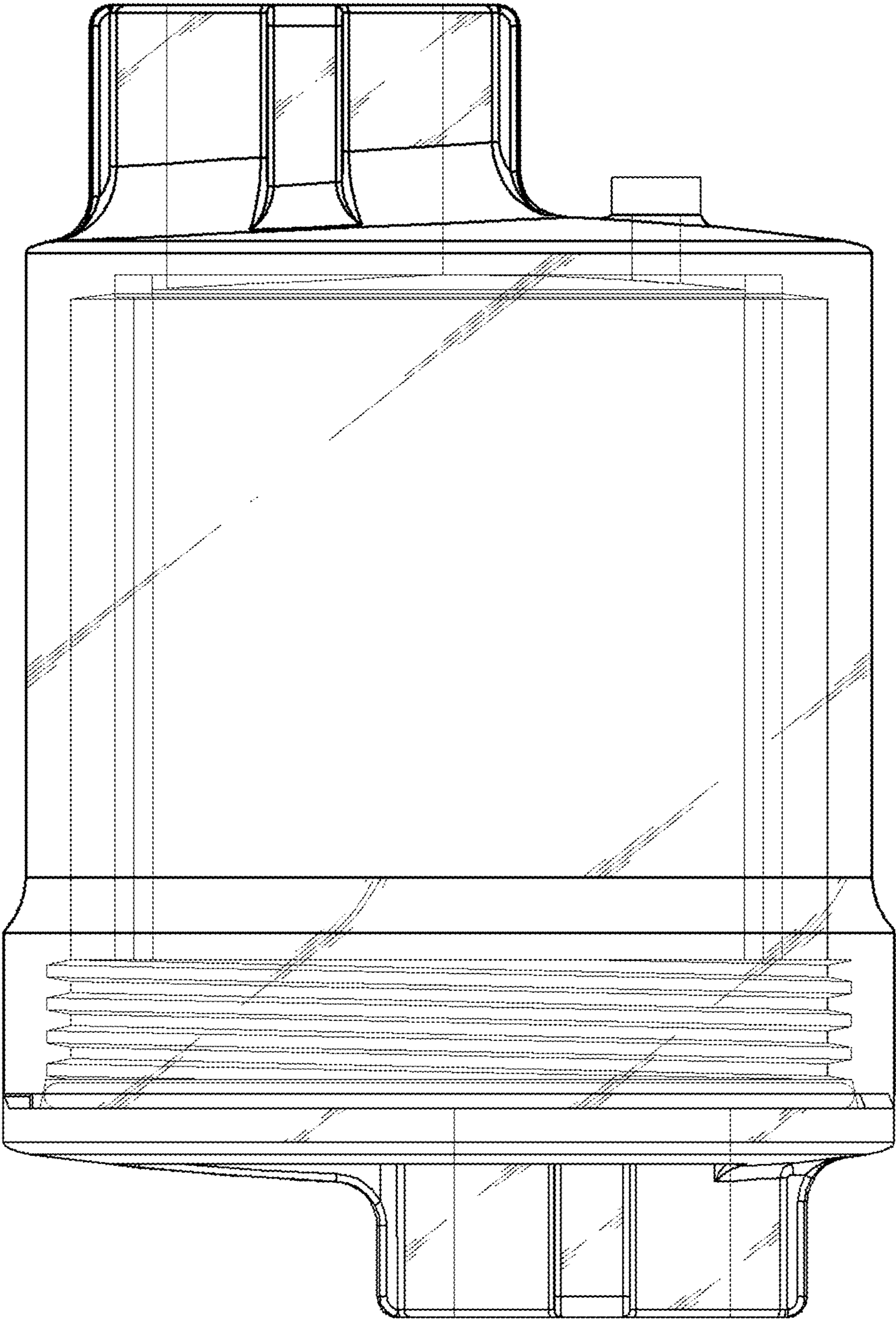


FIG. 3

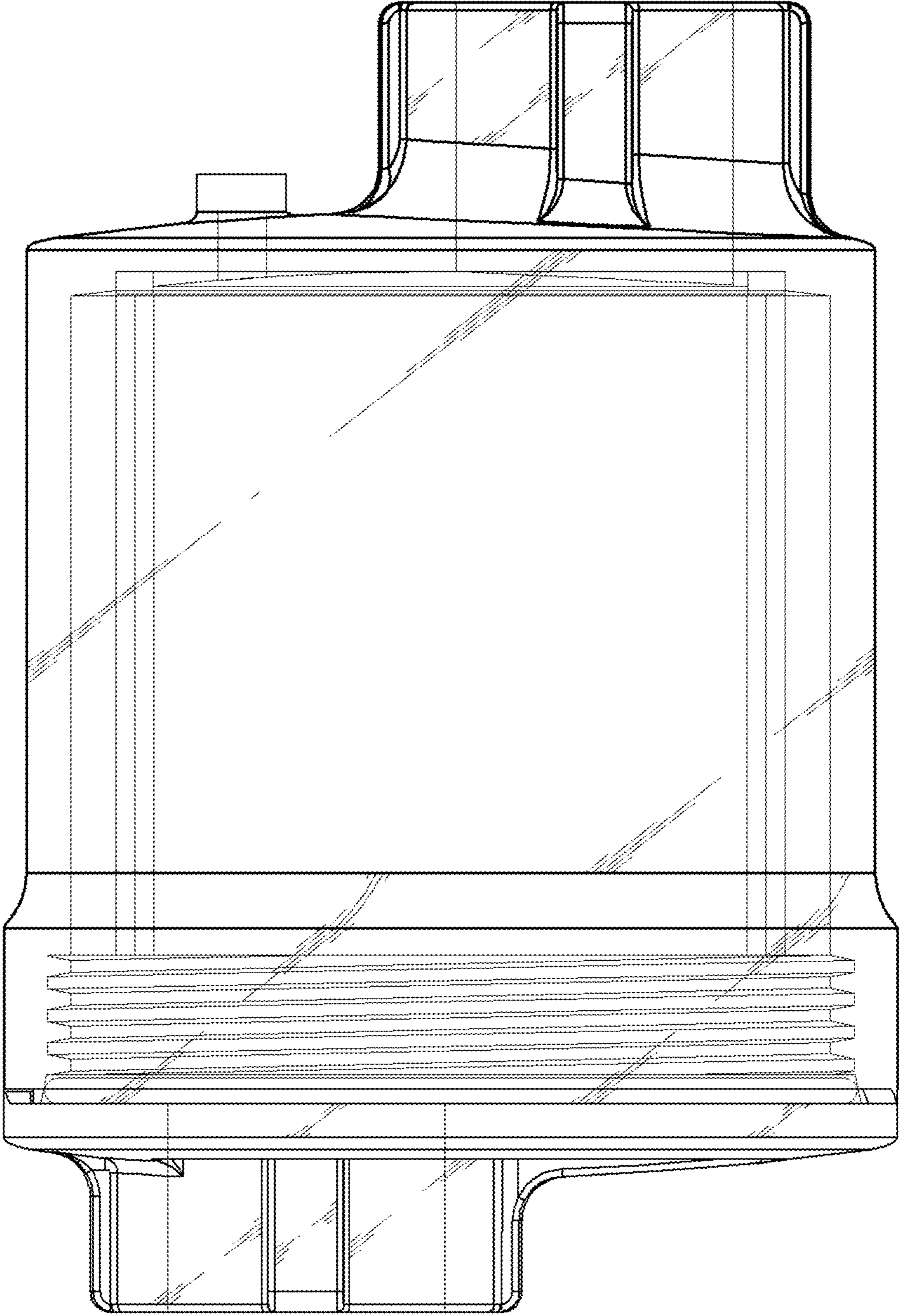


FIG. 4

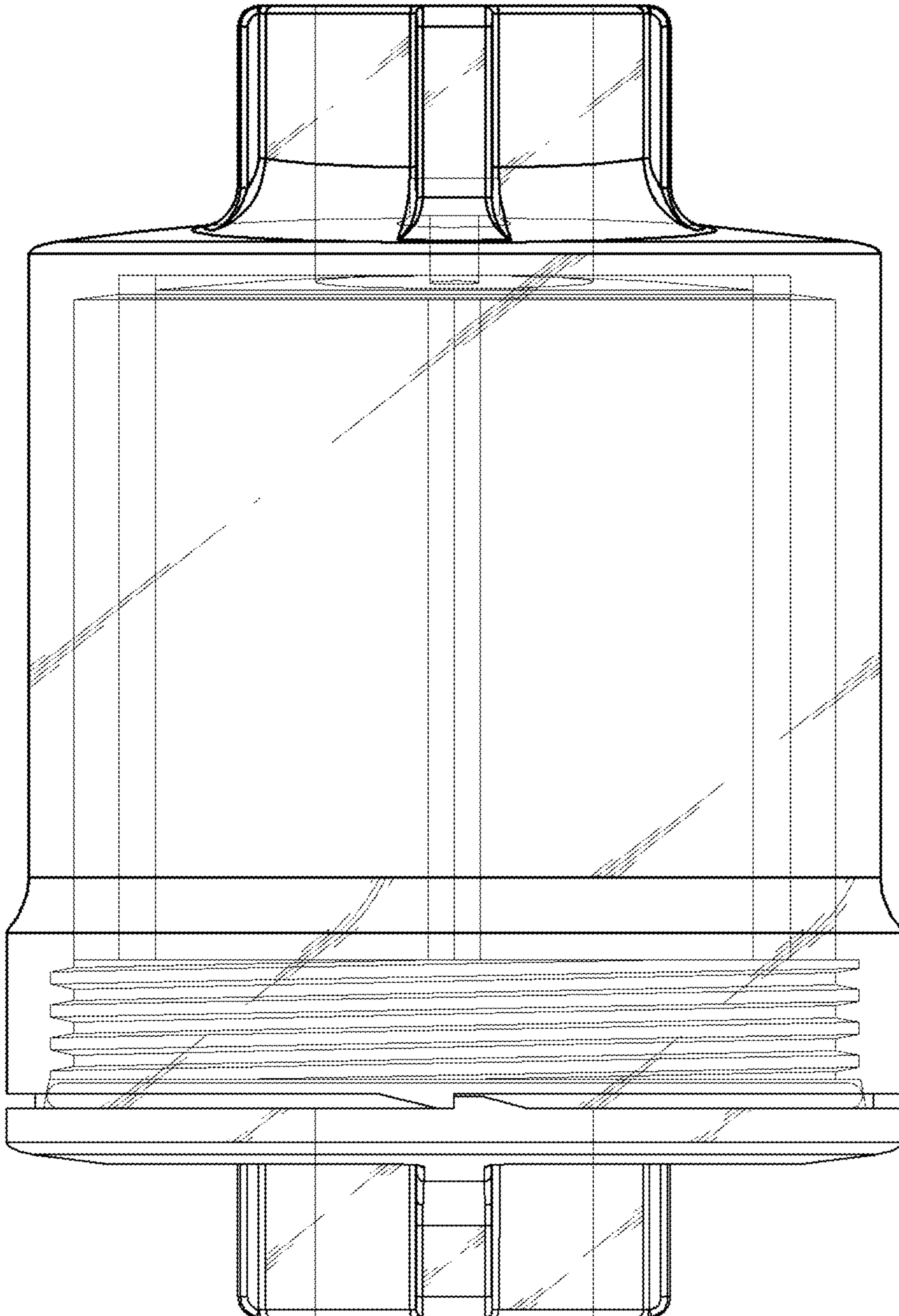


FIG. 5

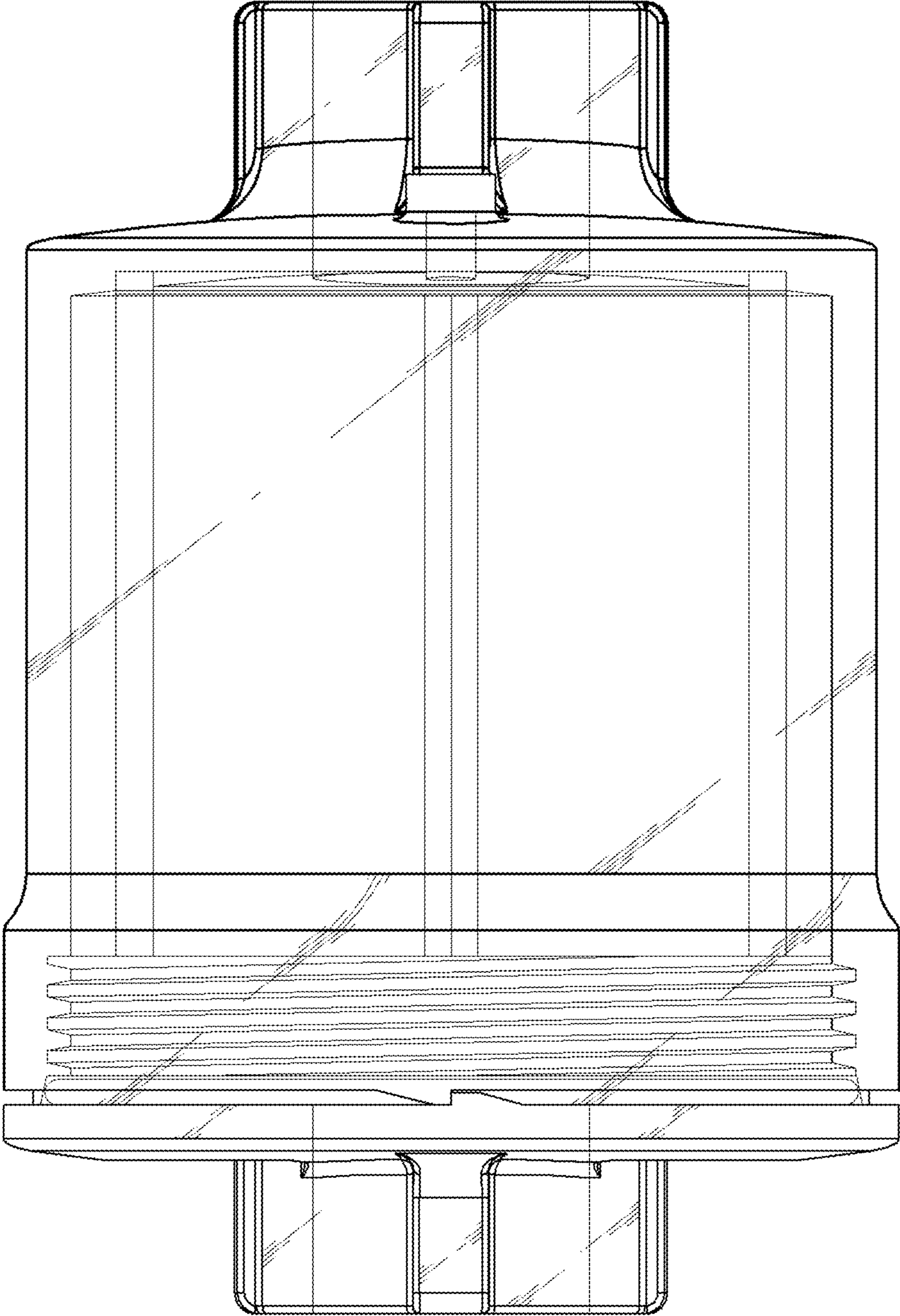


FIG. 6

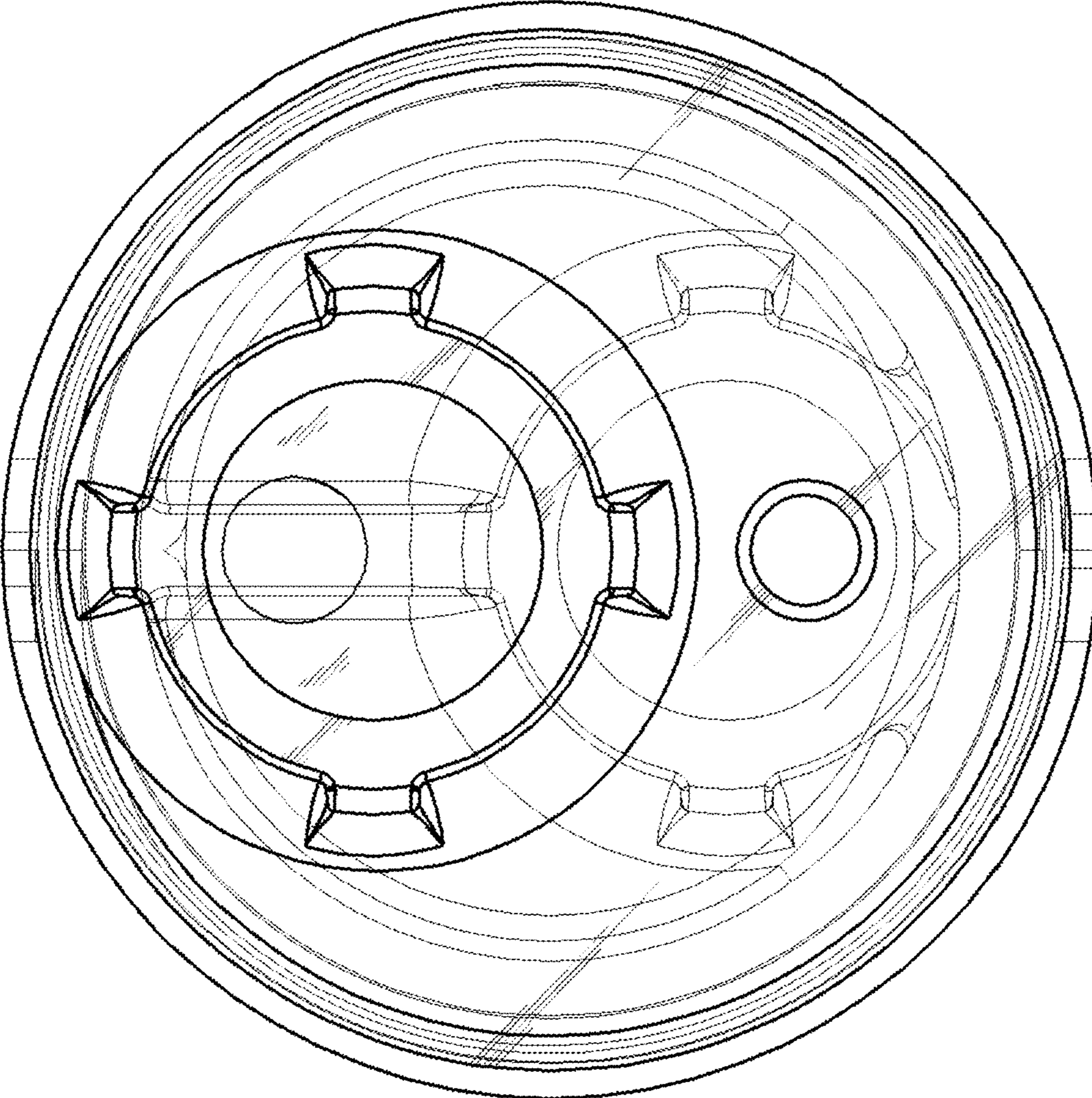


FIG. 7

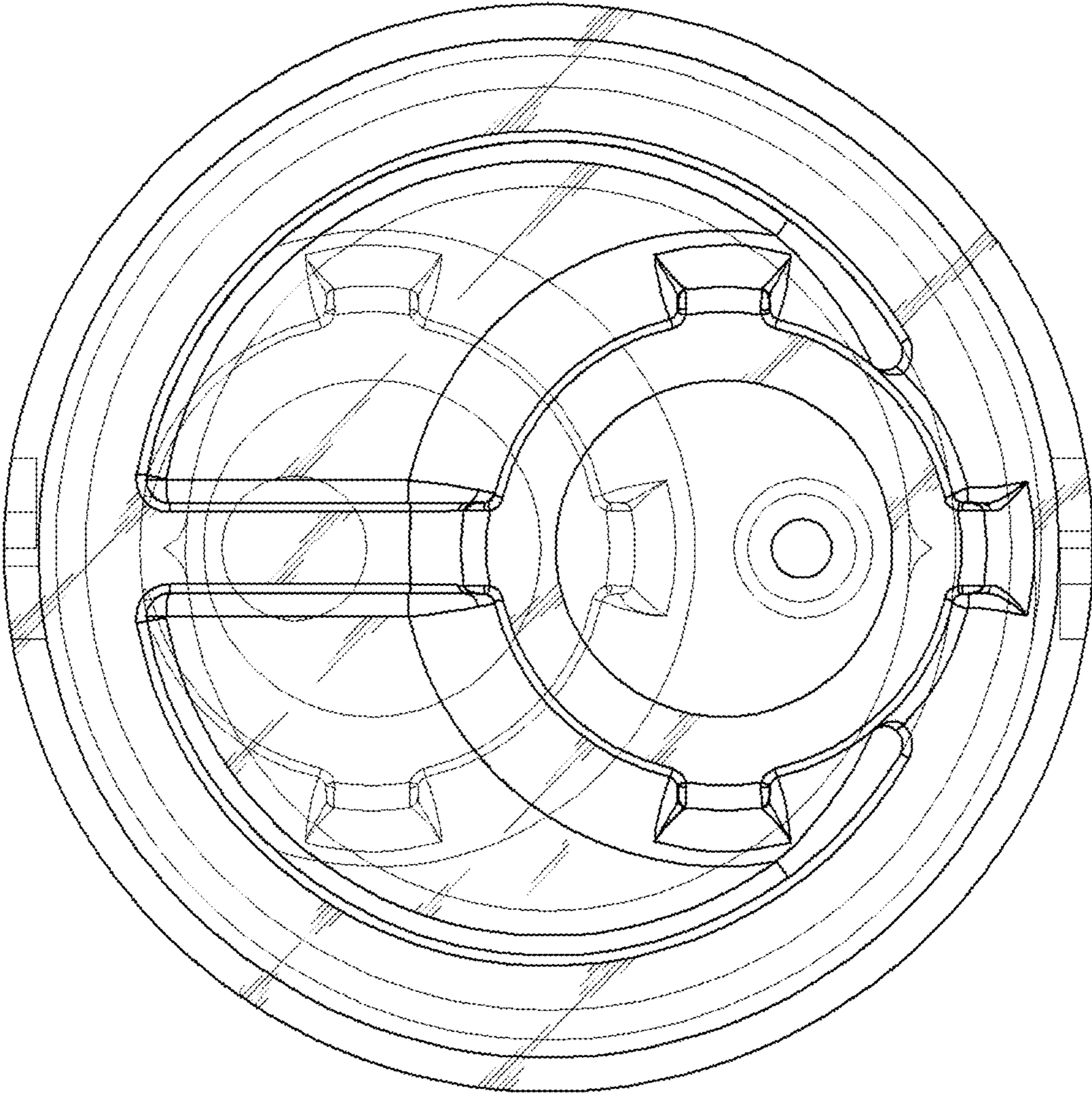


FIG. 8

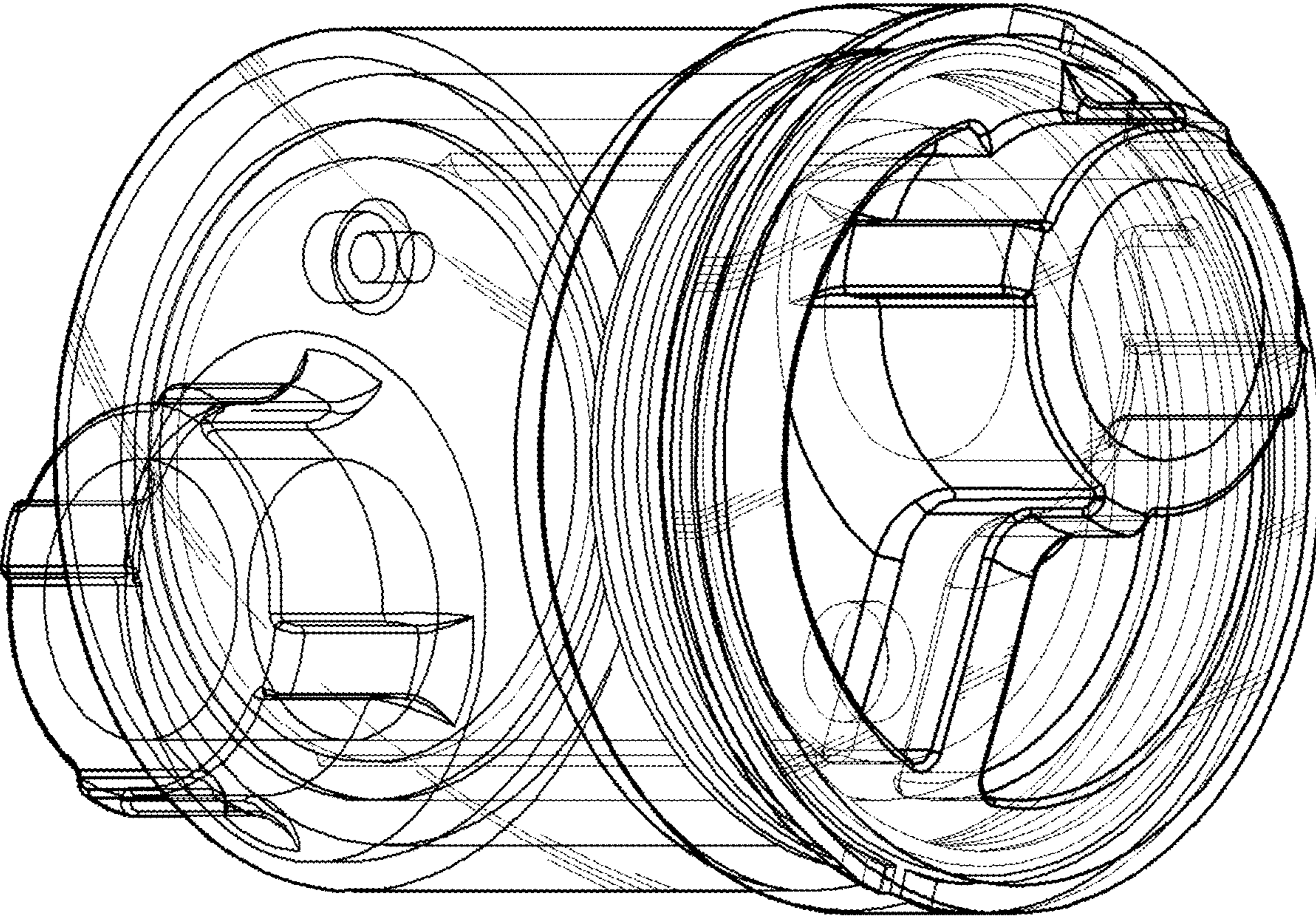


FIG. 9

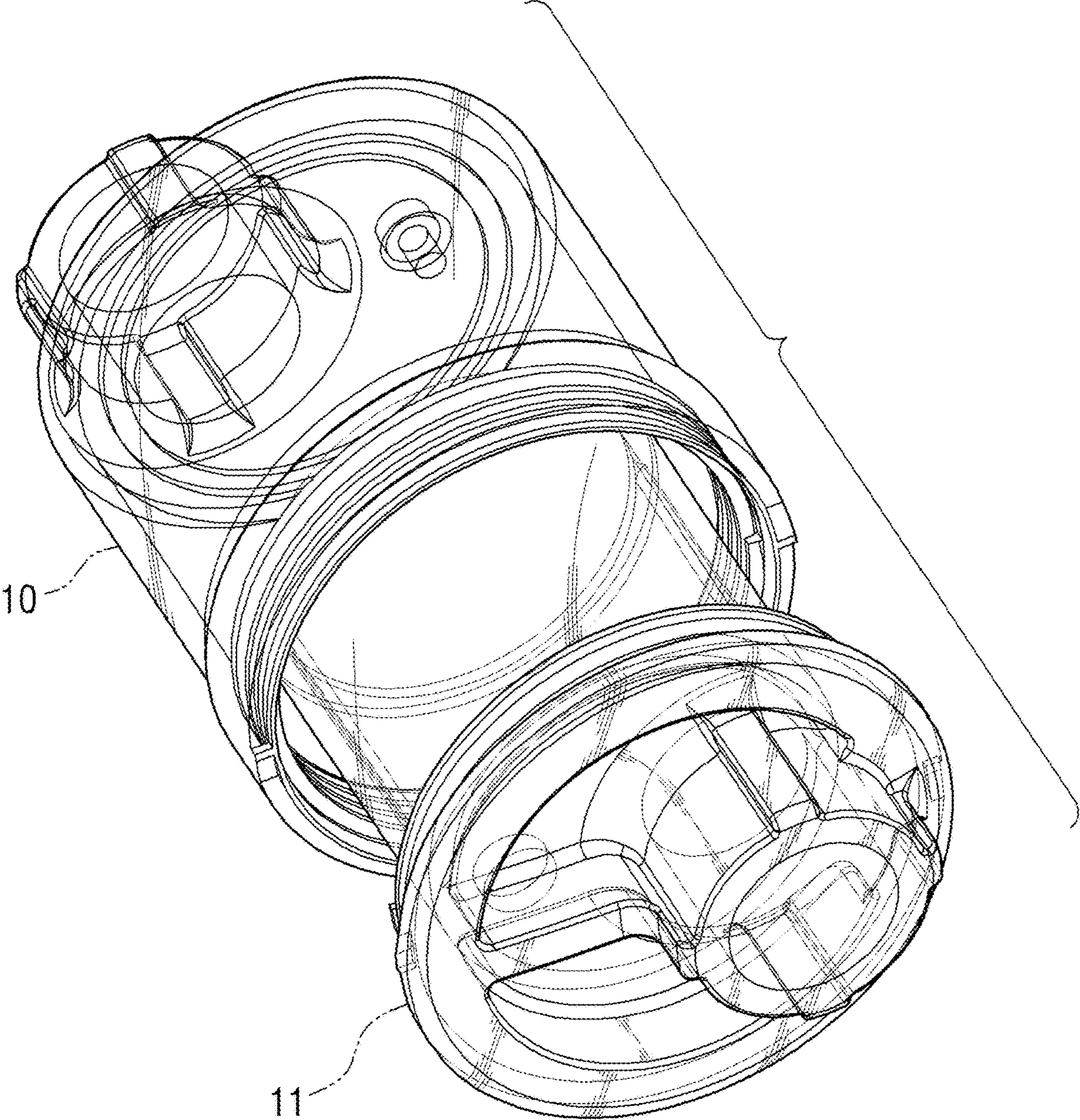


FIG. 10

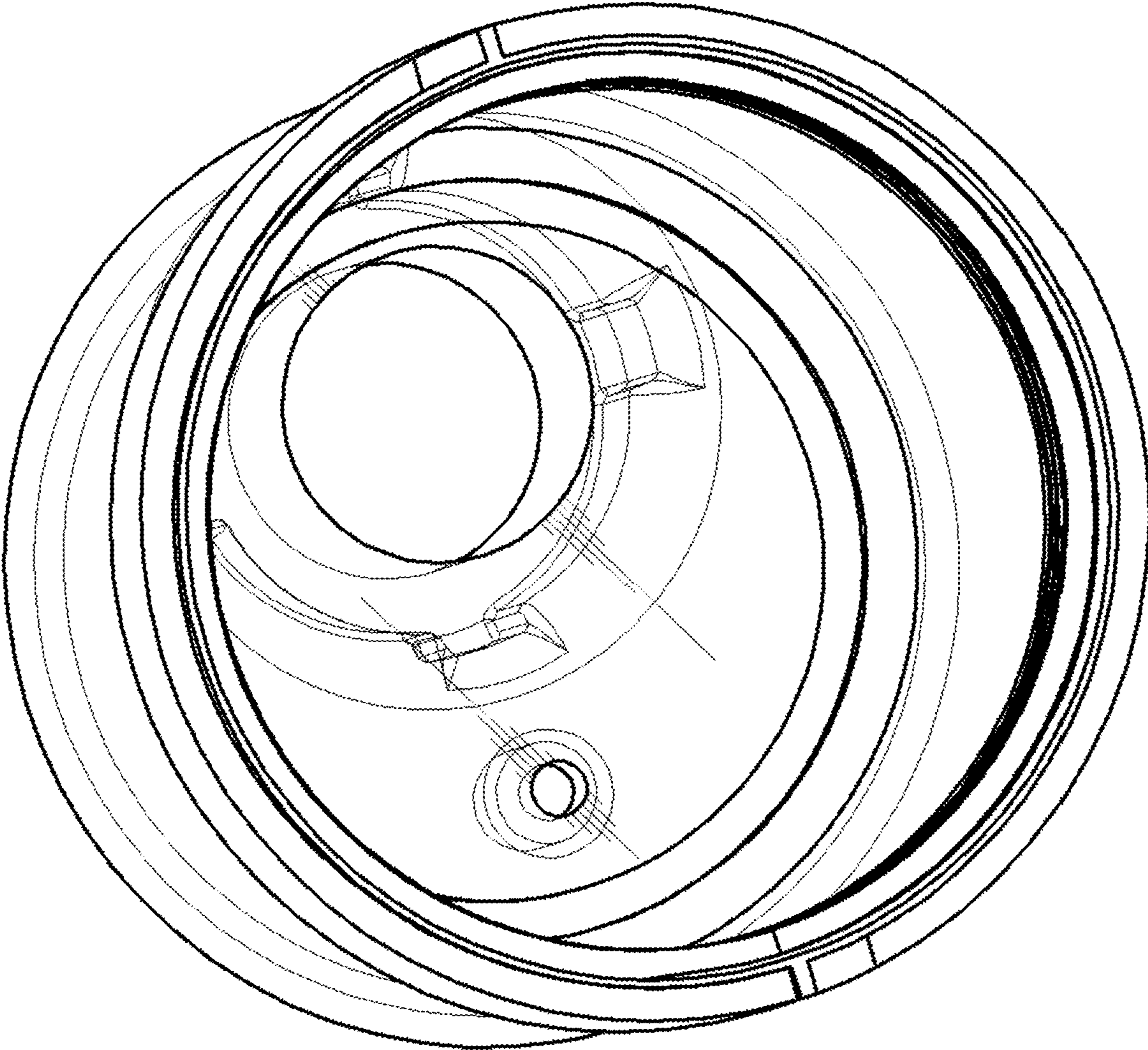


FIG. 11

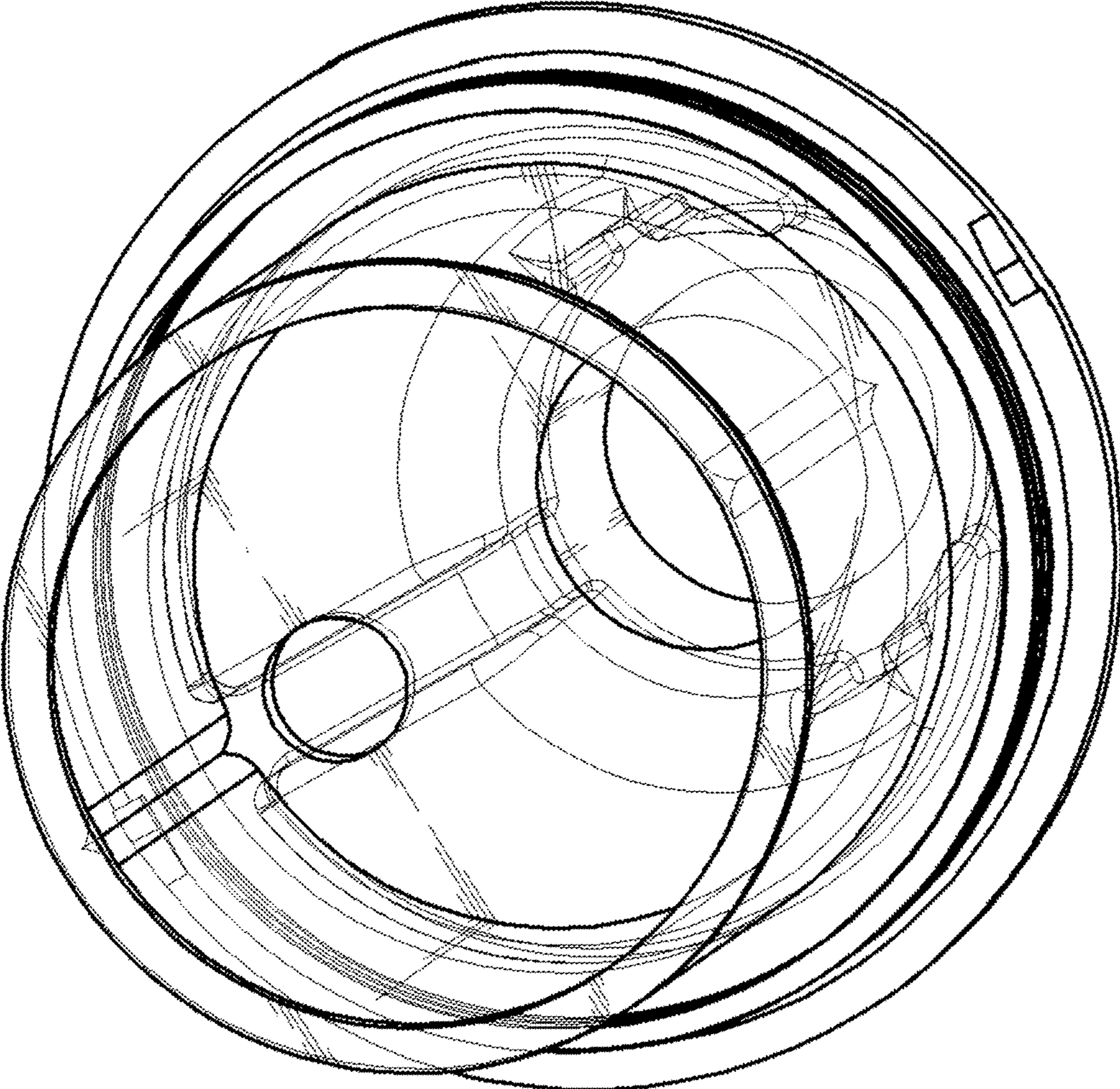


FIG. 12

