



US00D900655S

(12) **United States Design Patent**
Rocholl Gullon

(10) **Patent No.:** **US D900,655 S**

(45) **Date of Patent:** **** Nov. 3, 2020**

(54) **HANDHELD SPECTRUM ANALYZER**

(71) Applicant: **RF Explorer Technologies SL**, Madrid
(ES)

(72) Inventor: **Nuri Ariel Rocholl Gullon**, Madrid
(ES)

(**) Term: **15 Years**

(21) Appl. No.: **29/679,037**

(22) Filed: **Feb. 1, 2019**

(51) **LOC (12) Cl.** **10-04**

(52) **U.S. Cl.**
USPC **D10/78; D10/81**

(58) **Field of Classification Search**
USPC D10/78, 81; D24/186, 216
CPC H04W 24/08; H04W 24/00; G01R 23/16
See application file for complete search history.

(56) **References Cited**

U.S. PATENT DOCUMENTS

D332,227 S * 1/1993 Kaneko D10/78
D395,835 S * 7/1998 Okuyama D10/78

D458,167 S * 6/2002 Slocum D10/78
6,888,342 B2 * 5/2005 Bradley G01R 23/16
324/76.19
9,143,952 B2 * 9/2015 Woodings G01R 23/16

* cited by examiner

Primary Examiner — Antoine Duval Davis

(74) *Attorney, Agent, or Firm* — Prakash Nama; Global IP Services, PLLC

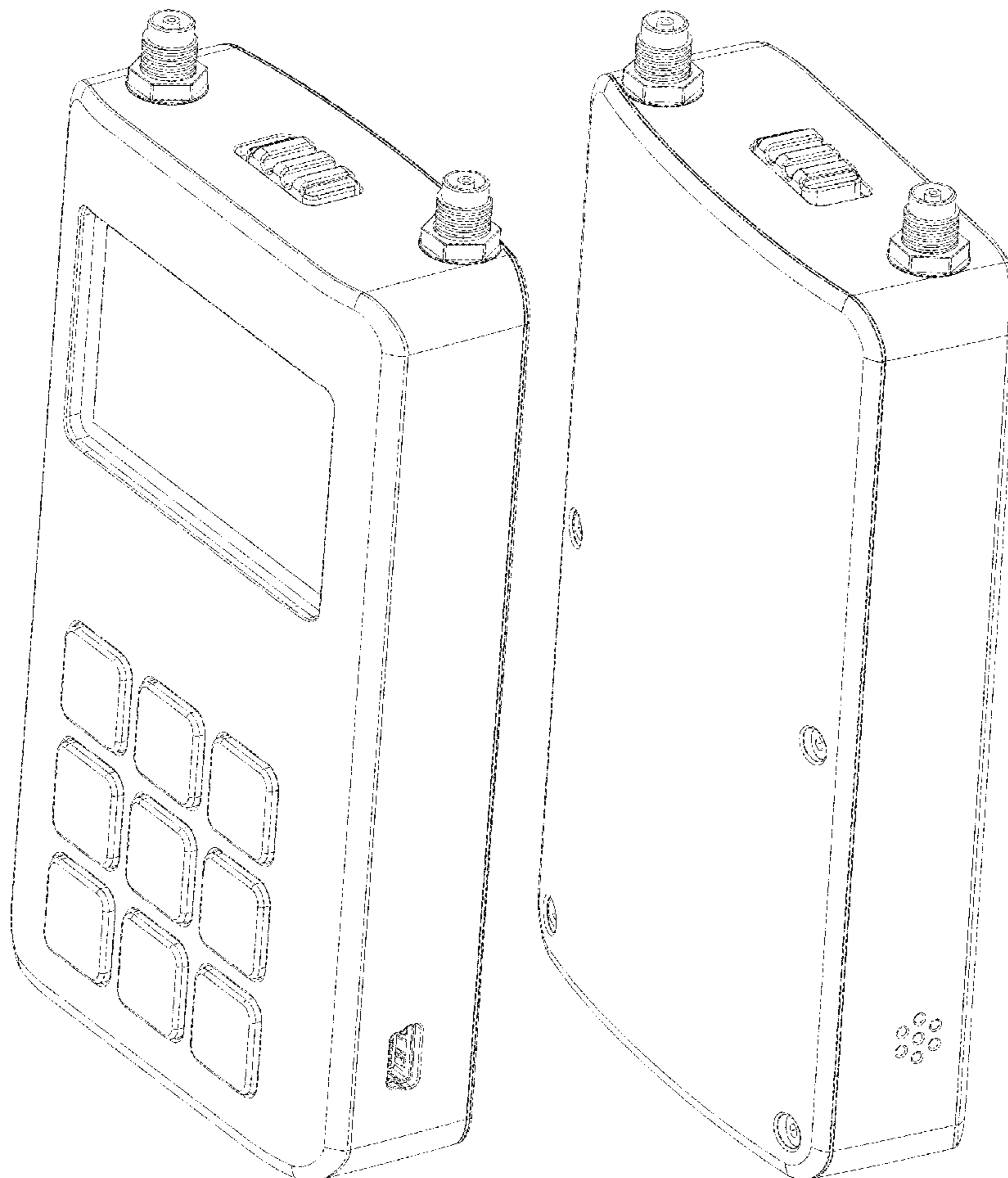
(57) **CLAIM**

The ornamental design for a handheld spectrum analyzer, as shown and described.

DESCRIPTION

FIG. 1 is a front elevational view of a handheld spectrum analyzer showing my new design; FIG. 2 is a rear elevational view thereof; FIG. 3 is a left side view thereof; FIG. 4 is a right side view thereof; FIG. 5 is a top plan view thereof; FIG. 6 is a bottom plan view thereof; FIG. 7 is a perspective view thereof; and, FIG. 8 is another perspective view thereof. The broken lines shown in Handheld spectrum analyzer form no part of the claimed design.

1 Claim, 8 Drawing Sheets



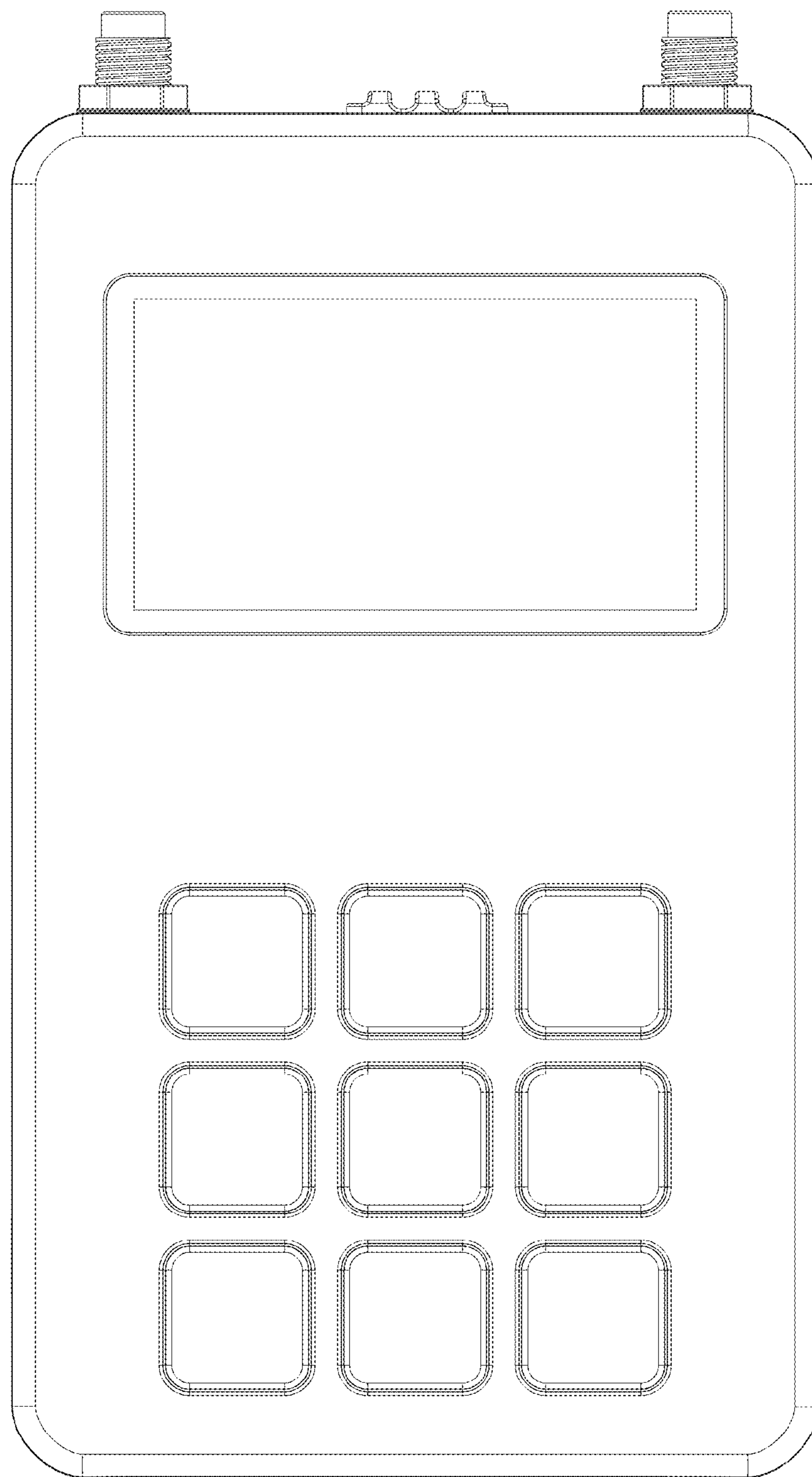


Fig. 1

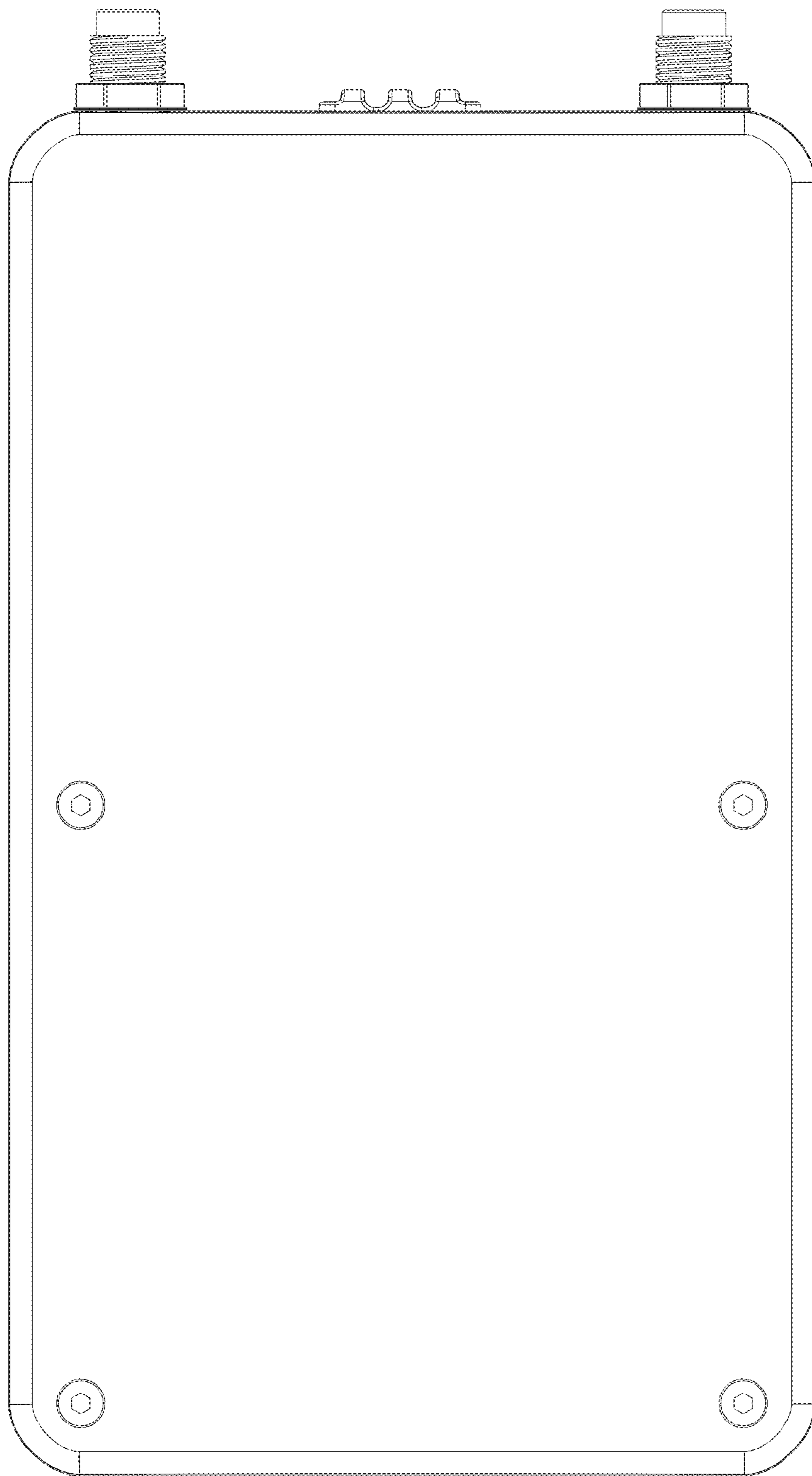


Fig. 2

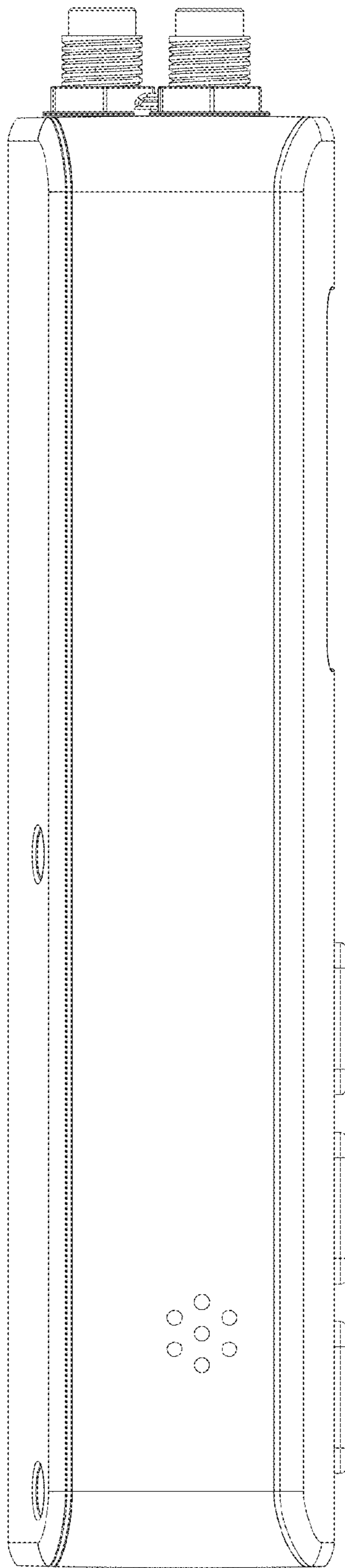


Fig. 3

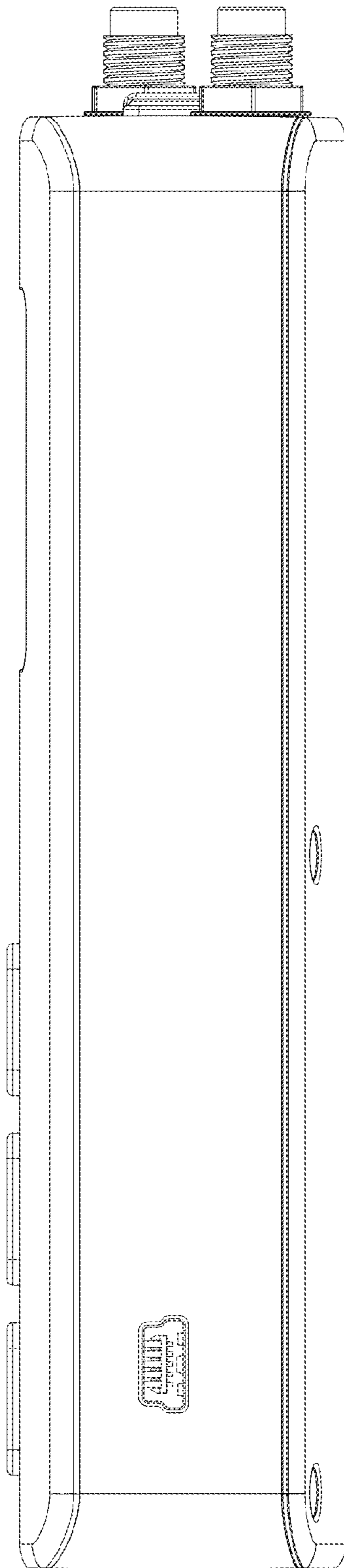


Fig. 4

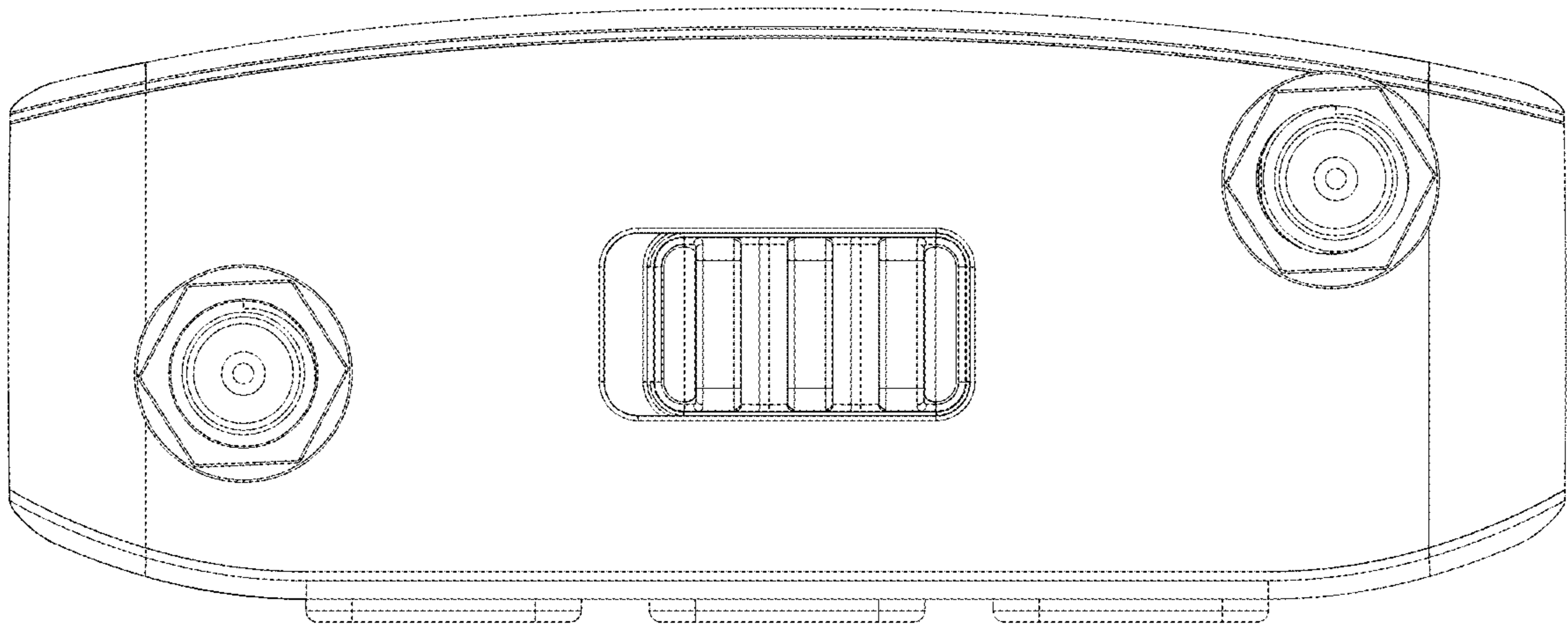


Fig. 5

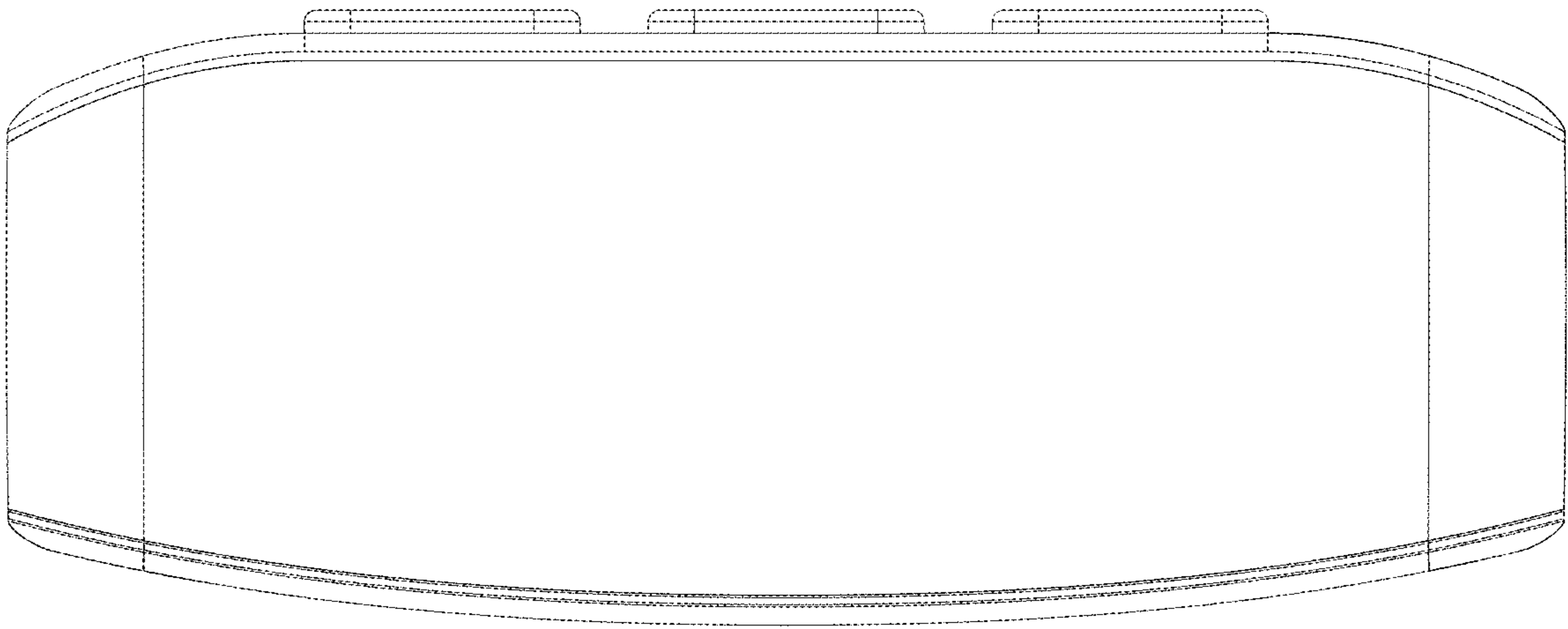


Fig. 6

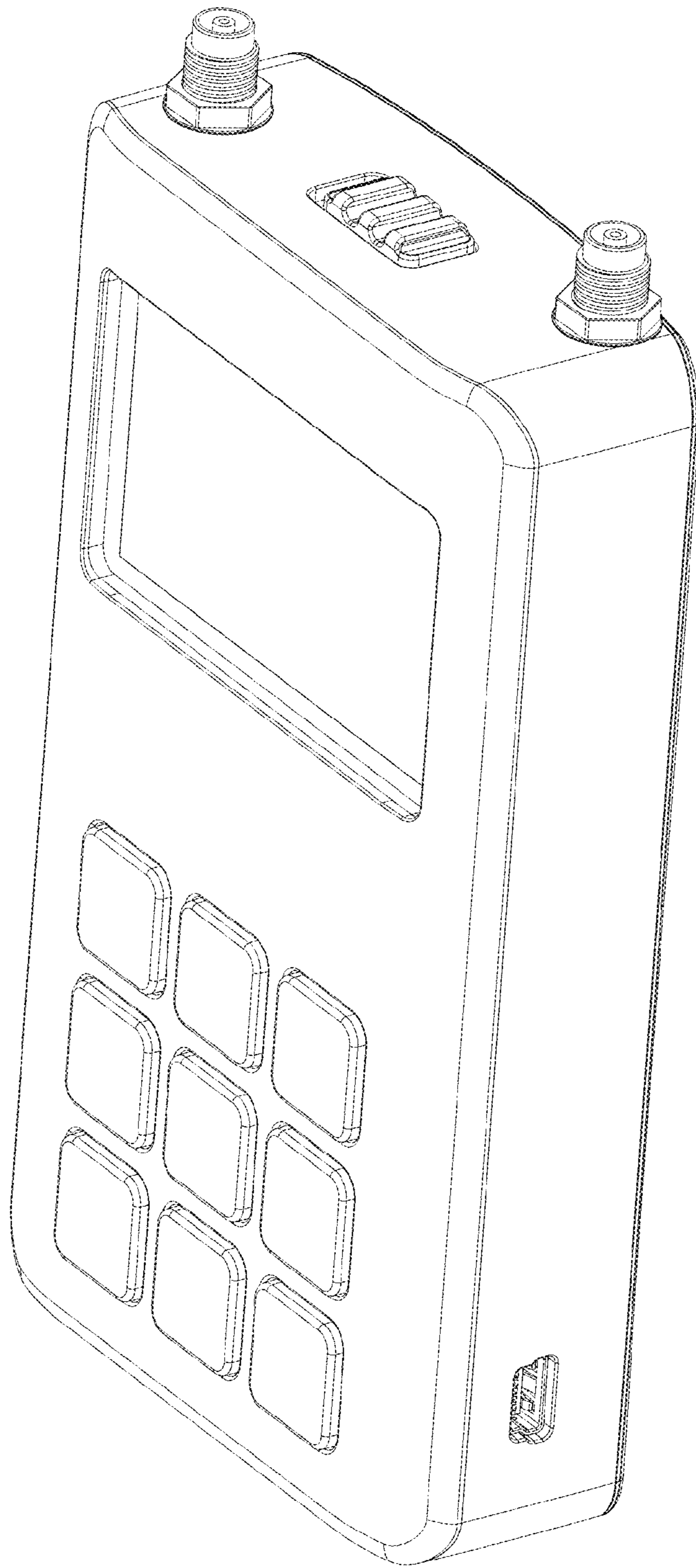


Fig. 7

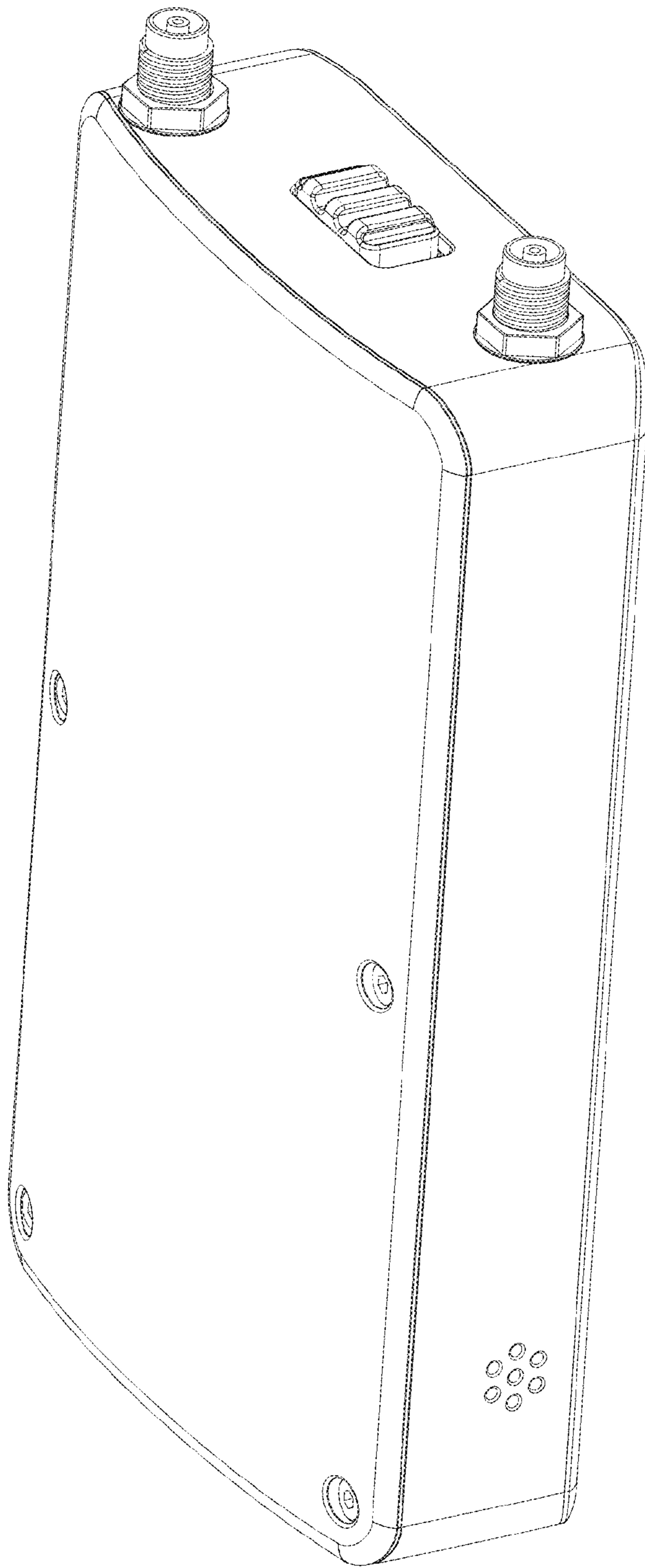


Fig. 8