



US00D900653S

(12) **United States Design Patent** (10) **Patent No.:** **US D900,653 S**
Fischer (45) **Date of Patent:** **** Nov. 3, 2020**

(54) **TELEMATICS DEVICE**
(71) Applicant: **Webfleet Solutions B.V.**, Amsterdam (NL)
(72) Inventor: **Karsten Fischer**, Leipzig (DE)
(73) Assignee: **WEBFLEET SOLUTIONS B.V.**, Amsterdam (NL)
(**) Term: **15 Years**
(21) Appl. No.: **29/647,859**
(22) Filed: **May 16, 2018**
(51) **LOC (12) Cl.** **10-04**
(52) **U.S. Cl.**
USPC **D10/65**
(58) **Field of Classification Search**
USPC D10/65, 68, 70, 78, 80, 104.1, 104.2, D10/106.6; D14/125, 137, 155, 159, D14/203.1, 203.3, 203.8, 240–242, 315, D14/336, 337, 341–343, 356–358, 371, D14/385, 433, 434, 496
CPC G07C 5/02; G07C 5/008; G07C 5/0808; B60R 25/04; B60R 25/33; B60R 25/102; G06F 3/045
See application file for complete search history.

(56) **References Cited**
U.S. PATENT DOCUMENTS
D309,728 S * 8/1990 Nuttall D14/356
D457,823 S * 5/2002 Nolan D10/65
D502,947 S * 3/2005 Zhang D14/385
D577,693 S * 9/2008 King D14/125
D587,607 S * 3/2009 Oas D10/70
7,596,437 B1 * 9/2009 Hunt B60R 16/0207
701/33.2
D606,543 S * 12/2009 Wong D14/358
D654,506 S * 2/2012 Akana D14/496
D670,681 S * 11/2012 Chang D14/242

D678,909 S * 3/2013 Akana D14/203.3
D688,959 S * 9/2013 Arvidsson D10/70
D706,779 S * 6/2014 Kawasaki D14/356
D716,304 S * 10/2014 Orthey D14/385
D726,047 S * 4/2015 Laurino H04W 88/005
D10/78
D739,439 S * 9/2015 Akana D14/496
(Continued)

OTHER PUBLICATIONS

TomTom Link 710 fixed installation vehicle tracking system, online, no post date, URL: <https://www.vtecsolutions.co.uk/technology/link-710/>, retrieved Feb. 14, 2020.*

(Continued)

Primary Examiner — Angela J Lee
Assistant Examiner — Rebekah A Caruso
(74) *Attorney, Agent, or Firm* — Knobbe, Martens, Olson & Bear, LLP

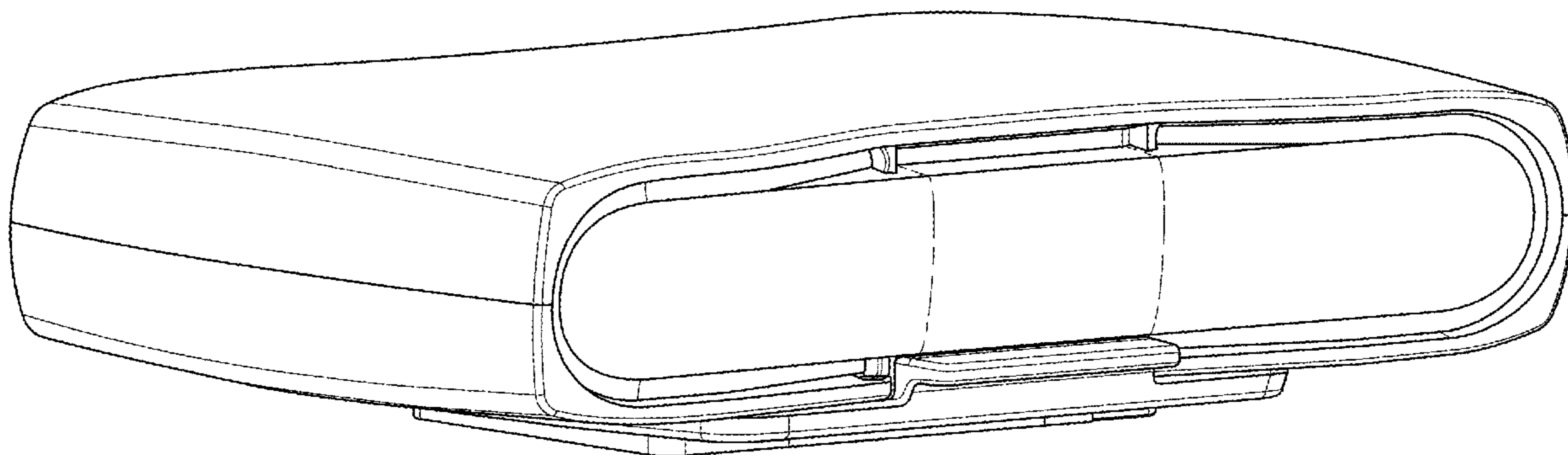
(57) **CLAIM**

The ornamental design for a telematics device, as shown and described.

DESCRIPTION

FIG. 1 is a front, left, top perspective view of a telematics device, showing my new design;
FIG. 2 is a front view thereof;
FIG. 3 is a right side view thereof;
FIG. 4 is a back view thereof, wherein the back view comprises a mini-USB socket cover and inset sockets for Molex Micro-Fit connectors (4-pin, 12-pin, and 10-pin, from left to right);
FIG. 5 is a left side view thereof;
FIG. 6 is a top view of thereof; and,
FIG. 7 is a bottom view thereof.
Broken lines are used in the drawings to depict portions of the telematics device that form no part of the claimed design.

1 Claim, 7 Drawing Sheets



(56)

References Cited

U.S. PATENT DOCUMENTS

D759,638 S * 6/2016 Cheng D14/242
D795,722 S * 8/2017 Drew D10/78
D833,896 S * 11/2018 Fischer D10/65
2017/0200331 A1 * 7/2017 Kumar G01S 19/13

OTHER PUBLICATIONS

TomTom Link 410 fixed installation vehicle tracking system, online,
no post date, URL: <https://www.vtecsolutions.co.uk/technology/link-410/>, retrieved Feb. 14, 2020.*

* cited by examiner

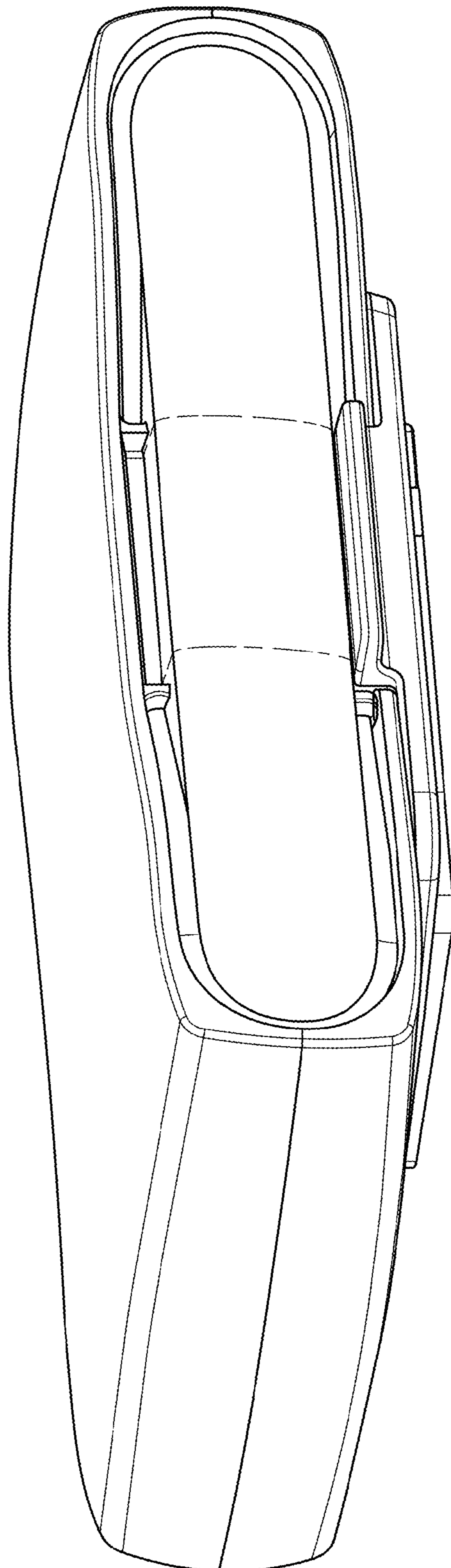


FIG. 1

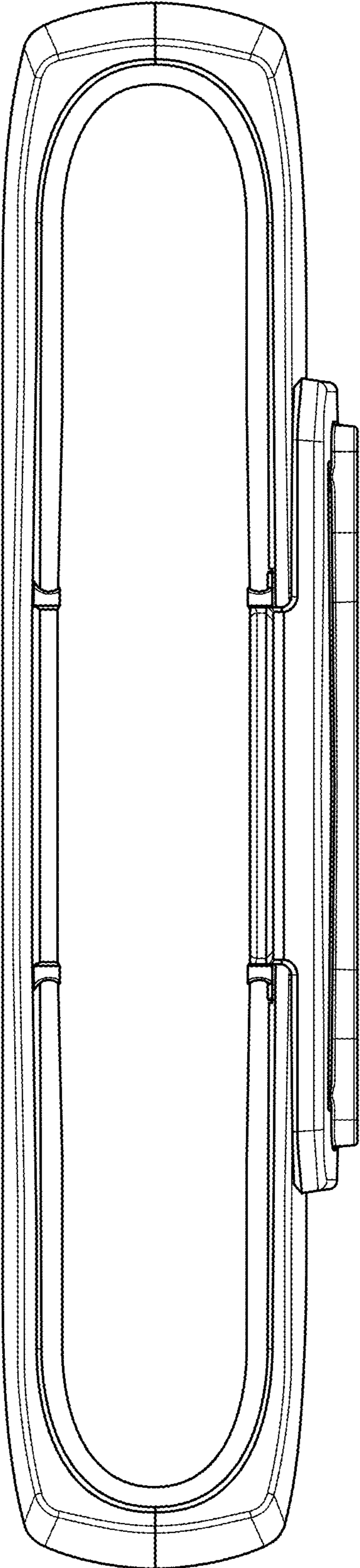


FIG. 2

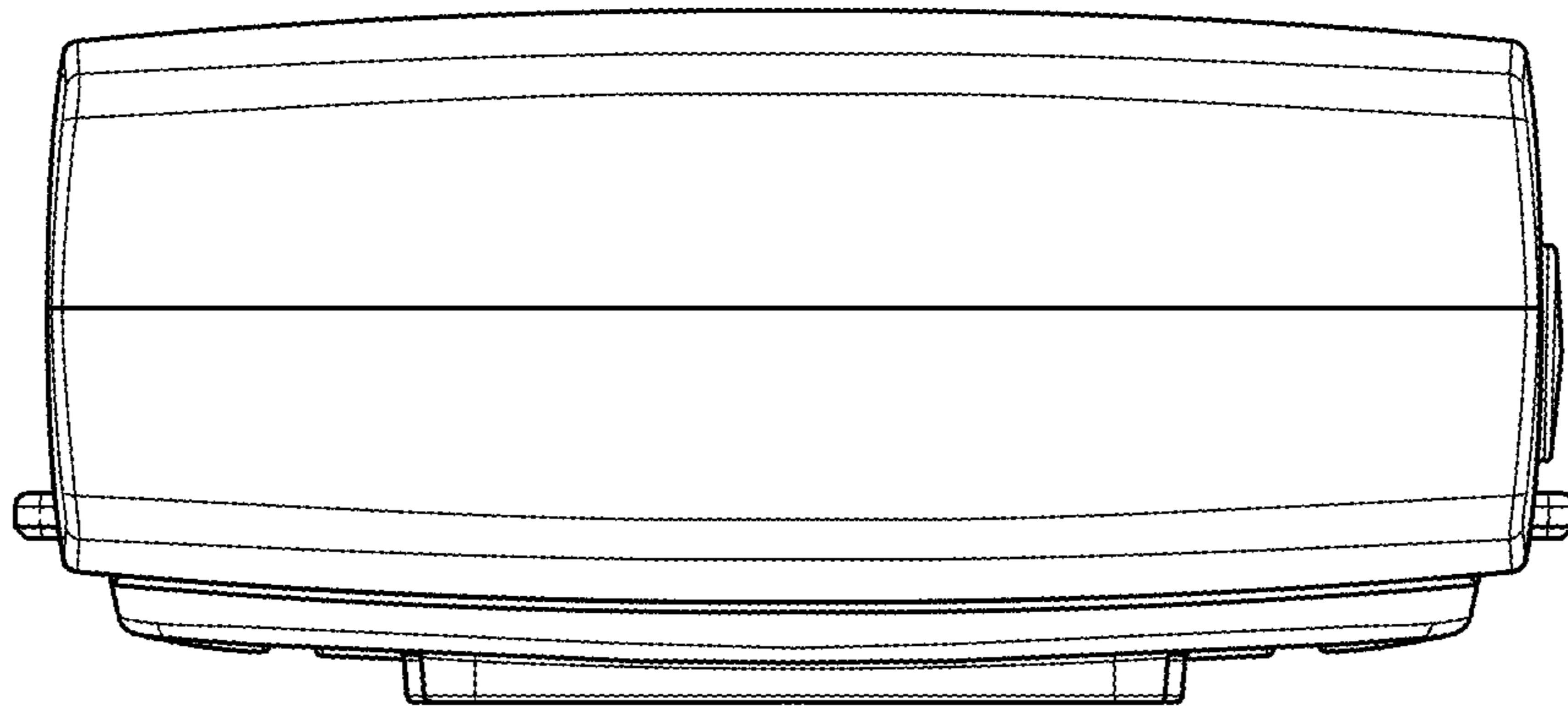


FIG. 3

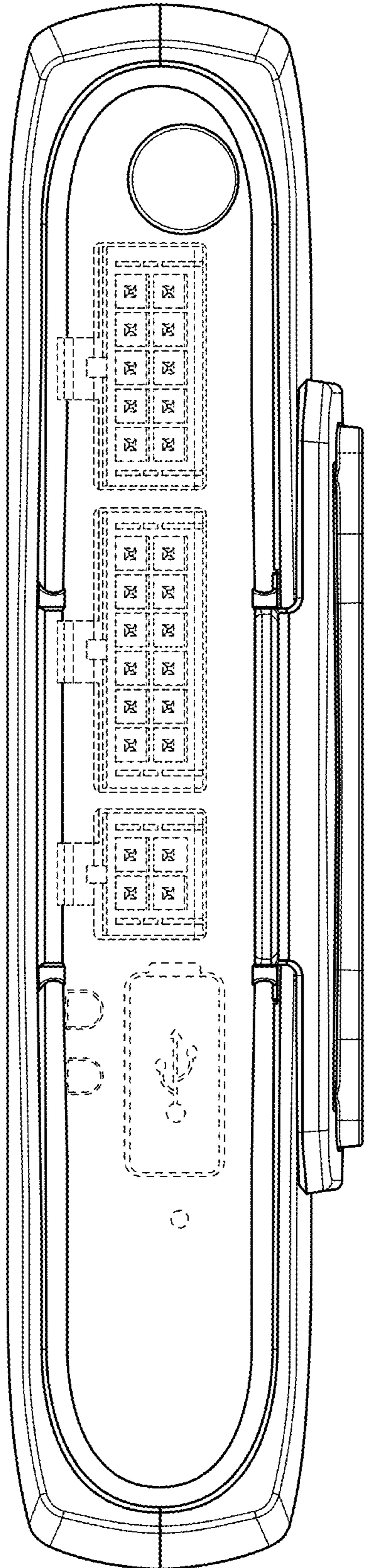


FIG. 4

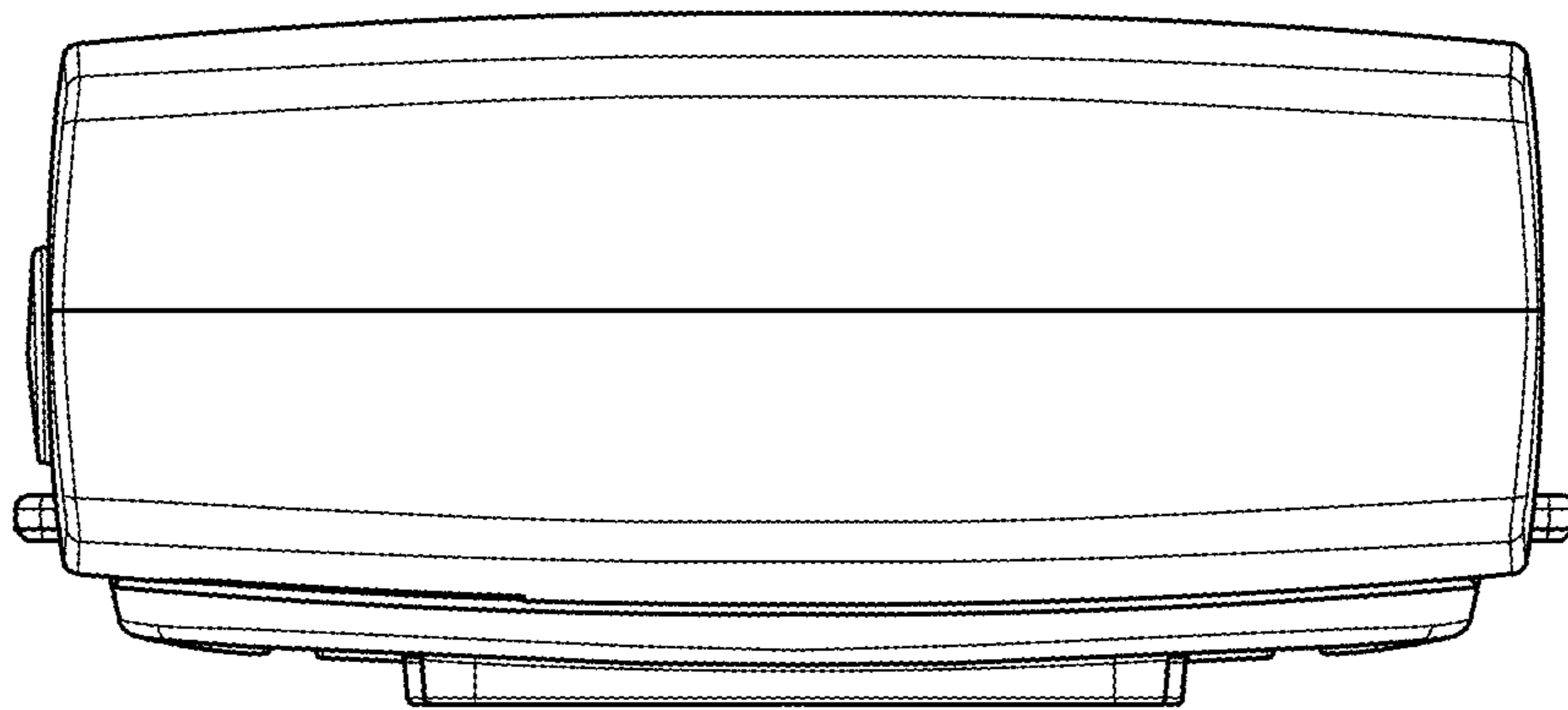


FIG. 5

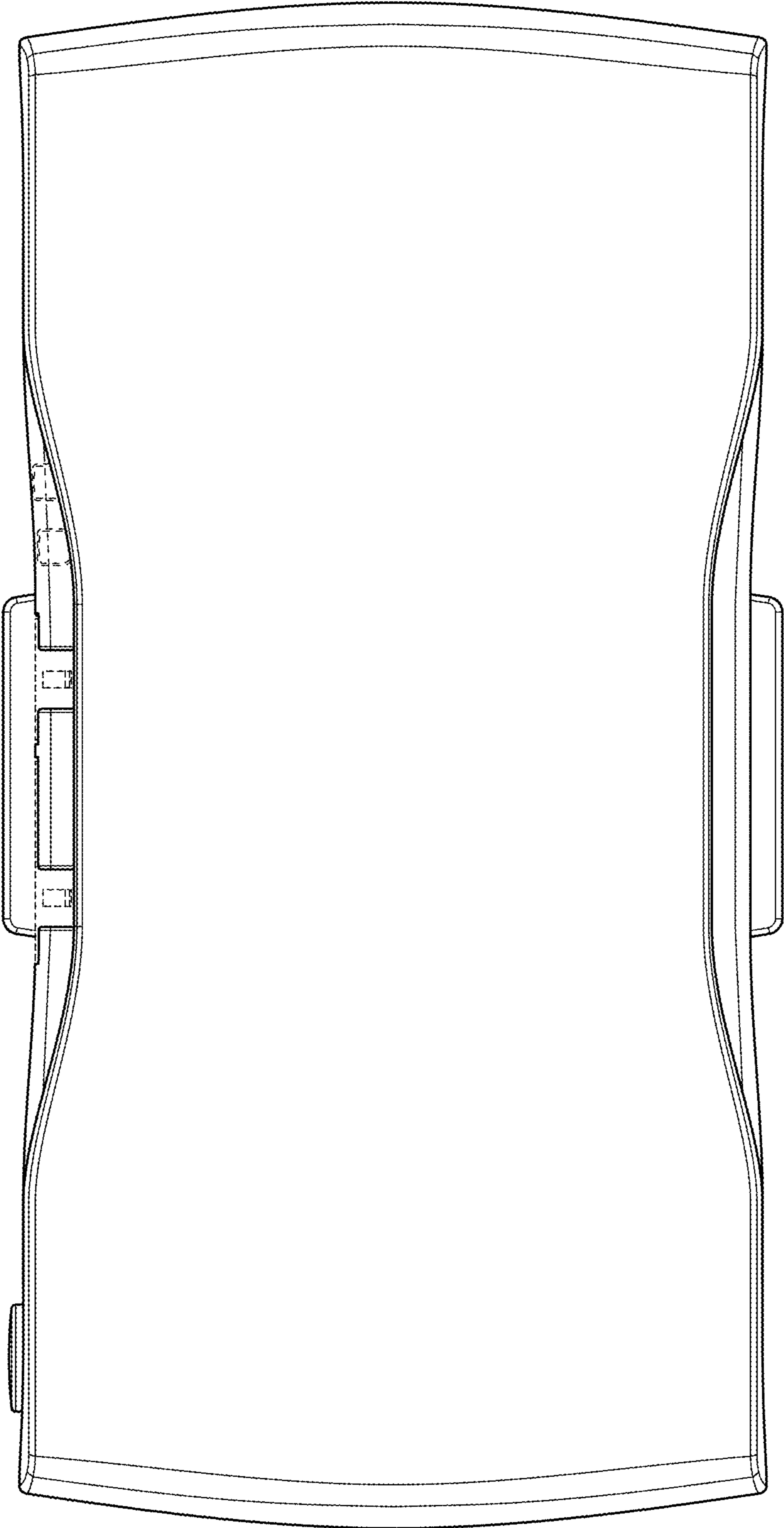


FIG. 6

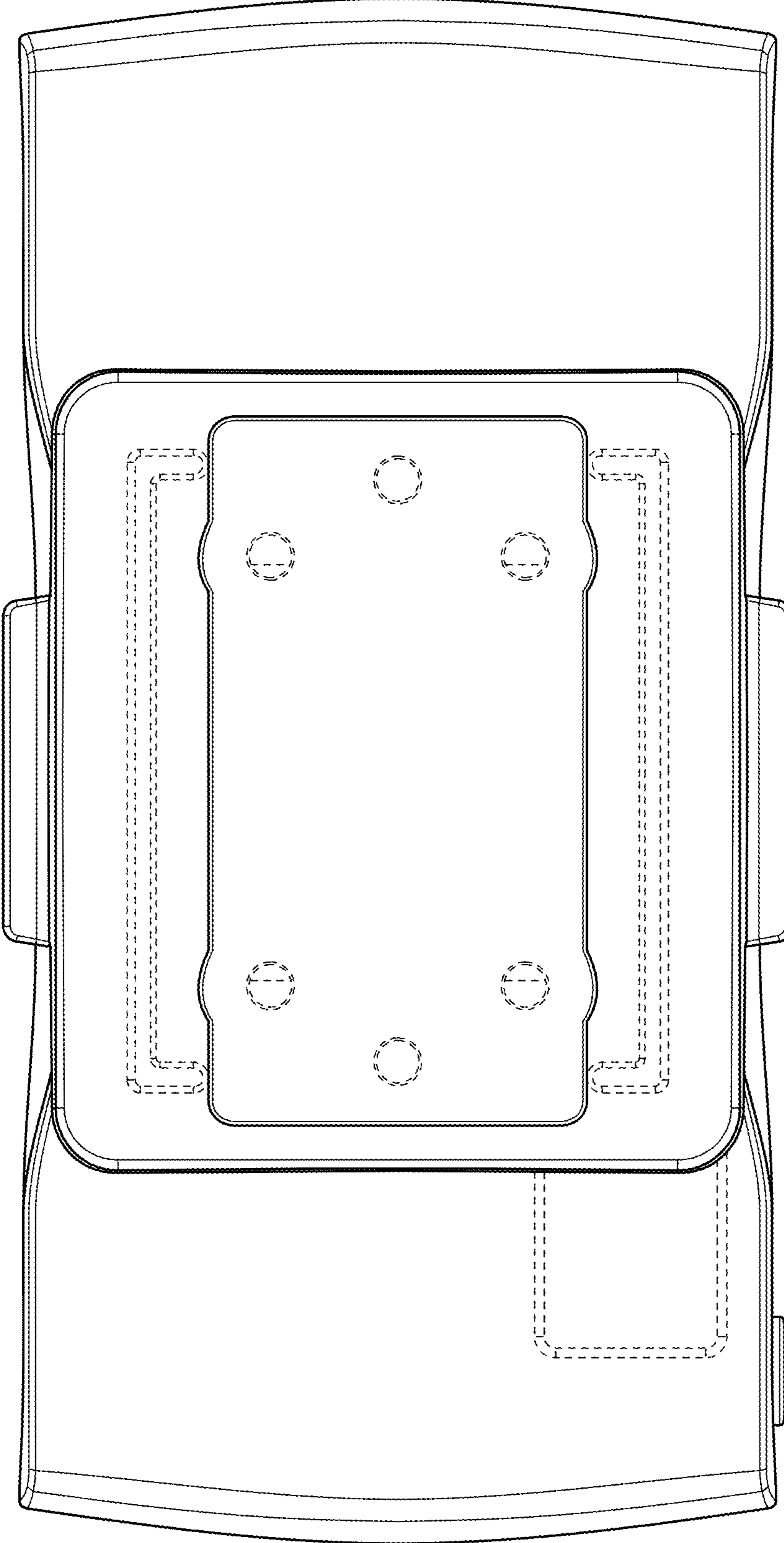


FIG. 7