



US00D900649S

(12) **United States Design Patent** (10) **Patent No.:** **US D900,649 S**  
**Fischer et al.** (45) **Date of Patent:** **\*\* Nov. 3, 2020**

(54) **TELEMATICS DEVICE**  
(71) Applicant: **Webfleet Solutions B.V.**, Amsterdam (NL)  
(72) Inventors: **Karsten Fischer**, Amsterdam (NL); **Tobias Fischer**, Amsterdam (NL)  
(73) Assignee: **WEBFLEET SOLUTIONS B.V.**, Amsterdam (NL)  
(\*\*) Term: **15 Years**  
(21) Appl. No.: **29/694,704**  
(22) Filed: **Jun. 12, 2019**

(30) **Foreign Application Priority Data**  
Dec. 14, 2018 (EM) ..... 005889326-0001  
(51) **LOC (12) Cl.** ..... **10-04**  
(52) **U.S. Cl.**  
USPC ..... **D10/49**  
(58) **Field of Classification Search**  
USPC ..... D10/49, 50; D13/158, 162  
CPC ..... H04L 12/40039; H04L 12/40032; H04L 12/12; H04L 2012/40215; H04L 63/1416; H04L 63/126; H04L 63/1466; H03K 3/012; H03K 17/687; H03K 17/164  
See application file for complete search history.

(56) **References Cited**  
U.S. PATENT DOCUMENTS  
D883,233 S \* 5/2020 Busl ..... D13/162  
\* cited by examiner

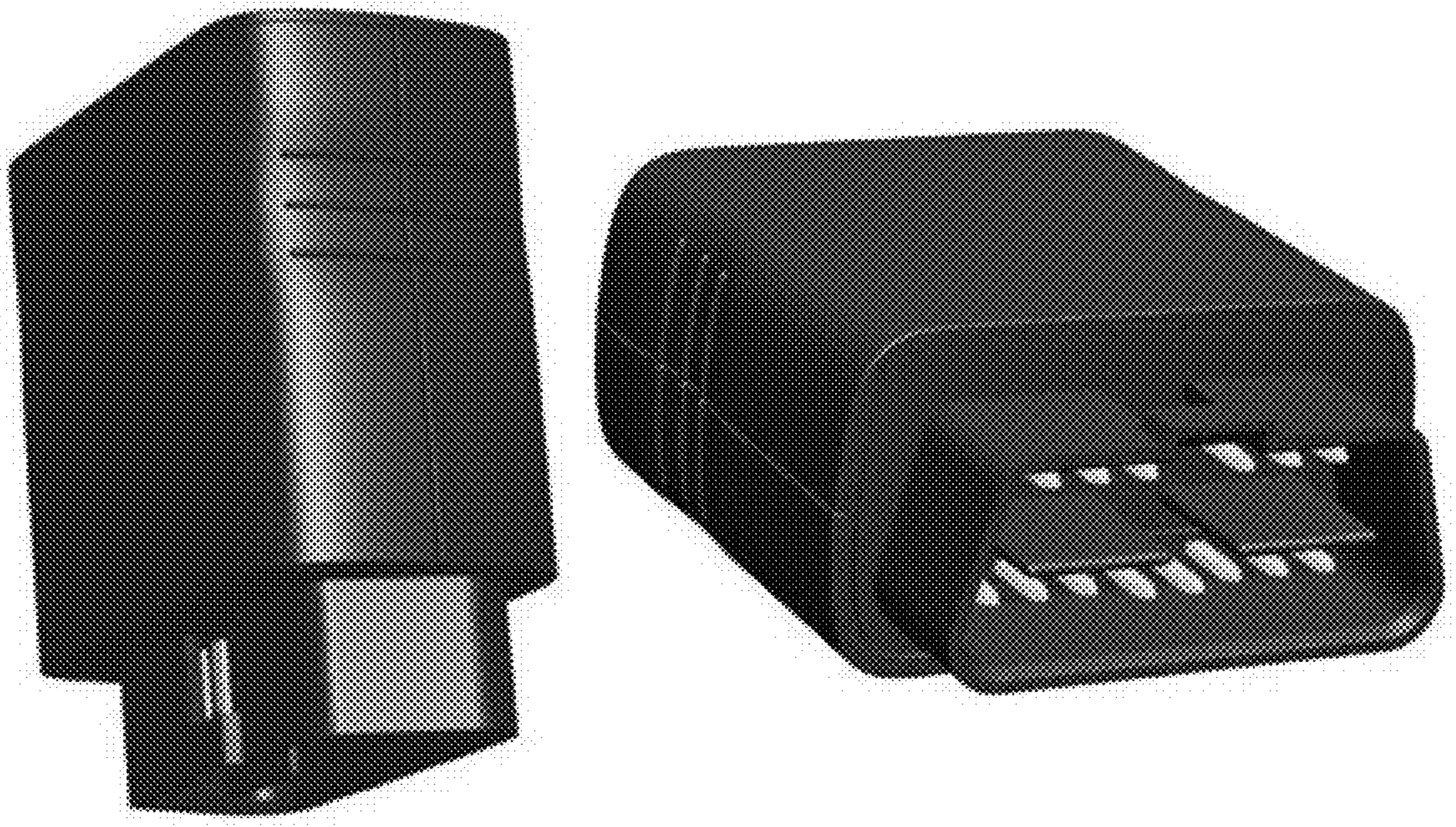
Primary Examiner — Antoine Duval Davis

(74) *Attorney, Agent, or Firm* — Knobbe, Martens, Olson & Bear, LLP

(57) **CLAIM**  
The ornamental design for a telematics device, as shown and described.

**DESCRIPTION**  
The file of this patent contains at least one drawing or photograph executed in color. Copies of this patent with color drawings/photographs will be provided by the Office upon request and payment of the necessary fee.  
FIG. 1 presents a perspective view showing front, left, and top sides of a telematics device.  
FIG. 2 presents a front view of the telematics device.  
FIG. 3 presents a back view of the telematics device.  
FIG. 4 presents a top view of the telematics device.  
FIG. 5 presents a bottom view of the telematics device, the bottom view comprising a view of a socket for an on-board diagnostic (OBD) port.  
FIG. 6 presents a right side view of the telematics device.  
FIG. 7 presents a left side view of the telematics device.  
FIG. 8 presents a series of views of the telematics device, the series of views comprising a view of a socket for an on-board diagnostic (OBD) port in the rightmost view in the series of views.  
FIG. 9 presents a perspective view showing front, right, and bottom sides of a telematics device.  
FIG. 10 presents a perspective view showing front, left, and bottom sides of a telematics device, the perspective view comprising a view of a socket for an on-board diagnostic (OBD) port; and,  
FIG. 11 presents a perspective view of front, right, and top sides of a telematics device.

**1 Claim, 4 Drawing Sheets**  
**(2 of 4 Drawing Sheet(s) Filed in Color)**



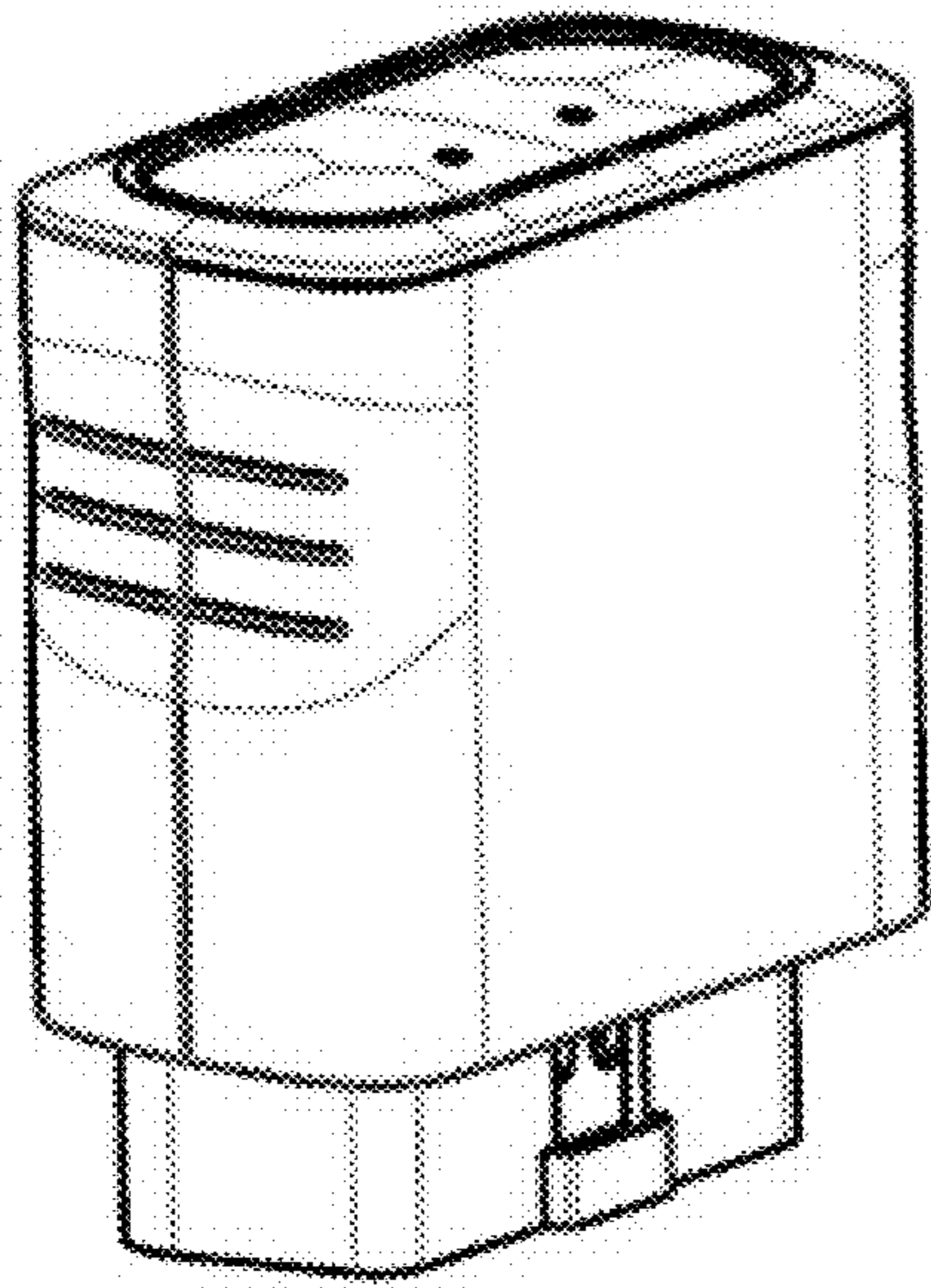


FIG. 1

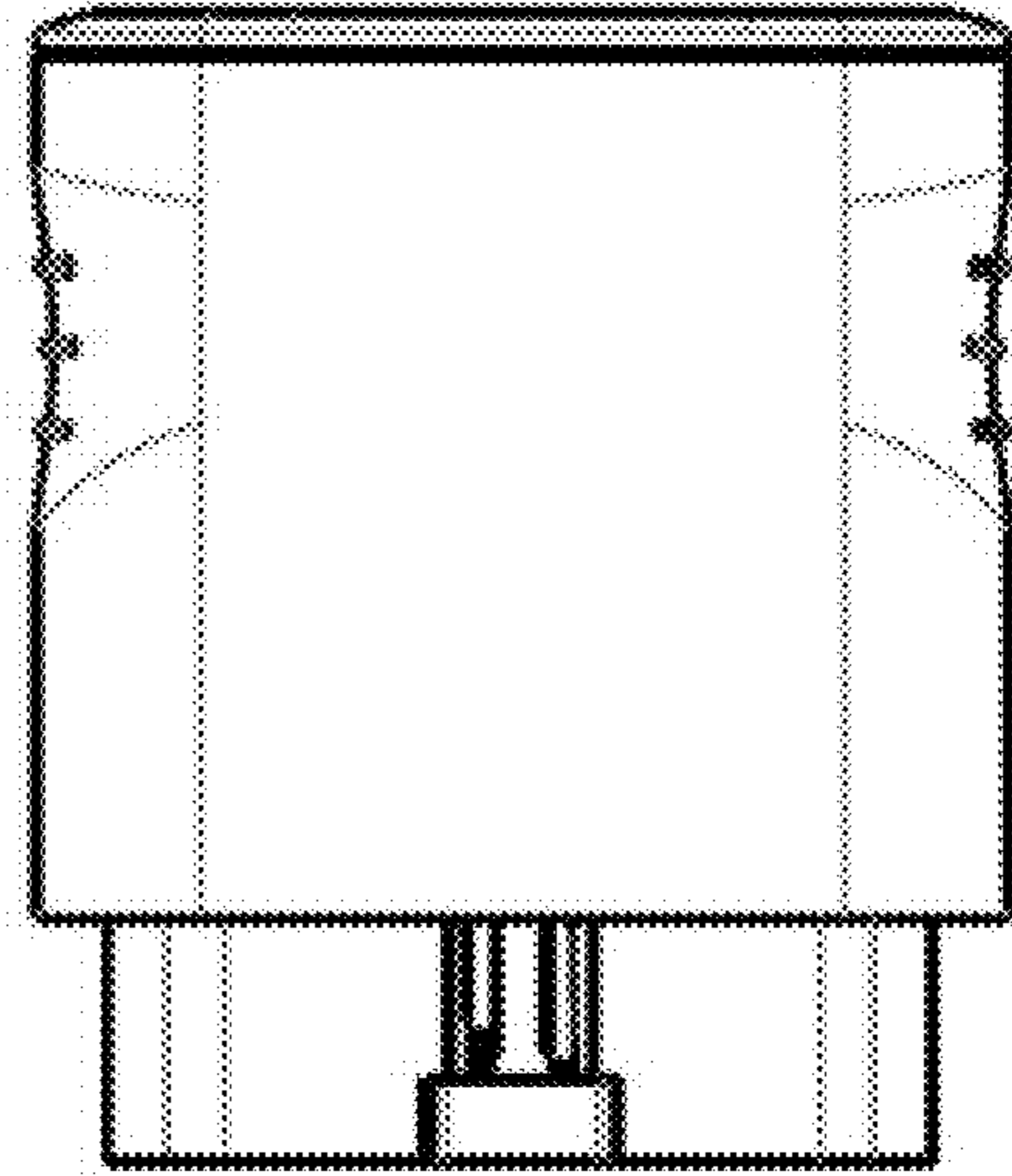


FIG. 2

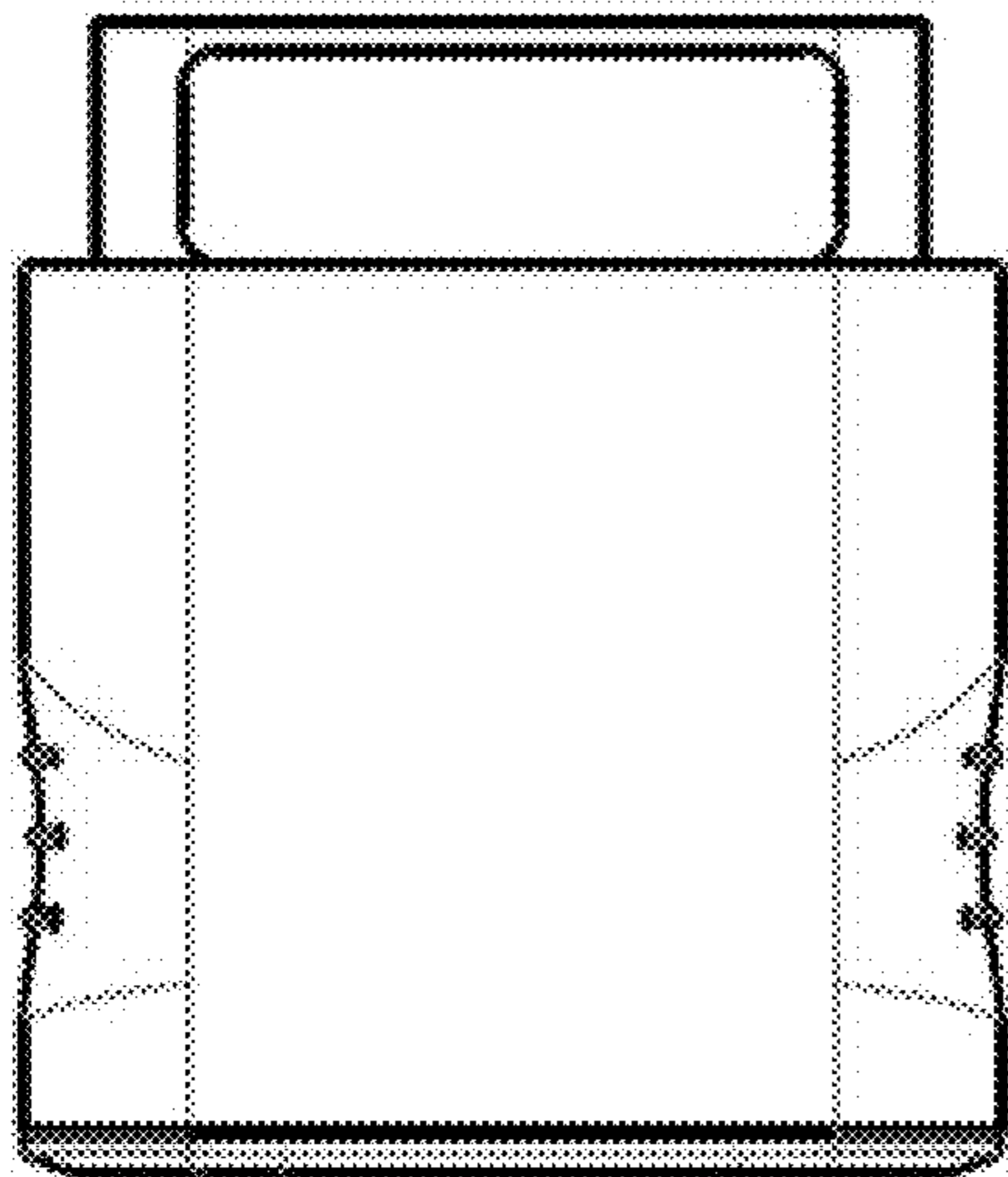


FIG. 3

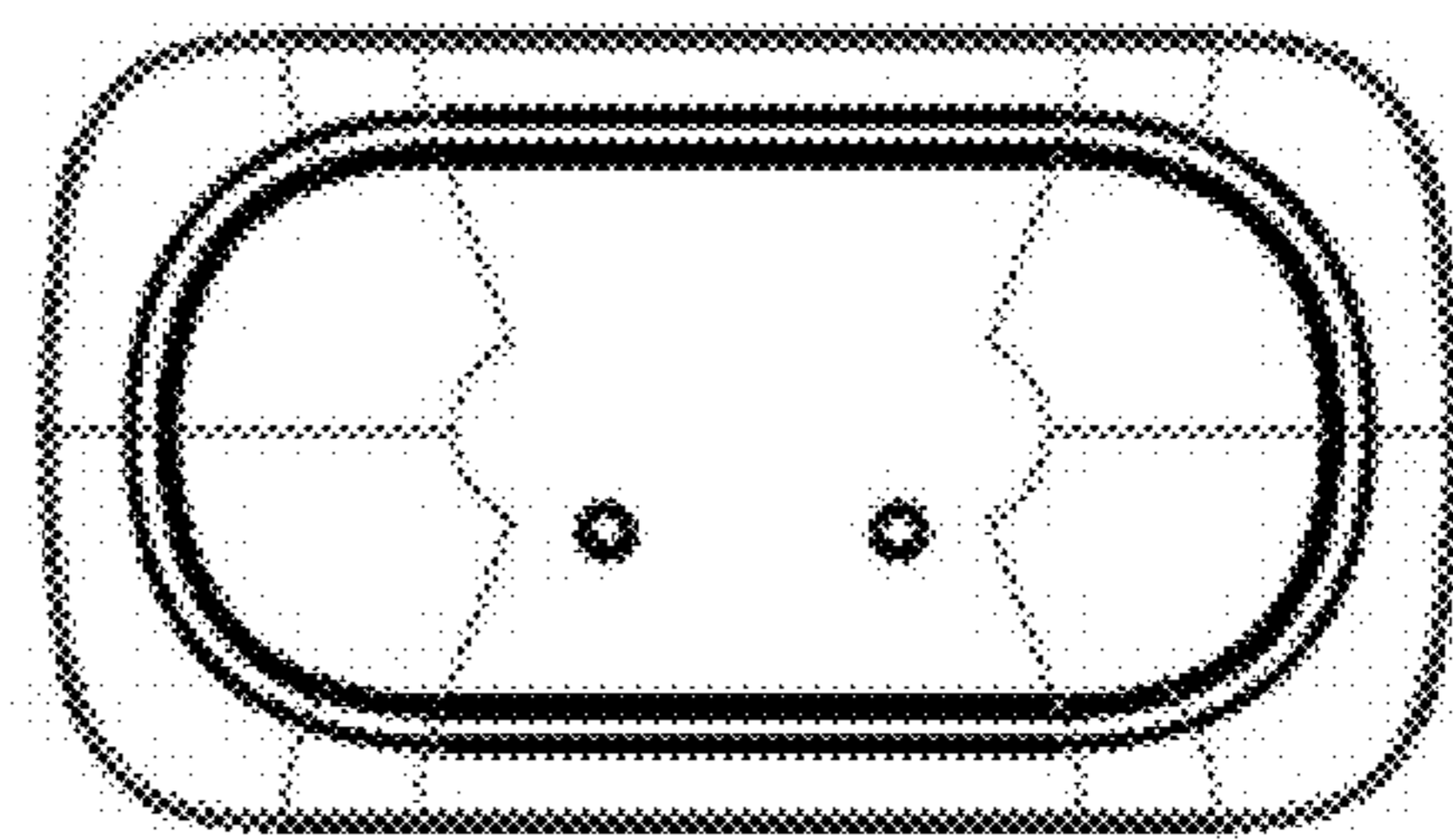


FIG. 4

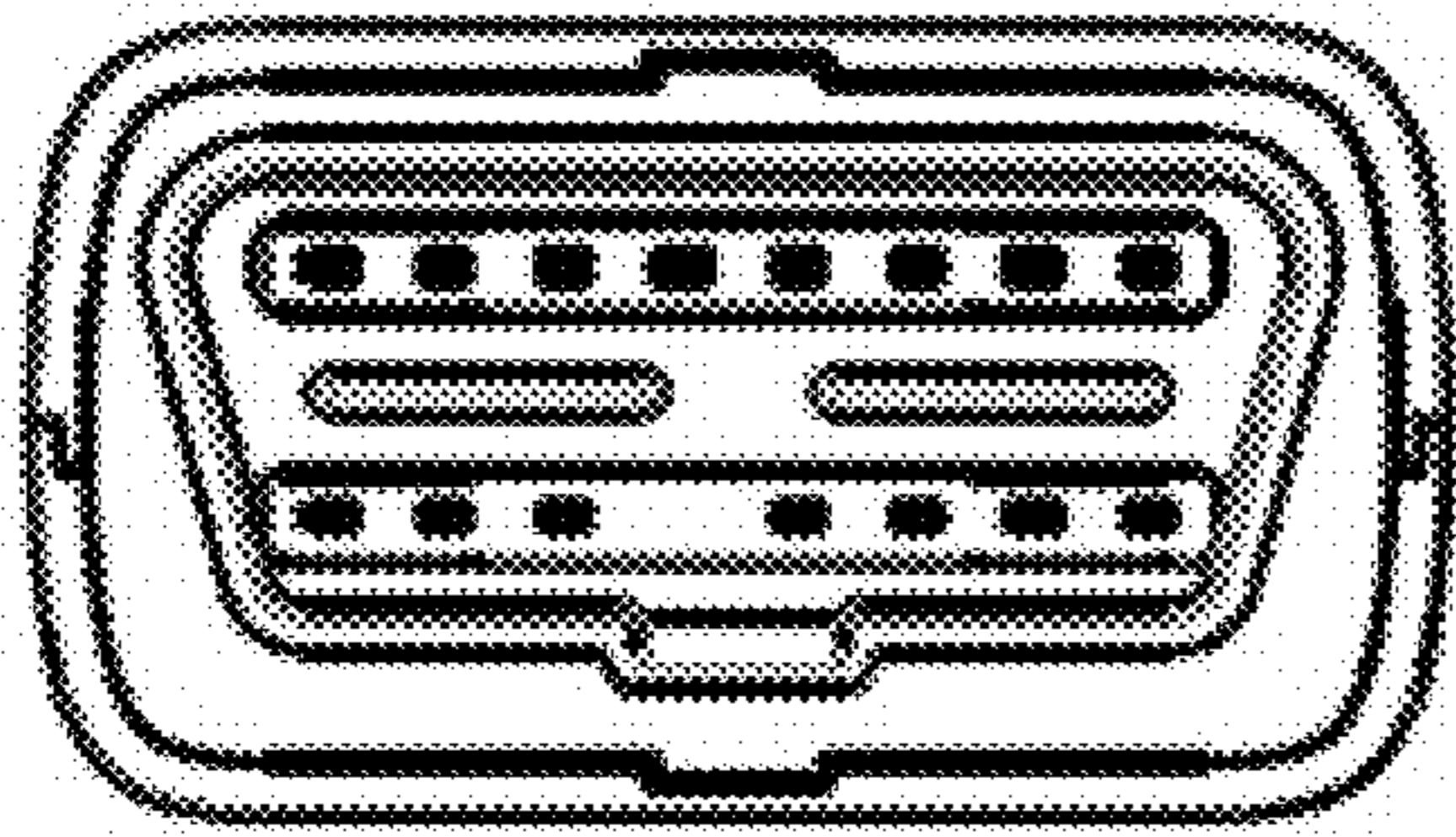


FIG. 5

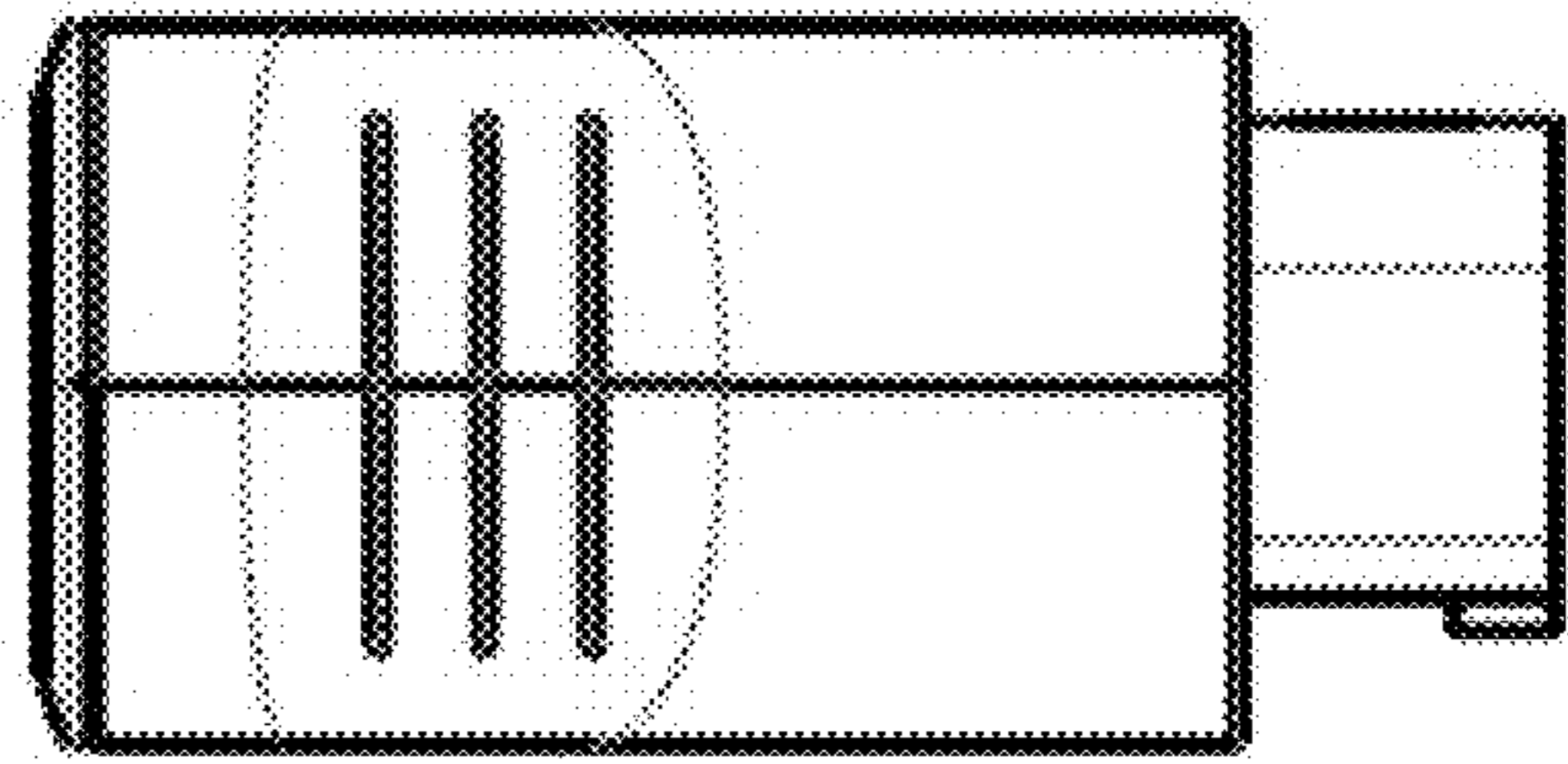


FIG. 6

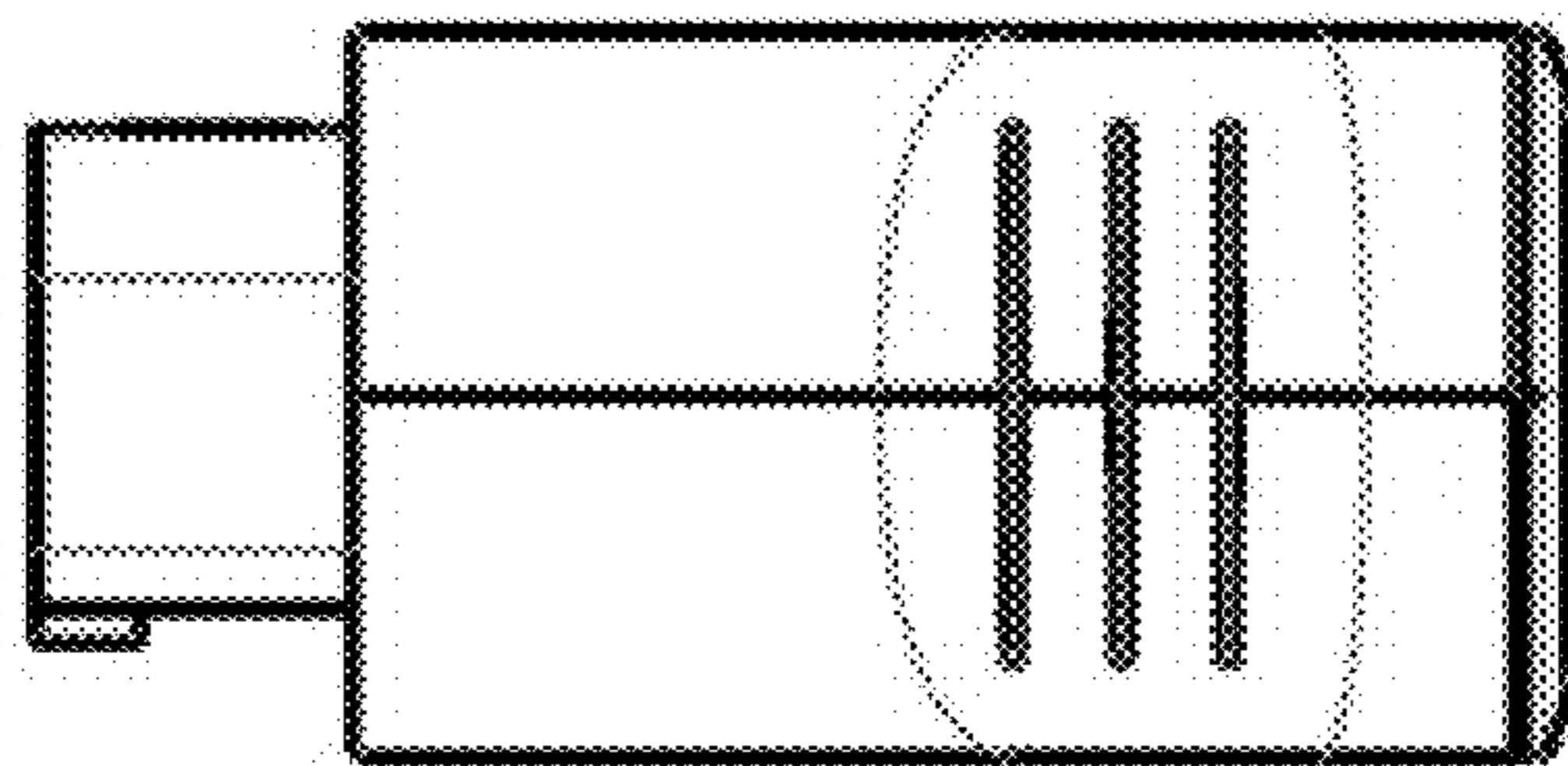


FIG. 7

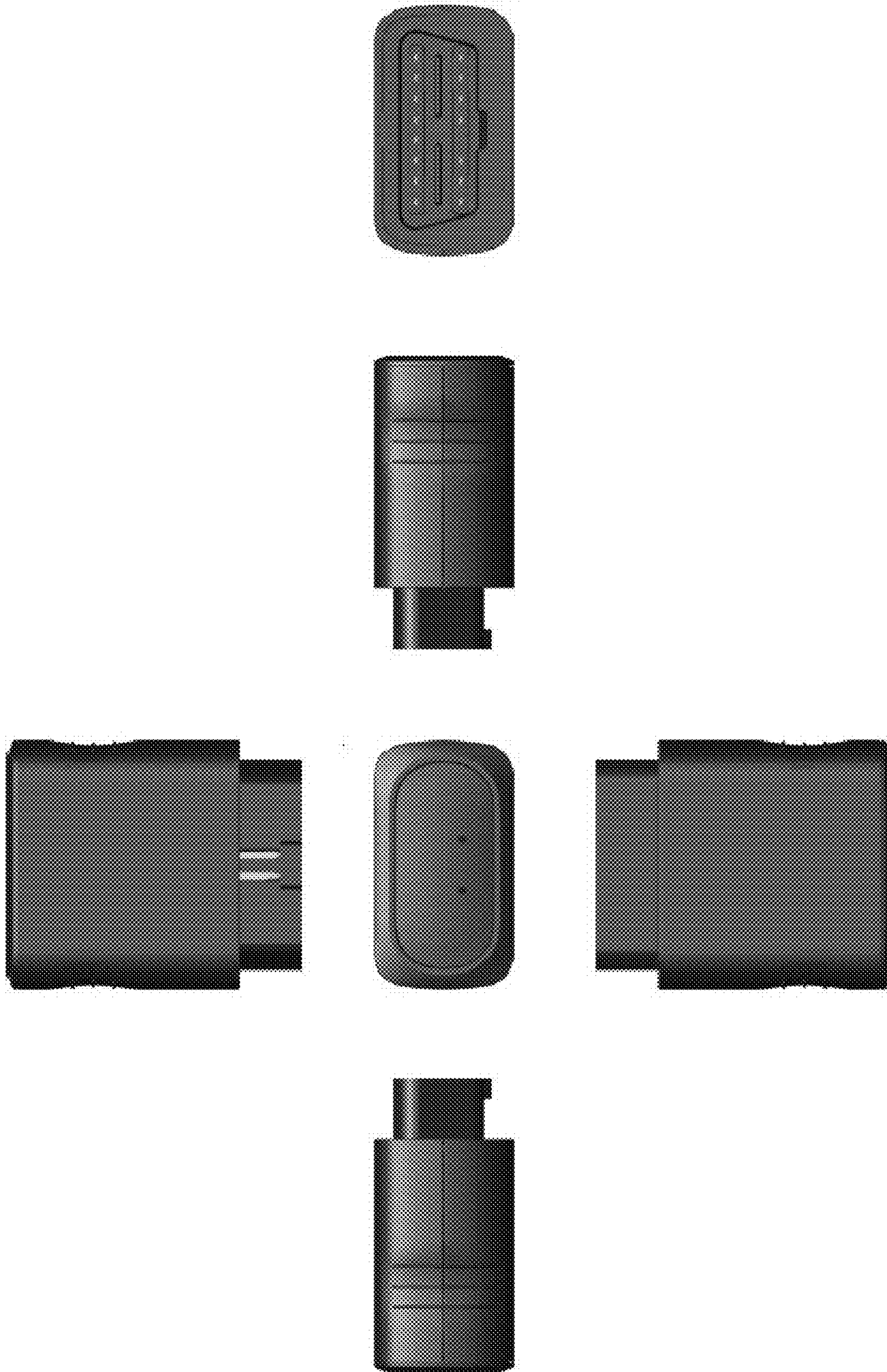


FIG. 8

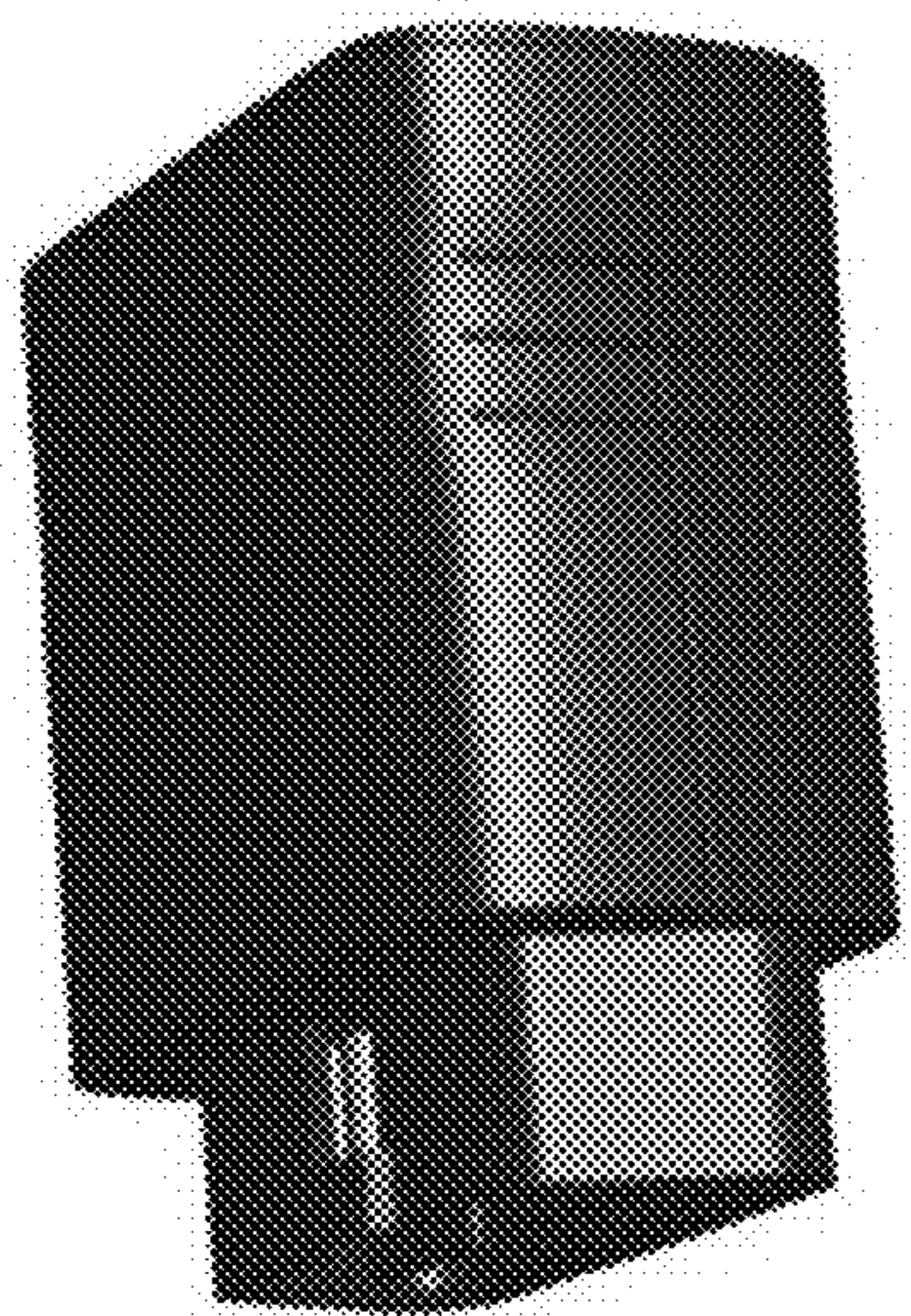


FIG. 9

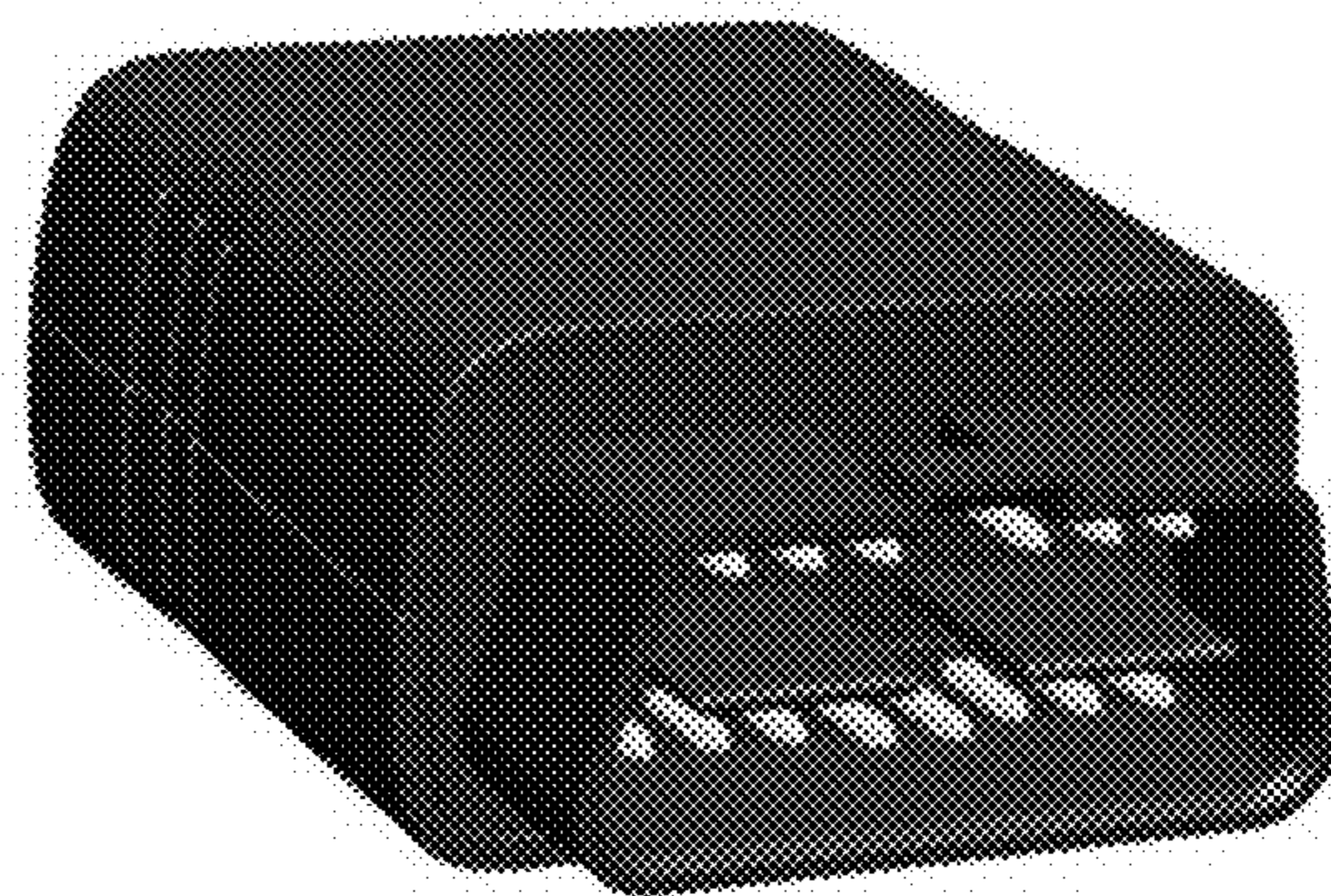


FIG. 10



FIG. 11