



US00D900648S

(12) **United States Design Patent**
King, III

(10) **Patent No.: US D900,648 S**

(45) **Date of Patent: ** Nov. 3, 2020**

- (54) **SUNDIAL ASSEMBLY**
- (71) Applicant: **Clinton S. King, III**, Manhattan, MT (US)
- (72) Inventor: **Clinton S. King, III**, Manhattan, MT (US)
- (73) Assignee: **Clinton S. King**, Manhattan, MT (US)
- (**) Term: **15 Years**
- (21) Appl. No.: **29/679,389**
- (22) Filed: **Feb. 5, 2019**
- (51) **LOC (12) Cl.** **10-03**
- (52) **U.S. Cl.**
USPC **D10/45**
- (58) **Field of Classification Search**
USPC D10/1-3, 10, 40-42, 45, 46, 49
CPC G04B 49/00; G04B 49/02; G04B 49/04;
G01C 17/34; G01C 21/02
See application file for complete search history.

- 4,645,354 A * 2/1987 Mercer G04B 49/02
33/270
- 4,845,853 A * 7/1989 Haskett G04B 49/02
33/270
- 5,062,212 A * 11/1991 Blaker G04B 49/02
33/270
- D413,821 S * 9/1999 Zurfluh D10/45
- 6,523,270 B1 * 2/2003 Cheung G04B 49/02
33/1 DD
- 6,604,290 B1 * 8/2003 Hughes, Jr. G04B 49/02
33/270
- D581,294 S * 11/2008 Farricielli D10/45
- 8,205,346 B1 * 6/2012 Cheng G01C 17/34
33/268
- 2005/0060900 A1 * 3/2005 Maegli G04B 49/04
33/270

* cited by examiner

Primary Examiner — Sandra Snapp
Assistant Examiner — Katherine Glennon
(74) *Attorney, Agent, or Firm* — Dorsey & Whitney LLP

(57) **CLAIM**

I claim the ornamental design for a sundial assembly, as shown and described.

DESCRIPTION

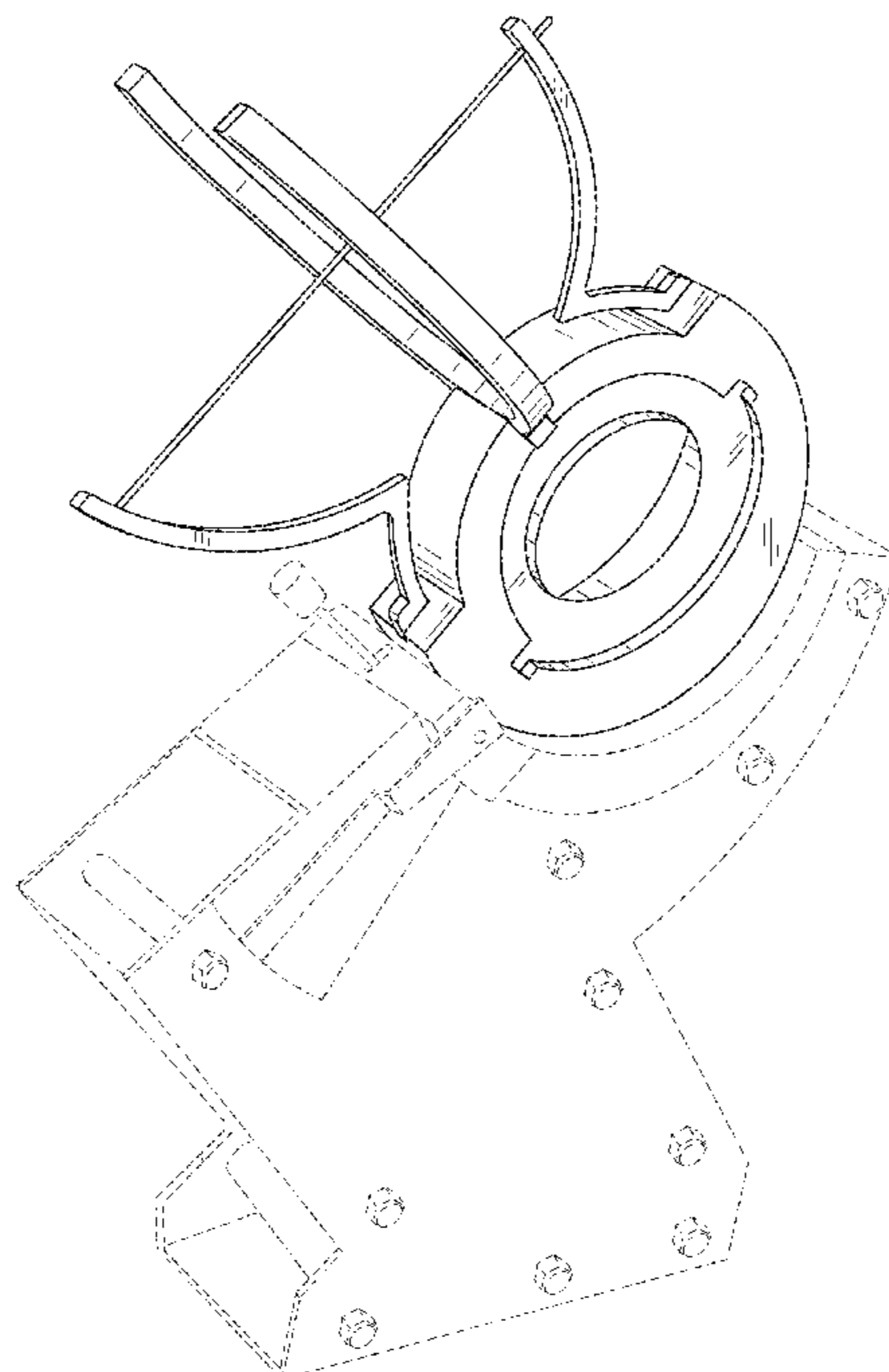
FIG. 1 is an isometric view of a sundial assembly.
FIG. 2 is a front elevation view thereof, shown without environmental structure for ease of illustration.
FIG. 3 is a rear elevation view thereof.
FIG. 4 is a left side elevation view thereof.
FIG. 5 is a right side elevation view thereof.
FIG. 6 is a top plan view thereof; and,
FIG. 7 is a bottom plan view thereof.
The broken lines illustrate portions of the sundial assembly that form no part of the claimed design.

1 Claim, 7 Drawing Sheets

(56) **References Cited**

U.S. PATENT DOCUMENTS

- 1,817,350 A * 8/1931 Clay G04B 49/02
33/269
- 2,192,750 A * 3/1940 Mead G04B 49/02
33/270
- 2,754,593 A * 7/1956 Sundblad G04B 49/02
33/270
- 3,786,570 A * 1/1974 Davies G04B 49/02
33/270
- 4,102,054 A * 7/1978 Lewis G04B 49/02
33/1 SC
- D257,006 S * 9/1980 Santleben D10/45



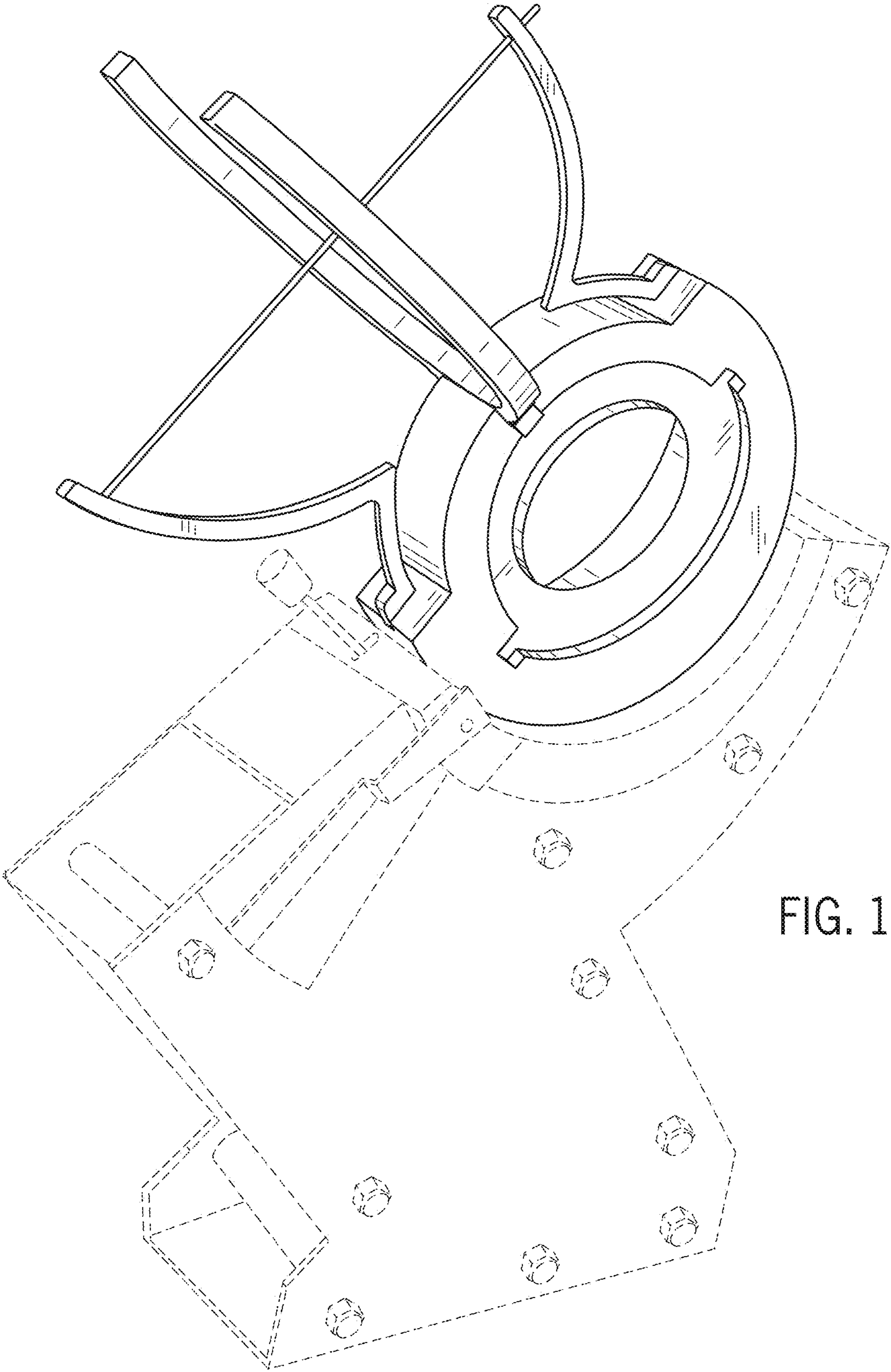


FIG. 1

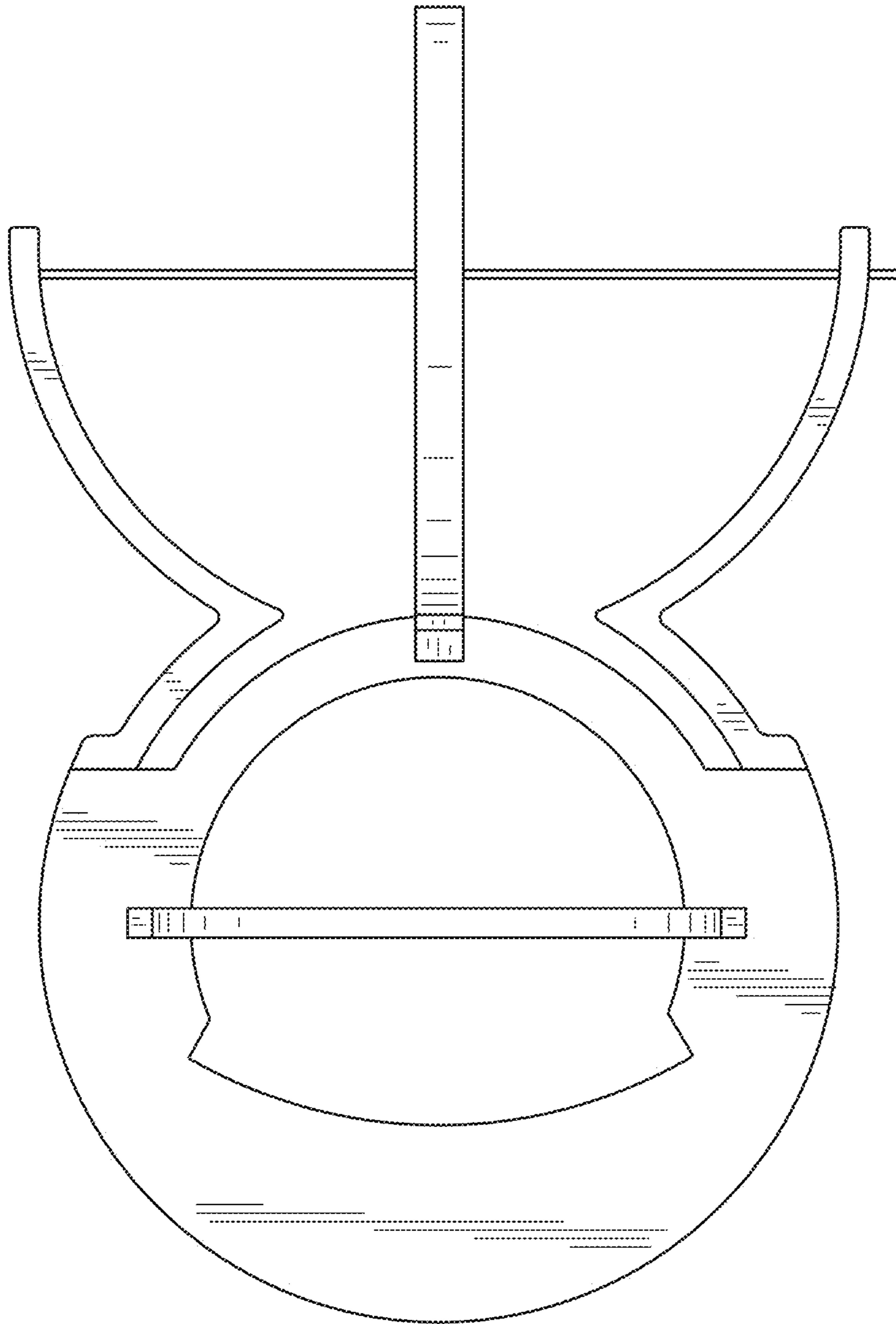


FIG. 2

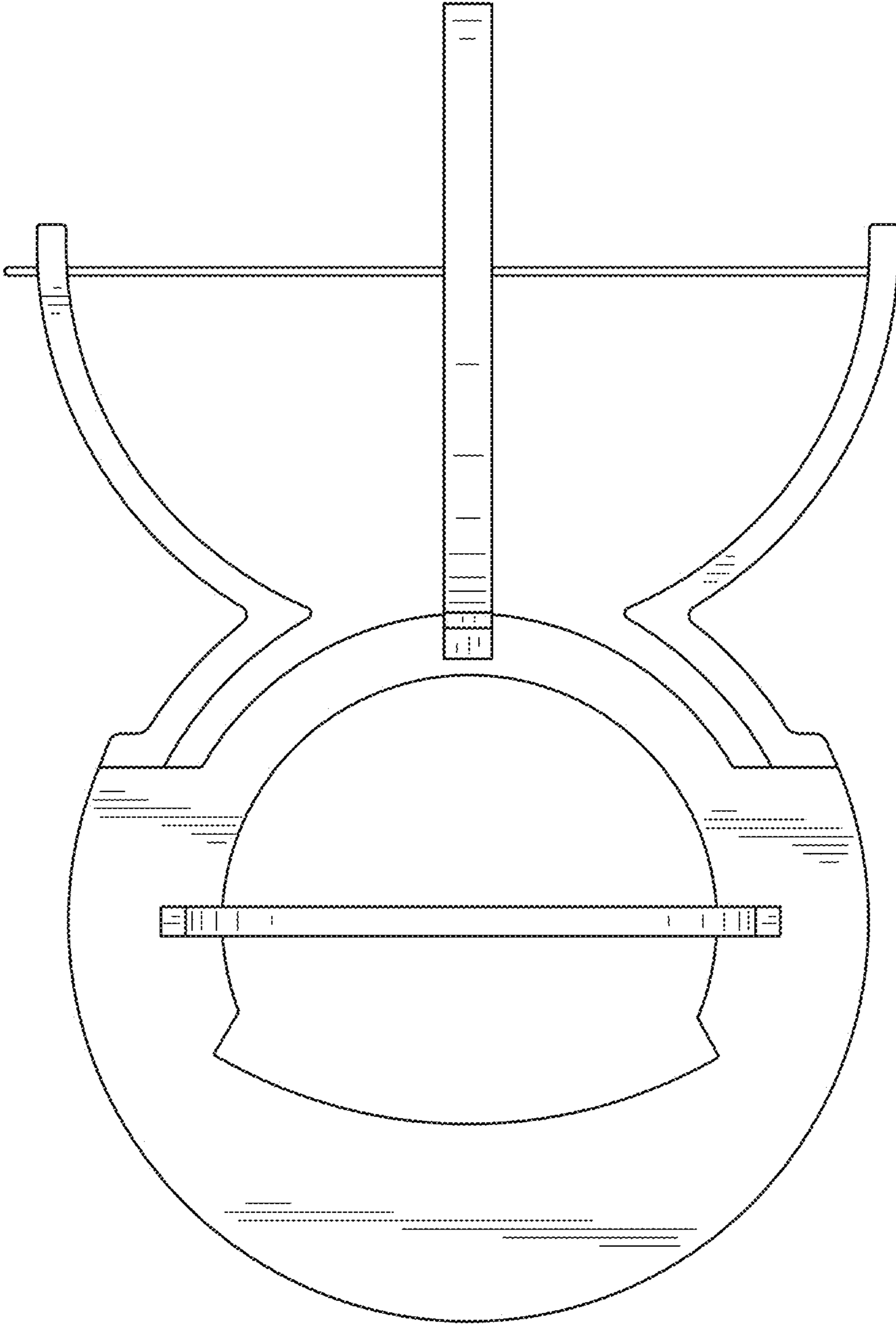


FIG. 3

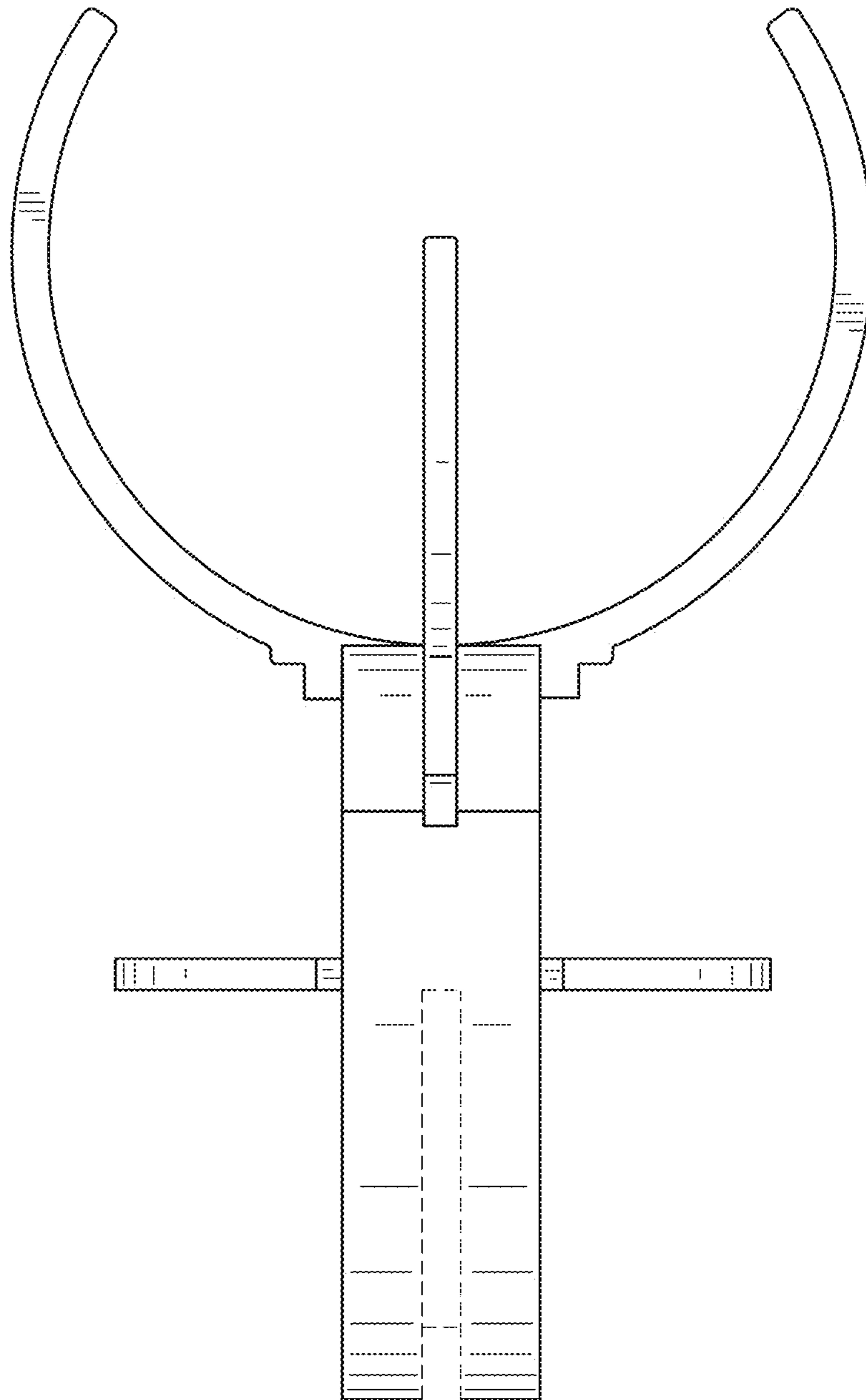


FIG. 4

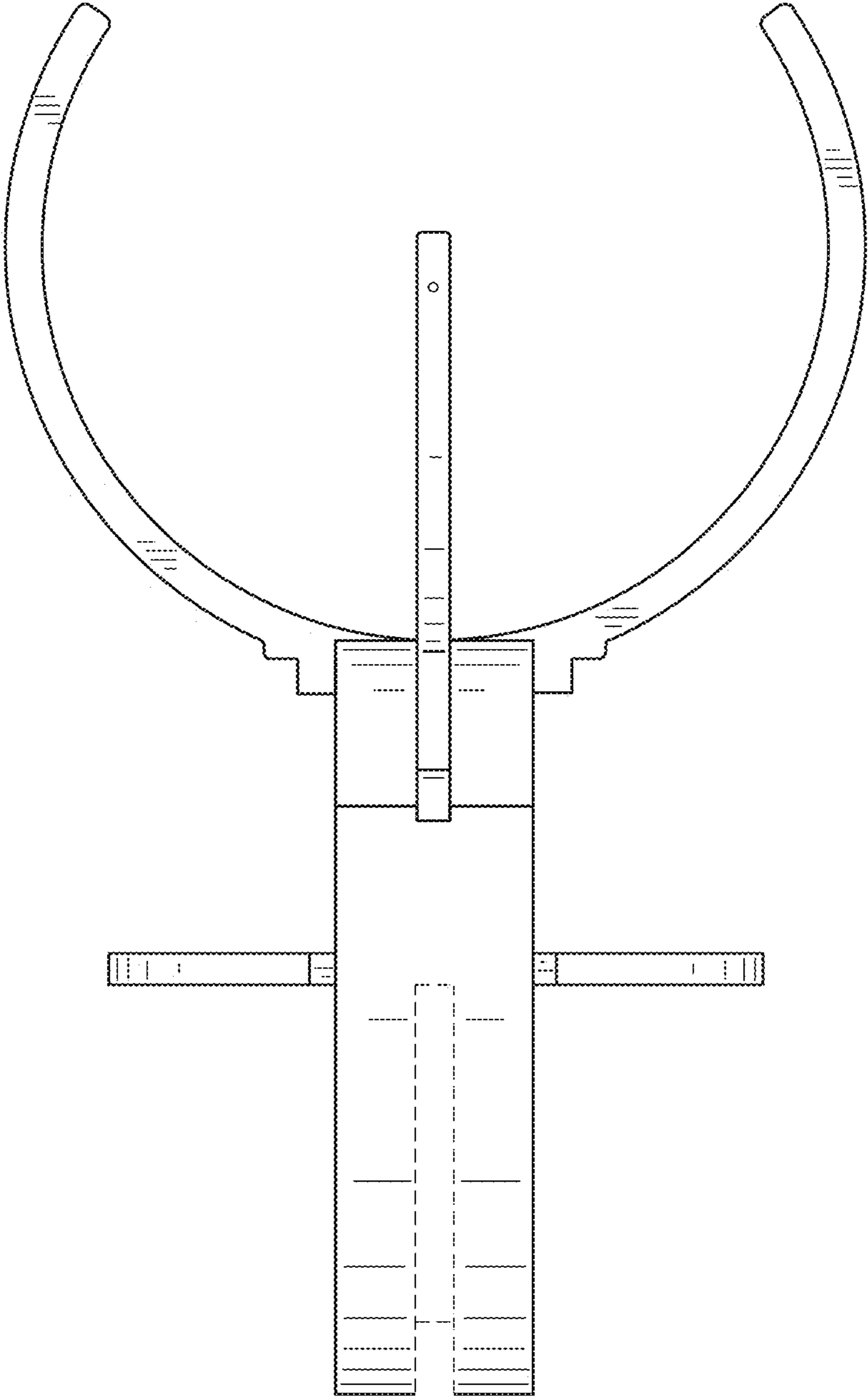


FIG. 5

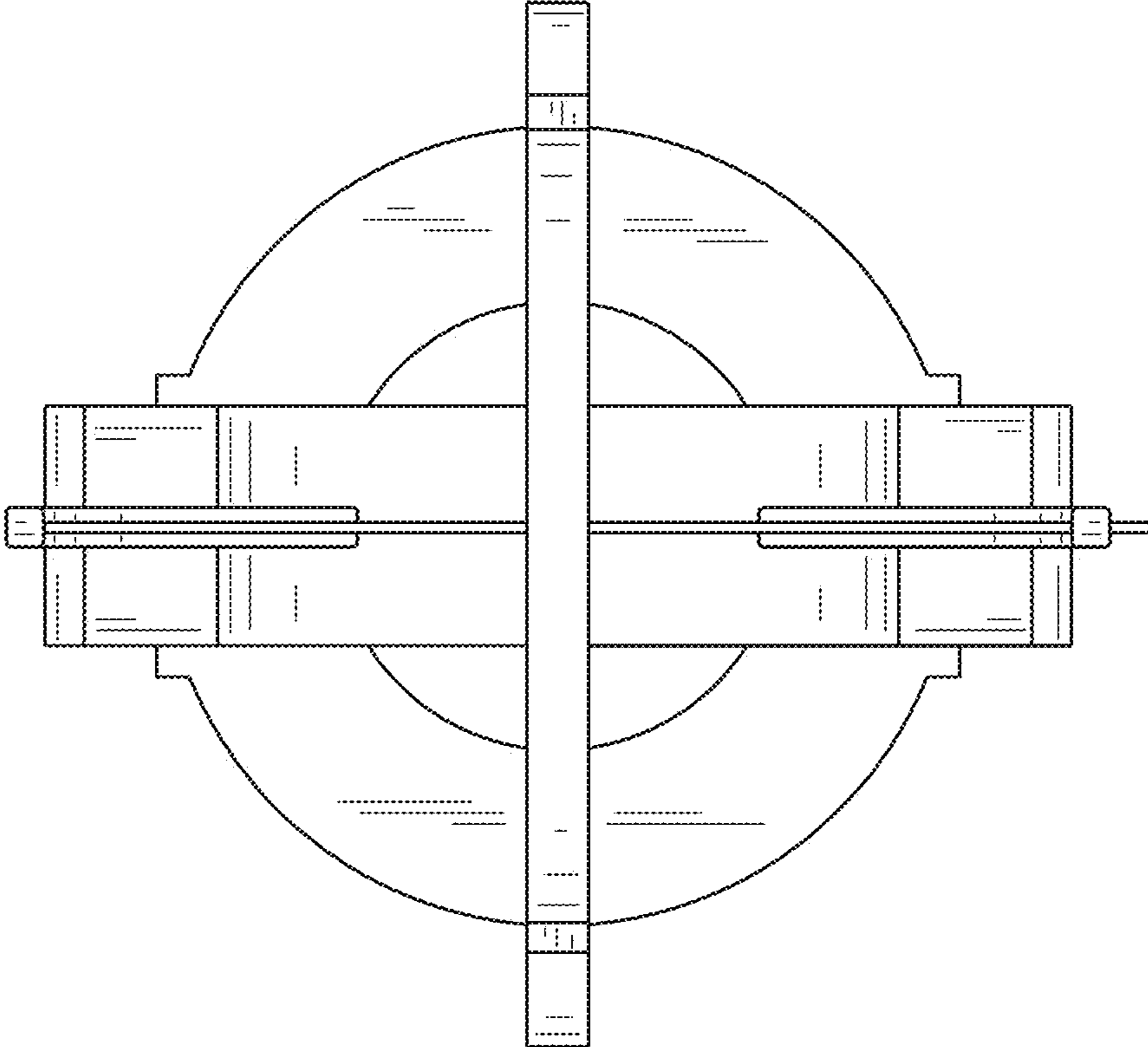


FIG. 6

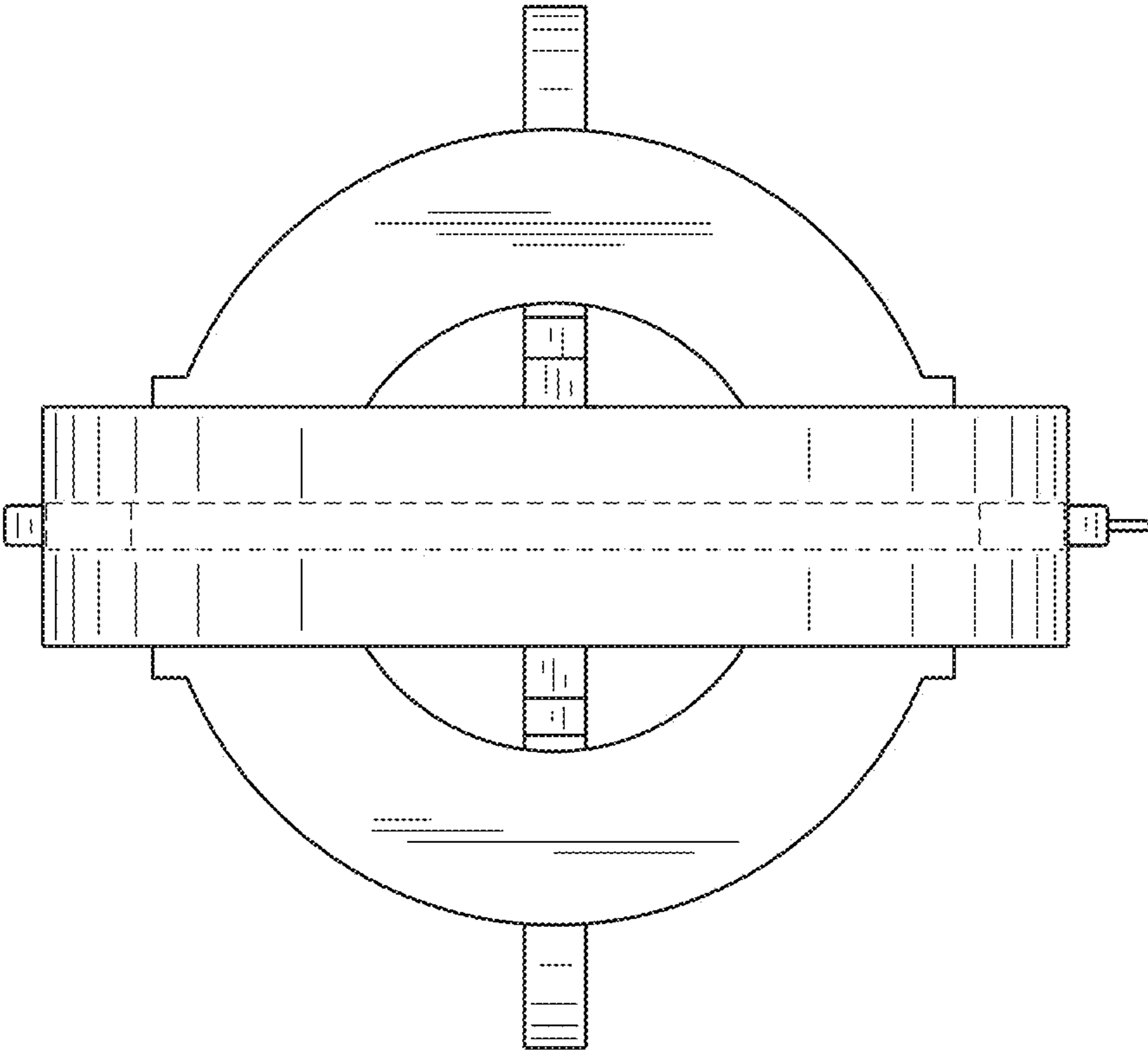


FIG. 7