



US00D900643S

(12) **United States Design Patent** (10) **Patent No.:** **US D900,643 S**  
**Barberis et al.** (45) **Date of Patent:** **\*\* Nov. 3, 2020**

- (54) **WATCH WITH DISPLAY**
- (71) Applicant: **Garmin Switzerland GmbH**,  
Schaffhausen (CH)
- (72) Inventors: **Brent E. Barberis**, Overland Park, KS  
(US); **Todd P. Register**, Olathe, KS  
(US); **Henry D. Wulfekoetter**, Kansas  
City, MO (US)
- (73) Assignee: **Garmin Switzerland GmbH** (CH)
- (\*\*) Term: **15 Years**
- (21) Appl. No.: **29/681,526**
- (22) Filed: **Feb. 26, 2019**
- (51) **LOC (12) Cl.** ..... **10-02**
- (52) **U.S. Cl.**  
USPC ..... **D10/38; D14/344**
- (58) **Field of Classification Search**  
USPC ..... D10/30-41, 65, 70, 97-98, 104.2, 116.1,  
D10/122, 128, 132; D14/344, 440;  
D24/167, 186  
CPC ..... G04B 19/18; G04B 19/22; G04B 19/23;  
G04B 19/228; G04B 37/00; G04B  
39/002; G04B 39/006; G04B 39/02;  
G04C 19/04; G04F 7/08; G04F 7/0842;  
G04F 7/0861; G04F 7/0871; G04F  
7/0876; G04G 17/02; G04G 17/045;  
G04G 17/08; G04G 21/08; G04G 9/00  
See application file for complete search history.

- 5,226,023 A 7/1993 Grimm
- D367,616 S 3/1996 Dobashi et al.
- D416,498 S 11/1999 Blondin
- D417,158 S 11/1999 Krauss
- D459,241 S 6/2002 Bodino
- D471,115 S 3/2003 Buechner
- (Continued)

**OTHER PUBLICATIONS**

Golf Monthly, ETIQUUS golf watch collection unveiled, posted Sep. 16, 2014, [online], [site visited Sep. 11, 2018]. Available from internet, <URL: <https://www.golf-monthly.co.uk/gear/gear-news/etiquus-golf-watch-collection-un-57598>> (Year: 2014).

(Continued)

*Primary Examiner* — Eric L Goodman  
*Assistant Examiner* — Katherine Glennon  
(74) *Attorney, Agent, or Firm* — Samuel M. Korte; Max M. Ali

(57) **CLAIM**

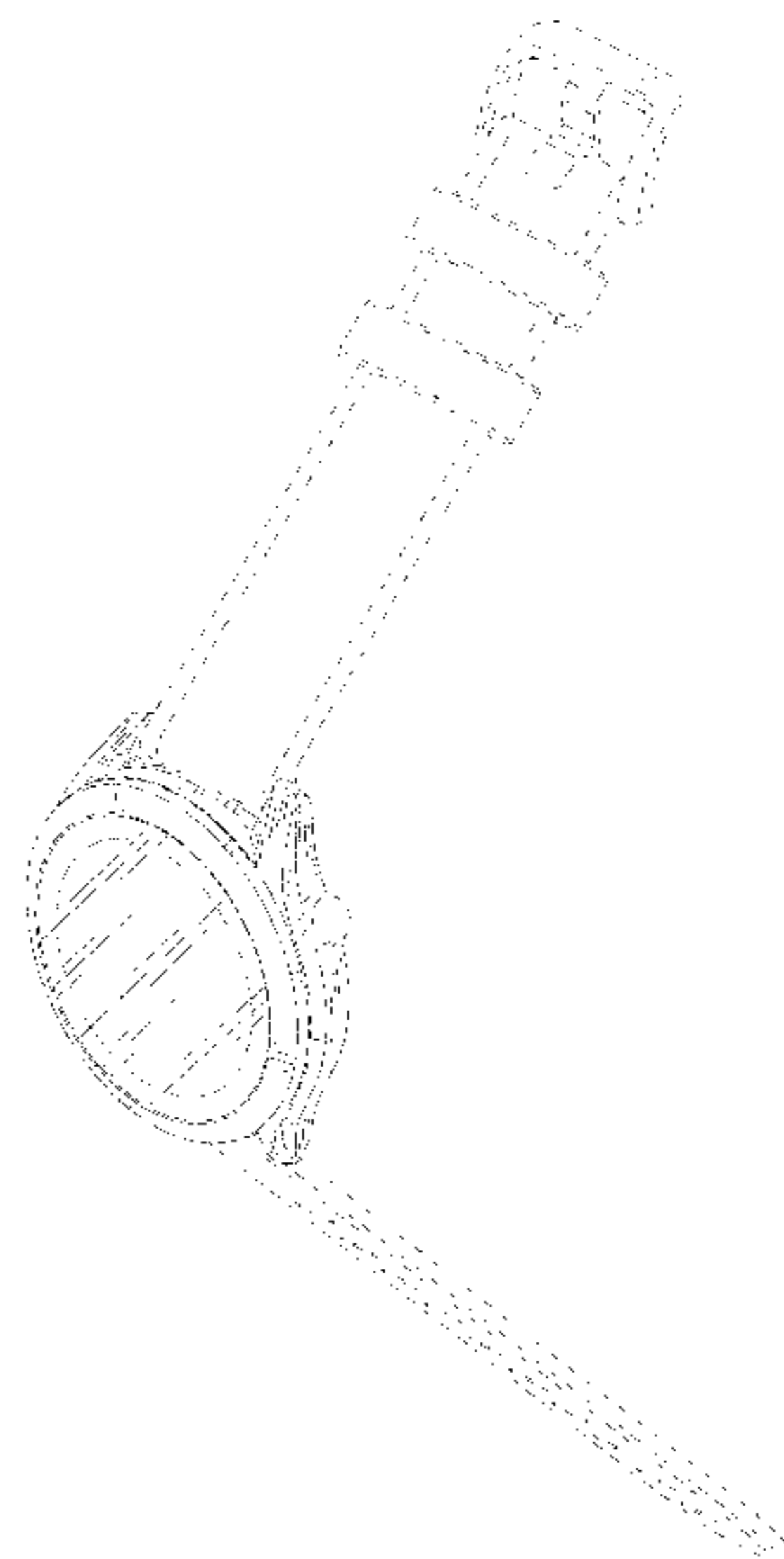
The ornamental design for a watch with display, as shown and described.

**DESCRIPTION**

FIG. 1 is a front perspective view of a watch with display according to the present invention; FIG. 2 is a rear perspective view of the watch with display; FIG. 3 is a top view of the watch with display; FIG. 4 is a front view of the watch with display; FIG. 5 is a bottom view of the watch with display; FIG. 6 is a rear view of the watch with display; FIG. 7 is a left side view of the watch with display; and, FIG. 8 is a right side view of the watch with display. The broken lines shown in the drawings represent portions of the watch with display that form no part of the claimed design.

**1 Claim, 8 Drawing Sheets**

- (56) **References Cited**  
U.S. PATENT DOCUMENTS
- D222,784 S 12/1971 Granges
- 3,733,809 A 5/1973 Reiter et al.
- 3,740,944 A 6/1973 Chopard
- 3,901,023 A 8/1975 Uebelhardt
- 3,914,933 A \* 10/1975 Carlone ..... G04C 3/001  
368/69
- D317,265 S 6/1991 Giolla et al.





(56)

## References Cited

## U.S. PATENT DOCUMENTS

6,577,558 B1	6/2003	Ricci	
D504,624 S	5/2005	Bodino	
D517,432 S	3/2006	Laucella	
D538,182 S	3/2007	Lalo	
D573,486 S	7/2008	Sanz	
D576,907 S	9/2008	Calvani	
D585,310 S	1/2009	Allison	
D590,274 S *	4/2009	Monachon .....	D10/128
D592,975 S	5/2009	Markl	
D596,510 S	7/2009	Register et al.	
D607,346 S	1/2010	Bove et al.	
D610,922 S	3/2010	Lammers-Meis et al.	
D611,842 S	3/2010	Parmigiani	
D633,812 S	3/2011	Yurman	
D649,481 S	11/2011	Crocco	
D657,697 S	4/2012	Lammers-Meis et al.	
D658,079 S	4/2012	Emch	
D658,518 S	5/2012	Behling	
D660,726 S	5/2012	Register et al.	
D660,727 S	5/2012	Parmigiani	
D661,206 S	6/2012	Register et al.	
D664,865 S	8/2012	Luk Ying Yee	
D682,712 S	5/2013	Lammers-Meis et al.	
D725,497 S	3/2015	Henne et al.	
D739,268 S	9/2015	Lammers-Meis et al.	
D740,136 S	10/2015	Henne et al.	
D742,761 S	11/2015	Grazian et al.	
D749,431 S *	2/2016	Babcock .....	D10/30
D756,240 S	5/2016	Register et al.	
D769,134 S *	10/2016	Schwamkrug .....	D10/38
D772,081 S	11/2016	Lee et al.	
D789,542 S	6/2017	Lillquist et al.	
D801,195 S *	10/2017	Monachon .....	D10/30
D803,210 S *	11/2017	Bang .....	D14/344
D804,966 S *	12/2017	Inoue .....	D10/30
D805,405 S	12/2017	Henne et al.	
D805,406 S	12/2017	Register et al.	
D806,581 S	1/2018	Register et al.	
D806,582 S	1/2018	Register et al.	
D822,509 S *	7/2018	Monachon .....	D10/38
D835,621 S *	12/2018	Bang .....	D14/344
D836,101 S *	12/2018	Bang .....	D14/344
D836,464 S *	12/2018	Liu .....	D10/30
D844,458 S *	4/2019	Lillquist .....	D10/30
10,276,925 B2 *	4/2019	Han .....	H01Q 1/48
D848,864 S *	5/2019	Mockler .....	D10/30
D851,504 S *	6/2019	Henne .....	D10/30
D857,528 S *	8/2019	Moilanen .....	D10/38

## OTHER PUBLICATIONS

U.S. Appl. No. 29/552,623, filed Jan. 25, 2016 entitled Watch With Display.

Garmin Forerunner 405, published Jan. 2008.

Garmin Forerunner 610, published Mar. 2011.

Huawei Watch, Timeless Design, Smart Within; <http://consumer.huawei.com/en/wearables/huawei-watch/index.htm>; published prior to Dec. 15, 2016.

Apple Watch, to wear it is to love it, [site visited Dec. 16, 2015] <http://www.apple.com/watch/>; published prior to Jan. 25, 2016.

Hublot Formula 1 King Power F1 Ceramic Limited Sealed, [site visited Nov. 16, 2017] <http://www.chrono24.com/hublot/formula-1-king-power-f1-ceramic-limited-sealed--id1818204.htm>; published prior to Dec. 15, 2016.

Raphael, Jr; Moto 360 Review: An elegant smartwatch with exceptional features, posted Sep. 15, 2014, <http://www.computerworld.com/article/2643100/moto-360-review-an-elegant-smartwatch-with-exceptional-features.html>; published prior to May 8, 2015.

Cookoo, the connected watch, [site visited Oct. 14, 2015] <http://www.cookoo2.com/>; published prior to May 21, 2015.

Linde Werdelin, Spidolite watches, <http://www.lindewerdelin.com/products/watches/spidolite>; published prior to May 21, 2012.

Ralph Lauren, la collection automotive, [http://www.ralphlauren.fr/category/index.jsp?categoryId=53519341&ab=fr\\_FR-Watches\\_LP\\_Slot\\_5\\_S1](http://www.ralphlauren.fr/category/index.jsp?categoryId=53519341&ab=fr_FR-Watches_LP_Slot_5_S1); published prior to Dec. 15, 2016.

Suunto sports watches for athletes, runners, outdoor adventurers, [site visited Feb. 23, 2017, <http://www.suunto.com/en-US/Product-search/See-all-Sports-Watches/?sortBy=-New&searchTerm=traverse&page=0>]; published prior to Dec. 15, 2016.

Tag Heuer calibre heuer 01—chronograph titanium 43 mm, [site visited Nov. 23, 2016] <http://www.tagheuer.com/int-an/luxury-watches/carrera/carrera-calibre-heuer-01-chronograph-titanium-43mm-grey-others-bracelet>; published prior to Aug. 15, 2016.

Tag Heuer Carrera Calibre 1887 Automatic Chronograph 43 MM, [site visited Nov. 23, 2016] <http://www.tagheuer.com/int-en/luxury-watches/carrera/carrera-calibre-186-7automatic-chronograph43-mm-black-steel-bracelet-car2a10-ba0799>; published prior to Aug. 15, 2016.

Tissot T-touch tactile watch, [site visited Feb. 23, 2017] <http://www.t-touch.com/en-en/#!/t-touch-expert-solar>; published prior to Dec. 15, 2016.

Tag Heuer Chronograph Automatic Men's Watch, [site visited May 4, 2018] [https://jet.com/product/detail/fc92daab81424e10baa51759e0ea8729?icmp=pla--gal:NJ\\_dur\\_Cwin\\_Mens\\_Clothing\\_Shoes\\_Accessories\\_a1.Mens\\_Clothing\\_Shoes\\_Accessories\\_Mens\\_Watches\\_Mens\\_Watches\\_a1:na:PLA\\_791051016\\_46779163368\\_pla-322-827945084:na:na:na:2&code=PLA15](https://jet.com/product/detail/fc92daab81424e10baa51759e0ea8729?icmp=pla--gal:NJ_dur_Cwin_Mens_Clothing_Shoes_Accessories_a1.Mens_Clothing_Shoes_Accessories_Mens_Watches_Mens_Watches_a1:na:PLA_791051016_46779163368_pla-322-827945084:na:na:na:2&code=PLA15); published prior to Apr. 6, 2017.

Amazon Fashion, Salvatore Ferragamo Men's, black carbon fiber and back rubber watch, [site visited Nov. 16, 2017] <https://www.amazon.com/Salvatore-Ferragamo-F55LGO6877-S113-Carbon/dp/B007-O2FO8>; published prior to Apr. 6, 2017.

Amazon Fashion, Welder Men's k28-7100 Chronograph Black Ion-Plated Stainless Steel Round Watch, <https://www.amazon.com/Welder-K28-7100-Chronograph-Ion-Plated-Stainless/dp/B001PRFJOY>; published prior to Dec. 15, 2016.

ASUS ZenWatch, time-honored tradition, smart innovation, [site visited Jan. 12, 2017] [https://www.asus.com/ZenWatch/ASUS\\_ZenWatch\\_WI500Q/](https://www.asus.com/ZenWatch/ASUS_ZenWatch_WI500Q/); published prior to Jan. 25, 2016.

Audemars Piguet—Swiss Luxury Watches, royal oak offshore, [site visited Nov. 16, 2017] <https://www.audemarspiguet.com/en/watch-collection/royal-oak-offshore/>; published prior to Dec. 15, 2016.

Bloomingdales—the greatest gift guide; [https://www.bloomingdales.com/shop/product/g-shock-g-steel-53.8mm?ID=2725-010&pla\\_country=US&cm\\_mmc=Google-PLA-ADC--Jewelry%20%26%20Accessories-NA--\\_G-shock--869232168203USA&CAWELAID=120156070005934945&CAGPSPN=pla&CAAGID=-47685648719&CATCI=pla-383074889643&CATARGETID=120156070006241384&cadevice=c&gclid=EAlalOobChMlvMbEIL3B1wIVk6DsCh3QDw-NMEAQYASABEqJNgvD\\_BwE](https://www.bloomingdales.com/shop/product/g-shock-g-steel-53.8mm?ID=2725-010&pla_country=US&cm_mmc=Google-PLA-ADC--Jewelry%20%26%20Accessories-NA--_G-shock--869232168203USA&CAWELAID=120156070005934945&CAGPSPN=pla&CAAGID=-47685648719&CATCI=pla-383074889643&CATARGETID=120156070006241384&cadevice=c&gclid=EAlalOobChMlvMbEIL3B1wIVk6DsCh3QDw-NMEAQYASABEqJNgvD_BwE); published prior to Dec. 15, 2016.

LG G Watch Review—CNET, [site visited Jan 12, 2017] <https://www.cnet.com/products/lg-g-watch/review/>; published prior to Jan. 25, 2016.

Omega speedmaster moonwatch professional chronograph 42 mm, <https://www.omegawatches.com/watch-omega-speedmaster-moonwatch-professional-chronograph-42-mm-31133423001002>; published prior to Apr. 6, 2017.

Sony smartwatch 3 SWR50, life at a glance, [site visited Jan. 12, 2017] <https://www.sonymobile.com/global-en/products/smart-products/smartwatch-3-swr50/>; published prior to Jan. 25, 2016.

Suunto Ambit In-Depth Review, [www.dcrainmaker.com/2012/04/suunto-ambit-in-depth-review.html](http://www.dcrainmaker.com/2012/04/suunto-ambit-in-depth-review.html); published prior to Sep. 29, 2015.

Suunto Ambit2 Black, integrated GPS watch with heart rate monitoring option, weather functions and suunto apps for all outdoor sports, [www.suunto.com/en-US/Products/Sports-Watches/Suunto-Ambit2/Suunto-Ambit2--Black/](http://www.suunto.com/en-US/Products/Sports-Watches/Suunto-Ambit2/Suunto-Ambit2--Black/); published prior to Sep. 29, 2015.

Casio MT G G-Shock Watch, [www.theaaronloy.com/wp-content/uploads/2013/07/Casio-MT-G-G-Shock-Watch.jpg](http://www.theaaronloy.com/wp-content/uploads/2013/07/Casio-MT-G-G-Shock-Watch.jpg); published prior to Sep. 29, 2015.

Casio Edifice 8, [www.watchtowhat.com/wp-content/uploads/2015/03/casio-edifice-8.jpg](http://www.watchtowhat.com/wp-content/uploads/2015/03/casio-edifice-8.jpg); published prior to Sep. 29, 2015.

Suunto Core, the outdoor watch, <https://www.suunto.com/en-us/Sports-Watch-Collections/Suunto-Core-Collection>; published prior to Apr. 6, 2017.

(56)

**References Cited**

OTHER PUBLICATIONS

Suunto Elementum Ventus Brown Leather, [site visited Oct. 10, 2018] <https://www.suunto.com/en-us/Products/Sports-Watches/Suunto-Elementum-Ventus/Suunto-Elementum-Ventus-Brown-Leather>; published prior to Apr. 6, 2017.

Smith, Craig, Suunto X10, GPS Running Watch Review, [site visited Oct. 10, 2018] <http://www.gpsrunningwatchreview.com/reviews/suunto-x10-review>; published Nov. 2010.

Practical Travel Gear, travel gear reviews, Timex Expedition E-compass Titanium Watch, [site visited Oct. 10, 2018] <http://practicaltravelgearblogspot.com/2008/07/timex-expedition-e-compass-titanium.html>; published Jul. 2008.

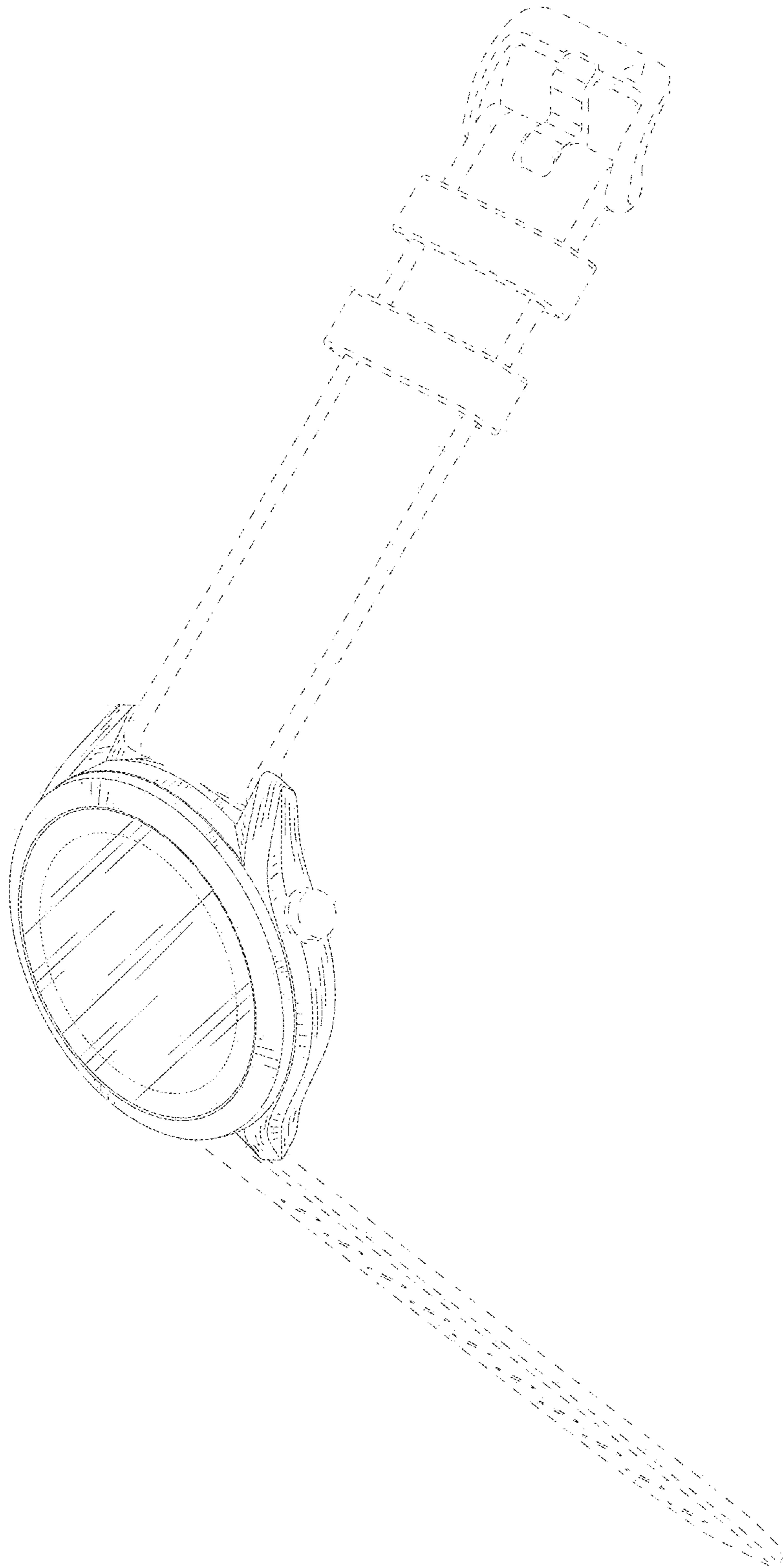
Tissot T-Touch Titanium, <https://www.tissotwatches.com/en-gb/shop/tissot-t-touch-ii-titanium-gent-3.html>; published prior to Apr. 6, 2017.

Wikipedia, "Omega Speedmaster," [https://en.wikipedia.org/wiki/Omega\\_Speedmaster](https://en.wikipedia.org/wiki/Omega_Speedmaster), printed Oct. 2, 2019, published before Feb. 26, 2019.

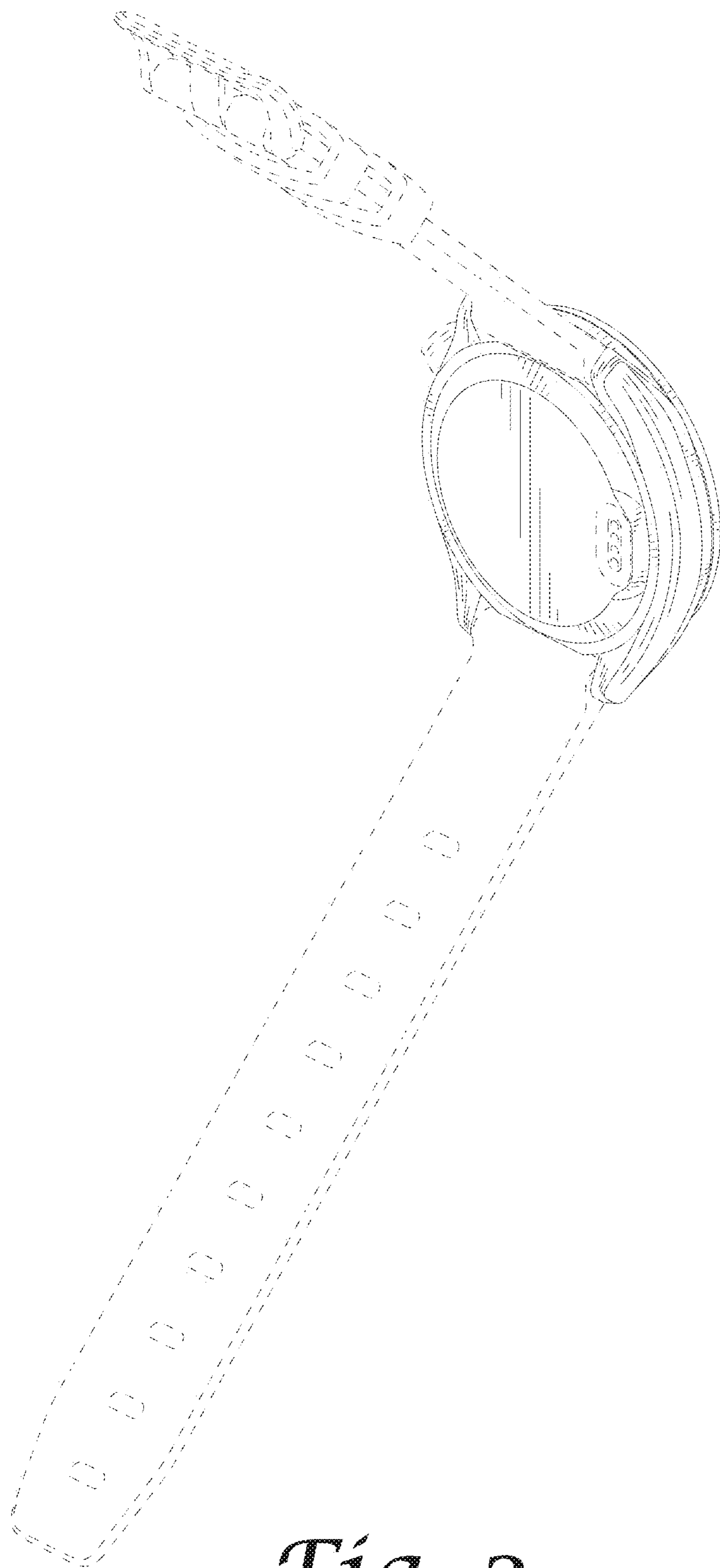
Tag Heuer, "Carrera Calibre 5 Day-Date," <https://www.tagheuer.com/en-us/watches/tag-heuer-carrera-calibre-5-day-date-automatic-watch-41-mm-war201e-fc6292>; printed Oct. 2, 2019, published before Feb. 26, 2019.

\* cited by examiner

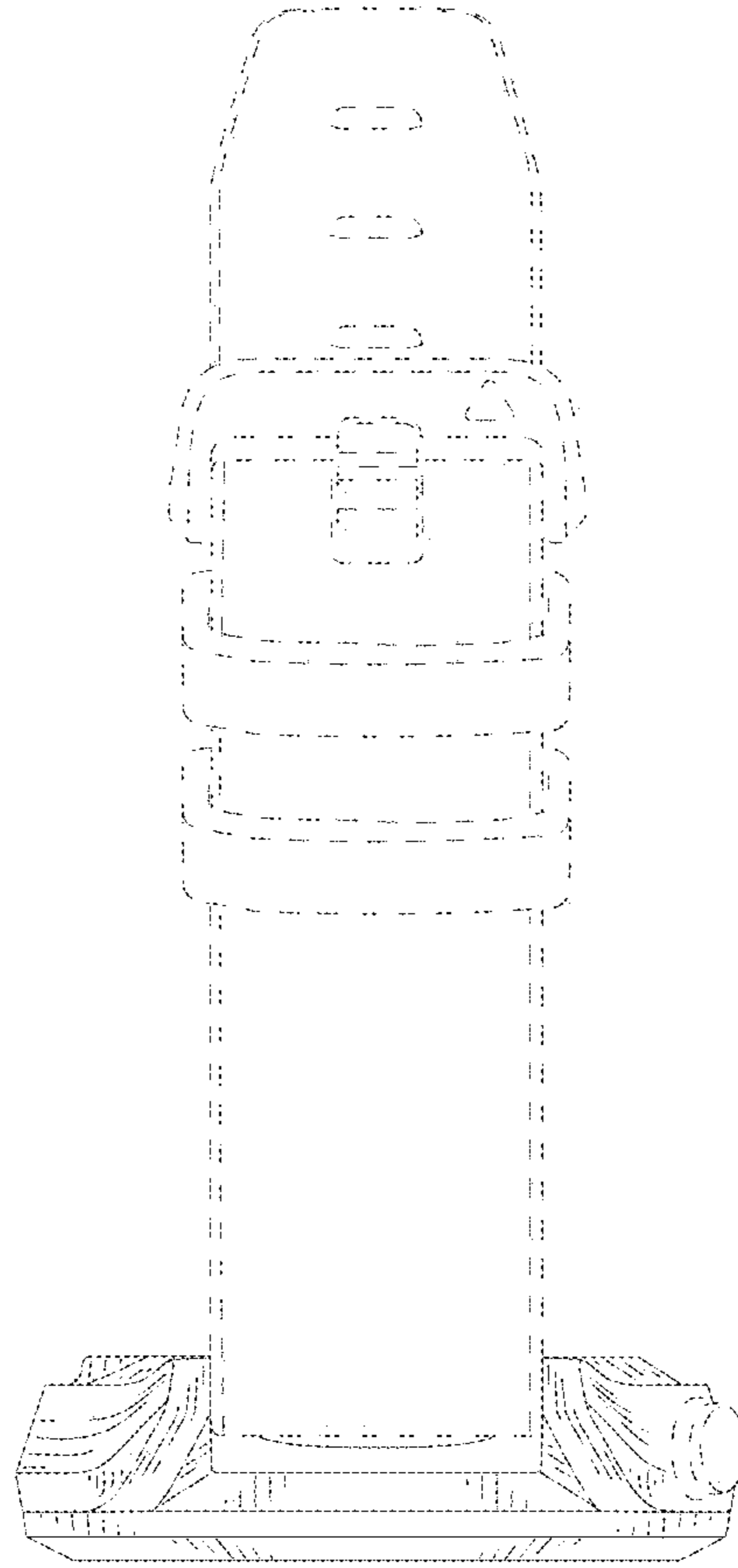




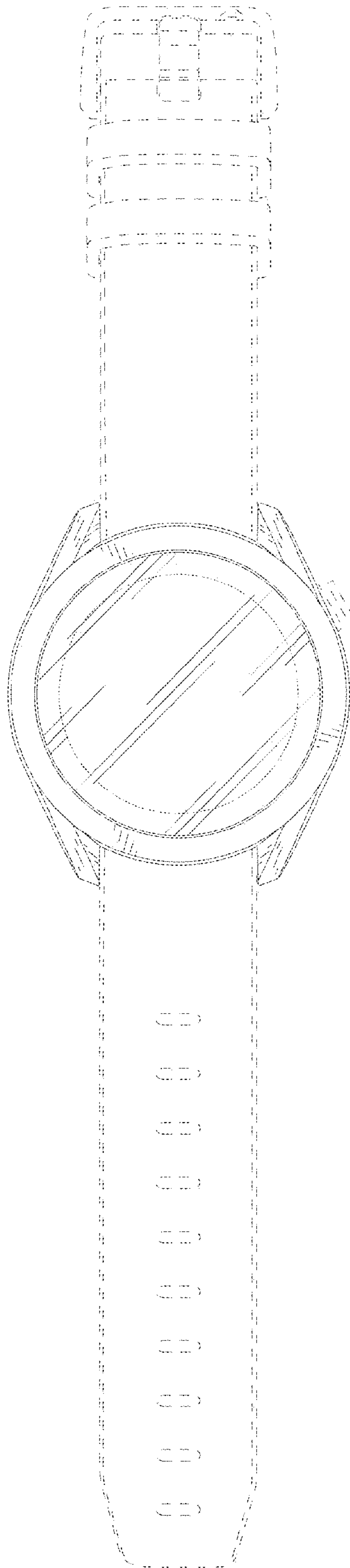
*Fig. 1*



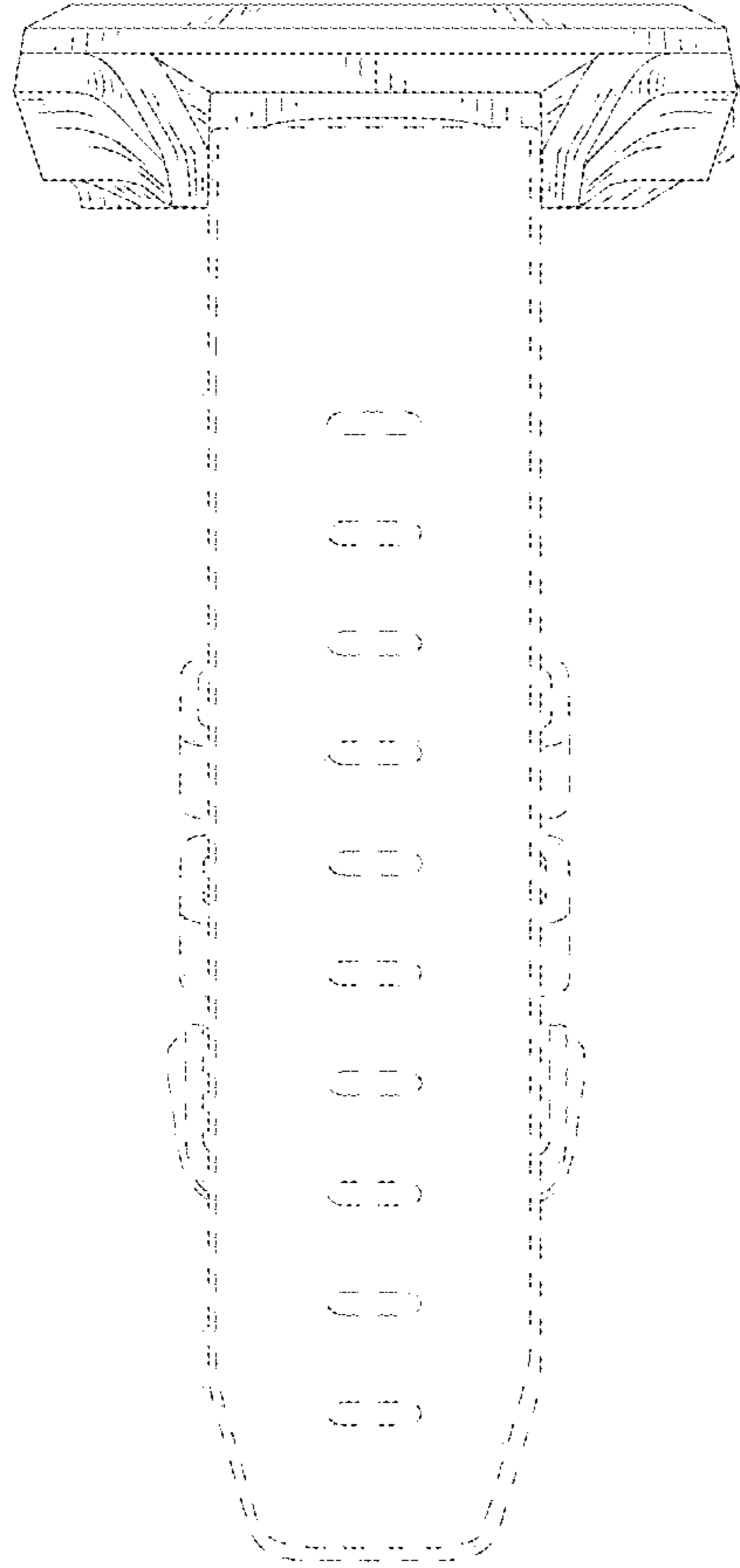
*Fig. 2*



*Fig. 3*

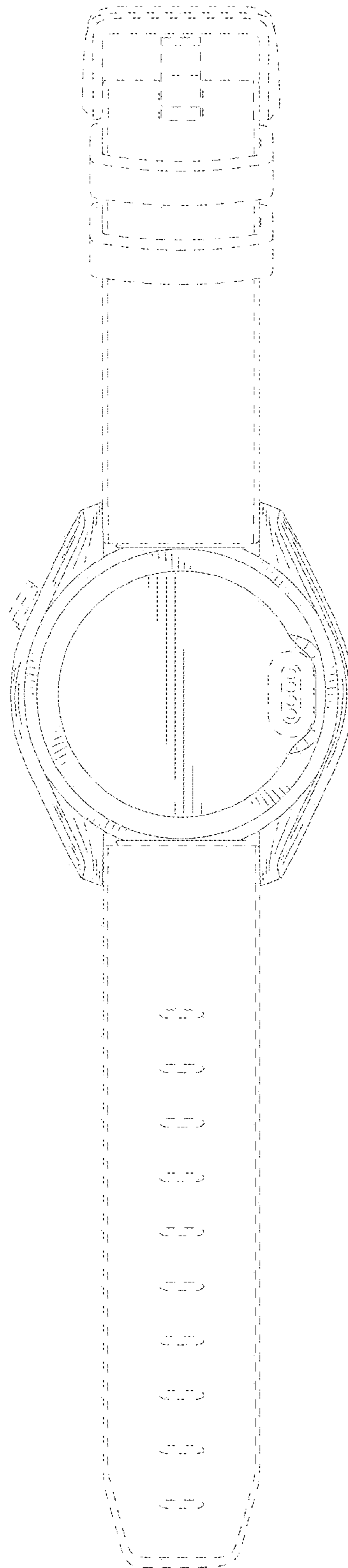


*Fig. 4*

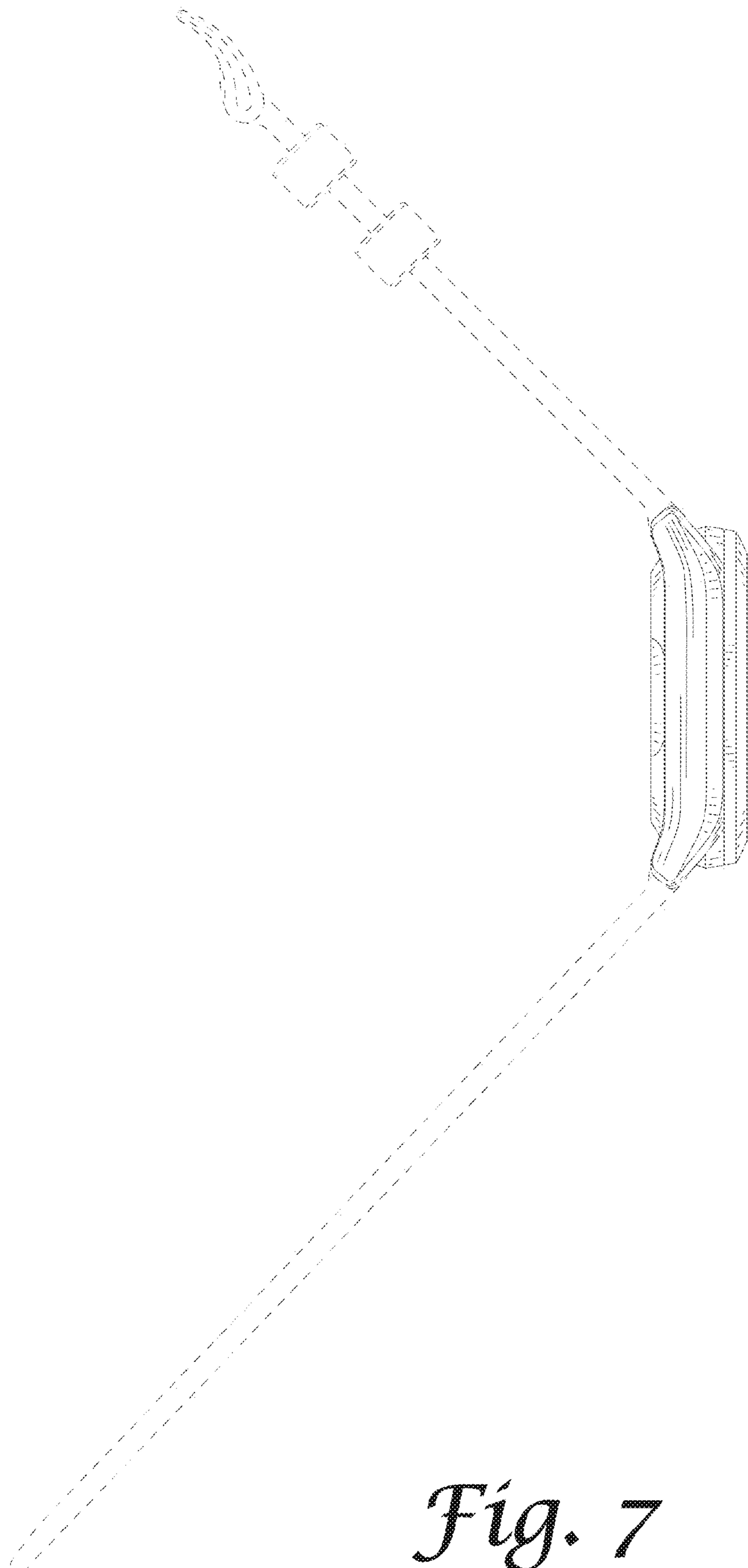


*Fig. 5*

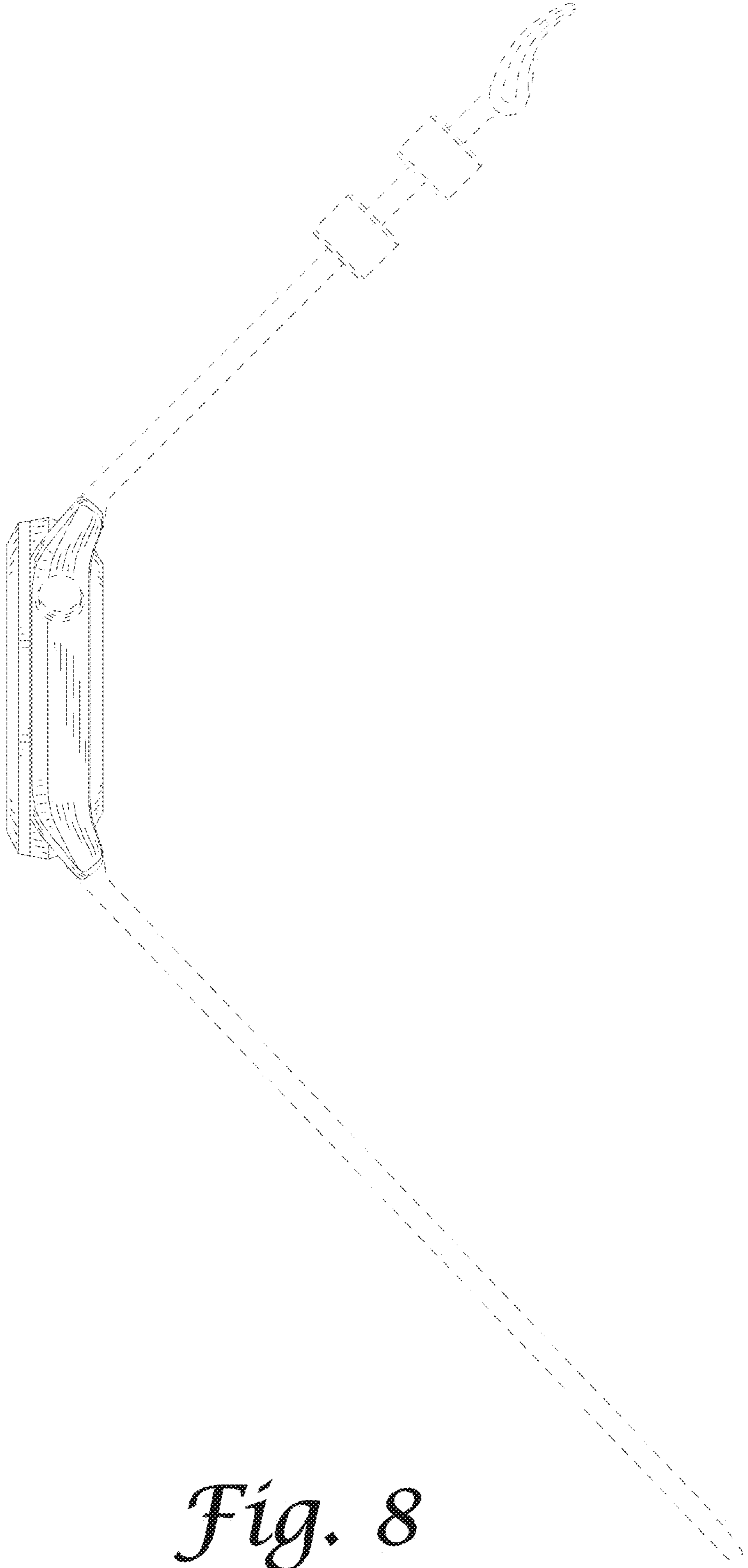




*Fig. 6*



*Fig. 7*



*Fig. 8*