



US00D900642S

(12) **United States Design Patent** (10) **Patent No.:** **US D900,642 S**
Dumas et al. (45) **Date of Patent:** **** Nov. 3, 2020**

(54) **WRISTWATCH**

(56) **References Cited**

(71) Applicant: **LA MONTRE HERMES S.A.**, Brugg (CH)

U.S. PATENT DOCUMENTS

(72) Inventors: **Pierre-Alexis Dumas**, Paris (FR);
Claudio D'Amore, Lausanne (CH)

D624,834 S *	10/2010	Modolo	D10/39
D684,485 S *	6/2013	Padron	D10/39
D698,268 S *	1/2014	Mijatovic	D10/32
D735,586 S *	8/2015	Stegmann	D10/30
D790,992 S *	7/2017	Nicotra	D10/39
D812,498 S *	3/2018	Lacroix-Gachet	D10/32
D864,764 S *	10/2019	Becca	D10/39

(**) Term: **15 Years**

* cited by examiner

(21) Appl. No.: **35/507,443**

Primary Examiner — George D. Kirschbaum

(22) Filed: **Apr. 23, 2019**

Assistant Examiner — Joseph J Kukella

(80) **Hague Agreement Data**

Int. Filing Date: **Apr. 23, 2019**

Int. Reg. No.: **DM/202717**

Int. Reg. Date: **Apr. 23, 2019**

Int. Reg. Pub. Date: **Sep. 13, 2019**

(57) **CLAIM**

The ornamental design for a wristwatch, as shown and described.

(51) **LOC (12) Cl.** **10-02**

(52) **U.S. Cl.**
USPC **D10/32**

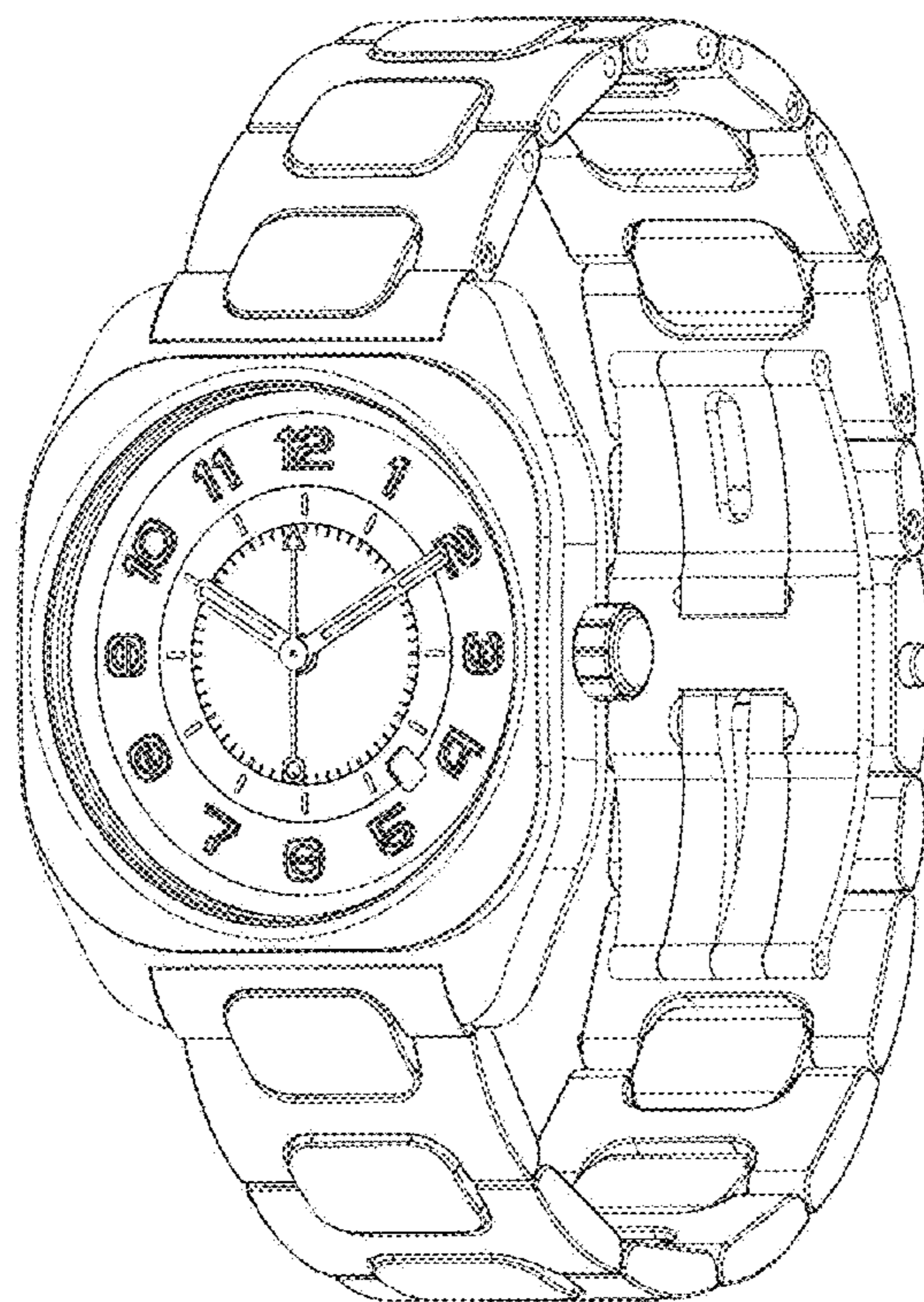
DESCRIPTION

(58) **Field of Classification Search**
USPC D10/1-2, 10, 30-33, 36-39, 98-99,
D10/122-124, 126-128; D11/3;
D14/344
CPC G04B 19/00; G04B 19/04; G04B 19/042;
G04B 19/046; G04B 19/048; G04B
19/06; G04B 19/065; G04B 19/08; G04B
19/082; G04B 19/085; G04B 19/087;
G04B 19/10; G04B 19/103; G04B
19/106; G04B 19/24; G04B 19/241;
G04B 19/243; A44C 5/00-246

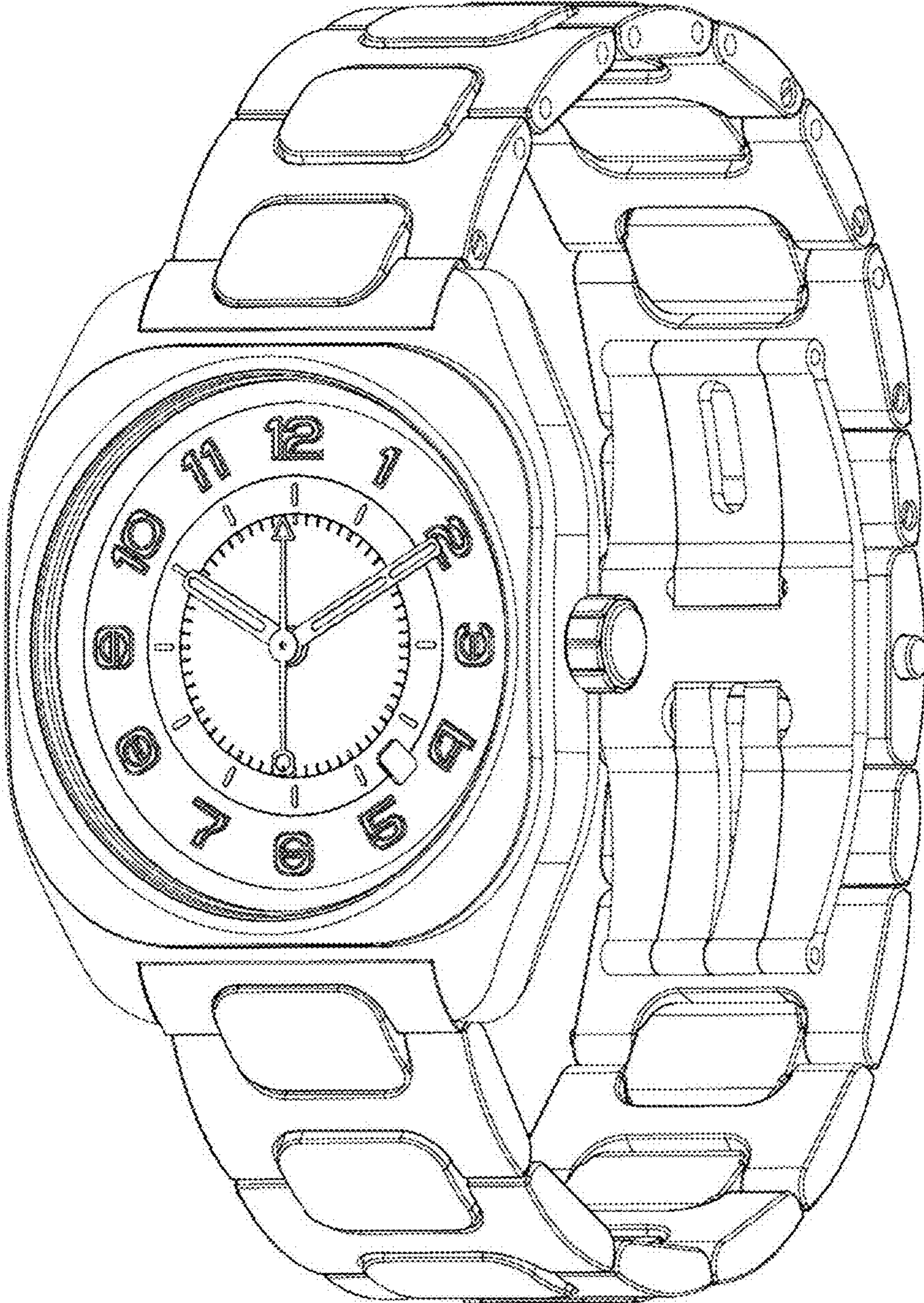
- 1. Wristwatch
- 1.1 : Perspective
- 1.2 : Front
- 1.3 : Back
- 1.4 : Right
- 1.5 : Left
- 1.6 : Top
- 1.7 : Bottom
- 1.8 : Perspective

See application file for complete search history.

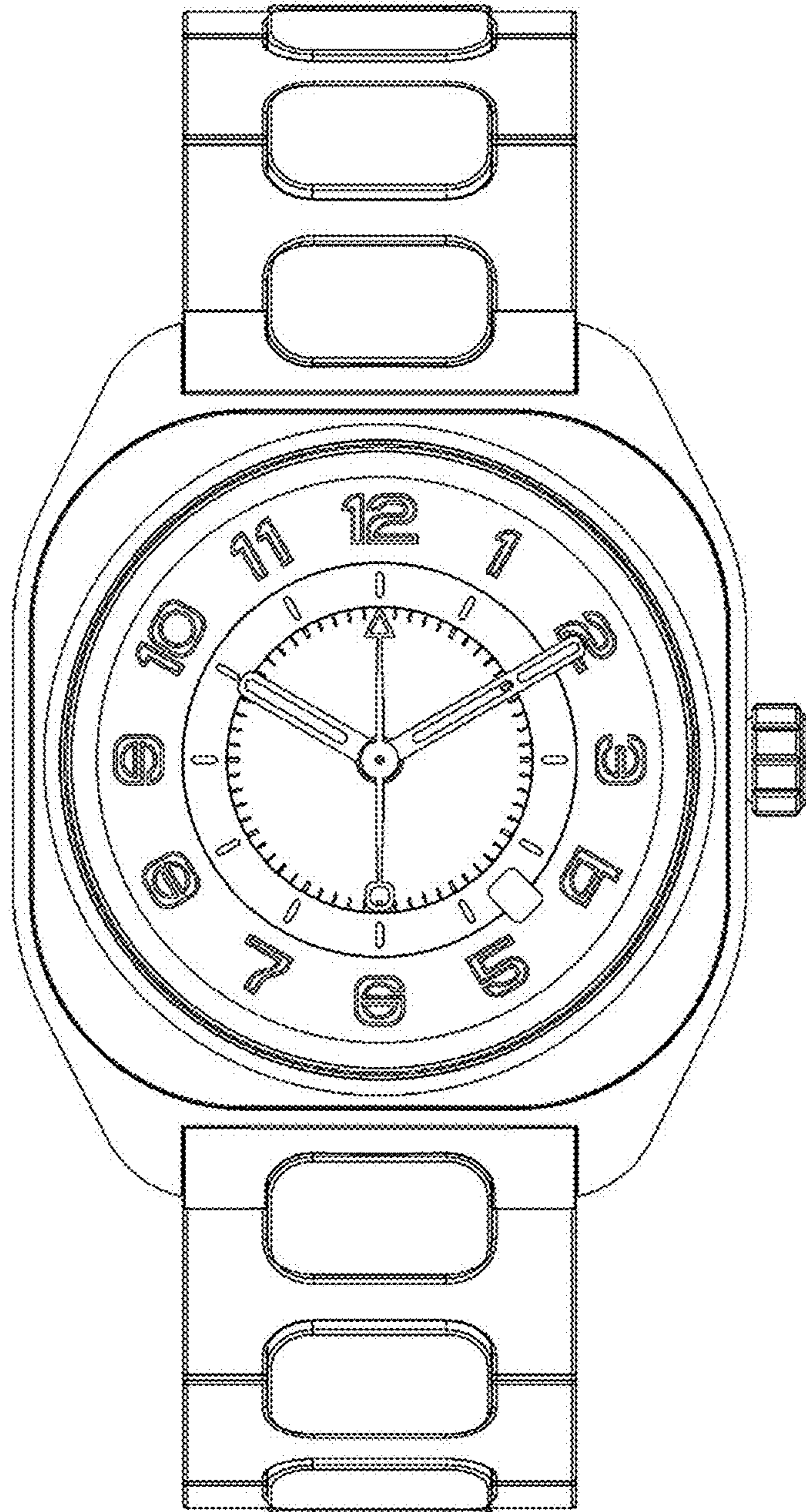
1 Claim, 8 Drawing Sheets



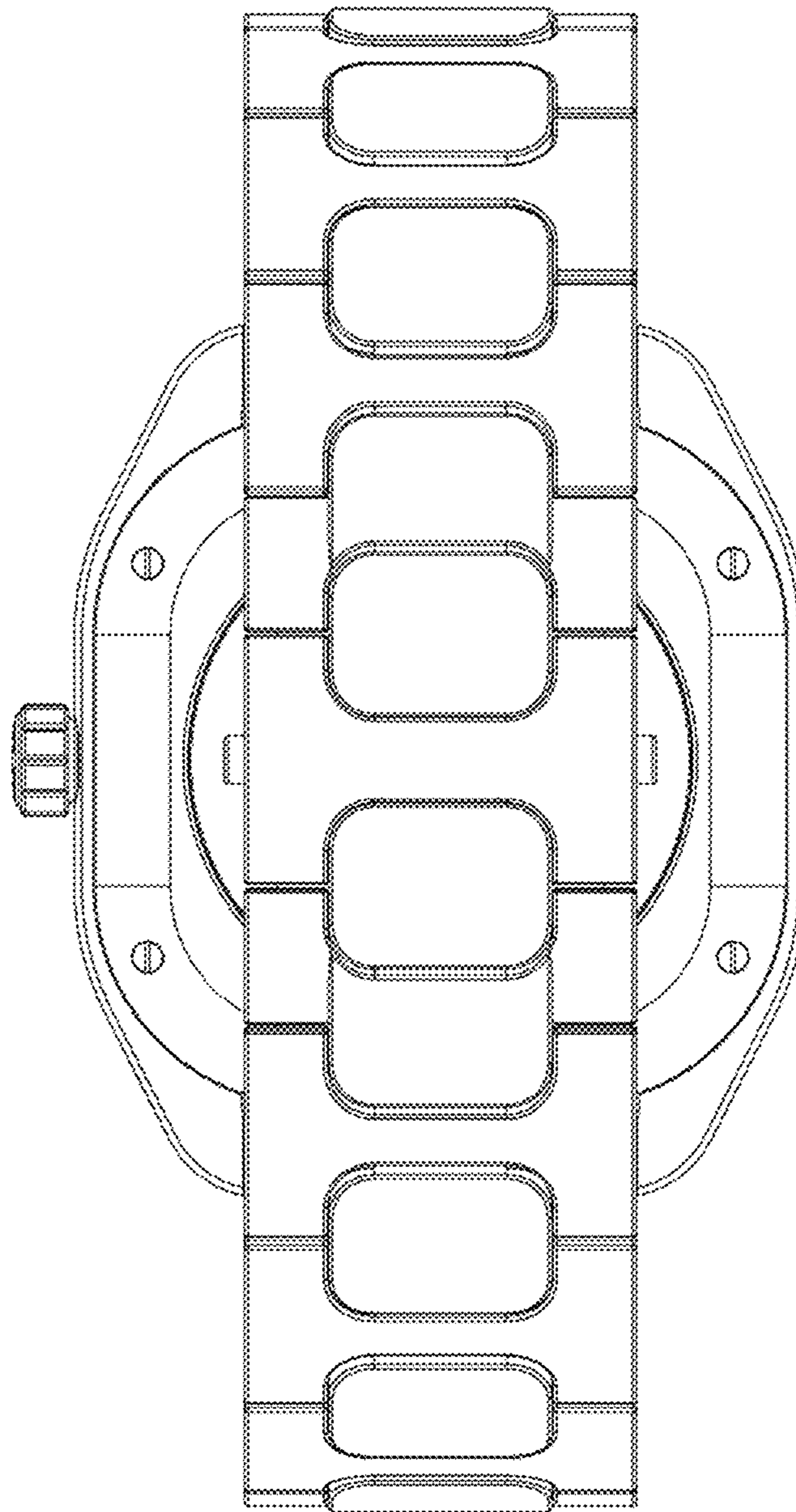
1.1



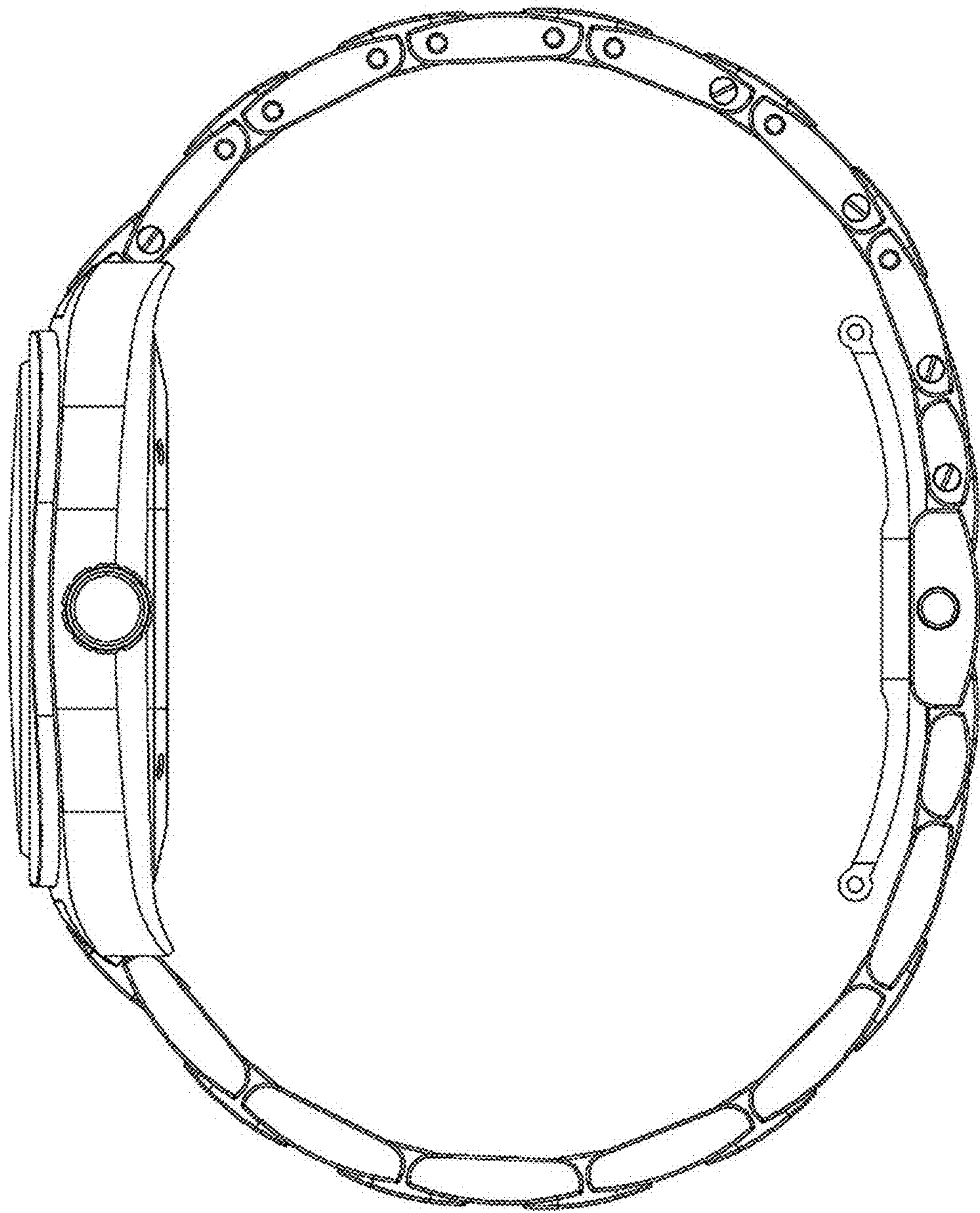
1.2



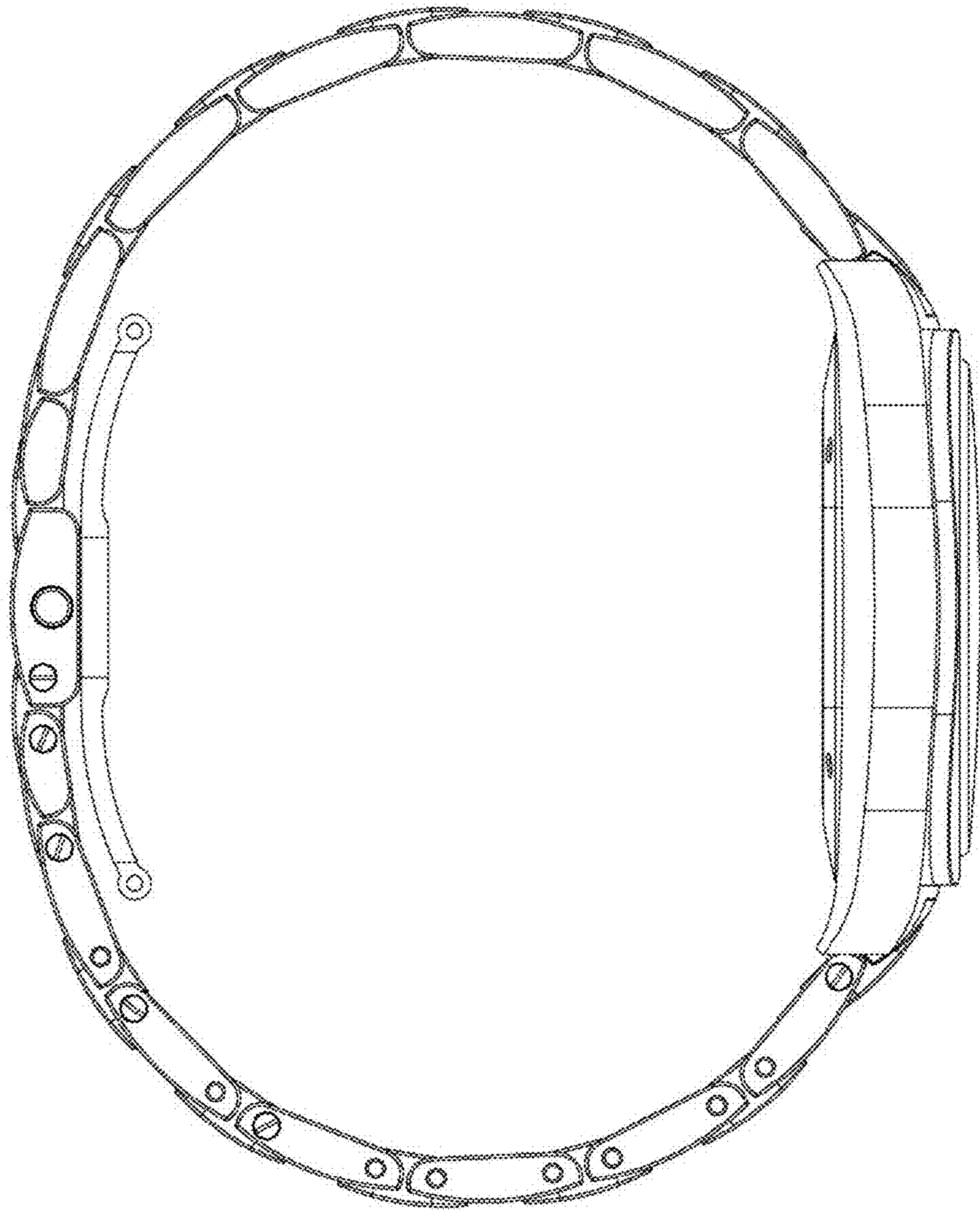
1.3



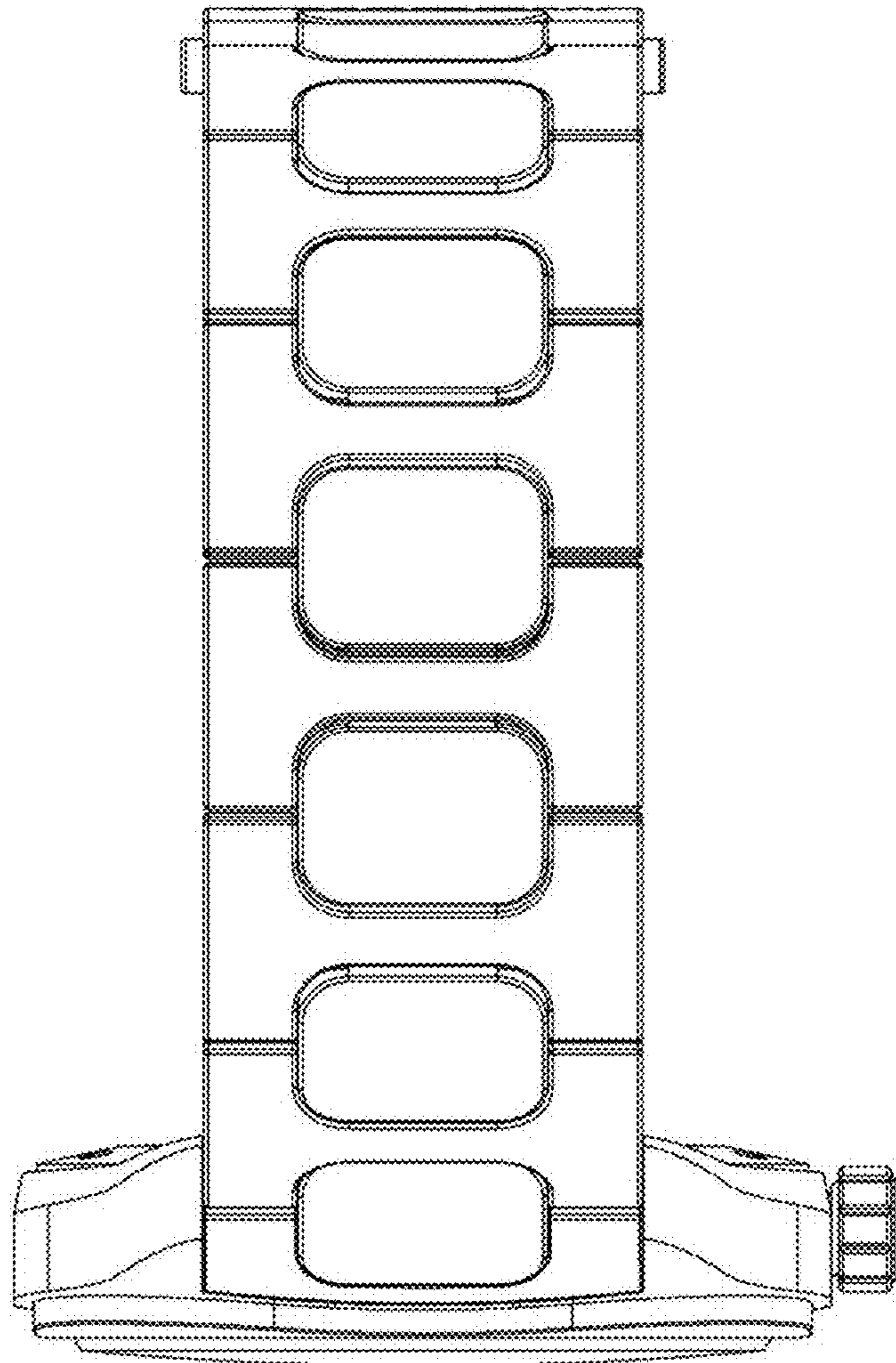
1.4



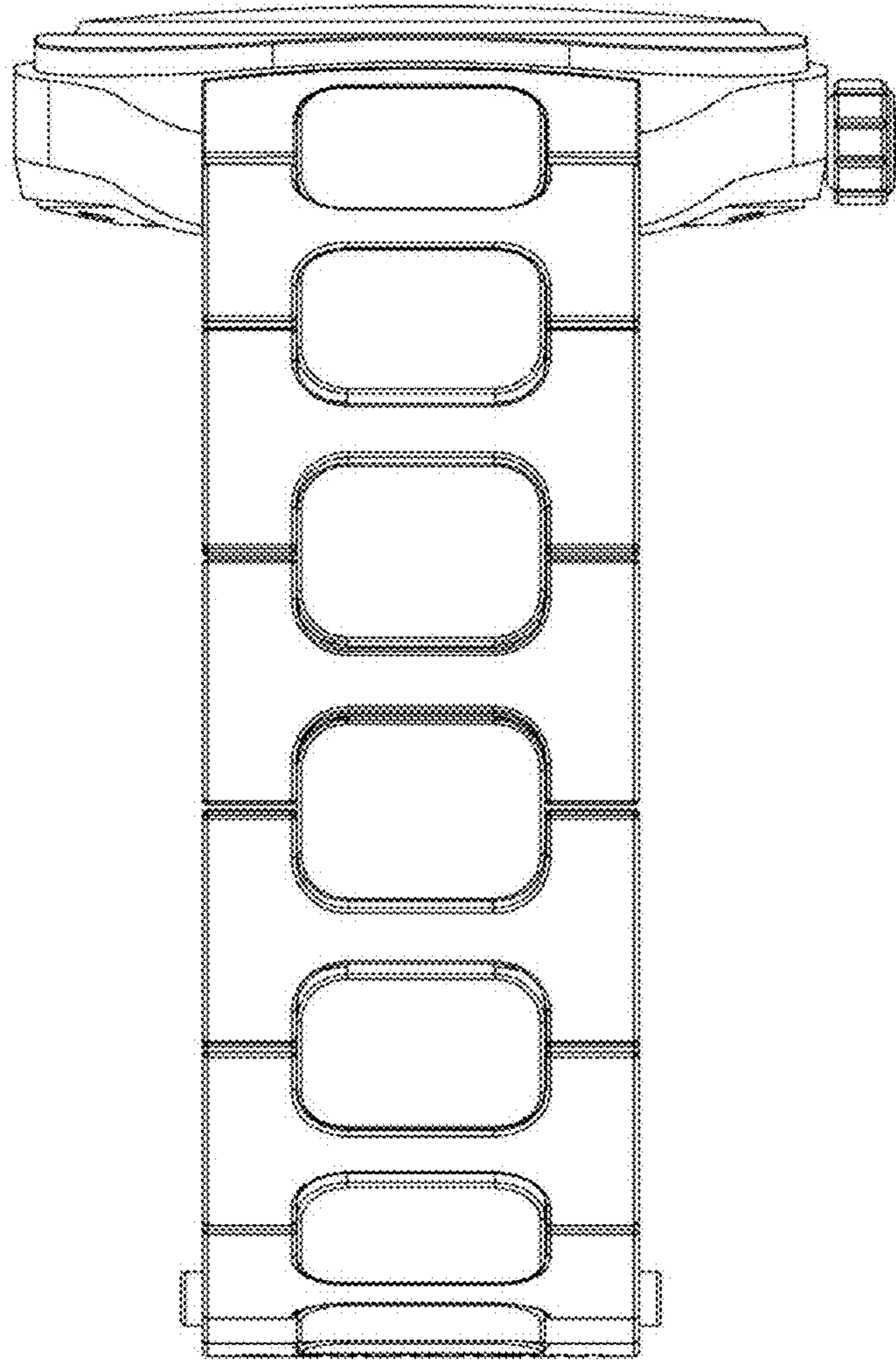
1.5



1.6



1.7



1.8

