



(12) **United States Design Patent**  
**Huang**

(10) **Patent No.:** **US D900,640 S**  
(45) **Date of Patent:** **\*\* Nov. 3, 2020**

(54) **CONTAINER**

(71) Applicant: **Jun Tao Huang**, Castro Valley, CA  
(US)

(72) Inventor: **Jun Tao Huang**, Castro Valley, CA  
(US)

(\*\*) Term: **15 Years**

(21) Appl. No.: **29/700,600**

(22) Filed: **Aug. 2, 2019**

(51) **LOC (12) Cl.** ..... **09-03**

(52) **U.S. Cl.**  
USPC ..... **D9/761; D9/425; D7/703**

(58) **Field of Classification Search**  
USPC ..... D9/737, 756, 759, 761, 503, 504, 414,  
D9/424-426, 430, 432; D7/538, 541,  
D7/542, 553.1-553.3, 553.7, 555, 557,  
D7/701, 703, 708, 602, 629; D3/203.3,  
D3/273, 283, 294, 295, 310, 313;  
D24/226, 227, 229; 229/120.02, 120.07,  
229/406, 407, 904, 906; 220/500, 507,  
220/508, 553, 555, 556; 206/521.1,  
206/521.15, 561, 443  
CPC ..... B65D 1/24; B65D 43/162; B65D 77/046;  
B65D 81/3294

See application file for complete search history.

(56) **References Cited**

**U.S. PATENT DOCUMENTS**

D236,691 S	9/1975	Haase	
D236,692 S	9/1975	Haase	
5,515,993 A	5/1996	McManus	
D536,992 S	2/2007	Garg et al.	
D584,108 S *	1/2009	Olsson	D7/553.1
D586,623 S	2/2009	Dunn	
D601,014 S	9/2009	Petitjean	
D615,822 S	5/2010	Klein	

D640,548 S	6/2011	Lawrence et al.	
D665,676 S *	8/2012	Wu	D9/761
D666,058 S *	8/2012	Liang	D7/541
D668,537 S	10/2012	Sanfilippo	
D668,950 S	10/2012	Sanfilippo	
D675,517 S	2/2013	Garza	
D680,860 S	4/2013	Schulter et al.	
D681,447 S	5/2013	Schulter et al.	
D683,623 S	6/2013	Chen	
D686,064 S	7/2013	Garza	
D691,901 S *	10/2013	Epstein	D9/761
D694,619 S	12/2013	Pham et al.	
D697,795 S	1/2014	Garza	
9,120,595 B2	9/2015	Chou	
9,132,942 B2	9/2015	Nikaein	
9,187,209 B1	11/2015	Hanna et al.	
D749,412 S	2/2016	Hu	

(Continued)

*Primary Examiner* — W. A. Teddy Falloway

(74) *Attorney, Agent, or Firm* — Fulwider Patton LLP

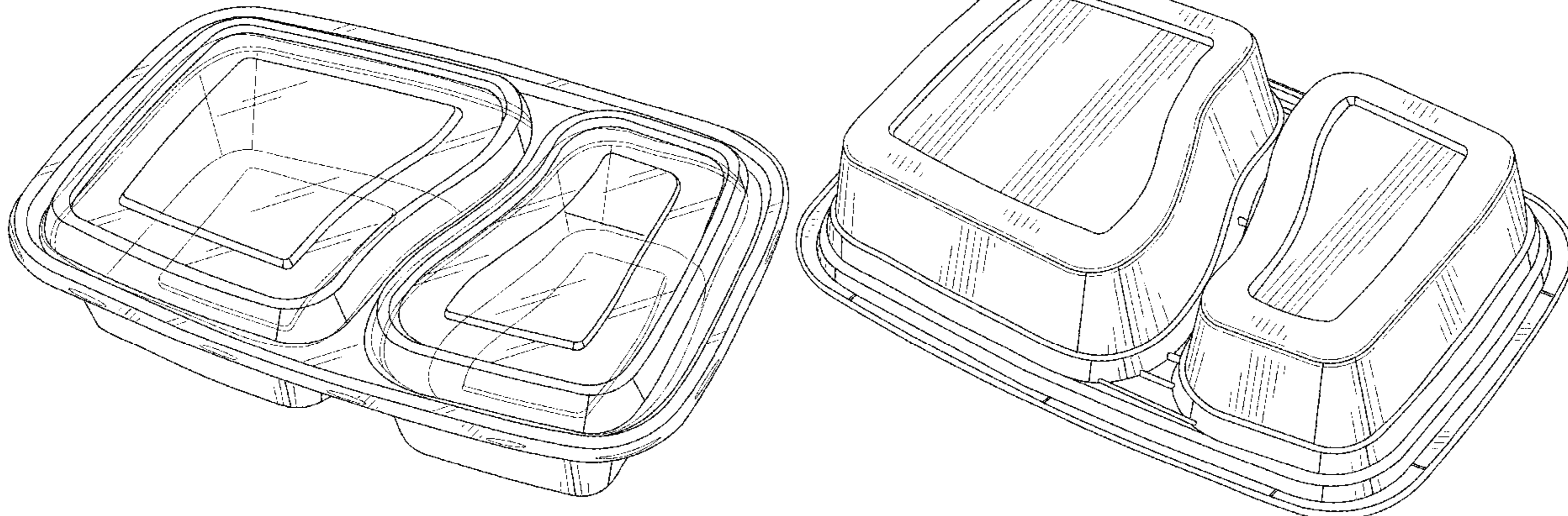
(57) **CLAIM**

I, claim the ornamental design for a container, as shown and described.

**DESCRIPTION**

FIG. 1 is a top perspective view of the container in a closed condition;  
 FIG. 2 is a bottom perspective view of the container in a closed condition;  
 FIG. 3 is a top view of the container in a closed condition;  
 FIG. 4 is a right side view of the container in a closed condition;  
 FIG. 5 is a left side view of the container in a closed condition;  
 FIG. 6 is a rear view of the container in a closed condition. The rear view being the same as a front view in a closed condition; and,  
 FIG. 7 is a bottom view of the container in a closed condition.

**1 Claim, 3 Drawing Sheets**



(56)

**References Cited**

U.S. PATENT DOCUMENTS

D752,430	S	3/2016	Stevenson et al.	
D756,770	S	5/2016	Snedden et al.	
D764,276	S	8/2016	Das et al.	
D778,115	S	2/2017	Strachan	
D778,155	S	2/2017	Strachan	
D778,722	S	2/2017	Strachan	
D792,160	S	7/2017	Ng	
D792,161	S	7/2017	Ng	
D793,811	S	8/2017	Ng	
D881,720	S	* 4/2020	Quada .....	D9/761
2005/0247709	A1	11/2005	Atkins et al.	
2006/0081641	A1	4/2006	Habeger et al.	
2007/0045317	A1	3/2007	Rosender et al.	
2010/0072217	A1	3/2010	Parikh et al.	
2011/0000929	A1	1/2011	Brown et al.	
2011/0139785	A1	6/2011	Strange et al.	
2012/0031921	A1	2/2012	Cadiente	

\* cited by examiner

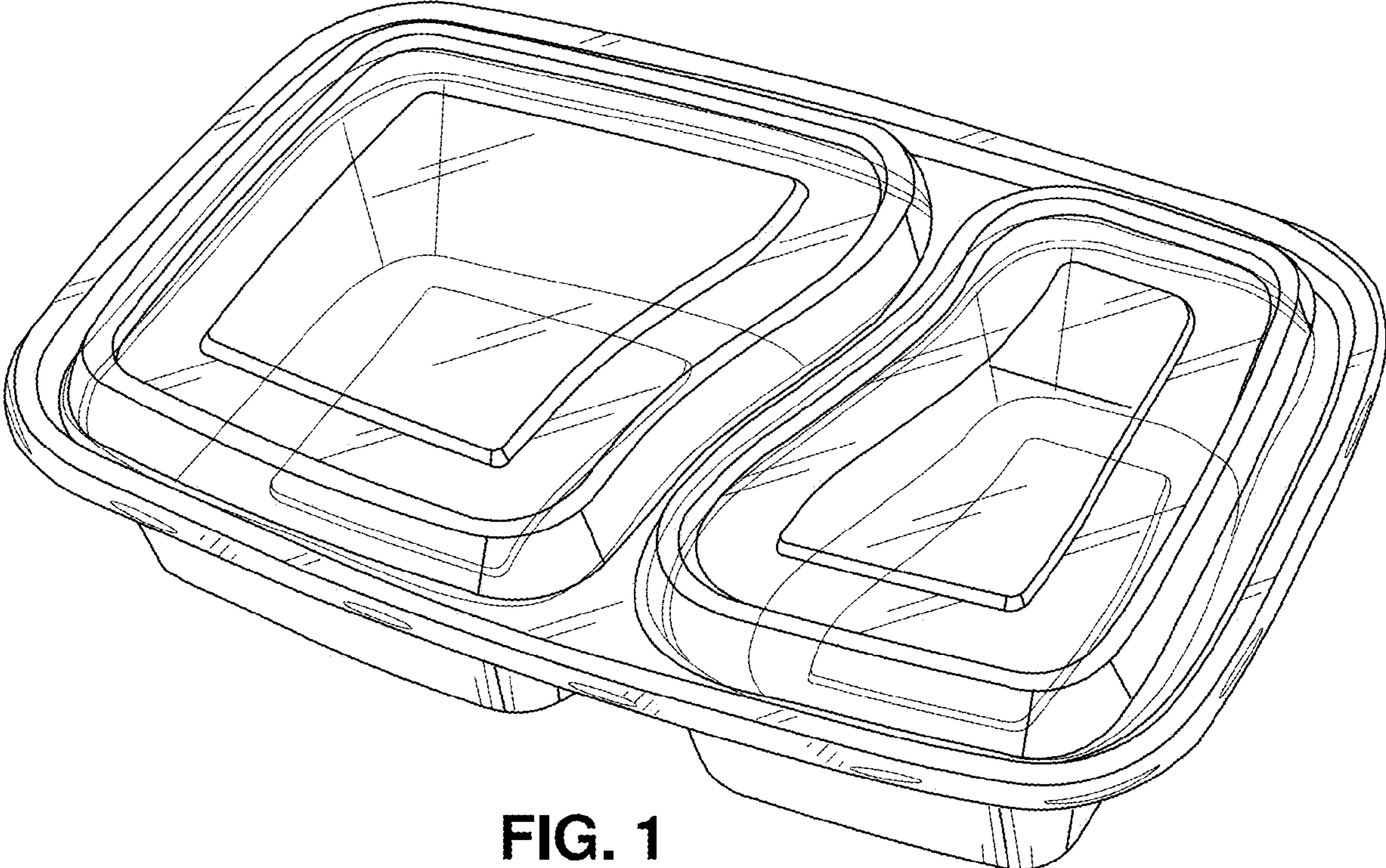


FIG. 1

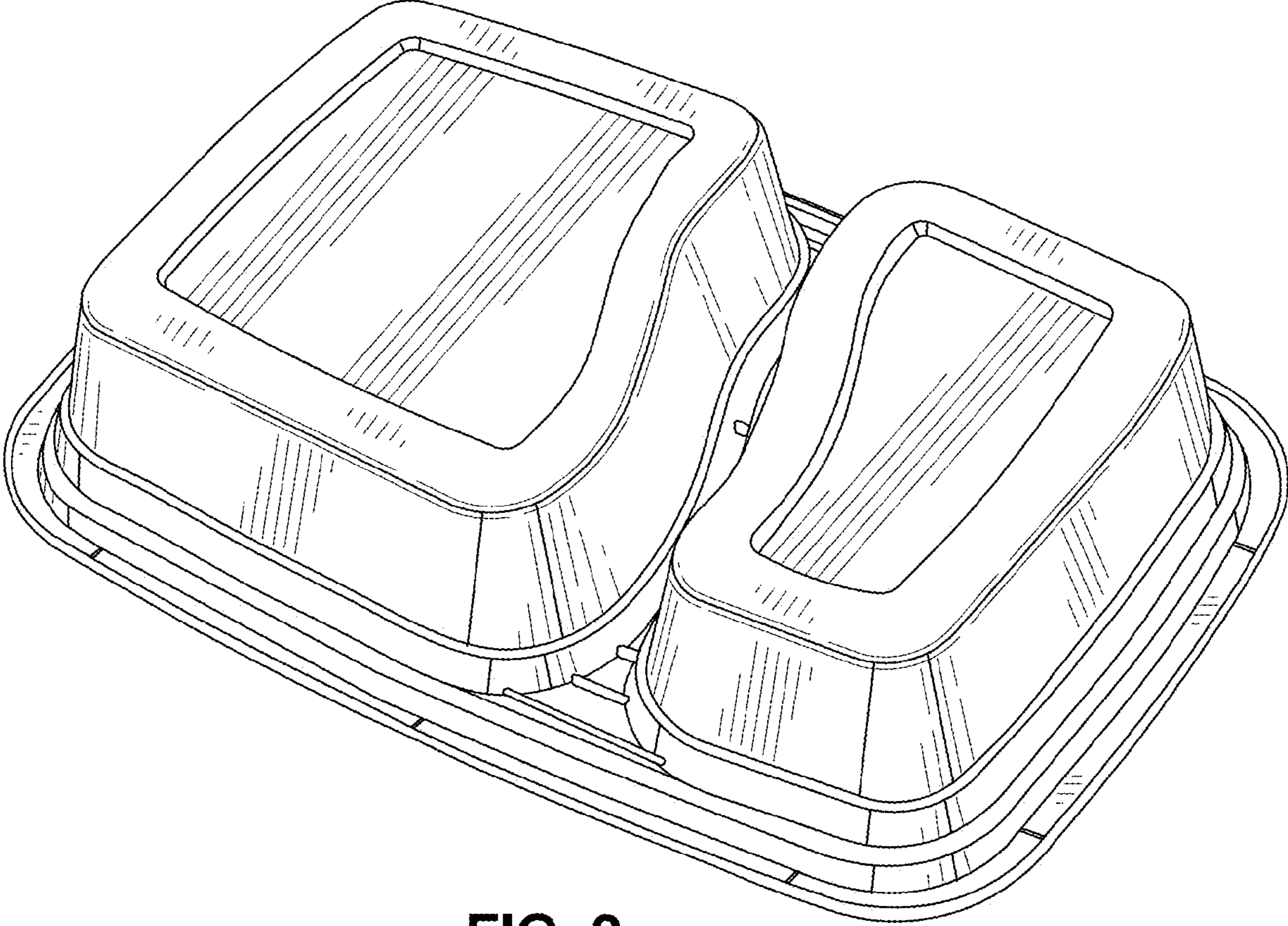
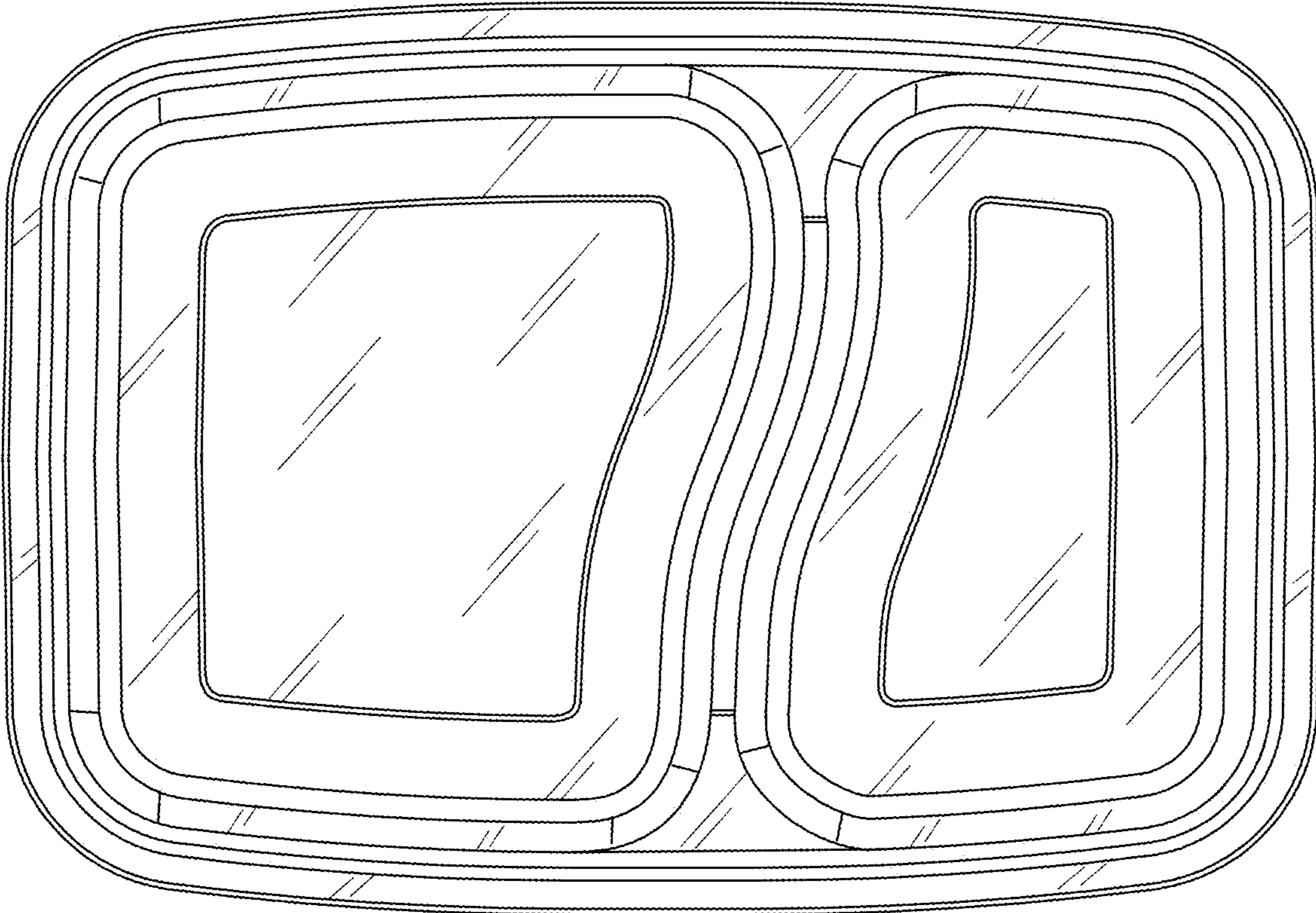
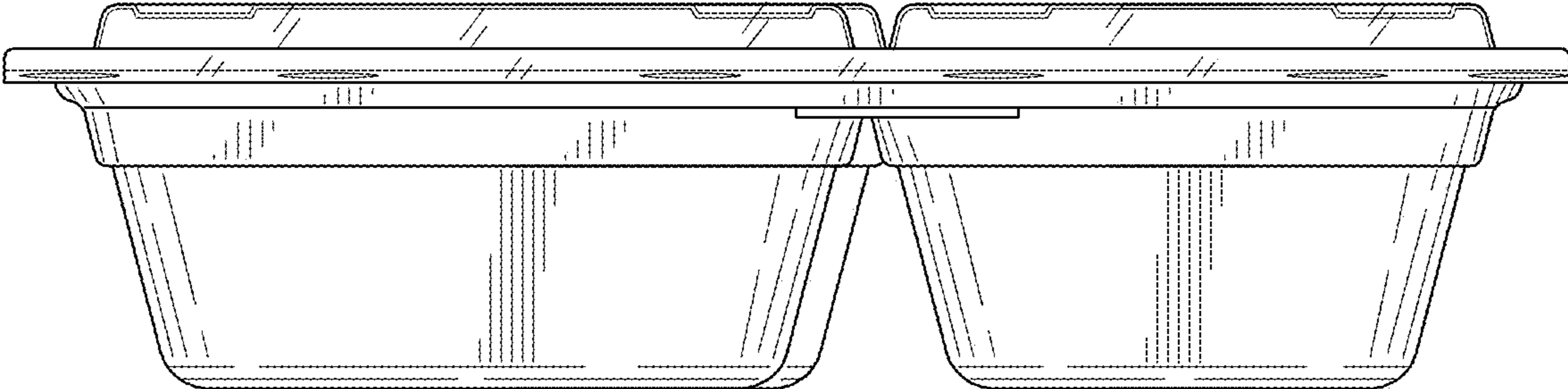


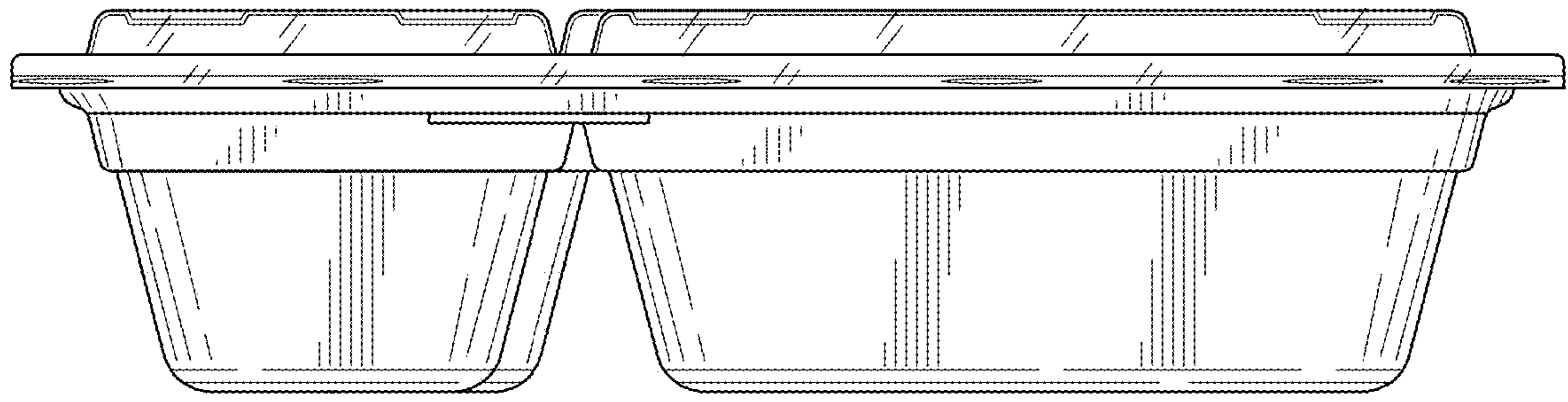
FIG. 2



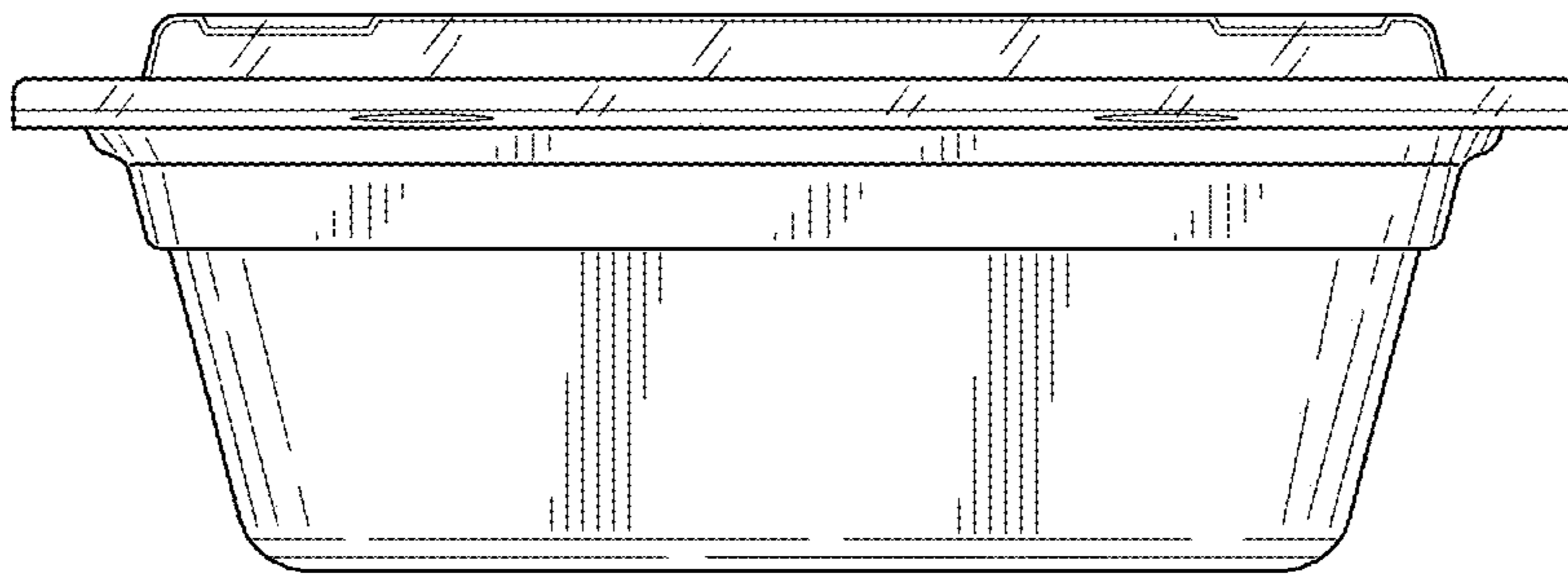
**FIG. 3**



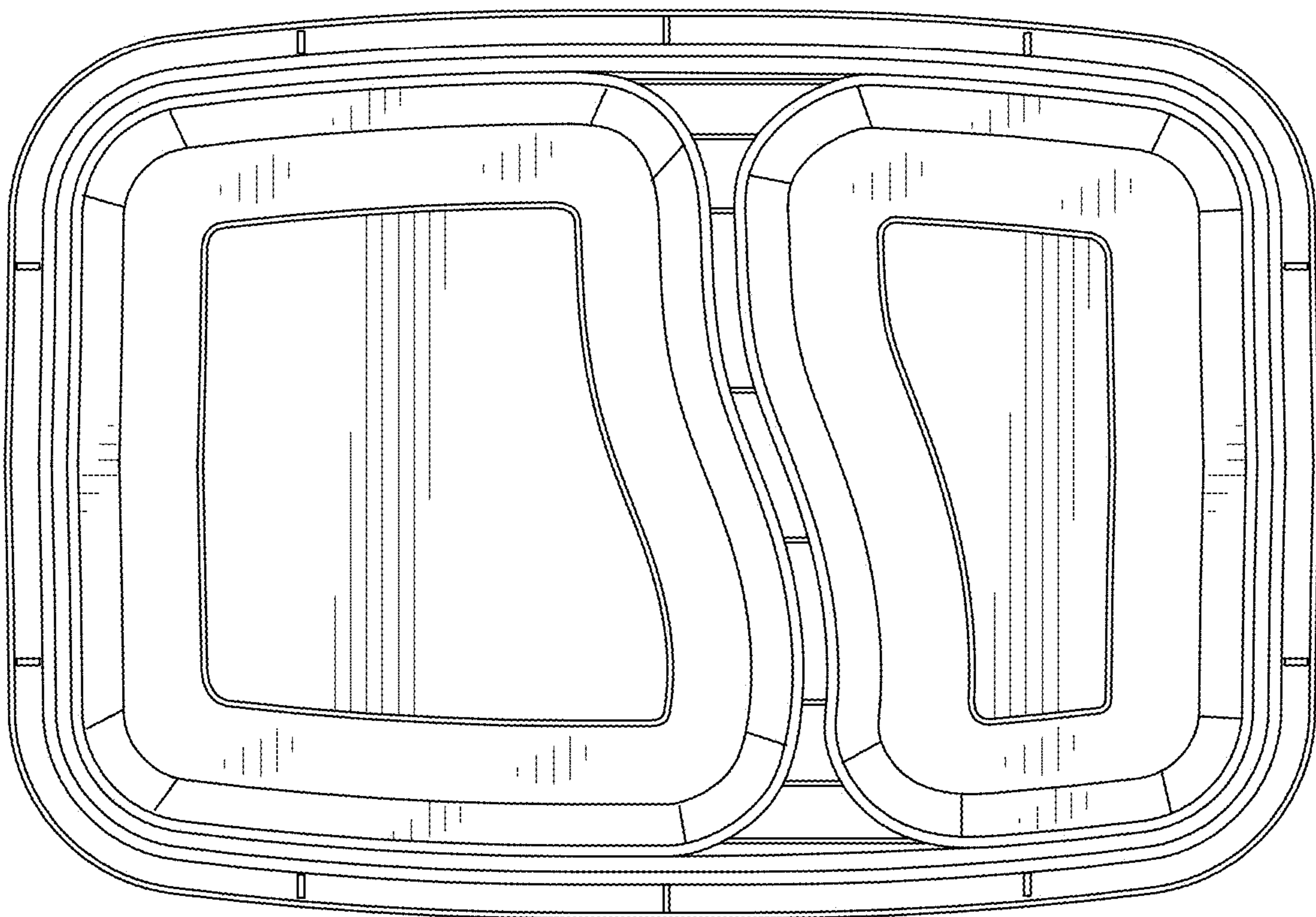
**FIG. 4**



**FIG. 5**



**FIG. 6**



**FIG. 7**