



US00D900638S

(12) **United States Design Patent** (10) **Patent No.:** **US D900,638 S**
Wettlaufer (45) **Date of Patent:** **** Nov. 3, 2020**

(54) **NACHO CONTAINER**

3,161,342 A * 12/1964 Wenzel B65D 71/72
206/562

(71) Applicant: **PCO GROUP GMBH**, Dassow (DE)

(Continued)

(72) Inventor: **Bernhard Wettlaufer**,
Garmisch-Partenkirchen (DE)

FOREIGN PATENT DOCUMENTS

(73) Assignee: **PCO GROUP GMBH**, Dassow (DE)

CA 179532 * 11/2018
DE 202005008003 9/2005

(**) Term: **15 Years**

(Continued)

(21) Appl. No.: **29/631,007**

OTHER PUBLICATIONS

(22) Filed: **Dec. 26, 2017**

PCO Nacho Box, 3 cups, available Jul. 7, 2020, [online], [site visited Jul. 17, 2020]. Available from internet, URL: <https://www.pco-group.com/our-products/nachos/nacho-trays/nachotrays/nachobox-3-cups.html> (Year: 2020).*

(51) **LOC (12) Cl.** **09-03**

(52) **U.S. Cl.**

USPC **D9/761**; D9/737; D9/432; D9/433

(58) **Field of Classification Search**

USPC D9/762, 757, 737, 761, 420-426, 432,
D9/418, 415, 501, 72, 739, 742, 753, 756,
D9/741, 721; D7/611, 550.1, 605, 701,
D7/553.1, 553.2, 614; D3/313, 304, 311,
D3/314, 315; D11/143, 155, 156;
D24/227; 206/139, 201-203, 427, 265,
206/504, 518, 519, 524.1, 557, 561, 564,
206/565, 703, 704, 705, 523, 586, 515,
206/521.1, 521.15, 521.3, 521.6, 521.8,
206/521.4, 521.9, 406; 220/4.26, 508;
229/406

CPC Y10S 229/904; B65D 71/72; B65D
2571/00925; B65D 5/5021; B65D 5/4802;
B65D 5/48018; B65D 5/08; B65D
5/3635; B65D 5/5007; B65D 5/5038;
B65D 5/5233; B65D 5/5286; B65D
5/6658

See application file for complete search history.

Primary Examiner — W. A. Teddy Falloway

(74) *Attorney, Agent, or Firm* — Lempia Summerfield
Katz LLC

(57) **CLAIM**

The ornamental design for a nacho container, as shown and described.

DESCRIPTION

FIG. 1 is a top, rear, and left side perspective view of my new design for a nacho container.

FIG. 2 is a left side view of the nacho container of FIG. 1, the right side view of the nacho container being a mirror image thereof.

FIG. 3 is a front view of the nacho container of FIG. 1.

FIG. 4 is a rear view of the nacho container of FIG. 1; and, FIG. 5 is a top, front, and right side view of the nacho container of FIG. 1.

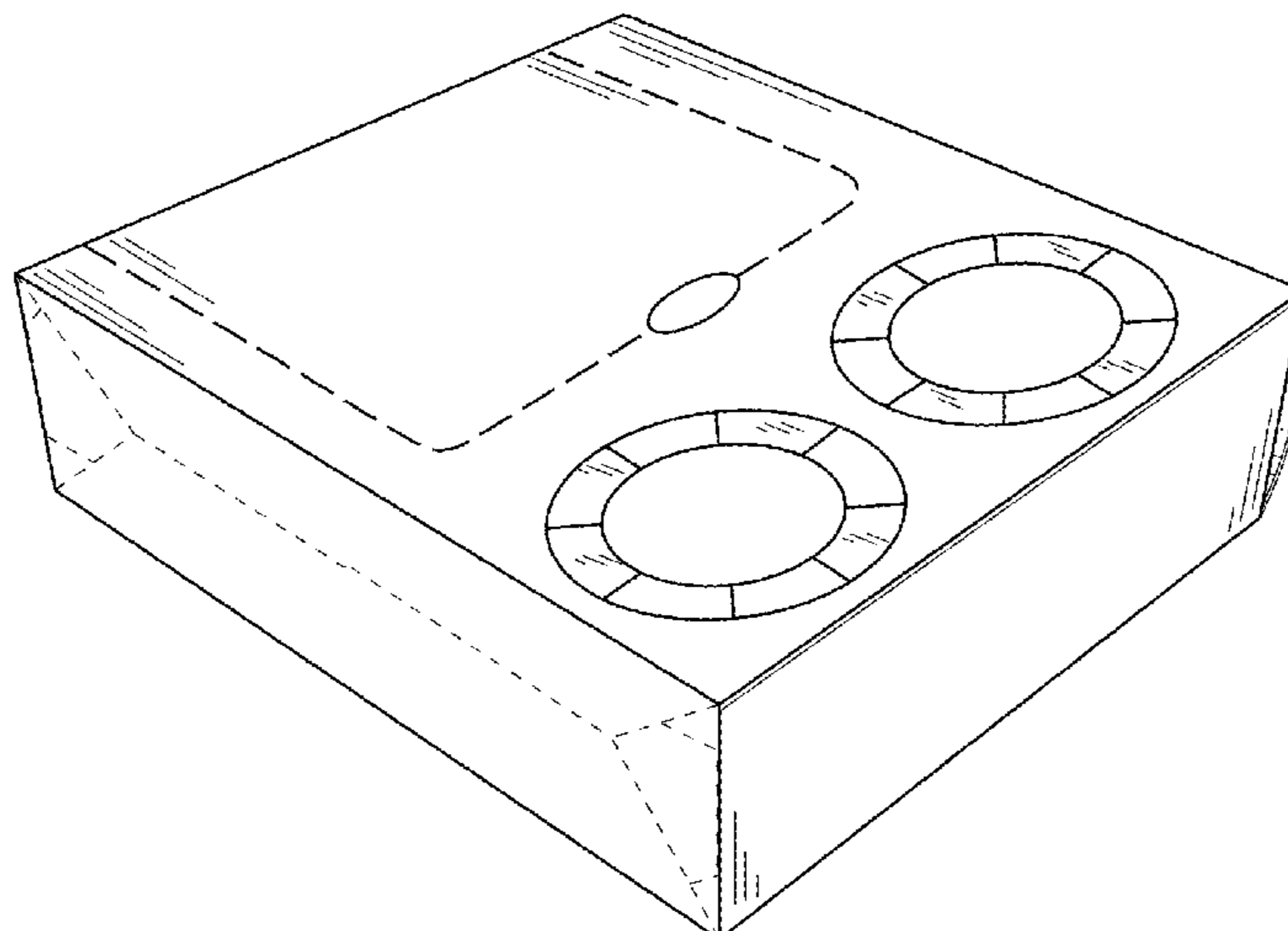
The broken lines shown on top of the nacho container in FIGS. 1 and 5 depict perforations, which form part of the claimed design. The broken lines shown on the rear of the nacho container in FIGS. 1 and 4 depict portions of the nacho container that form no part of the claimed design.

(56) **References Cited**

U.S. PATENT DOCUMENTS

2,670,124 A * 2/1954 Buchmiller B65D 71/72
206/563
2,924,372 A * 2/1960 Kirkeby B65D 5/48018
206/563

1 Claim, 3 Drawing Sheets



(56)

References Cited

U.S. PATENT DOCUMENTS

3,326,446 A * 6/1967 Goings A47B 31/06
206/563
3,400,875 A * 9/1968 Coe B65D 71/72
206/563
3,434,649 A * 3/1969 Goings B65D 71/72
206/561
3,434,650 A * 3/1969 Goings B65D 71/72
206/563
3,730,419 A * 5/1973 Botterman B65D 5/4802
206/563
3,899,119 A * 8/1975 Roccaforte B65D 5/5021
206/562
4,757,937 A * 7/1988 Maio B65D 5/3635
206/562
5,205,474 A * 4/1993 Stuart B65D 5/5021
206/562
6,213,389 B1 * 4/2001 Cai B65D 5/08
229/120.08
6,568,586 B1 * 5/2003 VanEsley B65D 5/2004
206/562
7,004,314 B2 * 2/2006 Pucillo B65D 5/2057
206/217

7,007,837 B2 * 3/2006 Correll B65D 5/5021
229/120.05
7,008,656 B2 * 3/2006 Zimmerman, Jr. A47J 36/28
206/217
7,293,695 B2 * 11/2007 Stier B65D 5/10
206/564
7,317,573 B2 * 1/2008 Billen G02B 27/04
359/474
D568,765 S * 5/2008 Miles D9/737
7,484,653 B2 * 2/2009 Hurtado B65D 71/72
229/120.14
7,533,774 B2 * 5/2009 Zimmerman A45C 11/24
206/387.14
7,631,800 B2 * 12/2009 Cai B65D 5/5021
229/114
7,757,860 B2 * 7/2010 Philips B65D 75/38
206/562
7,980,454 B2 * 7/2011 Burton B65D 5/5021
229/120.18

FOREIGN PATENT DOCUMENTS

DE 202012000617 4/2012
TR 094619-0001 * 4/2017
WO D094619-001 * 4/2017

* cited by examiner

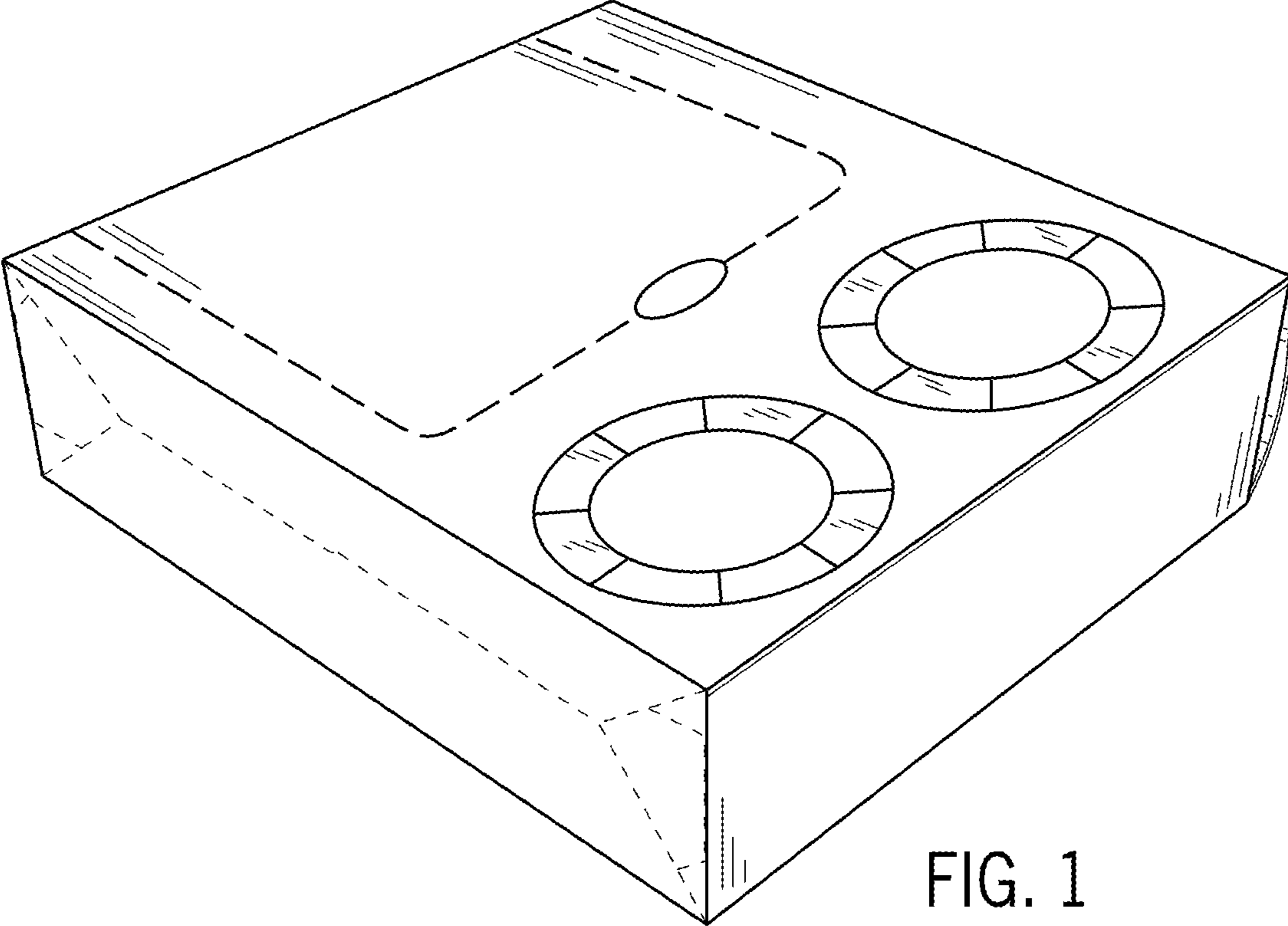


FIG. 1

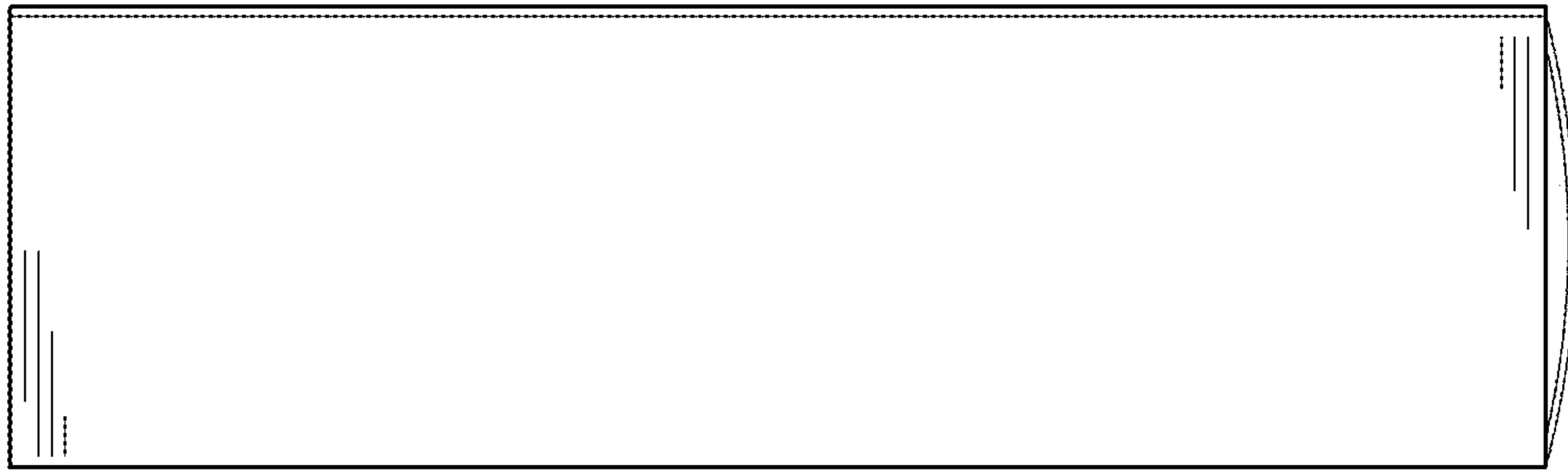


FIG. 2



FIG. 3

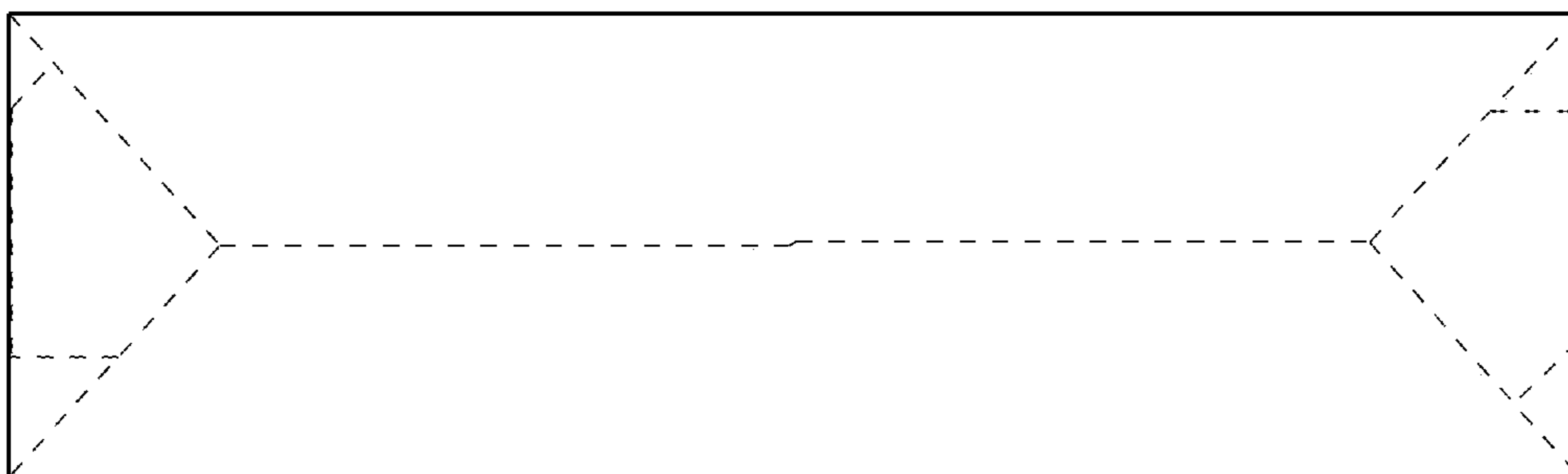


FIG. 4

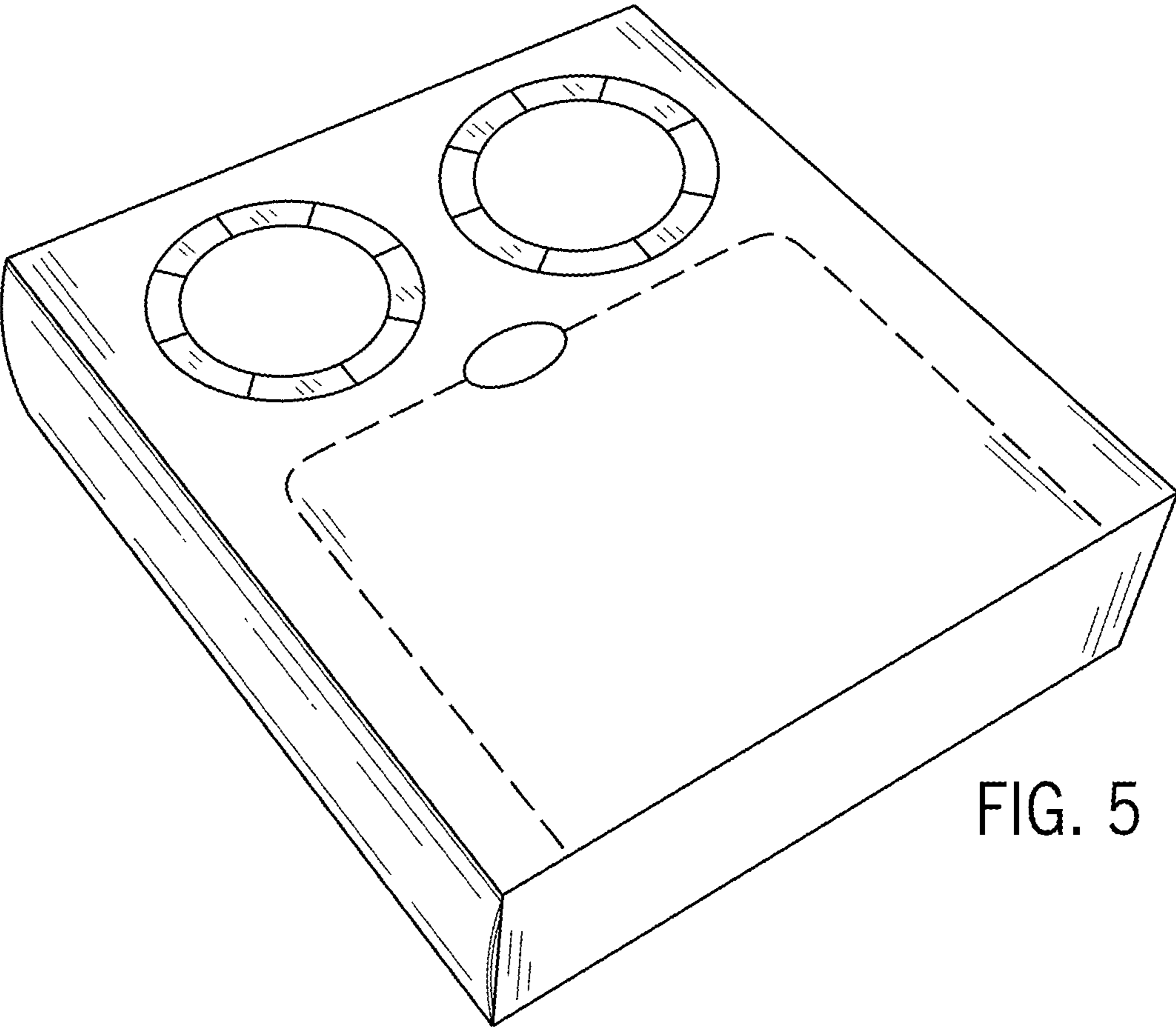


FIG. 5