



US00D900631S

(12) **United States Design Patent** (10) **Patent No.:** **US D900,631 S**
Wang (45) **Date of Patent:** **** Nov. 3, 2020**

(54) **DRAW TAPE BAG**

B65D 27/00; B65D 27/04; B65D 77/00;
B65D 77/003; B65D 77/02; B65D 77/10;
B65D 29/00; B65D 29/04

(71) Applicant: **Shang Hai Hua Yue Packaging Product CO., LTD.**, Shanghai (CN)

See application file for complete search history.

(72) Inventor: **Wenhua Wang**, Shanghai (CN)

(56) **References Cited**

(73) Assignee: **SHANGHAI HUAYUE PACKAGING PRODUCT CO., LTD.**, Shanghai (CN)

U.S. PATENT DOCUMENTS

(**) Term: **15 Years**

5,006,380 A * 4/1991 Fraser B32B 27/32
428/35.2
D727,746 S * 4/2015 Hoying D9/703
D801,192 S * 10/2017 Yen D9/706

(21) Appl. No.: **29/697,266**

* cited by examiner

(22) Filed: **Jul. 5, 2019**

Primary Examiner — Abraham Bahta

(30) **Foreign Application Priority Data**

Jun. 26, 2019 (CN) 2019 3 0333645

(51) **LOC (12) Cl.** **09-05**

(52) **U.S. Cl.**
USPC **D9/706**

(57) **CLAIM**

The ornamental design for a draw tape bag, as shown and described.

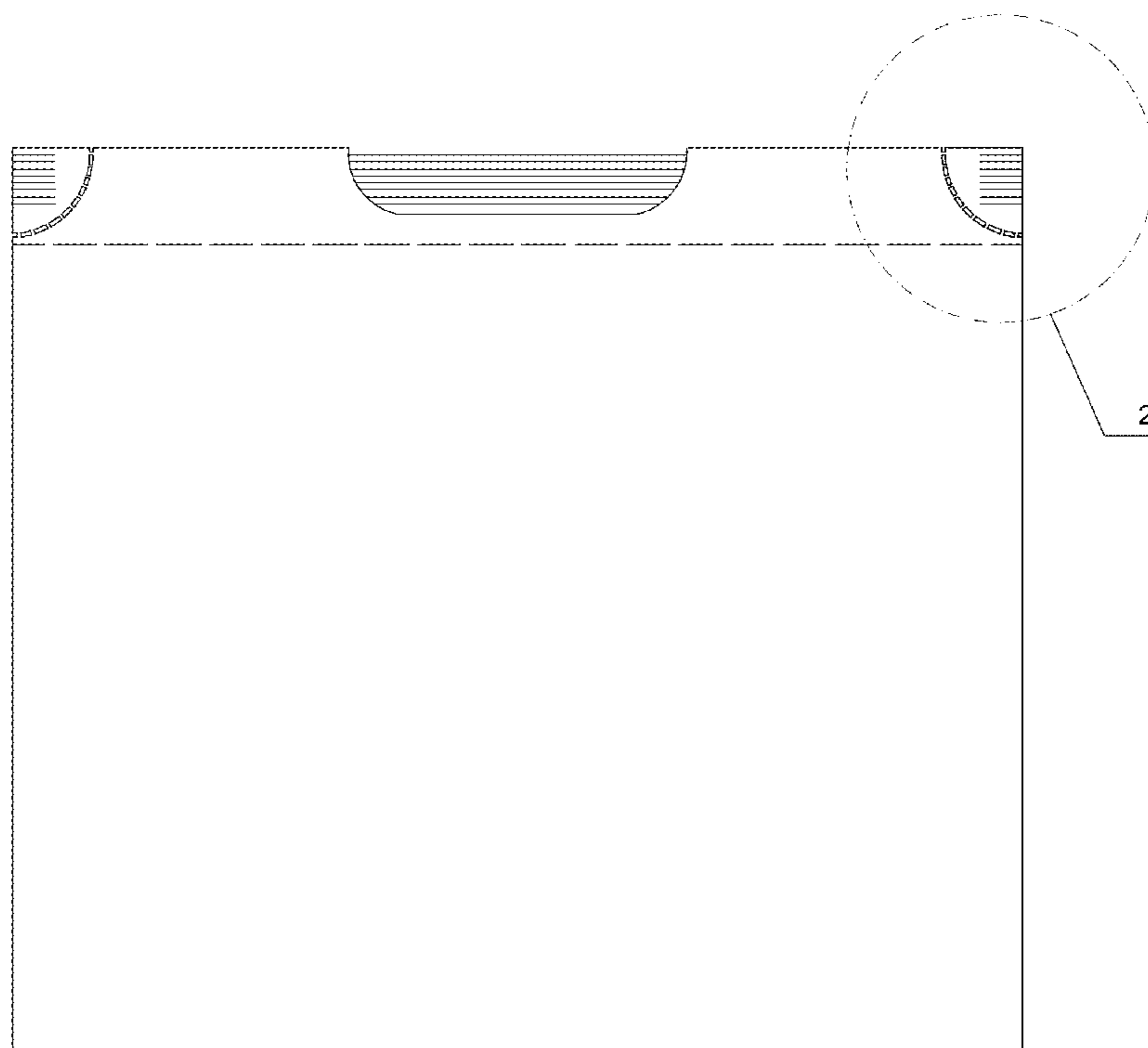
(58) **Field of Classification Search**

USPC D9/702-714, 720-722, 424, 430-433,
D9/414, 418, 444; 383/26, 119, 127, 33,
383/71-75, 103; 229/87.06, 87.08, 87.01,
229/92.1; 222/92, 107, 215; 220/495.03,
220/495.01; D3/303, 201; 428/35.2, 79,
428/199, 542.6; 434/162; 402/79;
D5/57-61, 99; 281/2, 3.1, 5, 38, 51;
283/117, 62, 74, 93, 103, 115;
D19/1-10, 100
CPC B65D 75/00; B65D 75/002; B65D 75/008;
B65D 75/28; B65D 75/322; B65D 33/02;
B65D 33/008; B65D 33/04; B65D 33/24;

DESCRIPTION

FIG. 1 is a front view of the draw tape bag showing my new design, the rear view being a mirror image thereof; and, FIG. 2 is an enlarged view of a portion 2 in FIG. 1. The curved broken lines at top corner of the front view illustrate tear lines and are part of the claimed design. The horizontal broken line at the top of the front view illustrates a stitch and is part of the claimed design. The dot-dash broken line encircles the portion of the claimed design in FIG. 1 which is illustrated in enlarged view in FIG. 2, and forms no part of the claimed design. The draw tape has no appreciable thickness.

1 Claim, 2 Drawing Sheets



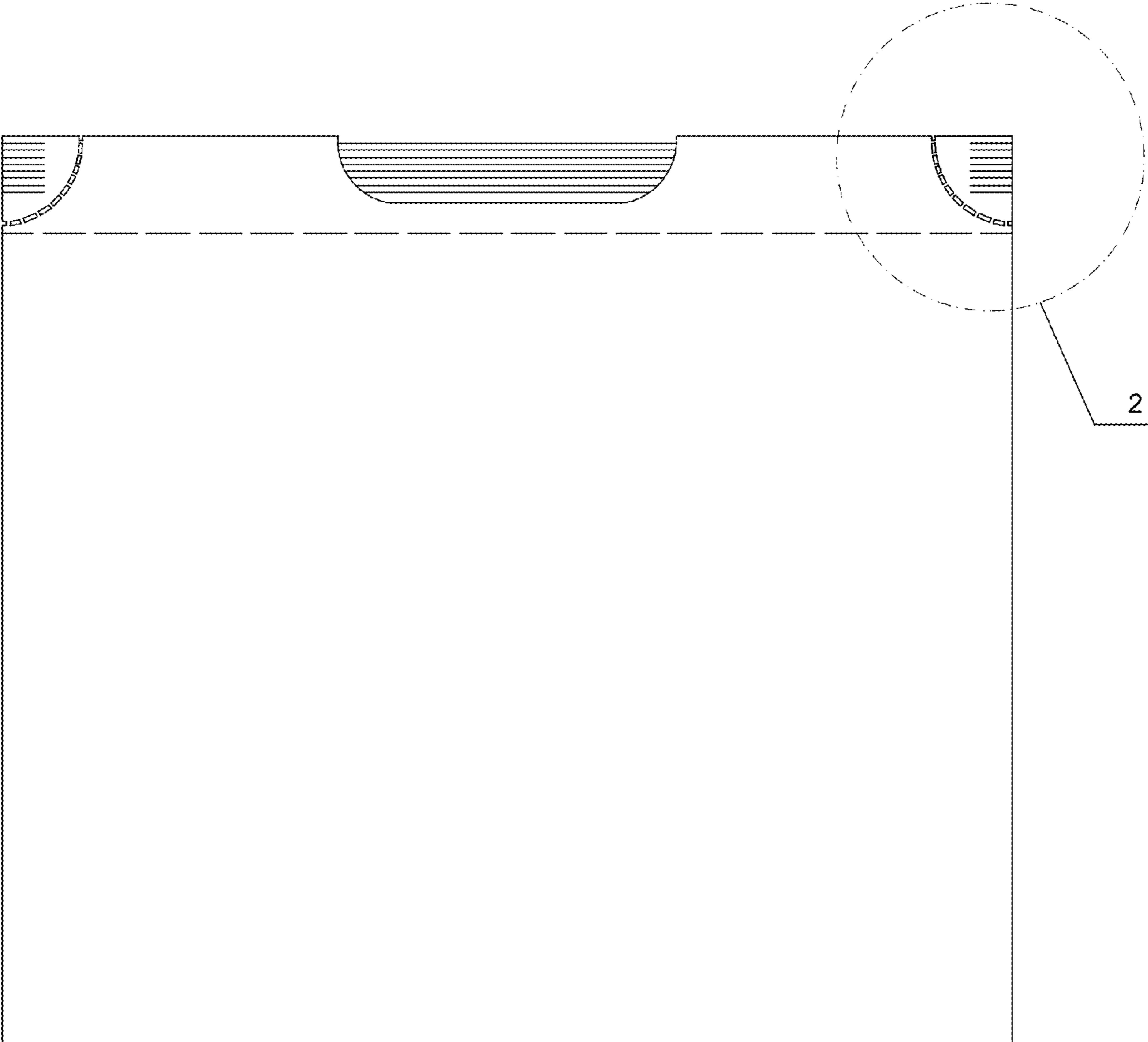


Fig. 1

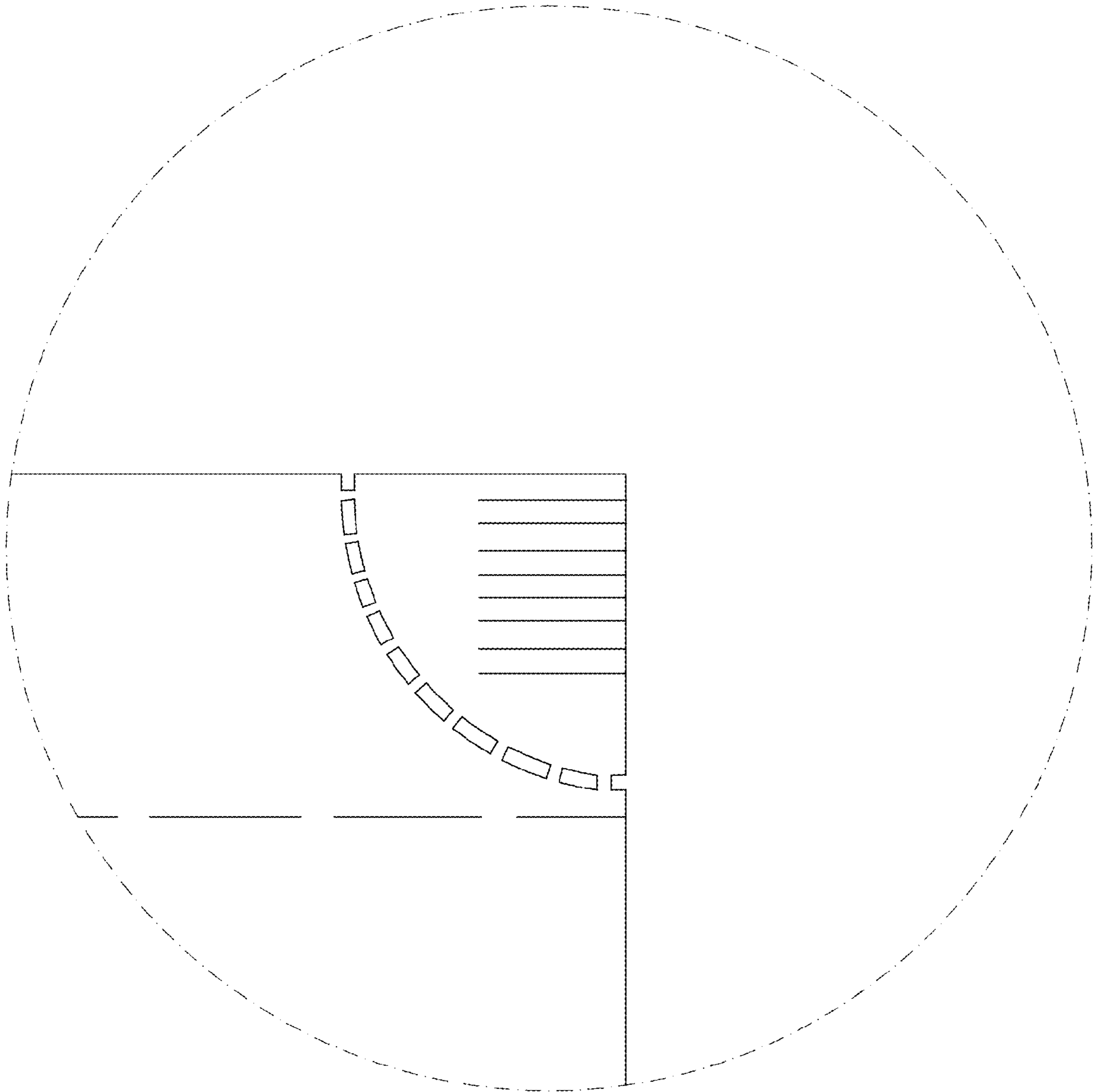


Fig. 2