



US00D900618S

(12) **United States Design Patent**  
**Chen**

(10) **Patent No.:** **US D900,618 S**

(45) **Date of Patent:** **\*\* Nov. 3, 2020**

(54) **BOTTLE**

(71) Applicant: **TAIWAN FIRST BIOTECHNOLOGY CORP.**, Chaiyi (TW)

(72) Inventor: **Kwan-Han Chen**, Chaiyi (TW)

(73) Assignee: **Taiwan First Biotechnology Corp.**, Chaiyi (TW)

(\*\*) Term: **15 Years**

(21) Appl. No.: **29/692,415**

(22) Filed: **May 24, 2019**

(51) **LOC (12) Cl.** ..... **09-01**

(52) **U.S. Cl.**  
USPC ..... **D9/570; D9/574**

(58) **Field of Classification Search**  
USPC ..... D9/516, 519, 520, 530, 537, 538, 539, D9/540, 545, 546, 560, 570, 574, 575, D9/715, 719; D7/300, 300.1, 509, 523, D7/525, 528, 529, 532, 619.1  
CPC ..... B65D 1/0223; B65D 2501/0036; B65D 1/023; B65D 1/40; B65D 23/102  
See application file for complete search history.

(56) **References Cited**

**U.S. PATENT DOCUMENTS**

D268,324 S \* 3/1983 Gautier ..... D9/560  
D275,267 S \* 8/1984 Gautier ..... D9/560

D463,292 S \* 9/2002 Del Bianco ..... D9/560  
D558,584 S \* 1/2008 Blank ..... D9/560  
D601,906 S \* 10/2009 Leruste ..... D9/560  
D739,759 S \* 9/2015 Warner ..... D9/560  
D779,335 S \* 2/2017 Chia ..... D9/560  
D779,953 S \* 2/2017 Ring ..... D9/560  
D779,954 S \* 2/2017 Ring ..... D9/560  
D826,062 S \* 8/2018 Daley ..... D9/560  
D829,559 S \* 10/2018 Binbuga ..... D9/560  
D830,187 S \* 10/2018 Oesch, Jr. .... D9/560  
D831,493 S \* 10/2018 Daley ..... D9/560

\* cited by examiner

*Primary Examiner* — Shannon W Morgan

*Assistant Examiner* — Keith Frank

(74) *Attorney, Agent, or Firm* — Rosenberg, Klein & Lee

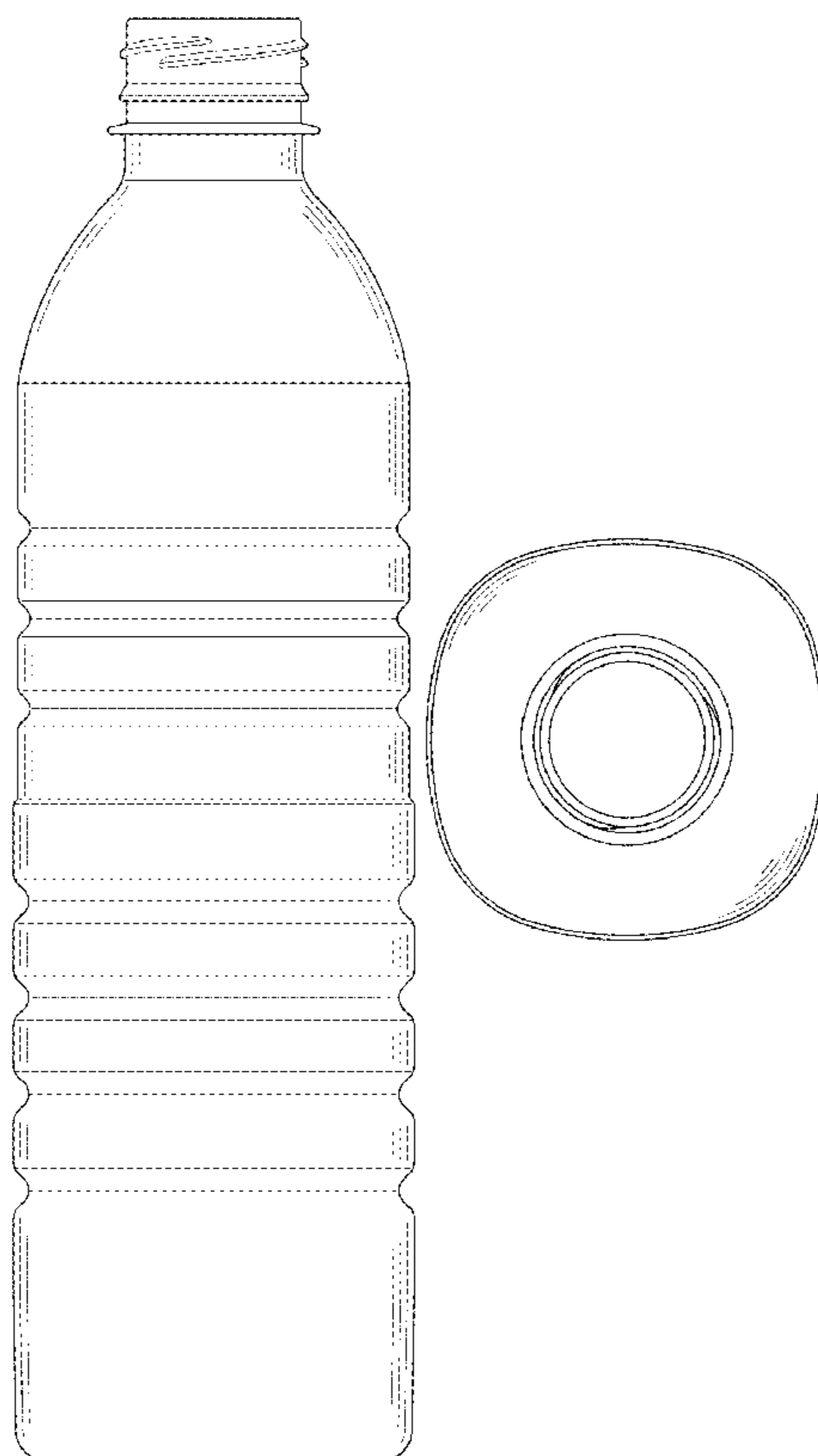
(57) **CLAIM**

The ornamental design for a bottle, as shown and described.

**DESCRIPTION**

FIG. 1 is a perspective view of a bottle showing our my new design;  
FIG. 2 is a front elevational view thereof;  
FIG. 3 is a rear elevational view thereof;  
FIG. 4 is a left side elevational view thereof;  
FIG. 5 is a right side elevational view thereof;  
FIG. 6 is a top plan view thereof; and,  
FIG. 7 is a bottom plan view thereof.  
The broken line in the drawings showing of the bottle illustrate the portions of the bottle that form no part of the claimed design.

**1 Claim, 7 Drawing Sheets**



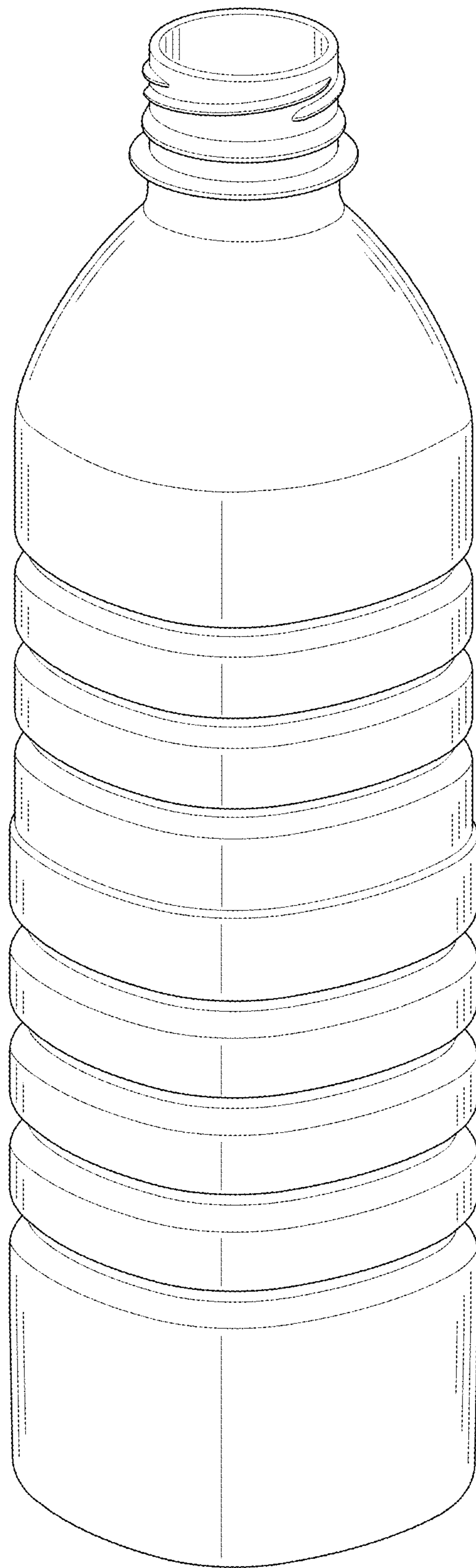


FIG. 1

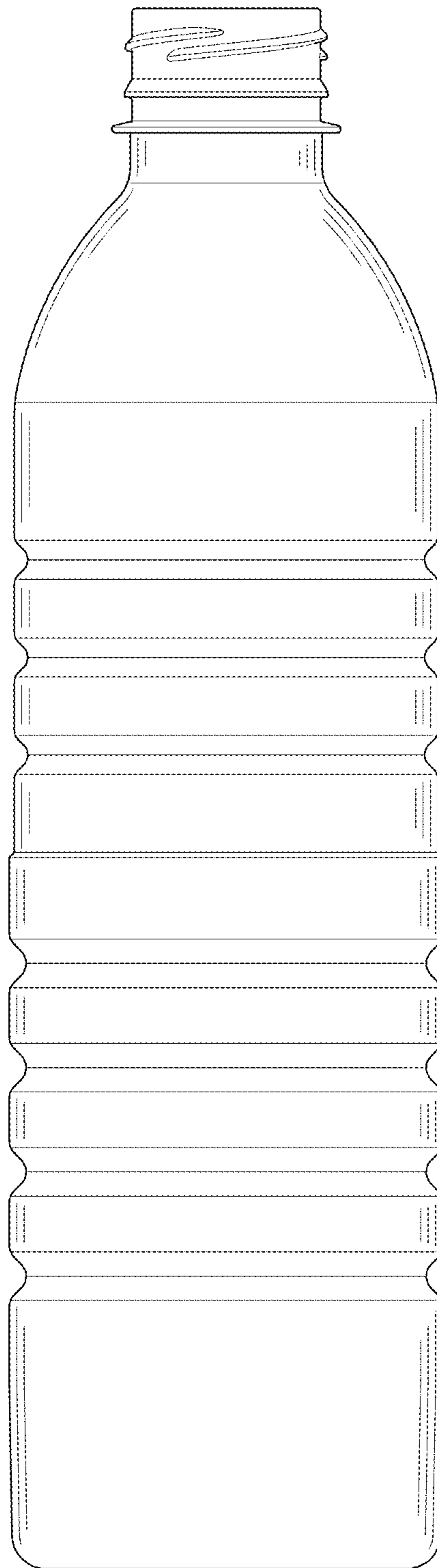


FIG. 2

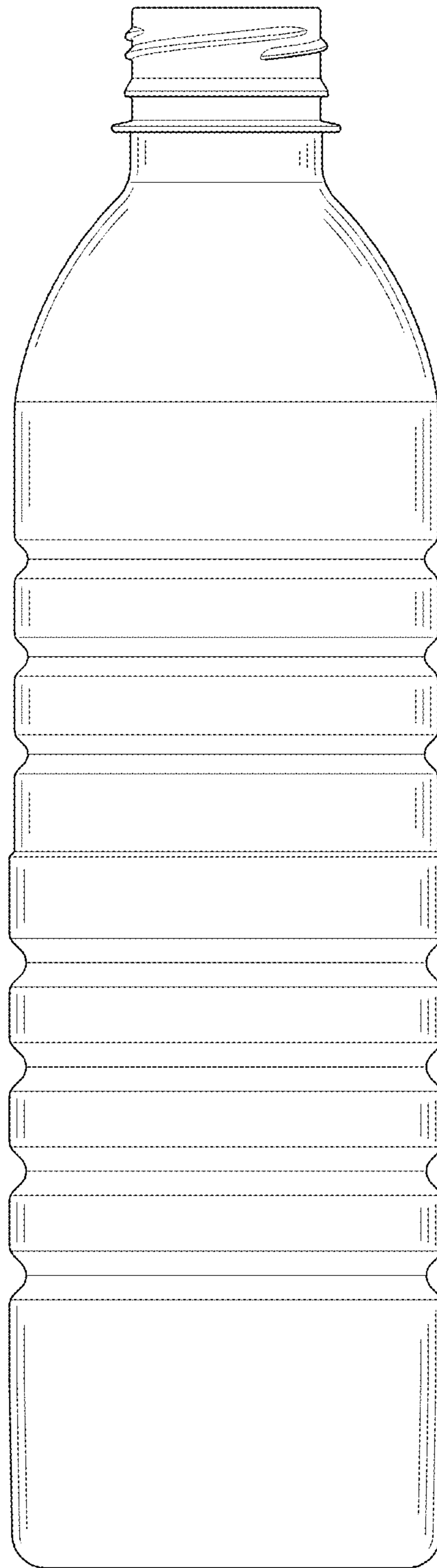


FIG. 3

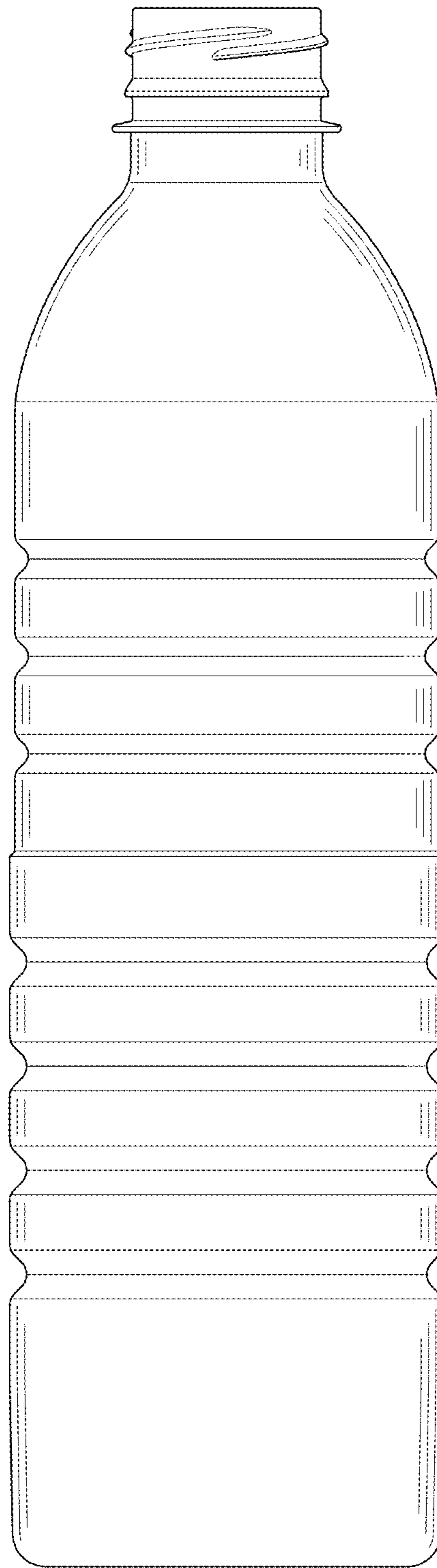


FIG. 4

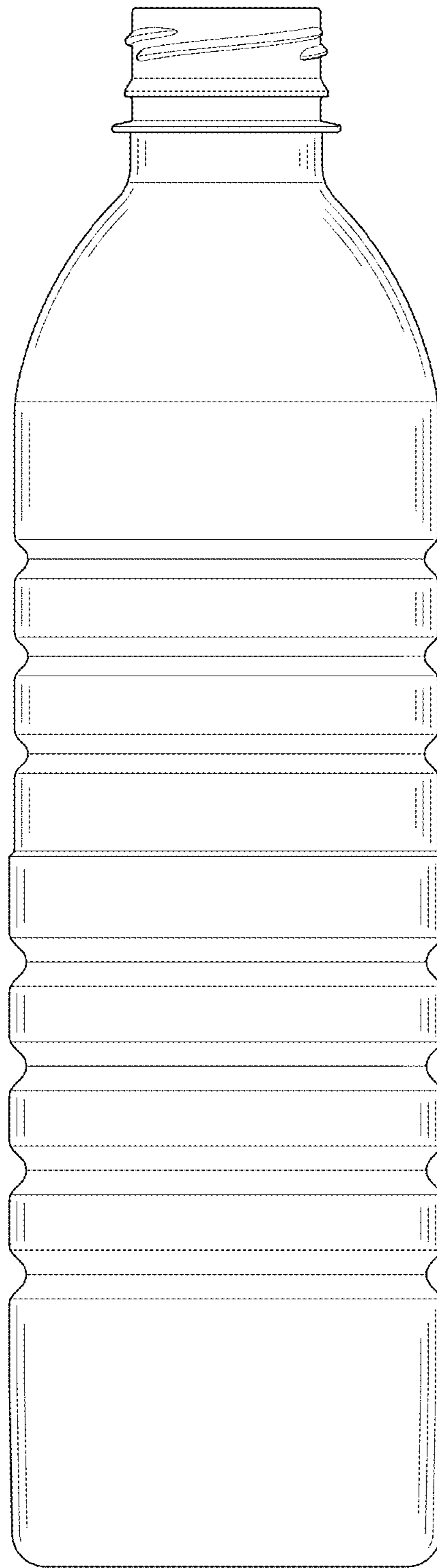


FIG. 5

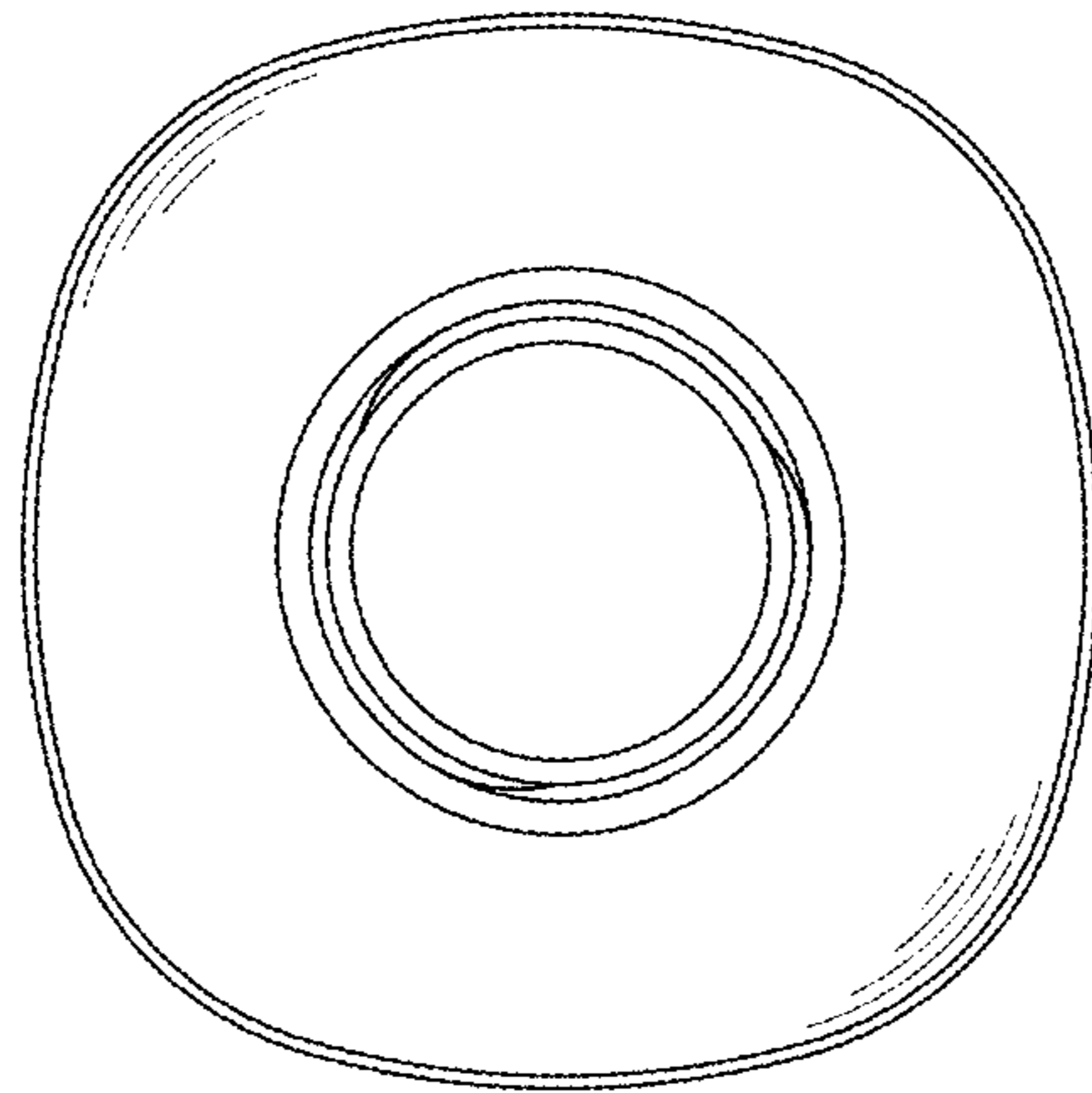


FIG. 6

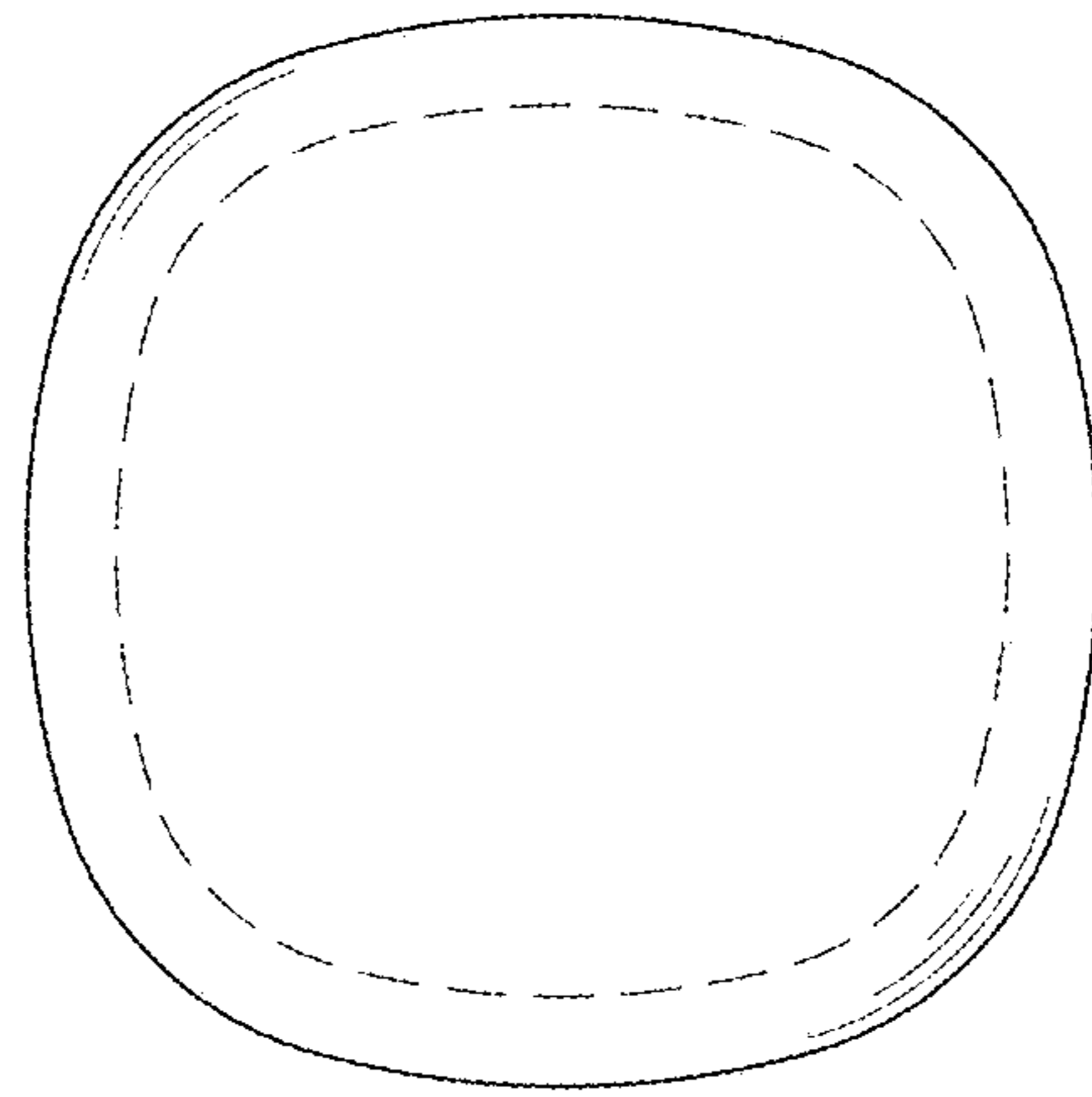


FIG. 7