



US00D900614S

(12) **United States Design Patent** (10) **Patent No.:** **US D900,614 S**
Lee et al. (45) **Date of Patent:** **** Nov. 3, 2020**

(54) **BEER GROWLER**

(56) **References Cited**

(71) Applicant: **LG ELECTRONICS INC.**, Seoul (KR)

U.S. PATENT DOCUMENTS

(72) Inventors: **Hophil Lee**, Seoul (KR); **Daekee Shin**, Seoul (KR)

D510,872 S * 10/2005 Mount B65D 45/24 D9/531

(73) Assignee: **LG ELECTRONICS INC.**, Seoul (KR)

D643,300 S * 8/2011 Beckerman B65D 11/04 D9/536

(**) Term: **15 Years**

D762,119 S * 7/2016 Thibodeau D9/516

(21) Appl. No.: **35/506,696**

D790,968 S * 7/2017 Thompson D9/500

(22) Filed: **Nov. 2, 2018**

D808,272 S * 1/2018 Thompson D9/536

(80) **Hague Agreement Data**

Int. Filing Date: **Nov. 2, 2018**

Int. Reg. No.: **DM/200504**

Int. Reg. Date: **Nov. 2, 2018**

Int. Reg. Pub. Date: **May 3, 2019**

D878,921 S * 3/2020 Del Bon D9/536

2015/0102004 A1 * 4/2015 Kelly B65D 1/0223 215/44

2017/0101209 A1 * 4/2017 Viedt B65D 11/04

2019/0241323 A1 * 8/2019 Walsak B65D 45/24

* cited by examiner

Primary Examiner — Keli L Hill

(74) *Attorney, Agent, or Firm* — Birch, Stewart, Kolasch & Birch, LLP

(57) **CLAIM**

The ornamental design for a beer growler, as shown and described.

(51) **LOC (12) Cl.** **09-01**

(52) **U.S. Cl.**

USPC **D9/531; D9/536**

(58) **Field of Classification Search**

USPC D9/516, 530, 531, 536, 549, 575

CPC B21D 51/26; B21D 51/383; B29C 66/71;

B65D 1/00; B65D 1/02; B65D 1/12;

B65D 1/14; B65D 1/40; B65D 1/44;

B65D 1/023; B65D 1/0223; B65D 1/165;

B65D 1/238; B65D 1/246; B65D 1/253;

B65D 7/04; B65D 21/0209; B65D

21/0233; B65D 25/00; B65D 25/28;

B65D 41/0457; B65D 41/17; B65D

53/06; B65D 75/56; B65D 79/005; B65D

2501/0036; B65D 2543/00064; B65D

2543/00074; B65D 2543/00083; B65D

2543/00092; B65D 2543/00101; B65D

2543/00111; Y10T 29/49826

See application file for complete search history.

DESCRIPTION

1. Beer growler

1.1 is a front perspective view of the beer growler.

1.2 is a front view thereof where the back view is a mirror image.

1.3 is a left view thereof.

1.4 is a right view thereof.

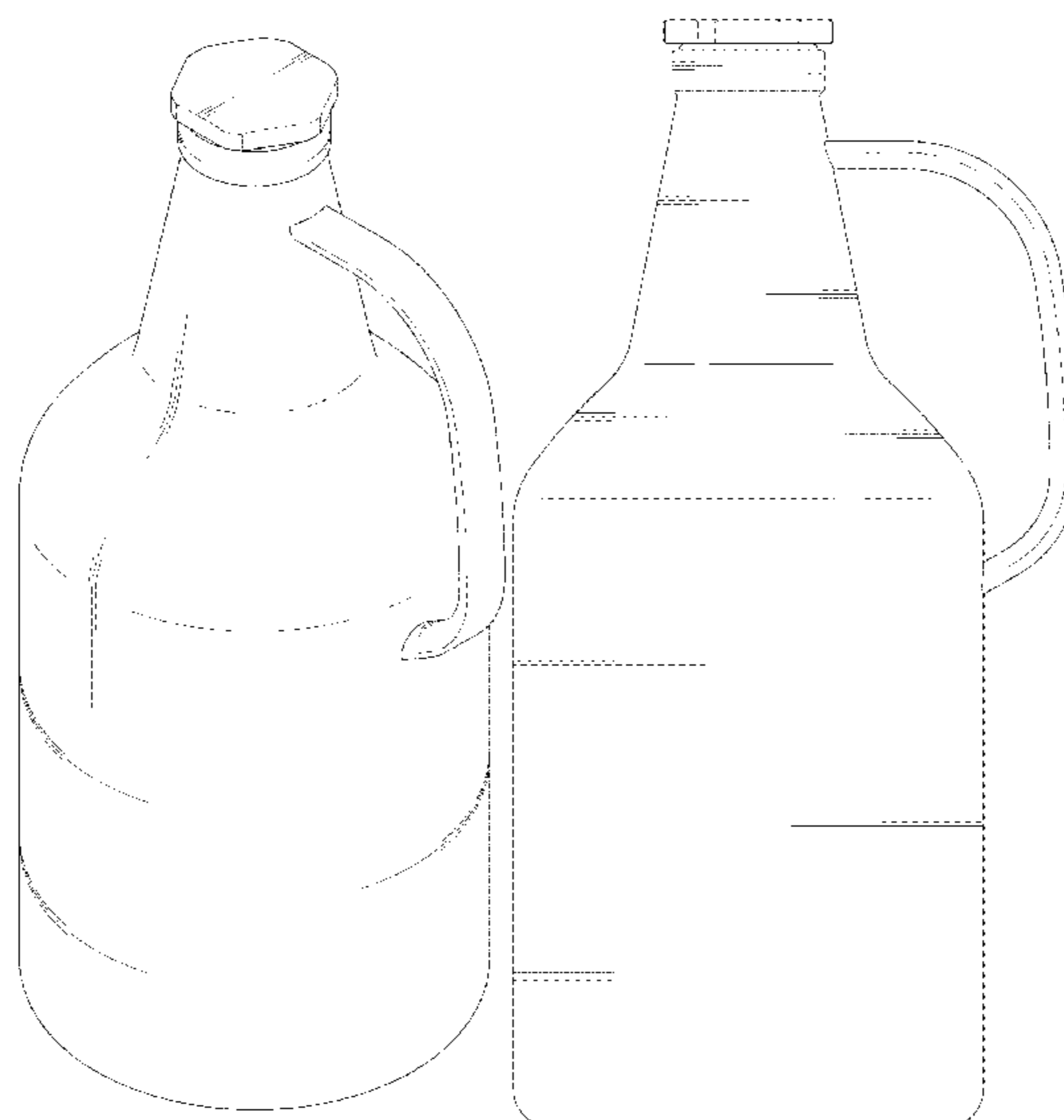
1.5 is a top view thereof.

1.6 is a bottom view thereof.

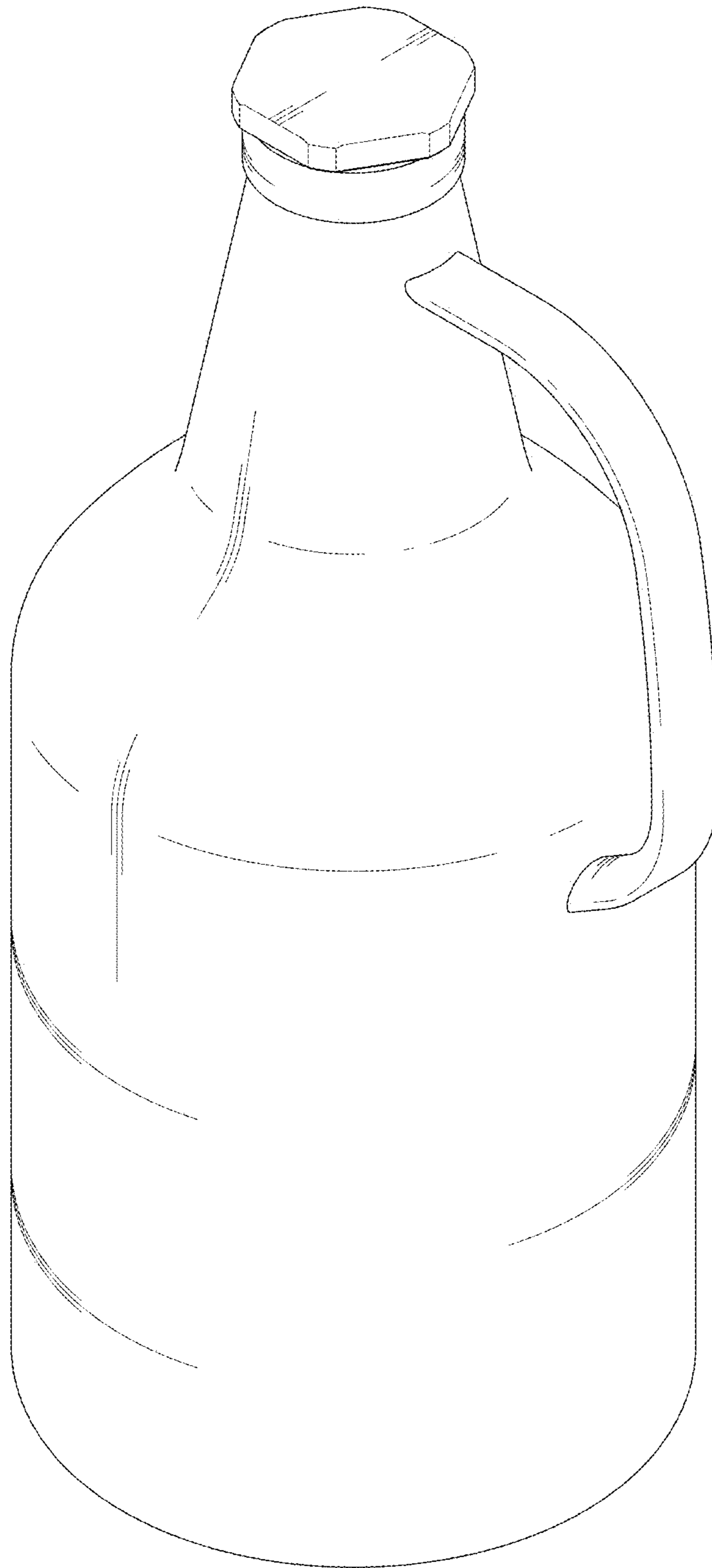
The fine lines on the drawings indicate the flat surface or curved surface; this is a design for a beer growler made of synthetic resin and metal.

The dash-dot broken line in 1.6 defines the bounds of the claimed design and forms no part thereof.

1 Claim, 6 Drawing Sheets



1. 1



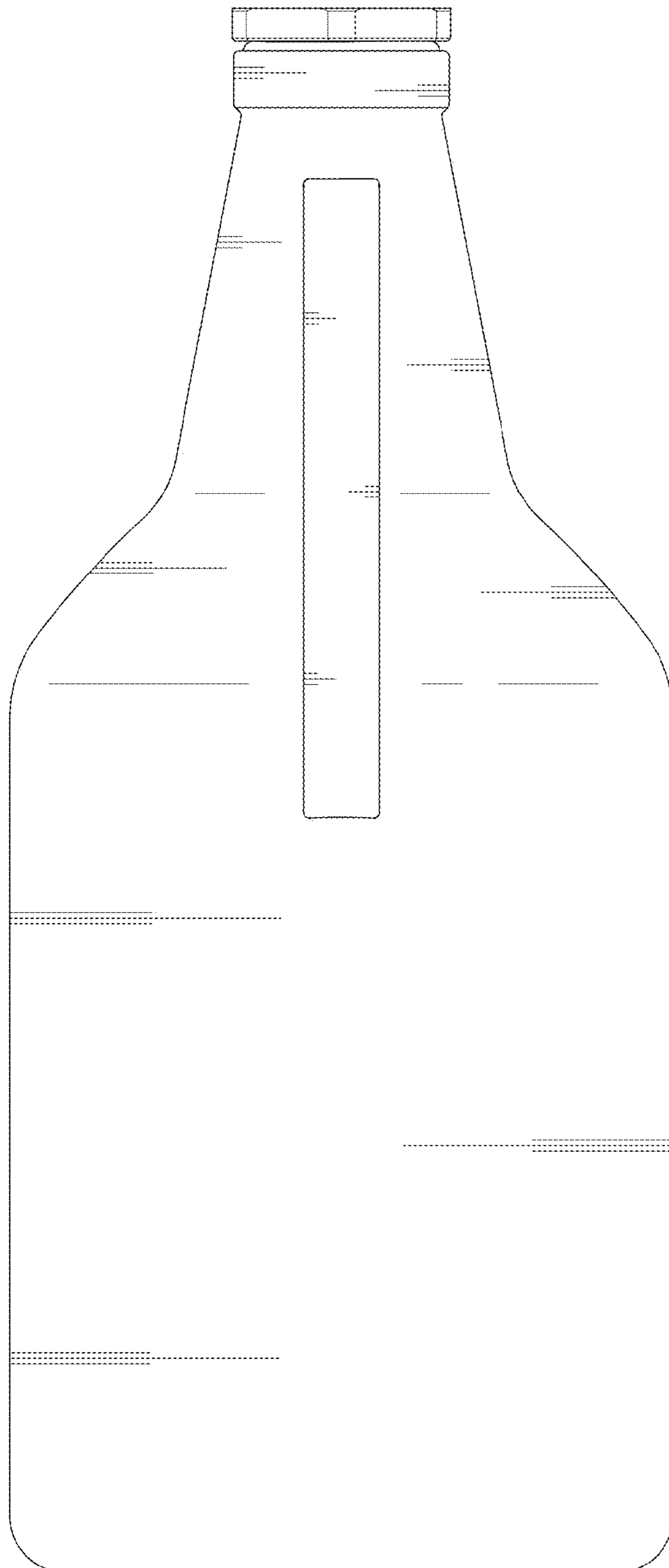
1. 2



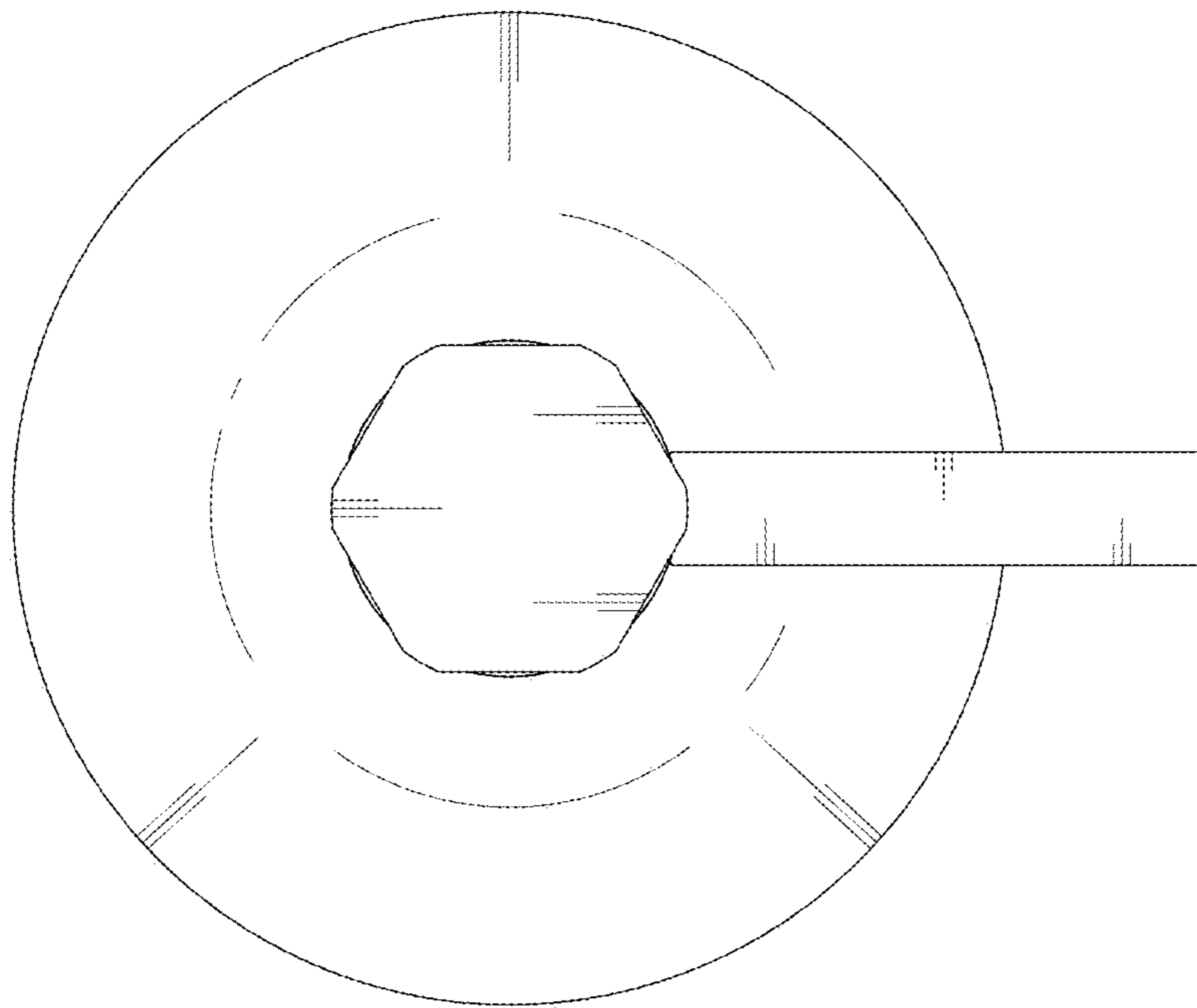
1. 3



1. 4



1. 5



1. 6

