



US00D900611S

(12) **United States Design Patent** (10) **Patent No.:** **US D900,611 S**  
**Hewitt et al.** (45) **Date of Patent:** **\*\* Nov. 3, 2020**

- (54) **BEVERAGE CONTAINER**
- (71) Applicant: **HEWY WINE CHILLERS, LLC**,  
Orlando, FL (US)
- (72) Inventors: **Benjamin R. Hewitt**, Orlando, TX  
(US); **Stephen Bruner**, Orlando, FL  
(US); **Brett Weiner**, Orlando, FL (US)
- (73) Assignee: **Corkcicle, LLC**, Orlando, FL (US)
- (\*\*) Term: **15 Years**
- (21) Appl. No.: **29/681,106**
- (22) Filed: **Feb. 22, 2019**
- (51) **LOC (12) Cl.** ..... **09-01**
- (52) **U.S. Cl.**  
USPC ..... **D9/529; D7/300.1**
- (58) **Field of Classification Search**  
USPC ..... D9/521, 523, 528, 529, 544, 550, 574,  
D9/500, 531, 543, 560, 563, 575, 905,  
D9/907; D7/300, 300.1, 510, 598;  
D23/211.1, 211.2; 215/398, 381;  
D34/39; D11/62; 206/0.6; 220/6  
CPC ..... B65D 1/0223; B65D 23/10; B65D  
2501/0081; B65D 21/0231; B65D 1/0284;  
A47J 43/27; A47J 41/0077; A47J 19/023  
See application file for complete search history.

- D483,981 S \* 12/2003 Linz ..... D7/300.1
- D483,982 S \* 12/2003 Irvine ..... D7/300.1
- D510,497 S \* 10/2005 Hou ..... D7/300.1
- D520,654 S \* 5/2006 Freeman ..... D26/16
- D605,468 S 12/2009 Borrello et al.
- D617,942 S 6/2010 LoRe
- D623,016 S 9/2010 Borrello et al.
- D631,700 S 2/2011 Flick
- D646,926 S 10/2011 Willat et al.
- D654,318 S 2/2012 O'Neill
- D663,163 S 7/2012 Dick et al.
- D664,397 S 7/2012 Franco
- D714,646 S 10/2014 Libman et al.
- D721,541 S 1/2015 Evans
- D727,671 S \* 4/2015 Gamelli ..... D7/300.1
- D727,688 S 4/2015 Hewitt et al.
- D748,485 S \* 2/2016 Marret ..... D9/529
- D754,999 S \* 5/2016 Gamelli ..... D7/300.1

(Continued)

**OTHER PUBLICATIONS**

Corkcicle 20oz Hybrid Canteen, available Oct. 3, 2019, [online], [site visited Jun. 25, 2020]. Available from internet, URL: [https://www.amazon.com/Corkcicle-20oz-Hybrid-Canteen-Glompagne/dp/B07SJHHJDC/ref=cm\\_cr\\_arp\\_d\\_product\\_top?ie=UTF8](https://www.amazon.com/Corkcicle-20oz-Hybrid-Canteen-Glompagne/dp/B07SJHHJDC/ref=cm_cr_arp_d_product_top?ie=UTF8) (Year: 2019).\*

*Primary Examiner* — Brett Miller  
*Assistant Examiner* — Rani J Abdallah  
(74) *Attorney, Agent, or Firm* — Dickinson Wright, PLLC; Michael E. Noe, Jr.

(56) **References Cited**  
U.S. PATENT DOCUMENTS

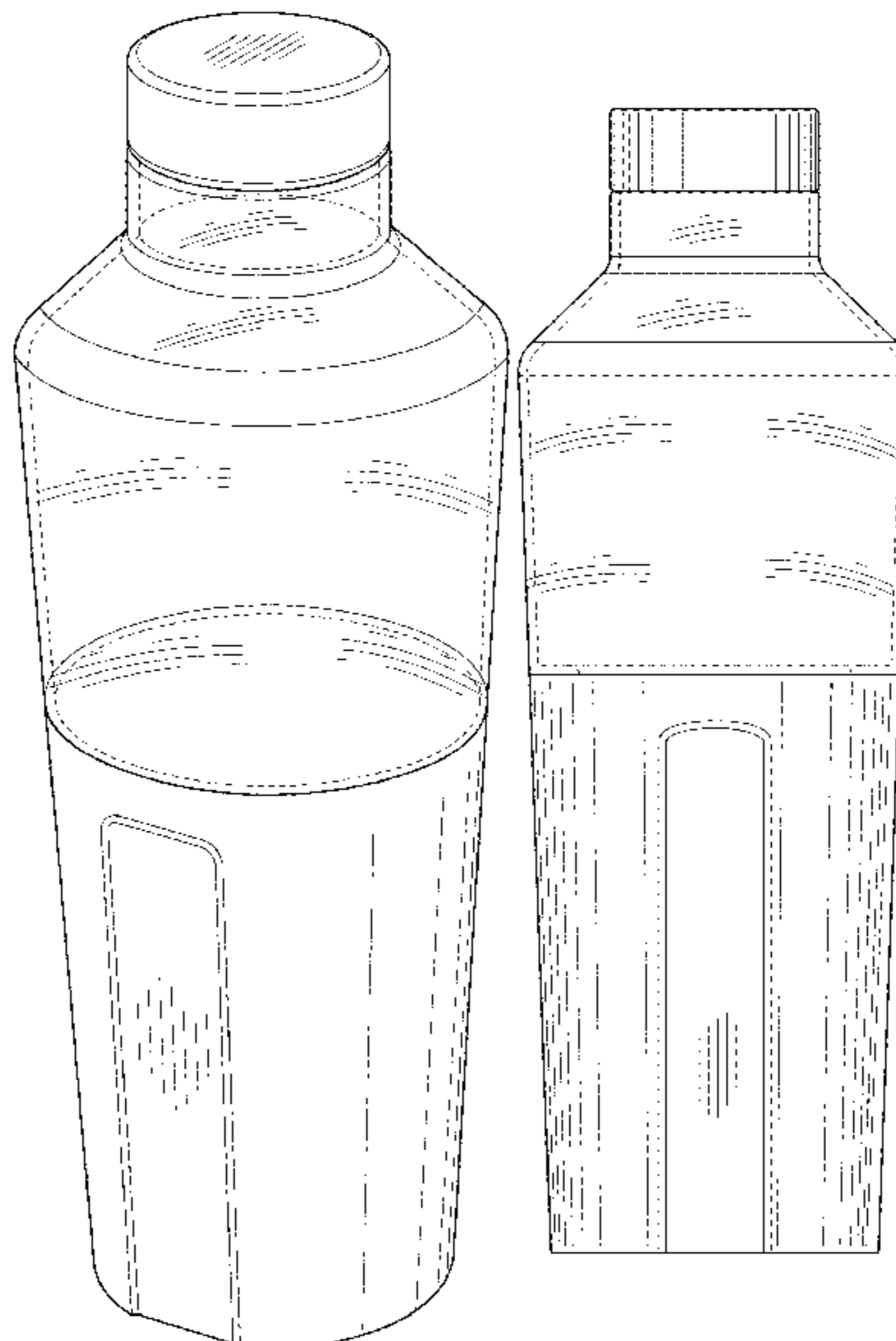
- D224,701 S 9/1972 Wright
- D279,763 S 7/1985 Hestehave et al.
- D282,232 S 1/1986 Bussell
- D340,385 S 10/1993 Durand
- D356,542 S 3/1995 Finkiewicz et al.
- D376,729 S 12/1996 Maki
- D411,414 S 6/1999 Berger
- D442,736 S 5/2001 McGilvray
- D480,590 S \* 10/2003 Linz ..... D7/300.1

(57) **CLAIM**  
The ornamental design for a beverage container, substantially as shown and described.

**DESCRIPTION**

FIG. 1 is a top perspective view of the beverage container; FIG. 2 is a front view thereof; FIG. 3 is a side view thereof; and, FIG. 4 is a top view thereof.

**1 Claim, 3 Drawing Sheets**



(56)

**References Cited**

## U.S. PATENT DOCUMENTS

D755,568	S	5/2016	Lee	
D756,716	S *	5/2016	Hewitt .....	D7/608
D761,607	S *	7/2016	Gamelli .....	D7/300.1
D761,608	S *	7/2016	Gamelli .....	D7/300.1
D761,609	S *	7/2016	Gamelli .....	D7/300.1
D767,090	S	9/2016	Zimak	
D767,930	S *	10/2016	Gamelli .....	D7/300.1
D769,043	S *	10/2016	Gamelli .....	D7/300.1
D772,311	S	11/2016	Bricker et al.	
D778,095	S *	2/2017	Gamelli .....	D7/300.1
D796,901	S *	9/2017	Pisarevsky .....	D9/503
D799,274	S *	10/2017	Hewitt .....	D7/531
D800,500	S	10/2017	Bricker	
D817,683	S *	5/2018	Melanson .....	D7/300.1
D830,126	S *	10/2018	Rohe .....	D7/510
D839,678	S *	2/2019	Bruner .....	D7/531
D850,857	S *	6/2019	Bruner .....	D7/531
D858,202	S *	9/2019	Hewitt .....	D7/531
D858,212	S *	9/2019	Hewitt .....	D7/608
D871,852	S *	1/2020	Haas .....	D7/531
D873,618	S *	1/2020	Hewitt .....	D7/531
D874,285	S *	2/2020	Yourist .....	D9/539
2019/0185196	A1 *	6/2019	Hewitt .....	A47J 41/0061

\* cited by examiner

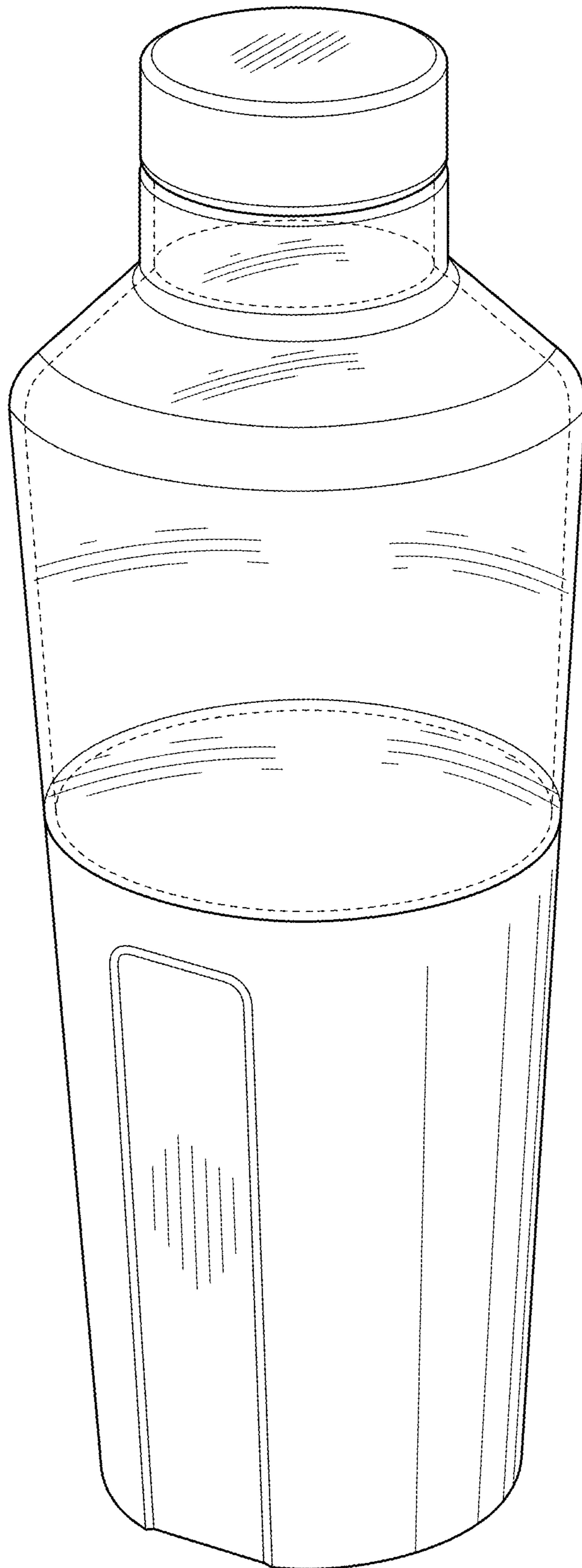


FIG. 1

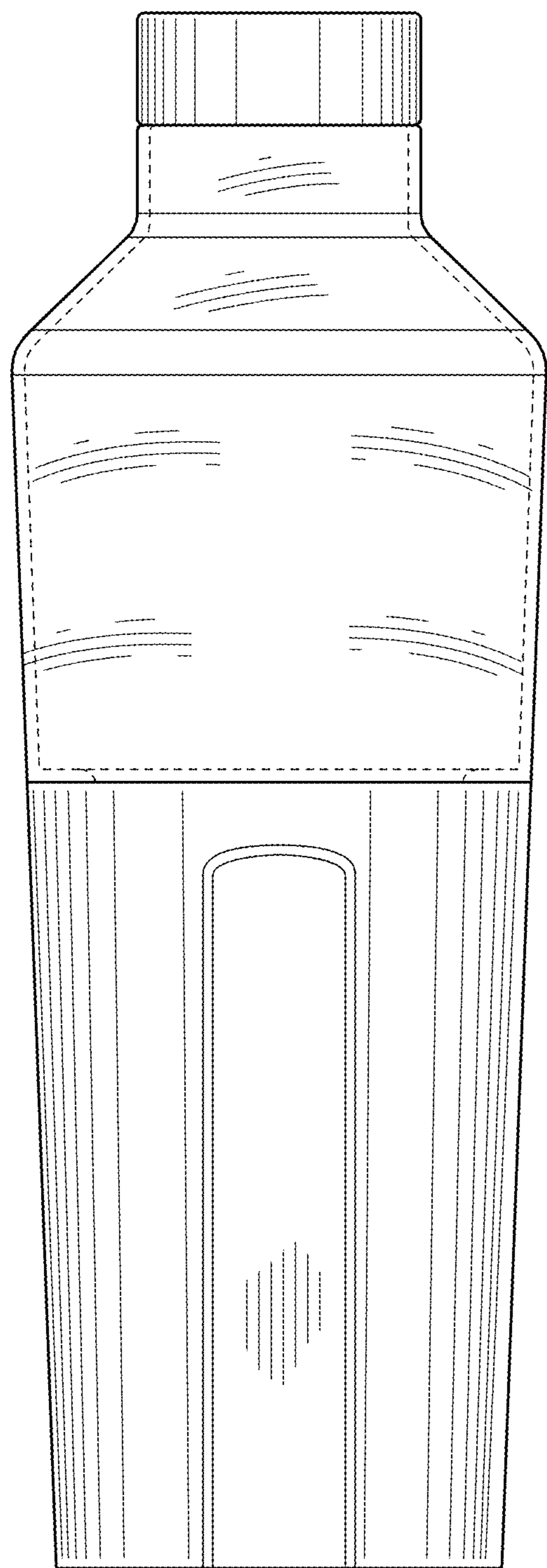


FIG. 2

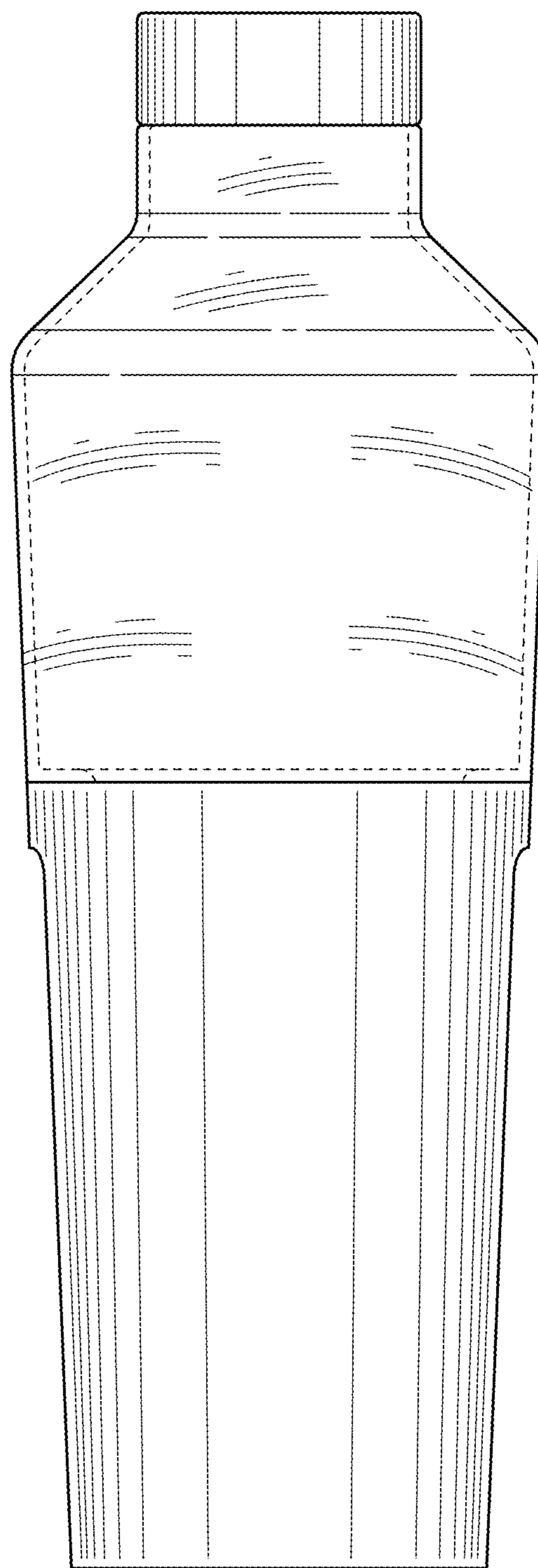


FIG. 3

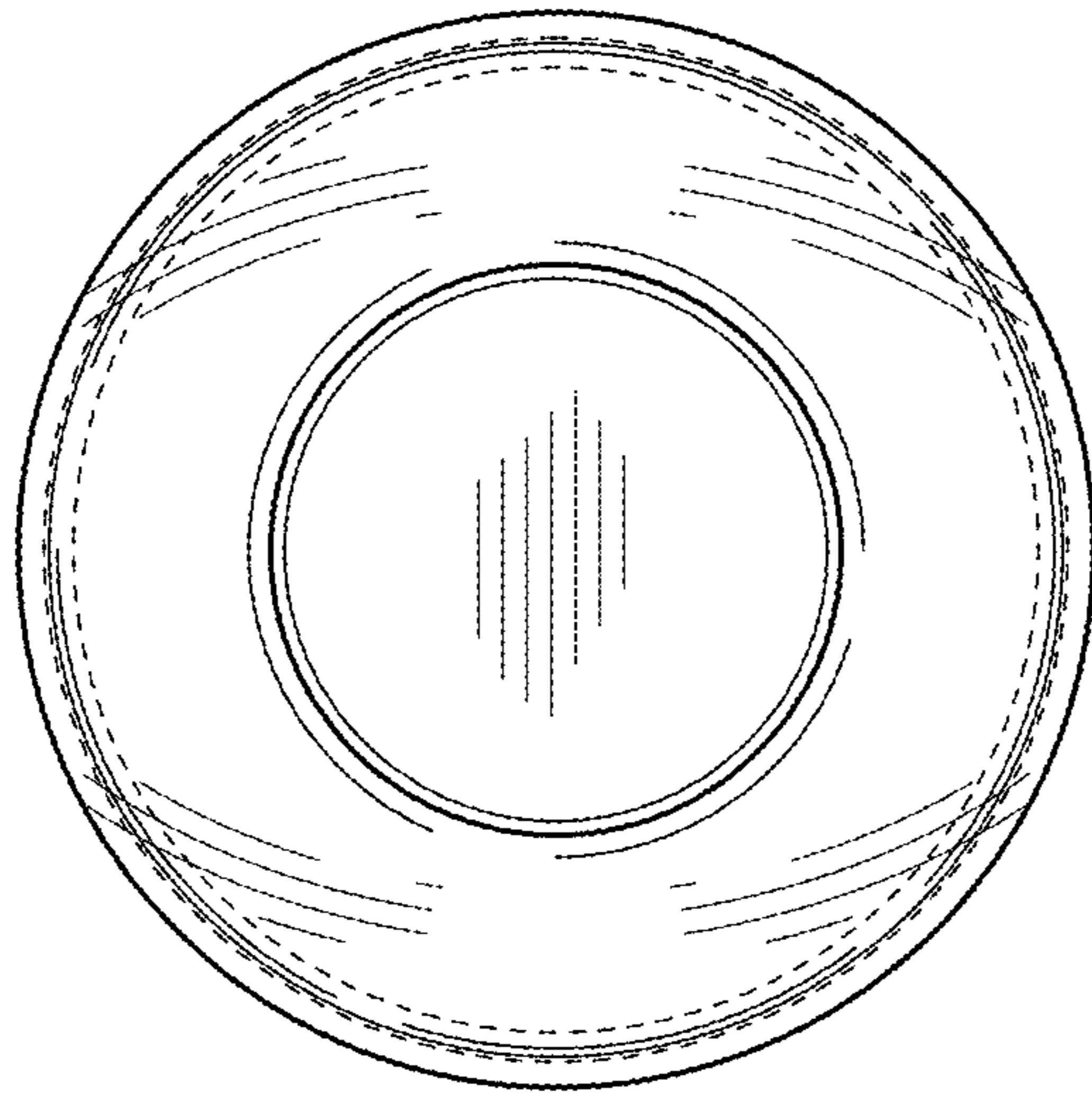


FIG. 4