



US00D900602S

(12) **United States Design Patent**
Hartley et al.

(10) **Patent No.:** **US D900,602 S**

(45) **Date of Patent:** **** Nov. 3, 2020**

(54) **CONTAINER BASE**

B65D 2519/00268; B65D 2519/00318;
B65D 77/003; B65D 2519/00208

(71) Applicant: **The Decor Corporation Pty. Ltd.**,
Dandenong South, Victoria (AU)

See application file for complete search history.

(72) Inventors: **Toby Hartley**, Keysborough (AU);
Alexander Schoenmakers,
Keysborough (AU); **Justin Armistead**,
Keysborough (AU)

(56) **References Cited**

U.S. PATENT DOCUMENTS

D588,859 S * 3/2009 Simon D7/354
D630,898 S * 1/2011 de Groote D7/602
D678,051 S * 3/2013 Krueger D9/432

(Continued)

(73) Assignee: **The Decor Corporation Pty. Ltd.**,
Dandenong South, Victoria (AU)

Primary Examiner — Lauren R Calve

(**) Term: **15 Years**

(74) *Attorney, Agent, or Firm* — Stevens & Showalter
LLP

(21) Appl. No.: **29/700,081**

(22) Filed: **Jul. 31, 2019**

(57) **CLAIM**

The ornamental design for a container base, as shown and
described.

(30) **Foreign Application Priority Data**

Feb. 5, 2019 (AU) 201910587

Feb. 5, 2019 (AU) 201910588

DESCRIPTION

(51) **LOC (12) Cl.** **09-03**

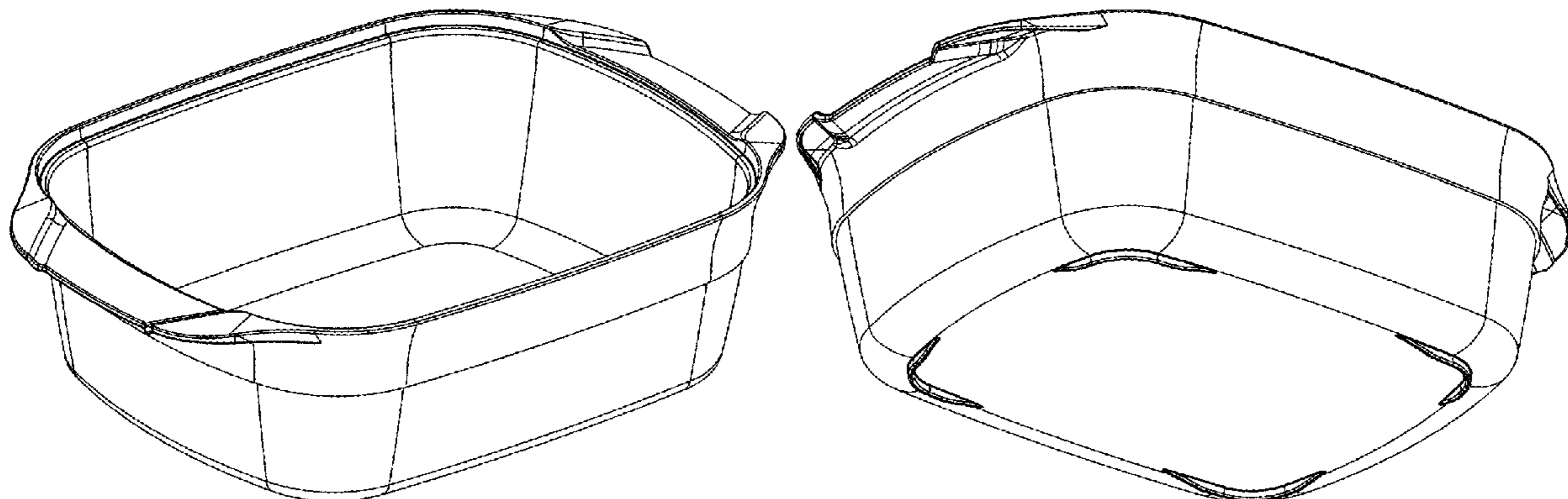
(52) **U.S. Cl.**
USPC **D9/432; D7/602**

(58) **Field of Classification Search**
USPC D9/414, 415, 423, 424, 425, 430, 432,
D9/737, 761; D7/354, 360, 601, 602,
D7/629, 630

CPC B65D 2543/00296; B65D 2543/00092;
B65D 85/8043; B65D 43/0212; B65D
1/0223; B65D 2543/00509; B65D
2543/00731; B65D 79/005; B65D 25/04;
B65D 2543/00805; B65D 1/36; B65D
85/72; B65D 1/34; B65D 81/3453; B65D
51/20; B65D 2543/00027; B65D
2543/00648; B65D 2543/00972; B65D
85/73; B65D 2543/00416; B65D
2543/00694; B65D 25/00; B65D 81/3216;
B65D 2543/00759; B65D 1/0207; B65D
81/3205; B65D 2519/00288; B65D
2519/00034; B65D 2519/00069; B65D
25/08; B65D 1/24; B65D 2519/00174;

FIG. 1 is a front perspective view from above of a first
embodiment of a container base having a first height;
FIG. 2 is a rear perspective view thereof from below;
FIG. 3 is a top plan view thereof;
FIG. 4 is a bottom plan view thereof;
FIG. 5 is a front elevation view thereof;
FIG. 6 is a rear elevation view thereof;
FIG. 7 is left side elevation view thereof;
FIG. 8 is a right side elevation view thereof;
FIG. 9 is a front perspective view from above of a second
embodiment of a container base having a second height that
is greater than the first height;
FIG. 10 is a rear perspective view thereof from below;
FIG. 11 is a top plan view thereof;
FIG. 12 is a bottom plan view thereof;
FIG. 13 is a front elevation view thereof;
FIG. 14 is a rear elevation view thereof;
FIG. 15 is left side elevation view thereof; and,
FIG. 16 is a right side elevation view thereof.

1 Claim, 8 Drawing Sheets



(56)

References Cited

U.S. PATENT DOCUMENTS

D689,733	S *	9/2013	Parr	D7/360
D697,762	S *	1/2014	Carlson	D7/602
D697,764	S *	1/2014	Carlson	D7/602
D700,480	S *	3/2014	Yessin	D7/602
D753,992	S *	4/2016	Shiffer	D9/428
D810,285	S *	2/2018	Adams	D24/123
D859,060	S *	9/2019	Mirchandani	D7/360
2003/0116572	A1 *	6/2003	Klock	B65D 51/1683
					220/367.1
2014/0090991	A1 *	4/2014	Rayko	B65D 43/0208
					206/216
2020/0115120	A1 *	4/2020	Kim	A47J 36/02

* cited by examiner

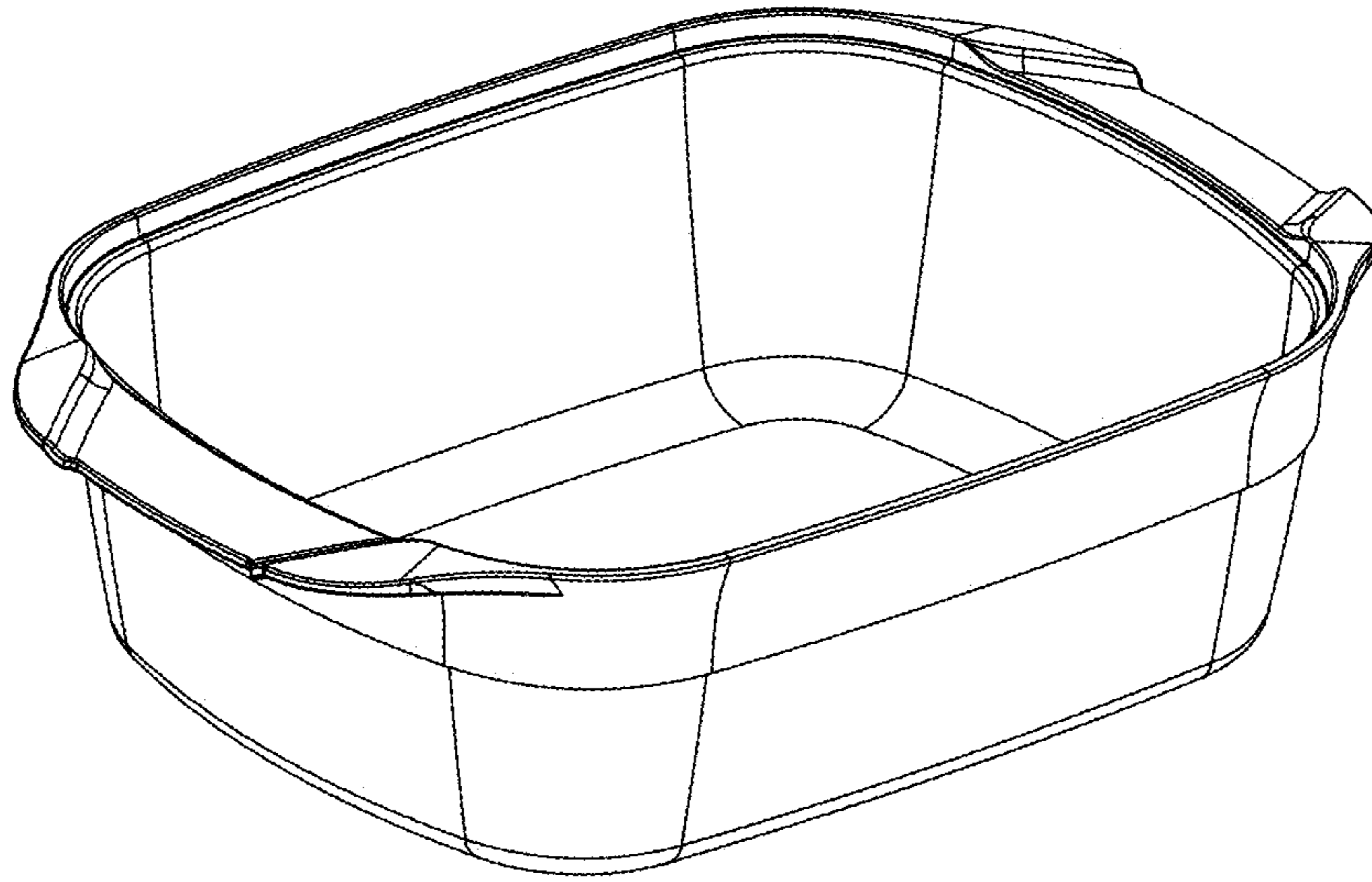


Figure 1

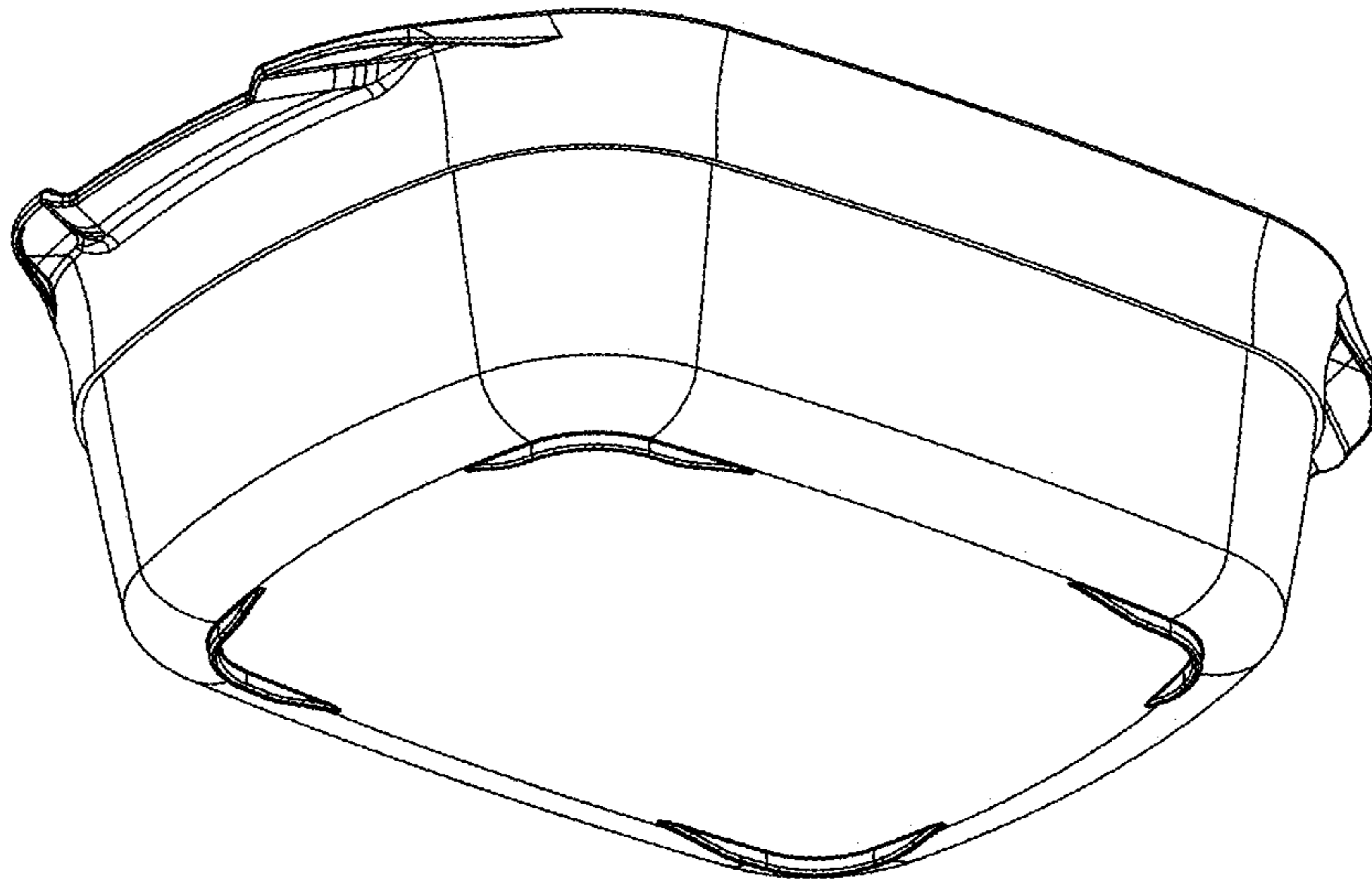


Figure 2

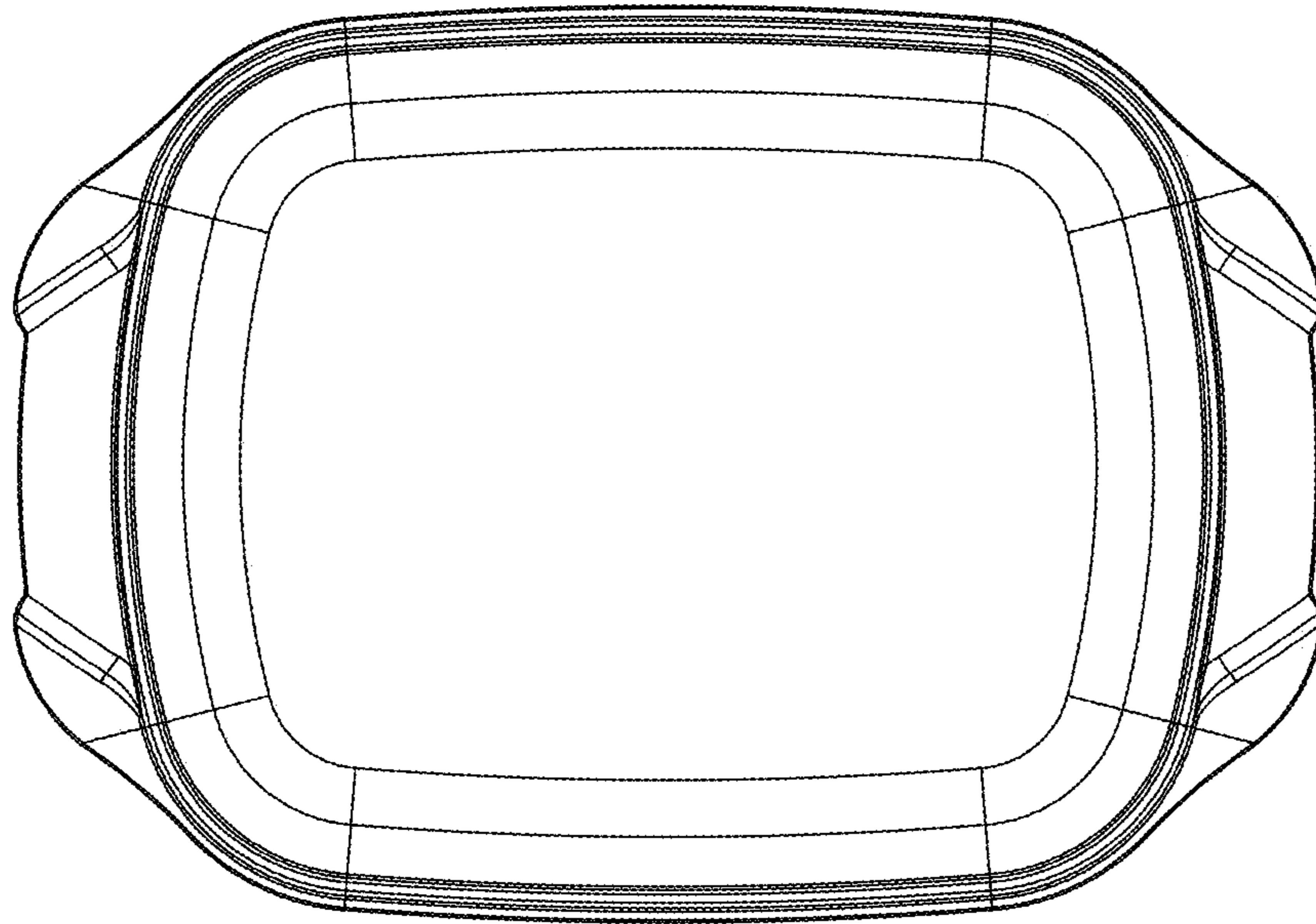


Figure 3

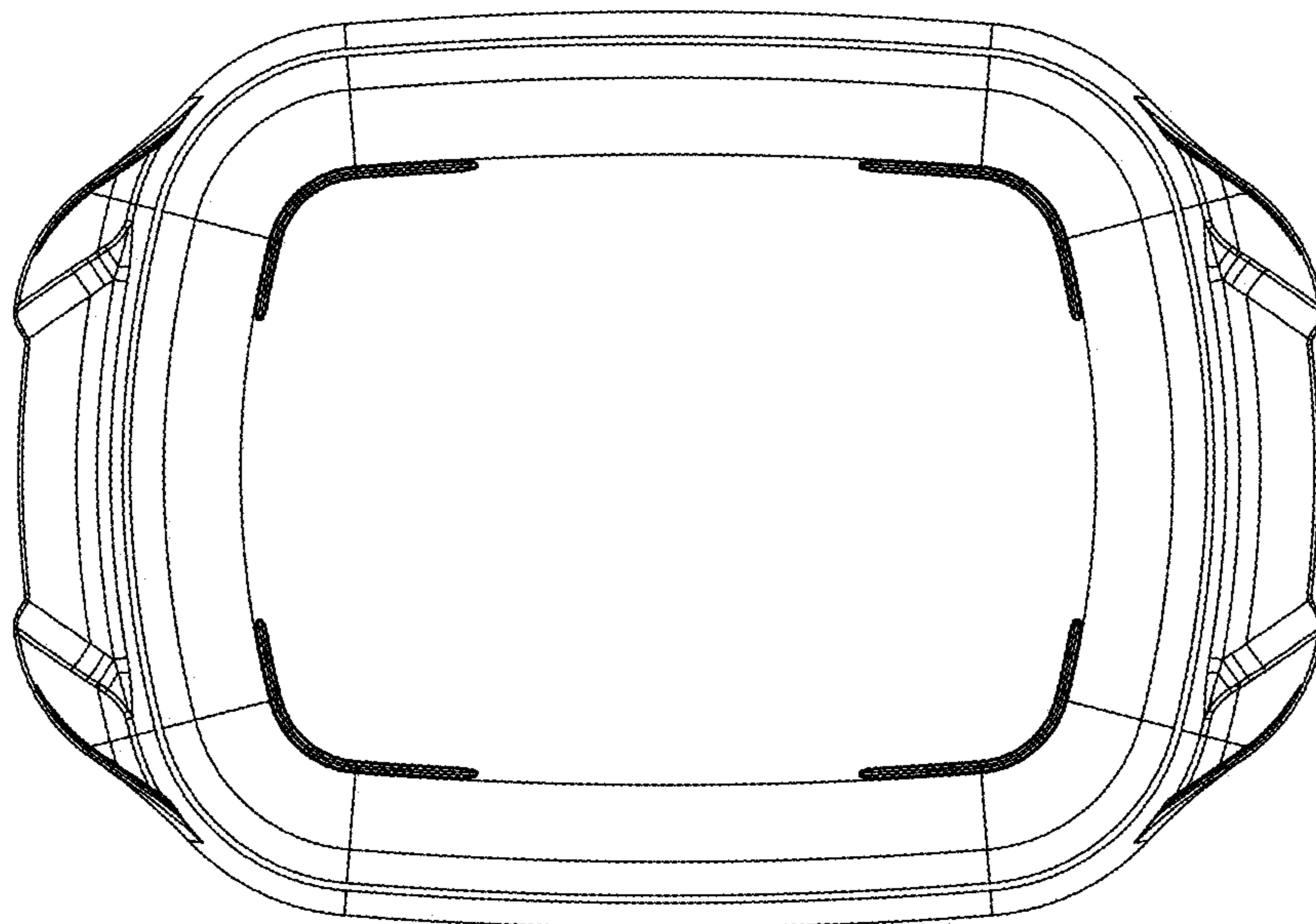


Figure 4

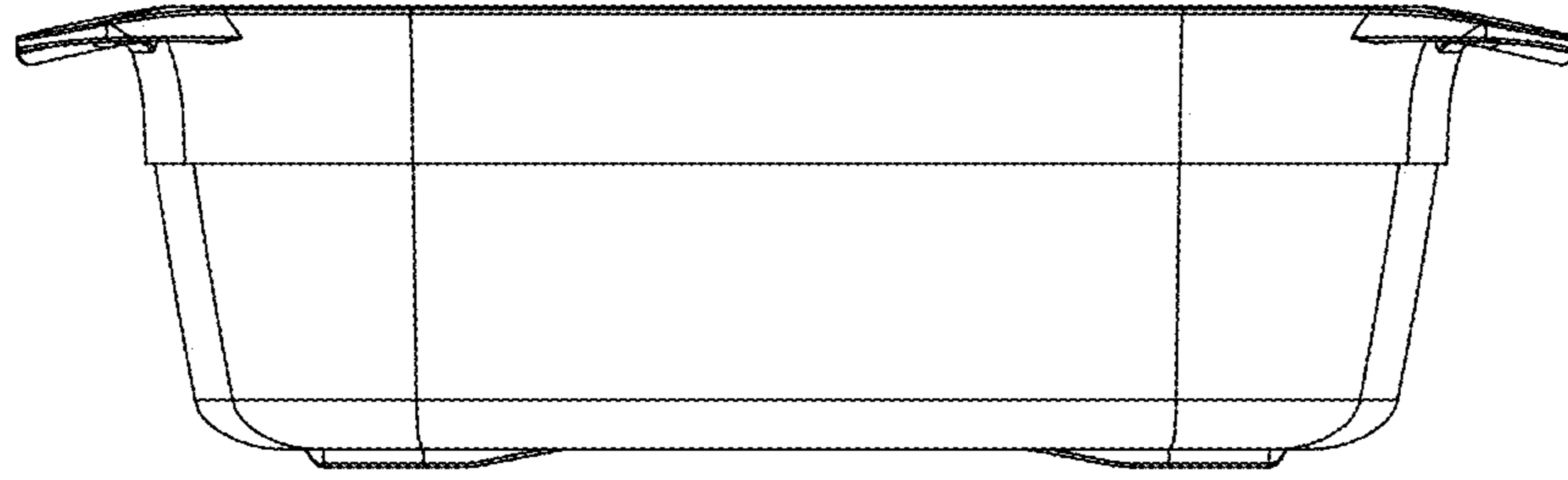


Figure 5

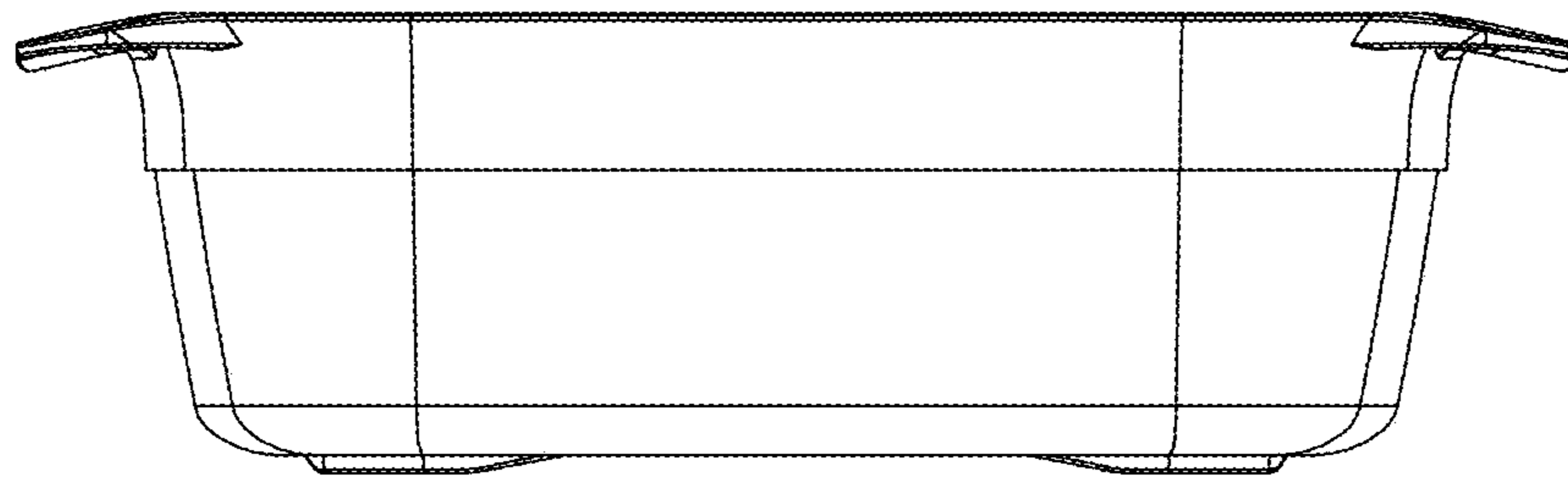


Figure 6

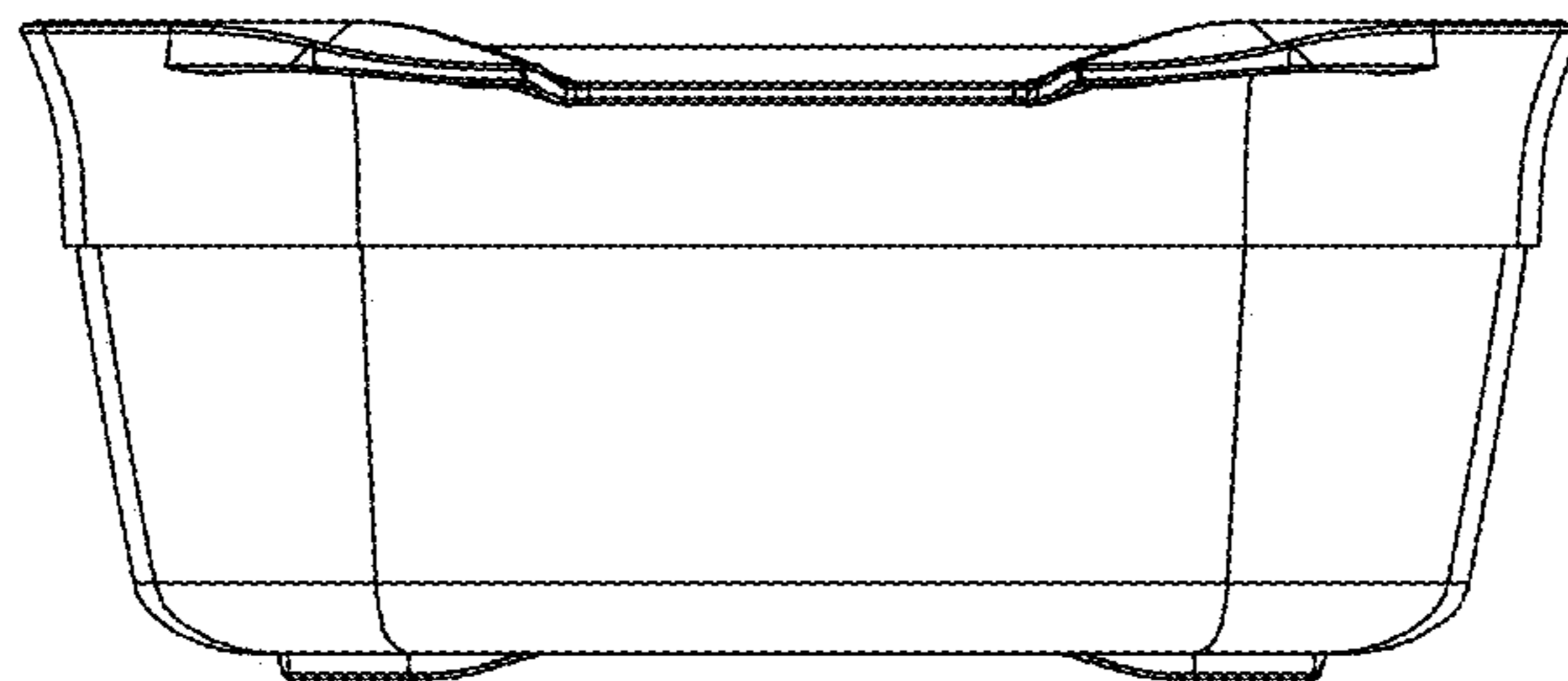


Figure 7

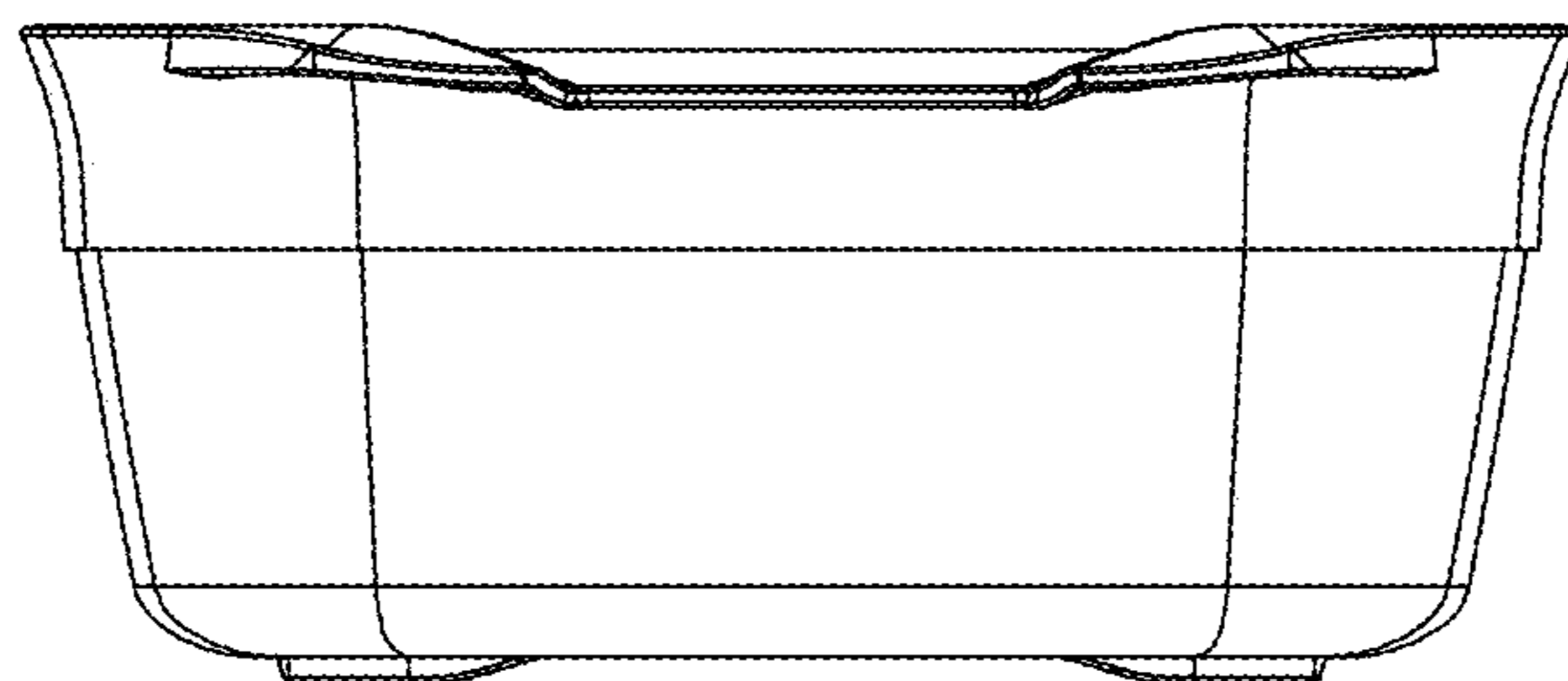


Figure 8

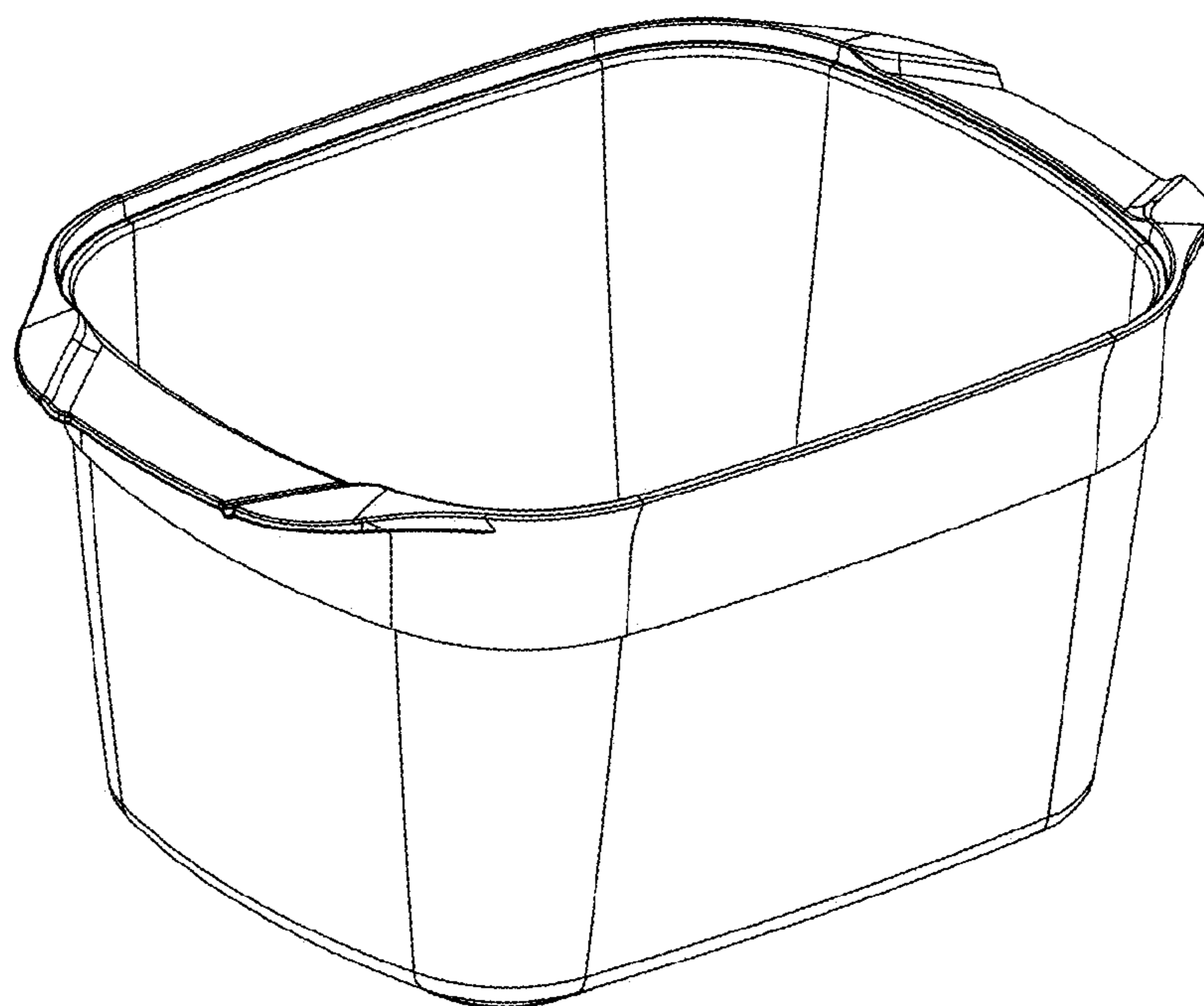


Figure 9

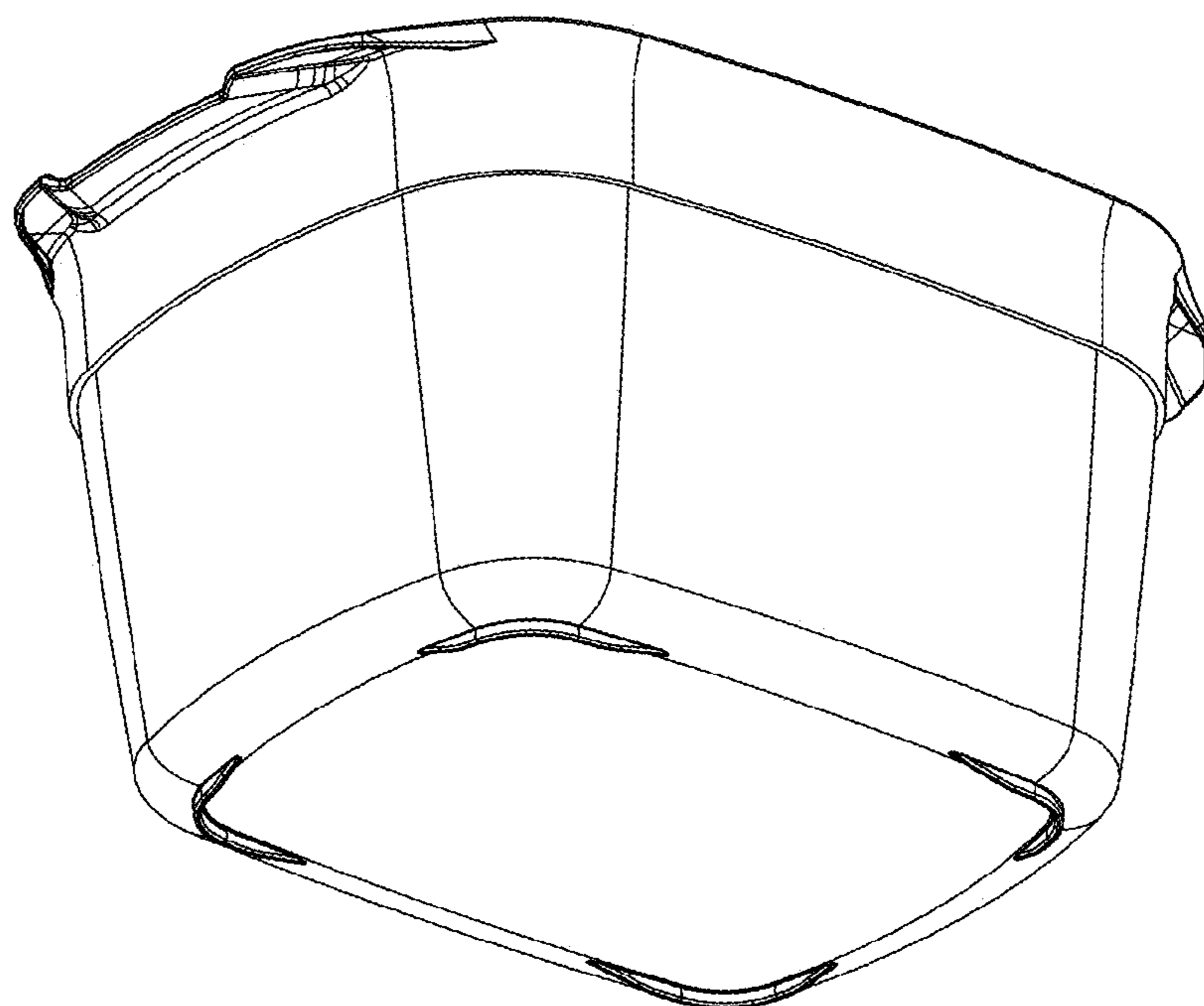


Figure 10

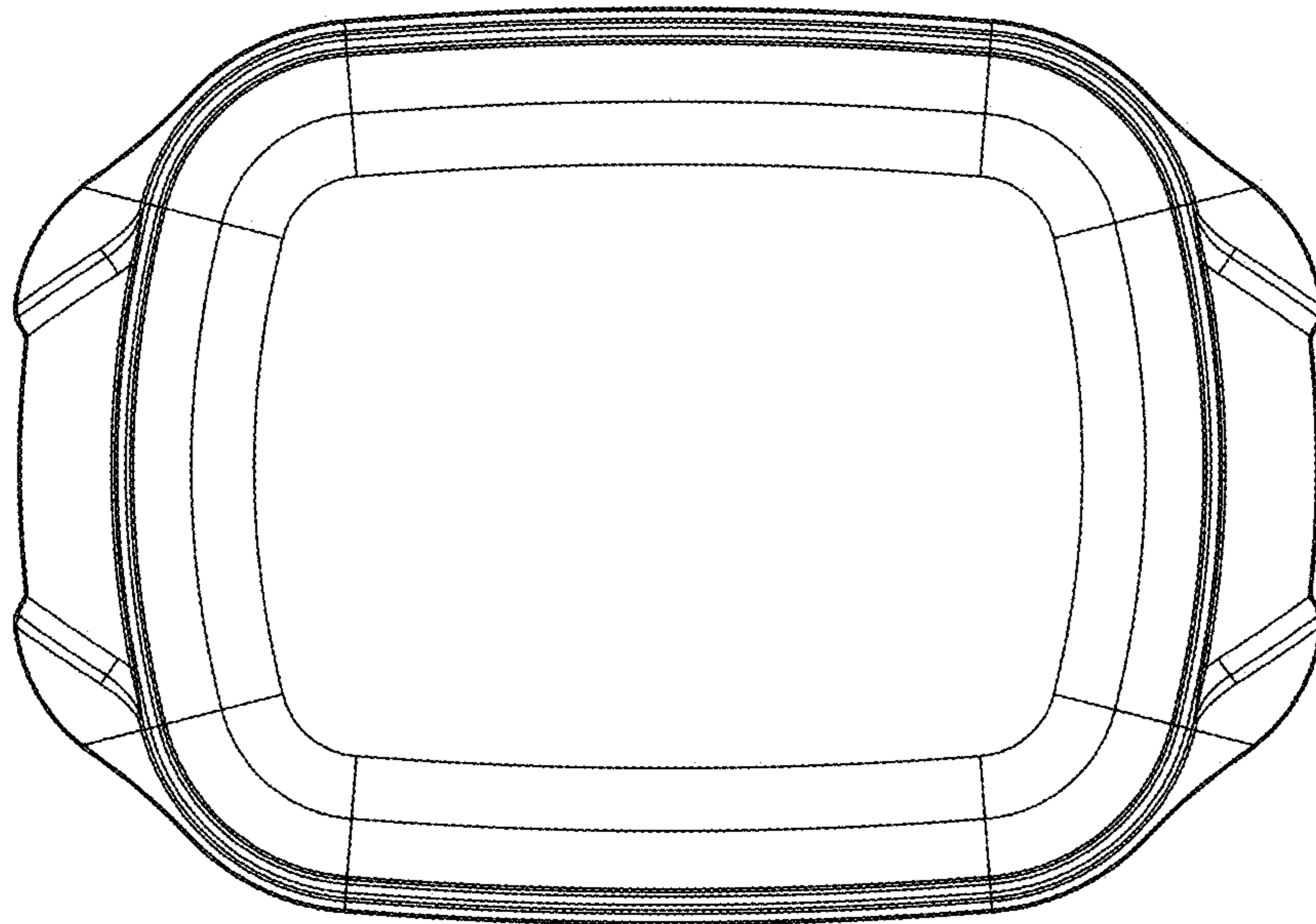


Figure 11

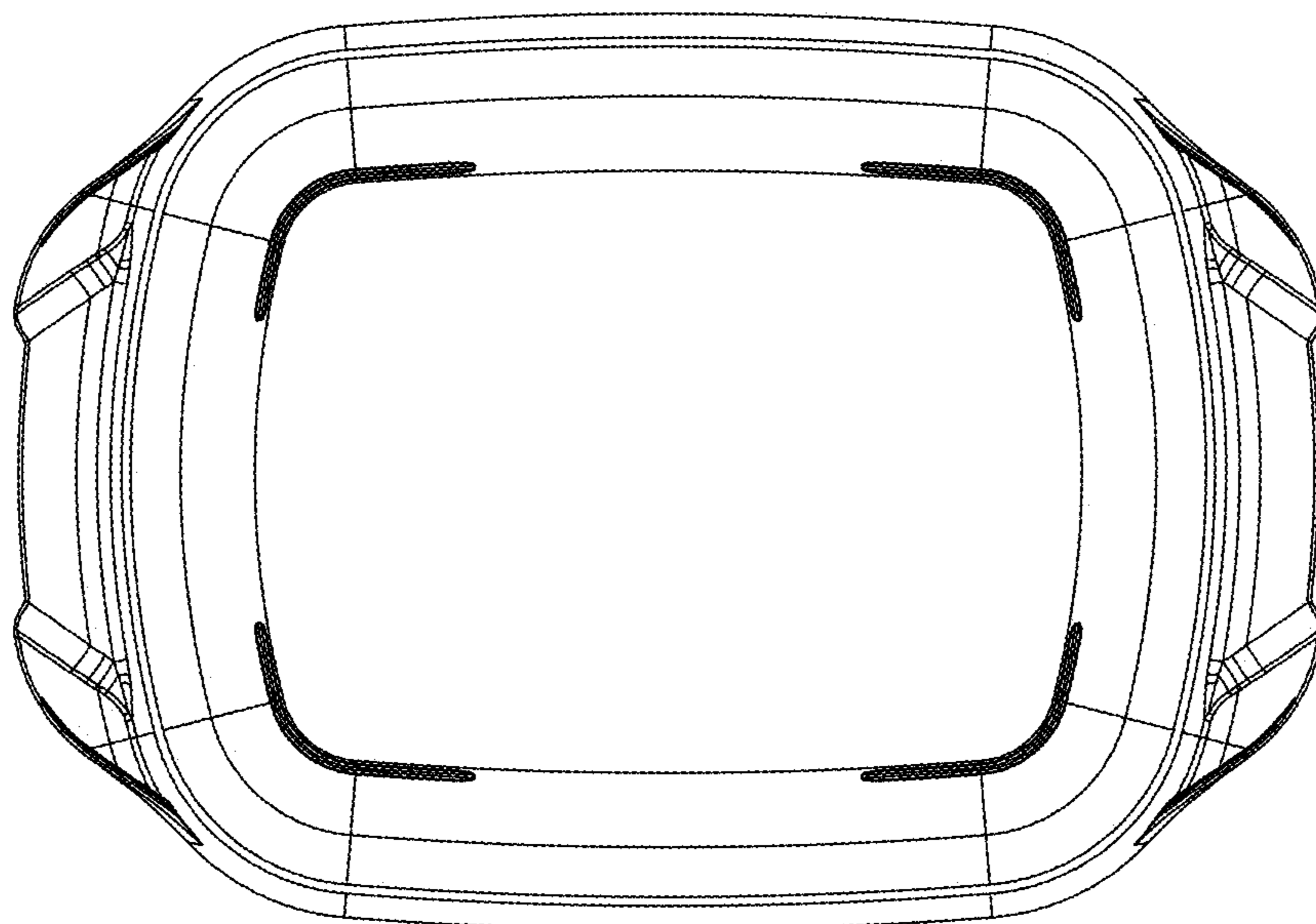


Figure 12

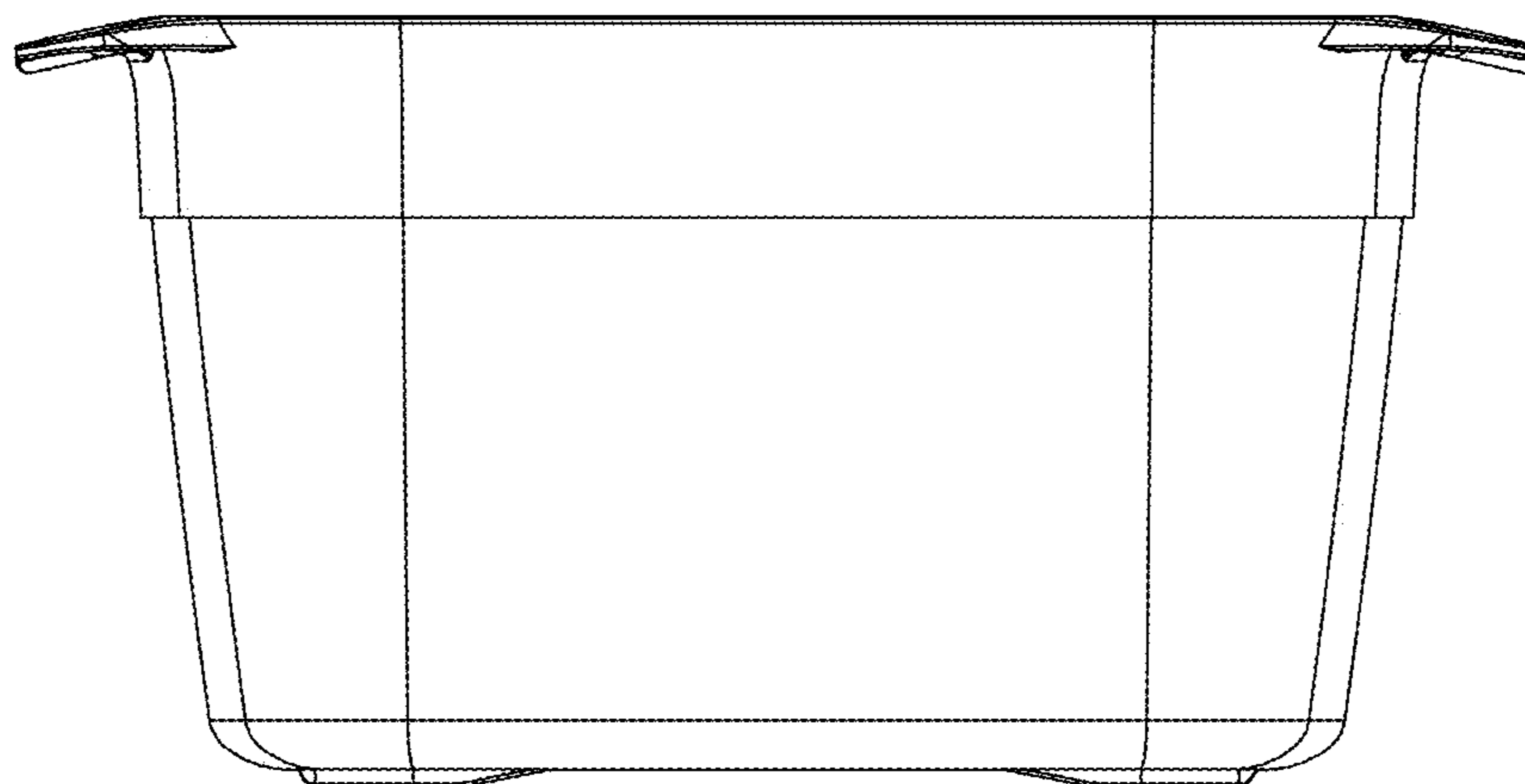


Figure 13

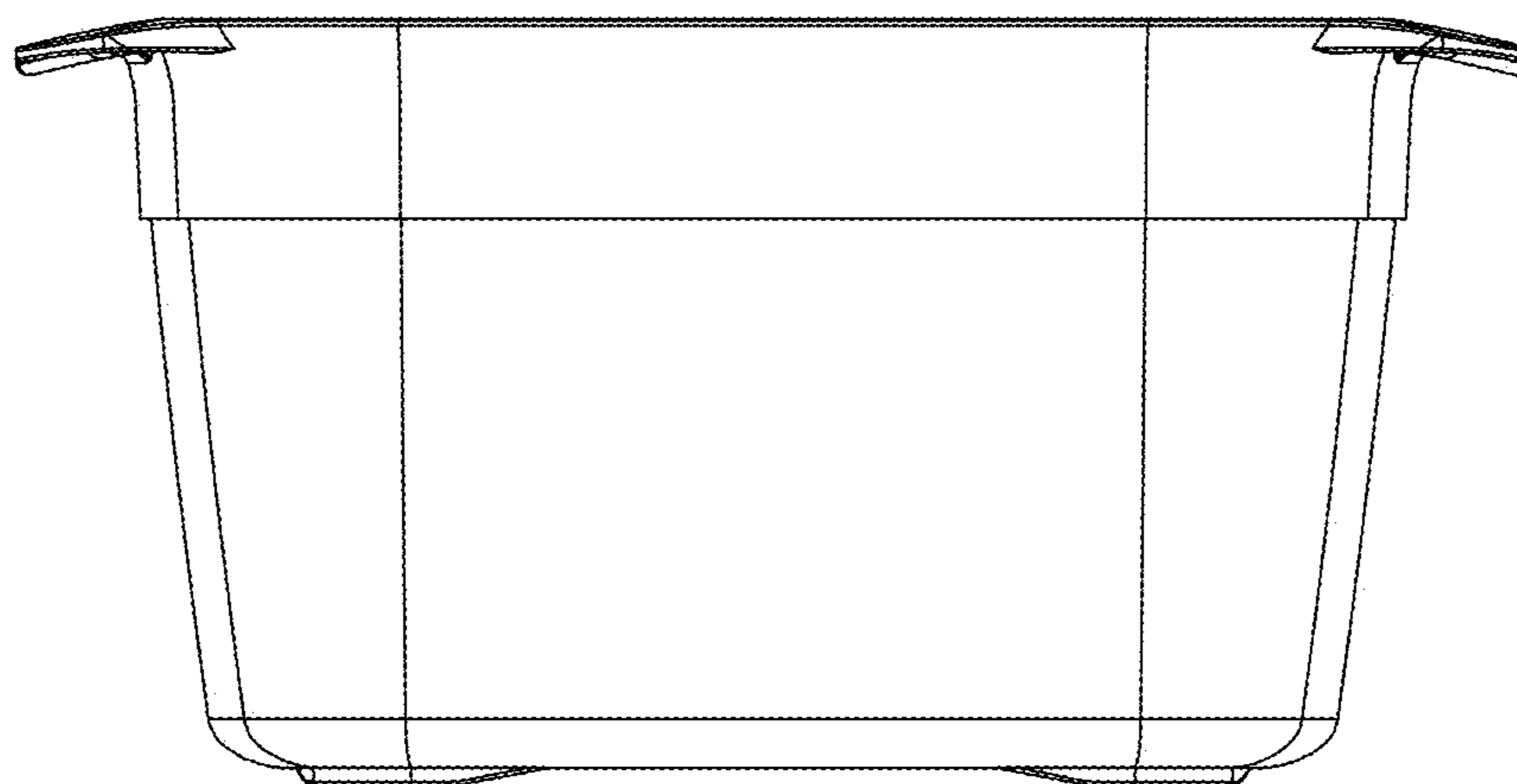


Figure 14

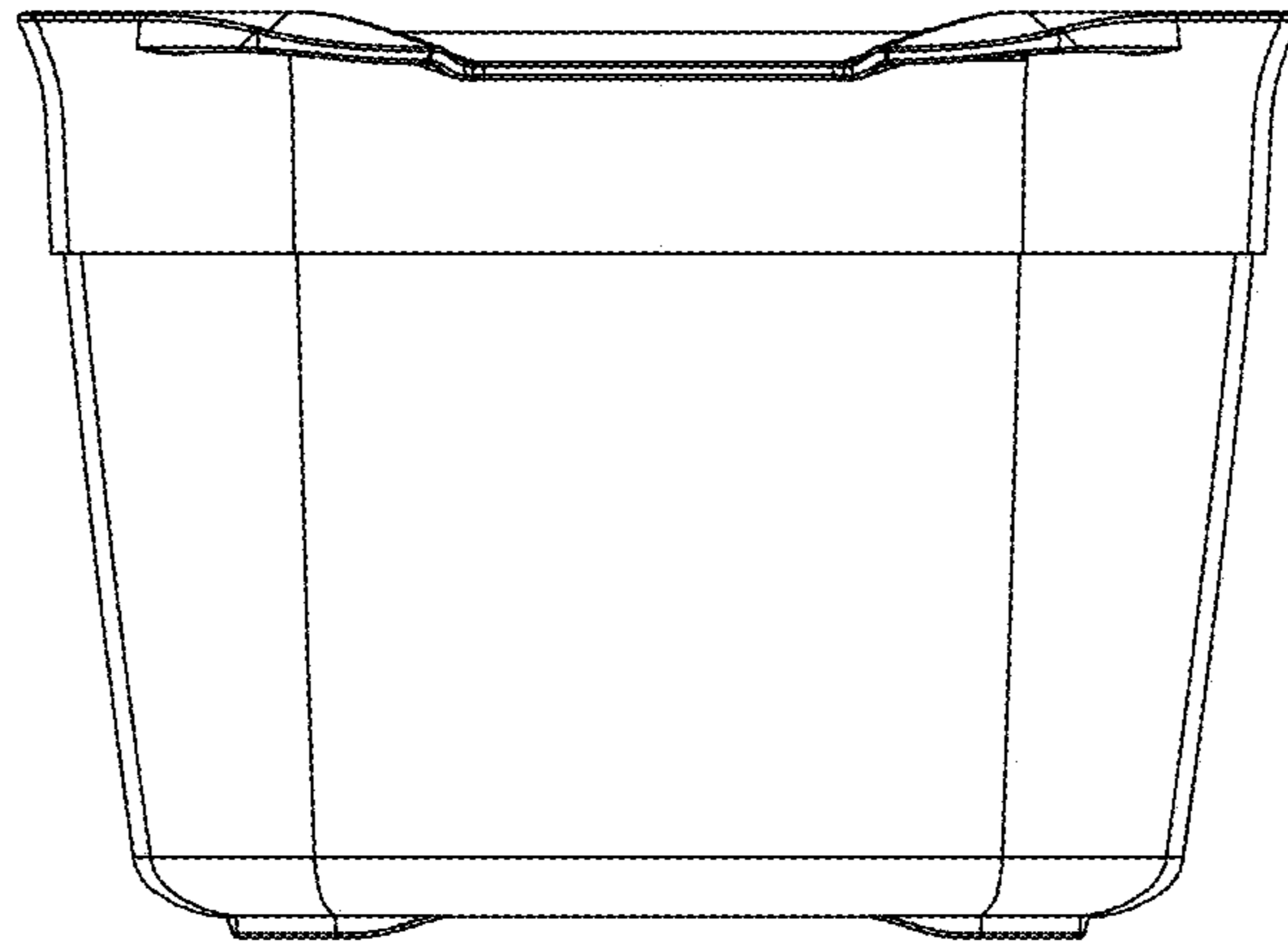


Figure 15

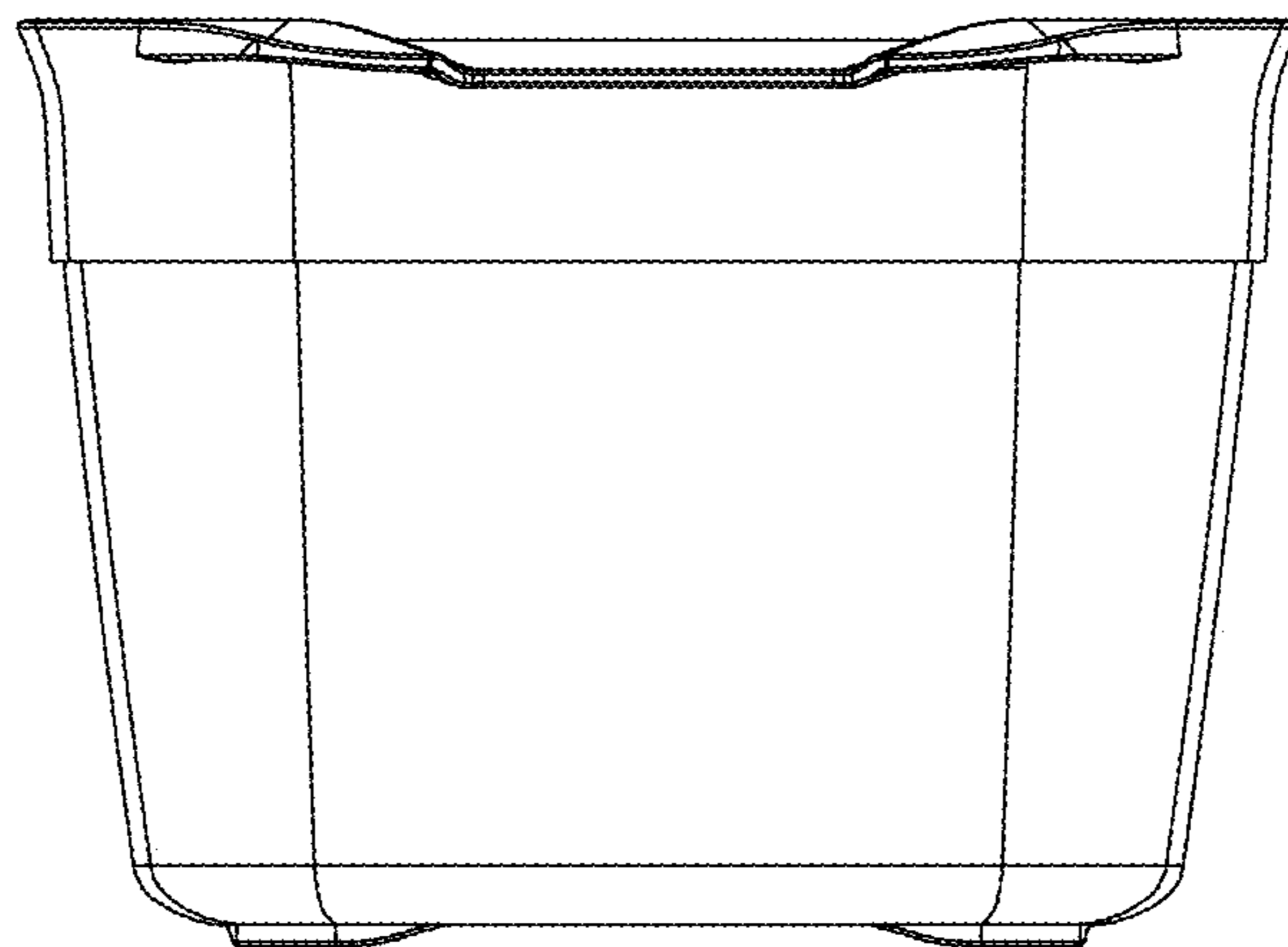


Figure 16