



US00D900600S

(12) **United States Design Patent** (10) **Patent No.:** **US D900,600 S**
Spain, Jr. (45) **Date of Patent:** **** Nov. 3, 2020**

(54) **WINGED LOCK NUT**
(71) Applicant: **American Display & Fixture, LLC,**
Dalton, GA (US)

D658,046 S * 4/2012 Austin, III D8/385
D672,639 S 12/2012 Pawluk
8,950,129 B2 2/2015 Motosko, III
D754,775 S * 4/2016 Hayes D16/242
2008/0273940 A1 11/2008 Horowitz

(72) Inventor: **Walter Glenn Spain, Jr.,** Cleveland,
TN (US)

FOREIGN PATENT DOCUMENTS

(73) Assignee: **American Display & Fixture, LLC,**
Dalton, GA (US)

CA 20778 11/1956
CN 203214553 9/2013
CN 205244087 5/2016
CN 106151216 11/2016
DE 9415134 11/1994
DE 202017106618 11/2017
FR 2366480 6/1980

(**) Term: **15 Years**

(Continued)

(21) Appl. No.: **29/696,070**

(22) Filed: **Jun. 25, 2019**

OTHER PUBLICATIONS

(51) **LOC (12) Cl.** **08-08**

(52) **U.S. Cl.**
USPC **D8/398**

¼-20 in. Watered Wing Nut (200-Pack), The Hillman Group.

(Continued)

(58) **Field of Classification Search**
USPC D8/397, 394, 382, 349, 399, 387, 70, 29,
D8/83, 86, 395, 398; 411/376.2, 84, 446,
411/399, 490, 455, 377, 173; D23/259,
D23/260
CPC F16B 37/068; F16B 33/002; F16B 41/002;
F16B 5/0208; F16B 23/0061; F16B
31/02; F16B 37/02; F01N 13/009

Primary Examiner — Cynthia R Underwood
(74) *Attorney, Agent, or Firm* — Miller & Martin, PLLC

See application file for complete search history.

(57) **CLAIM**

The ornamental design for a winged lock nut, as shown and described.

DESCRIPTION

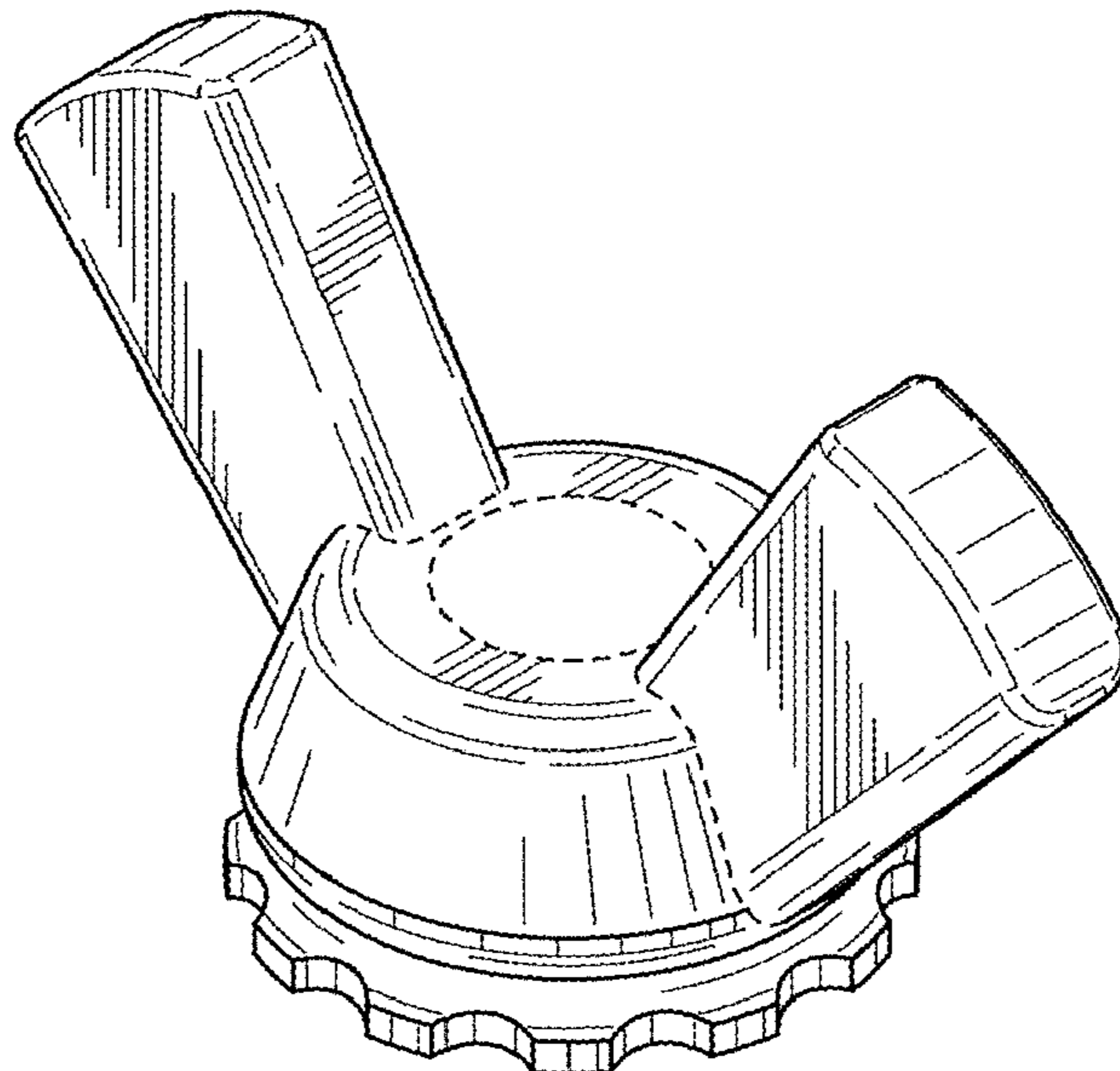
(56) **References Cited**

U.S. PATENT DOCUMENTS

D155,997 S * 11/1949 Gries D8/398
D230,032 S * 1/1974 Robert D30/133
D272,454 S * 1/1984 Boudreaux D21/471
D358,688 S * 5/1995 Frasier 411/400
D363,148 S * 10/1995 Frasier 411/84
D409,073 S * 5/1999 Bluestone D8/307
D484,786 S * 1/2004 O'Connor D8/398
D510,260 S 10/2005 Jennings
D603,251 S 11/2009 King
D625,977 S * 10/2010 Watson D8/51

FIG. 1 is a front view of the winged lock nut;
FIG. 2 is a bottom view thereof;
FIG. 3 is a top view thereof;
FIG. 4 is a side view thereof;
FIG. 5 is a top perspective view thereof; and,
FIG. 6 is a bottom perspective view thereof.
The dashed broken lines in FIGS. 1 through 6 depict environmental subject matter only and form no part of the claimed design.

1 Claim, 3 Drawing Sheets



(56)

References Cited

FOREIGN PATENT DOCUMENTS

JP	2006153167	6/2006
KR	200393360	8/2005

OTHER PUBLICATIONS

Hardware washer based wing nut, Alan Manufacturing Inc.
3/8-16 washer based wing nuts, Display Innovations.
1/4"-20 Washer Base Zinc Alloy Wing Nut, Fastenal.
Fasteners, Ningbo Haobo Industry & Trade Co., Ltd., published
Mar. 9, 2015.

* cited by examiner

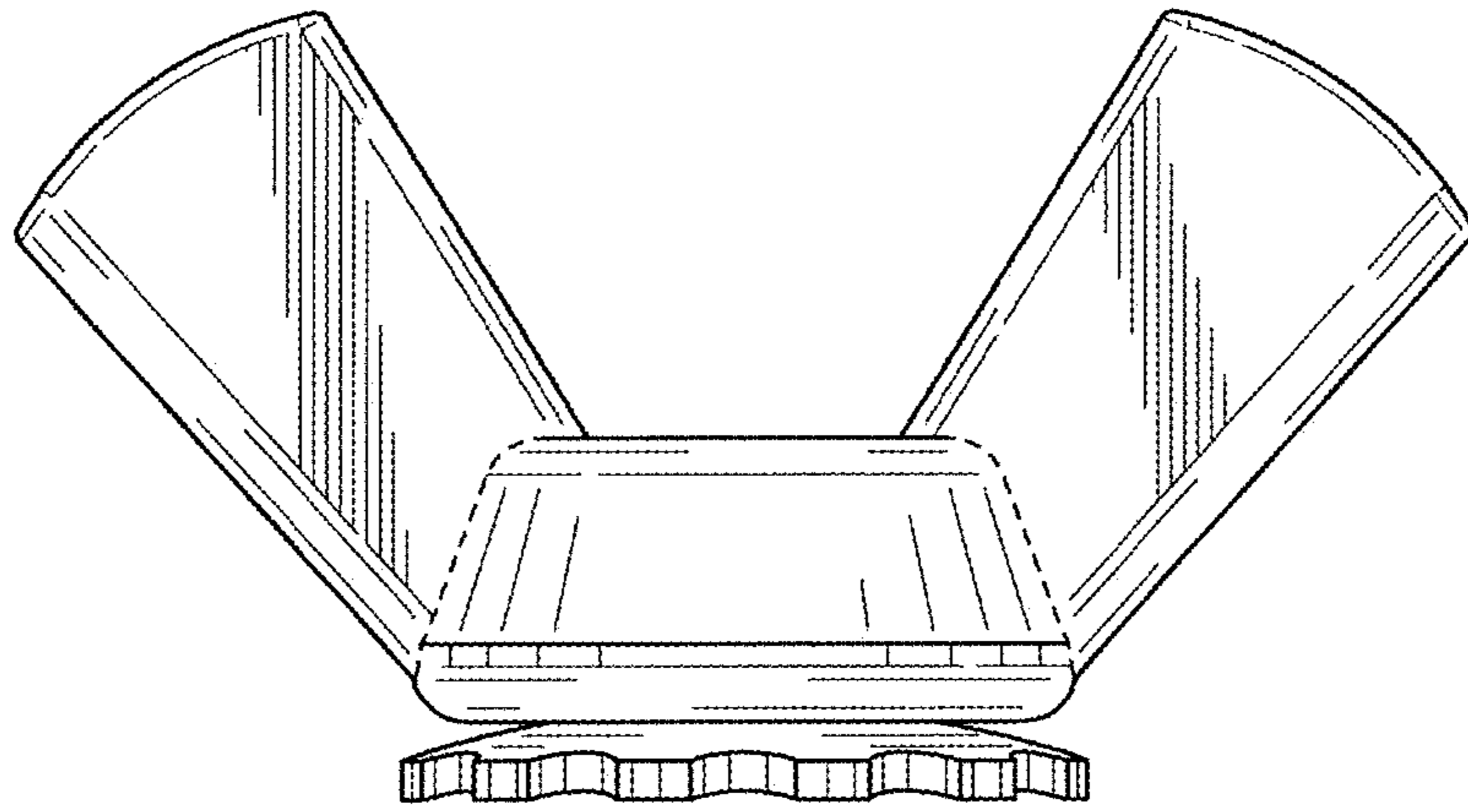


FIG. 1

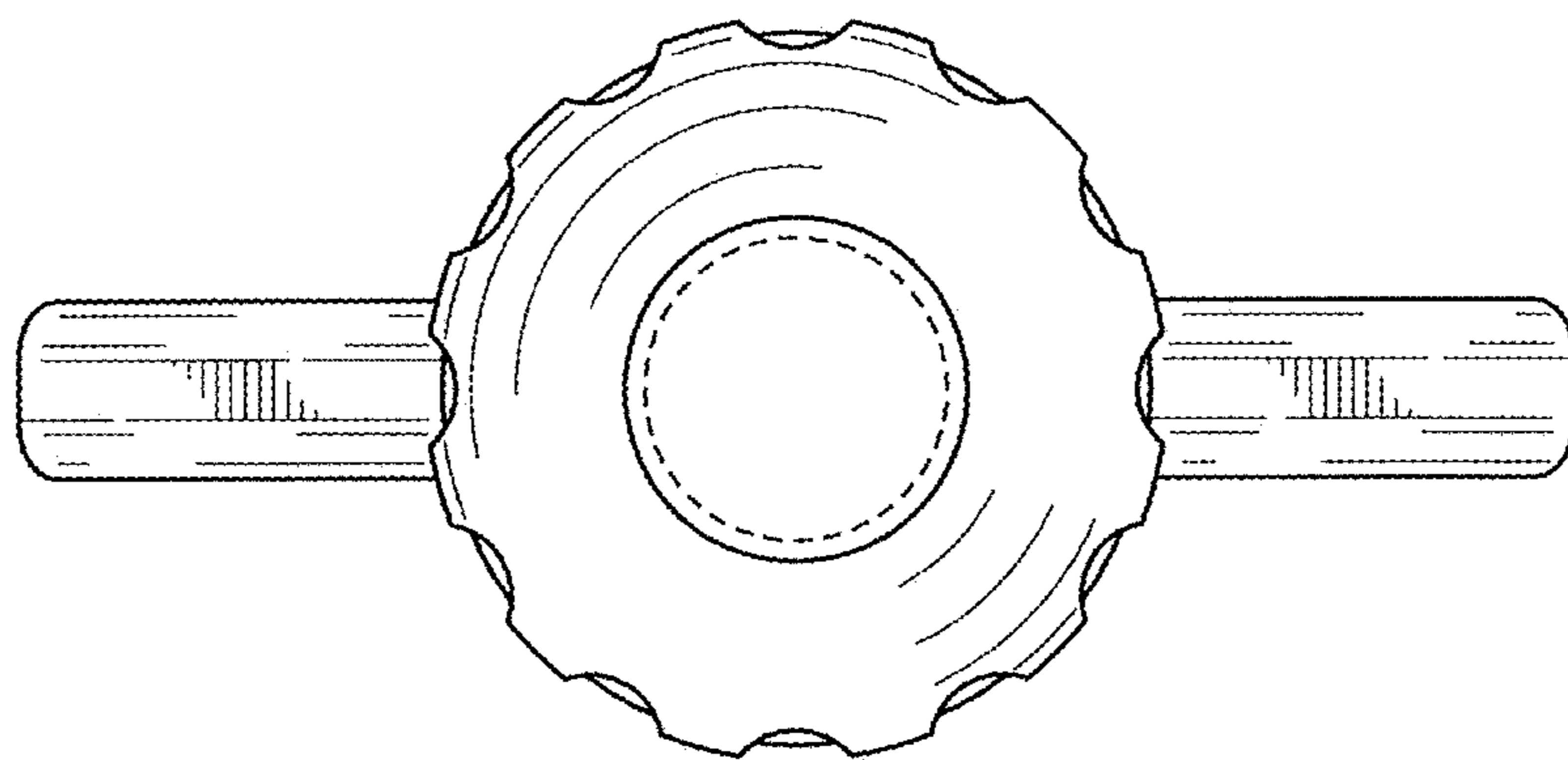


FIG. 2

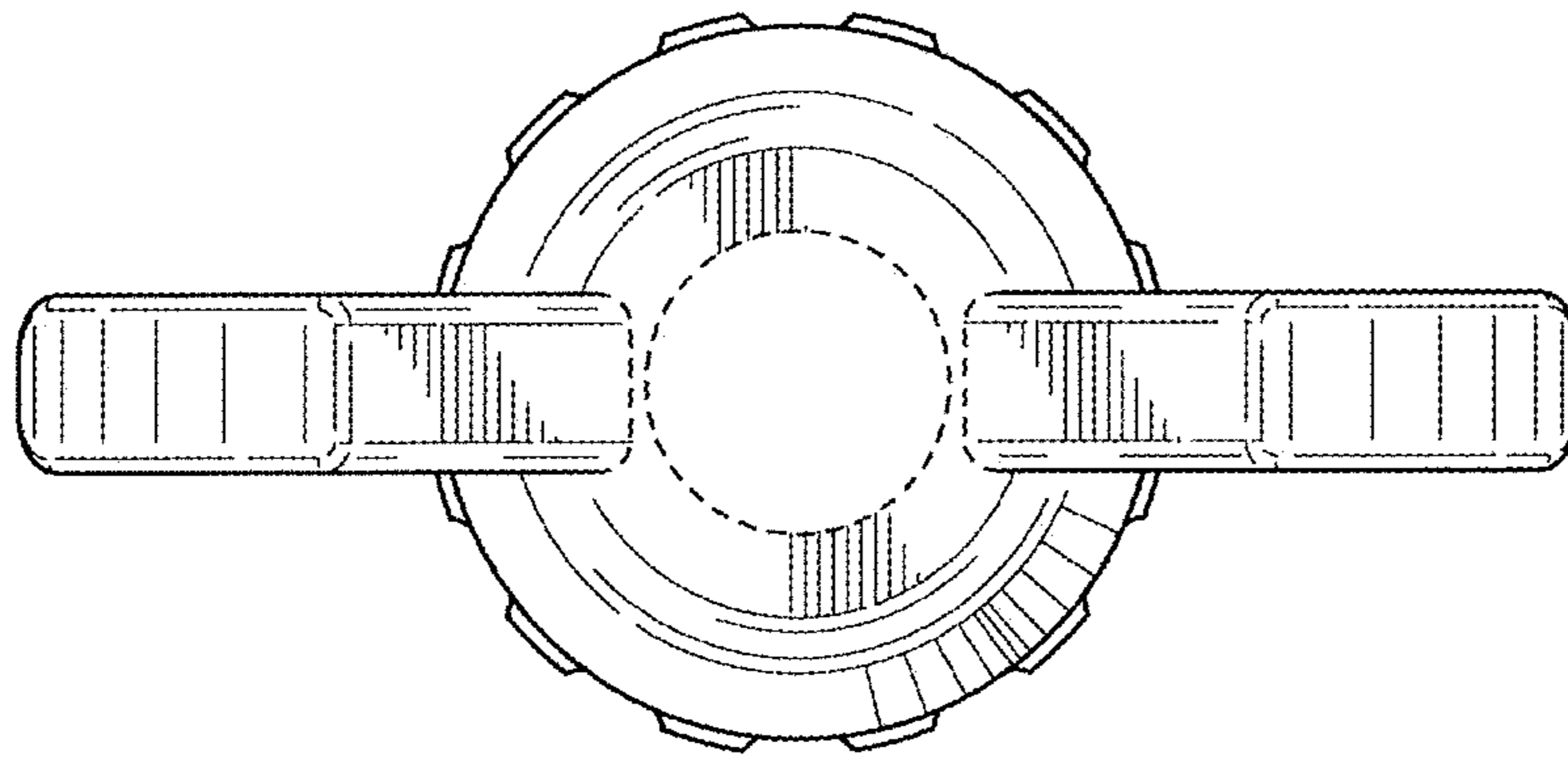


FIG. 3

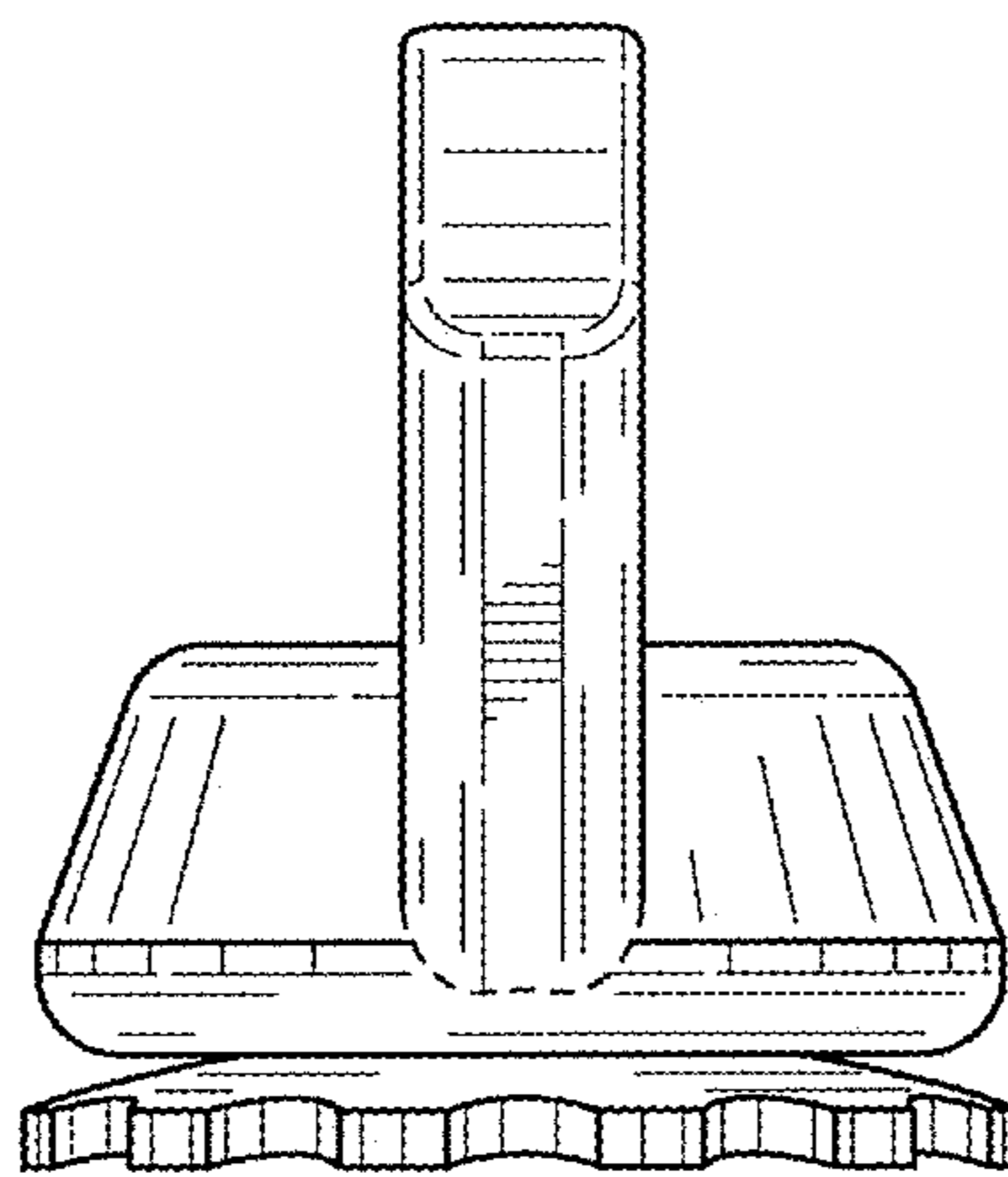


FIG. 4

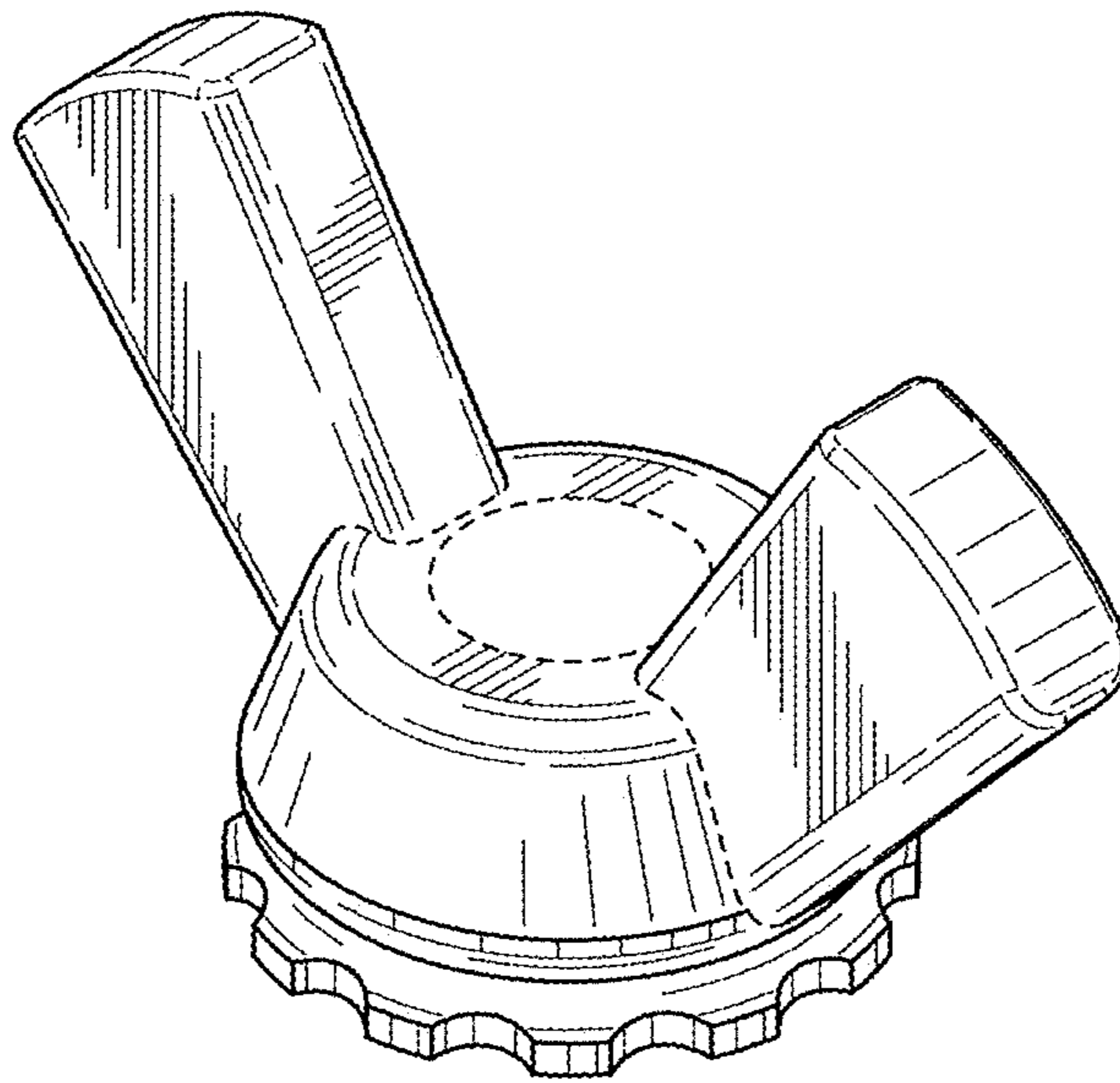


FIG. 5

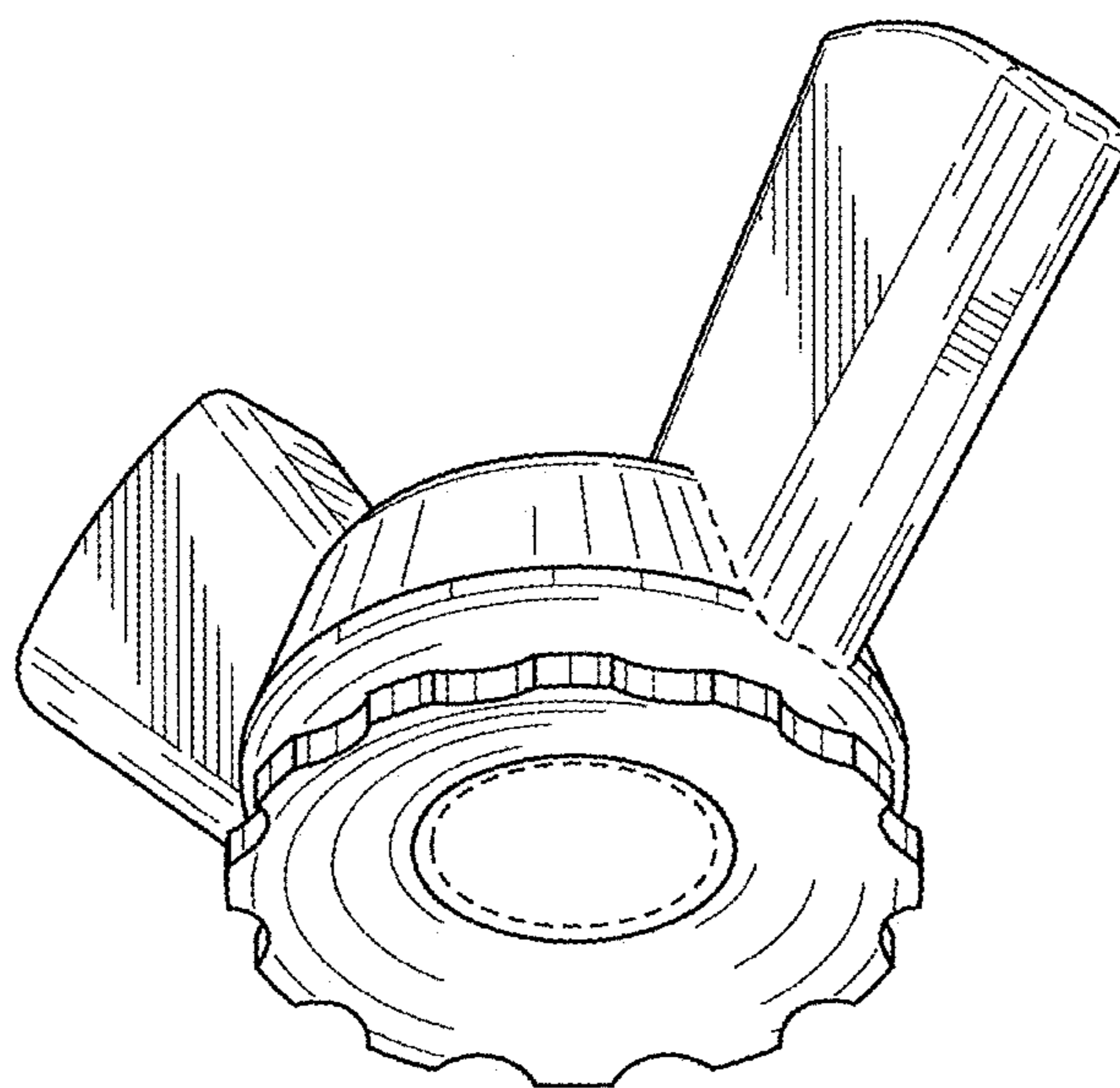


FIG. 6