



US00D900599S

(12) **United States Design Patent** (10) **Patent No.:** **US D900,599 S**  
**Goodfellow et al.** (45) **Date of Patent:** **\*\* Nov. 3, 2020**

(54) **HOOK FOR A ROD FOR USE WITH HANGING FILE HOLDERS**  
(71) Applicant: **LSC COMMUNICATIONS US, LLC**, Chicago, IL (US)  
(72) Inventors: **Andrew Goodfellow**, Phoenix, AZ (US); **David Gruza**, Phoenix, AZ (US); **Christopher Holman**, Mesa, AZ (US); **Candie Harris**, Brookville, NY (US); **Braden Jones**, Phoenix, AZ (US)  
(73) Assignee: **LSC Communications US, LLC**, Chicago, IL (US)  
(\*\*) Term: **15 Years**  
(21) Appl. No.: **29/725,608**  
(22) Filed: **Feb. 26, 2020**

**Related U.S. Application Data**

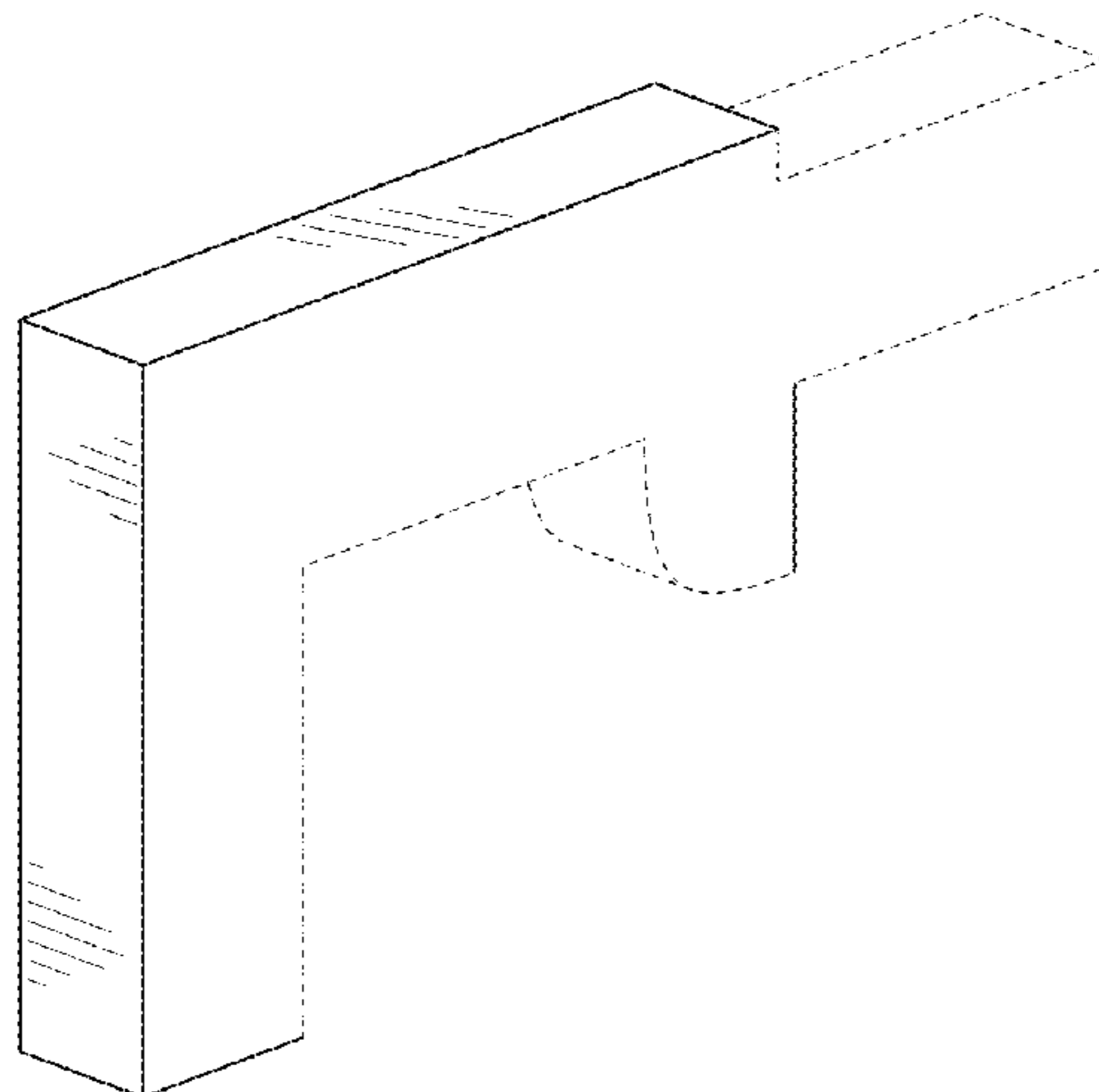
(63) Continuation of application No. 16/785,178, filed on Feb. 7, 2020, which is a continuation of application No. 15/800,487, filed on Nov. 1, 2017, which is a continuation of application No. 15/407,688, filed on Jan. 17, 2017, now Pat. No. 9,809,048, which is a continuation of application No. 11/877,045, filed on Oct. 23, 2007, now Pat. No. 9,573,408.  
(51) **LOC (12) Cl.** ..... **08-05**  
(52) **U.S. Cl.**  
USPC ..... **D8/367**  
(58) **Field of Classification Search**  
USPC ..... D8/367, 354, 349, 356; D12/162; 47/46; D6/315; D19/32; 211/45  
CPC ... A47G 29/083; F16B 45/00; A63B 21/0557; B60P 7/0823; E01F 16/06; B42F 15/0035  
See application file for complete search history.

(56) **References Cited**

**U.S. PATENT DOCUMENTS**

546,647 A 9/1895 Barnes  
1,268,143 A 6/1918 Palmgren

1,348,546 A 8/1920 Cutler  
1,524,348 A 1/1925 Field  
1,867,158 A 7/1932 Kline  
1,867,159 A 7/1932 Kline  
1,953,552 A 4/1934 Dequeker  
2,257,052 A 9/1941 Hanna  
2,325,317 A 7/1943 Hanna  
2,519,996 A 8/1950 Blake  
2,524,743 A 10/1950 Wright  
2,605,769 A 8/1952 Lampel  
2,608,420 A 8/1952 Eck  
2,626,610 A 1/1953 McTavish et al.  
2,631,589 A 3/1953 Zalkind  
2,656,233 A 10/1953 Bollmann  
2,707,610 A 5/1955 Fillion et al.  
2,765,793 A 10/1956 Becker  
2,874,699 A 2/1959 Dunleavy  
2,910,985 A 11/1959 Epstein et al.  
2,983,232 A 5/1961 Henrikson  
3,244,179 A 4/1966 Porteous et al.  
3,255,758 A 6/1966 Gauche  
3,288,144 A 11/1966 Hyams  
3,410,512 A 11/1968 Del Vecchio et al.  
3,424,418 A 1/1969 Freedman et al.  
3,501,019 A 3/1970 Armstrong et al.  
3,524,688 A 8/1970 Dean  
3,572,867 A 3/1971 Cooper  
3,664,051 A 5/1972 Benichou  
3,667,854 A 6/1972 Jonas  
3,684,340 A 8/1972 Kirkorian  
3,779,393 A 12/1973 Grundell  
3,790,242 A 2/1974 Sullivan  
3,801,175 A 4/1974 Giulie  
3,850,488 A 11/1974 Elias  
3,863,828 A 2/1975 King  
3,863,998 A 2/1975 Grundell  
3,865,445 A 2/1975 Dean et al.  
3,885,726 A 5/1975 Fridlund et al.  
3,957,321 A 5/1976 Rose  
3,999,630 A 12/1976 McPhee  
4,031,646 A 6/1977 De Nouel  
4,053,057 A 10/1977 Snowden  
4,056,296 A 11/1977 Hedstrom et al.  
4,103,606 A 8/1978 Gitcho  
4,105,268 A 8/1978 Elias  
4,114,963 A 9/1978 Menahem  
4,181,381 A 1/1980 Amand  
4,209,925 A 7/1980 Brugmann  
4,218,838 A 8/1980 Zippel  
4,236,770 A 12/1980 Moore  
4,256,425 A 3/1981 Burgess et al.  
4,285,555 A 8/1981 Hedstrom et al.  
4,395,058 A 7/1983 Terrell



# US D900,599 S

4,420,086	A	12/1983	Bardes	
4,445,799	A	5/1984	Wright et al.	
4,488,651	A	12/1984	Bishop	
4,489,836	A	12/1984	Terrell	
4,527,694	A	7/1985	Bolt et al.	
4,530,176	A	7/1985	Rejwan	
D285,217	S	8/1986	Smernoff	
4,652,165	A	3/1987	Bertesi et al.	
4,666,047	A	5/1987	Fletcher	
4,703,982	A	11/1987	Rock et al.	
4,842,435	A	6/1989	Thomas et al.	
4,870,767	A	10/1989	Davies	
4,893,745	A	1/1990	Weber et al.	
4,950,096	A	8/1990	Gilder	
4,988,006	A	1/1991	Lundin	
5,042,769	A	8/1991	Smed	
5,048,697	A	9/1991	Payne	
5,052,646	A	10/1991	Hawes, Jr. et al.	
5,066,045	A	11/1991	Hawes, Jr. et al.	
D322,284	S	12/1991	Whaley et al.	
5,082,125	A	1/1992	Ninni	
5,082,404	A	1/1992	Stewart et al.	
5,104,269	A	4/1992	Hardison	
5,154,527	A	10/1992	Blessing	
5,163,768	A	11/1992	Salisbury et al.	
5,197,762	A	3/1993	Abramov	
5,199,809	A	4/1993	Semerjian	
5,255,798	A	10/1993	Aaldenberg et al.	
5,261,636	A	11/1993	Hawes, Jr. et al.	
5,275,439	A	1/1994	Hawes, Jr. et al.	
5,295,622	A	3/1994	Lorber	
5,328,259	A	7/1994	Meriaux	
5,393,136	A	2/1995	Grabowski et al.	
5,393,154	A	2/1995	Hubbell	
5,405,020	A	4/1995	Fotioo	
5,439,280	A	8/1995	Steinberg et al.	
5,515,980	A	5/1996	Fotioo	
5,529,183	A	6/1996	Nishikawa	
5,676,439	A	10/1997	Occhipinti et al.	
5,692,673	A	12/1997	De Safey	
5,722,692	A	3/1998	Abramov	
5,738,319	A *	4/1998	Grassi .....	A47G 7/044 248/215
5,772,020	A	6/1998	Hara	
5,899,626	A	5/1999	Hatano et al.	
5,941,450	A	8/1999	De Safey	
5,942,293	A	8/1999	Occhipinti et al.	
5,944,423	A	8/1999	Rabin et al.	
D415,950	S *	11/1999	Anderson .....	D8/354
5,993,099	A	11/1999	Greenberg et al.	
D417,697	S	12/1999	Long et al.	
6,273,470	B1	8/2001	Bullock	
6,543,737	B2 *	4/2003	Decker .....	A47K 10/185 248/316.1
6,550,874	B2	4/2003	Walla et al.	
6,557,701	B1	5/2003	Chen	
6,588,060	B1	7/2003	Arentsen et al.	
6,619,773	B2	9/2003	Amsterdam	
6,626,602	B1	9/2003	Yuen	
D494,050	S *	8/2004	Klein .....	D6/513
7,059,483	B2 *	6/2006	Scudder .....	B42F 15/0035 211/183
D527,048	S *	8/2006	Scudder .....	D19/32
7,100,775	B2	9/2006	Yeh	
D584,939	S *	1/2009	Snell .....	D8/367
7,614,511	B2	11/2009	Konstant	
D837,295	S *	1/2019	DeCarlo .....	D19/90
D839,721	S *	2/2019	Downey .....	D8/367
D871,987	S *	1/2020	Ness .....	D12/187
D887,257	S *	6/2020	Becker .....	D8/380
2003/0038565	A1	2/2003	Walla et al.	
2005/0199685	A1	9/2005	Mark et al.	
2005/0205650	A1	9/2005	Founds	
2006/0097031	A1	5/2006	Hoogland	
2006/0124480	A1	6/2006	Menard	
2006/0226205	A1	10/2006	O'Leary et al.	
2006/0242869	A1	11/2006	Bunger et al.	
2008/0164302	A1	7/2008	Ho	
2009/0101605	A1	4/2009	Goodfellow et al.	

2017/0120667	A1	5/2017	Goodfellow et al.
2018/0056703	A1	3/2018	Goodfellow et al.
2020/0147994	A1 *	5/2020	Cocco ..... B42F 15/0035

## FOREIGN PATENT DOCUMENTS

EP	1535752	6/2005
EP	1607236	12/2005
FR	2411092	7/1979
JP	03024997	2/1991

## OTHER PUBLICATIONS

Chinese Patent Office, "Office action," issued in connection with Chinese patent application No. 200810170099.4, dated Mar. 5, 2012, 8 pages.

United States Patent and Trademark Office, "Notice of Allowance and Fee(s) Due", issued in connection with U.S. Appl. No. 11/877,045, dated Nov. 4, 2016, 29 pages.

United States Patent and Trademark Office, "Decision on Appeal", issued in connection with U.S. Appl. No. 11/877,045, dated Oct. 24, 2016, 12 pages.

United States Patent and Trademark Office, "Record of Oral Hearing", issued in connection with U.S. Appl. No. 11/877,045, dated Oct. 13, 2016, 14 pages.

United States Patent and Trademark Office, "Examiner's Answer to Appeal Brief", issued in connection with U.S. Appl. No. 11/877,045, dated Dec. 23, 2013, 23 pages.

United States Patent and Trademark Office, "Non-Final office action", issued in connection with U.S. Appl. No. 11/877,045, dated Feb. 28, 2013, 56 pages.

United States Patent and Trademark Office, "Final office action", issued in connection with U.S. Appl. No. 11/877,045, dated Oct. 27, 2011, 46 pages.

United States Patent and Trademark Office, "Non-Final office action", issued in connection with U.S. Appl. No. 11/877,045, dated Feb. 2, 2011, 37 pages.

United States Patent and Trademark Office, "Final office action", issued in connection with U.S. Appl. No. 11/877,045, dated Apr. 14, 2010, 32 pages.

United States Patent and Trademark Office, "Non-Final office action", issued in connection with U.S. Appl. No. 11/877,045, dated Oct. 16, 2009, 46 pages.

United States Patent and Trademark Office, "Restriction Requirement", issued in connection with U.S. Appl. 11/877,045, dated Sep. 21, 2009, 7 pages.

State Intellectual Property Office of the People's Republic of China, "Rejection Decision", issued in connection with Chinese patent application No. 200810170099.4, dated Mar. 5, 2012, 8 pages.

State Intellectual Property Office of the People's Republic of China, "Notification of the First office action", issued in connection with Chinese patent application No. 200810170099.4, dated Jan. 30, 2011, 11 pages.

State Intellectual Property Office of the People's Republic of China, "Notification of the Second office action", issued in connection with Chinese patent application No. 200810170099.4, dated Jul. 11, 2011, 8 pages.

European Patent Office, "The Extended European Search Report", issued in connection with European patent application No. 08166326.2, dated Mar. 6, 2009, 2 pages.

United States Patent and Trademark Office, "Non-Final Office action", issued in connection with U.S. Appl. No. 15/407,688, dated Feb. 24, 2017, 44 pages.

United States Patent and Trademark Office, "Final Office action", issued in connection with U.S. Appl. No. 15/407,688, dated Apr. 28, 2017, 32 pages.

United States Patent and Trademark Office, "Notice of Allowance", issued in connection with U.S. Appl. No. 15/407,688, dated Jul. 6, 2017, 29 pages.

United States Patent and Trademark Office, "Final Office action", issued in connection with U.S. Appl. No. 15/800,487, dated Jan. 28, 2020, 44 pages.

United States Patent and Trademark Office, “Non-Final Office action”, issued in connection with U.S. Appl. No. 15/800,487, dated Jul. 29, 2019, 39 pages.

United States Patent and Trademark Office, “Advisory action”, issued in connection with U.S. Appl. No. 15/800,487, dated Mar. 18, 2019, 5 pages.

United States Patent and Trademark Office, “Final Office action”, issued in connection with U.S. Appl. No. 15/800,487, dated Nov. 26, 2018, 35 pages.

United States Patent and Trademark Office, “Non-Final Office action”, issued in connection with U.S. Appl. No. 15/800,487, dated Nov. 26, 2018, 25 pages.

United States Patent and Trademark Office, “Requirement for Restriction”, issued in connection with U.S. Appl. No. 15/800,487, dated Feb. 14, 2018, 6 pages.

\* cited by examiner

*Primary Examiner* — Cynthia R Underwood  
(74) *Attorney, Agent, or Firm* — Hanley, Flight and  
Zimmerman, LLC

(57)

**CLAIM**

The ornamental design for “a hook for a rod for use with hanging file holders,” as shown and described.

**DESCRIPTION**

FIG. 1 is a front, left, perspective view of a hook for a rod for use with hanging file holders.

FIG. 2 is a front view of the hook of FIG. 1.

FIG. 3 is a top view of the hook of FIG. 1.

FIG. 4 is a left side view of the hook of FIG. 1; and,

FIG. 5 is a front, left, perspective view of the hook of FIG. 1 showing a portion of a hanging file holder for environment.

The rear, bottom, and right views do not form part of the claimed design.

The features shown in broken lines form no part of the claimed design.

**1 Claim, 3 Drawing Sheets**

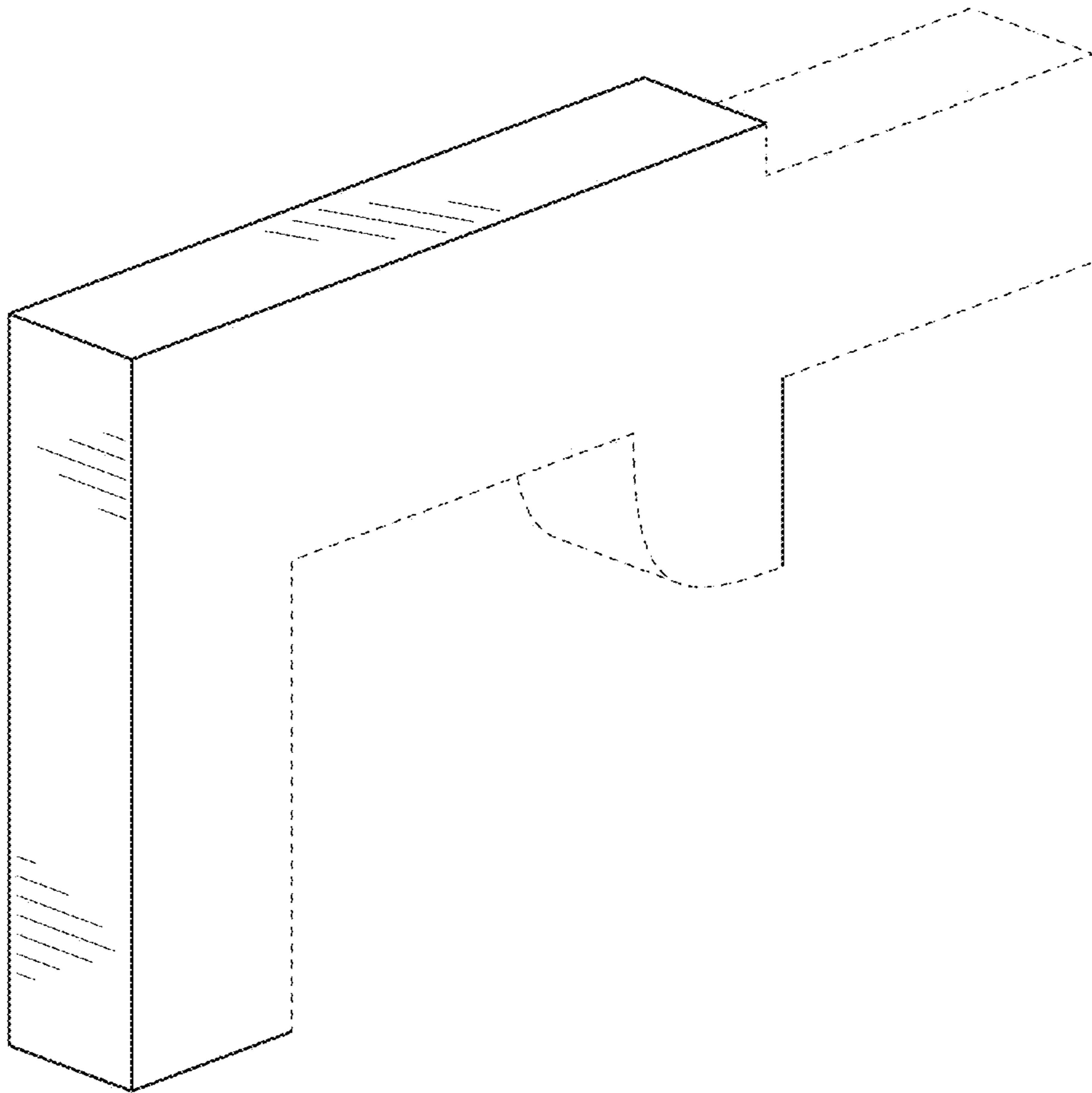


FIG. 1

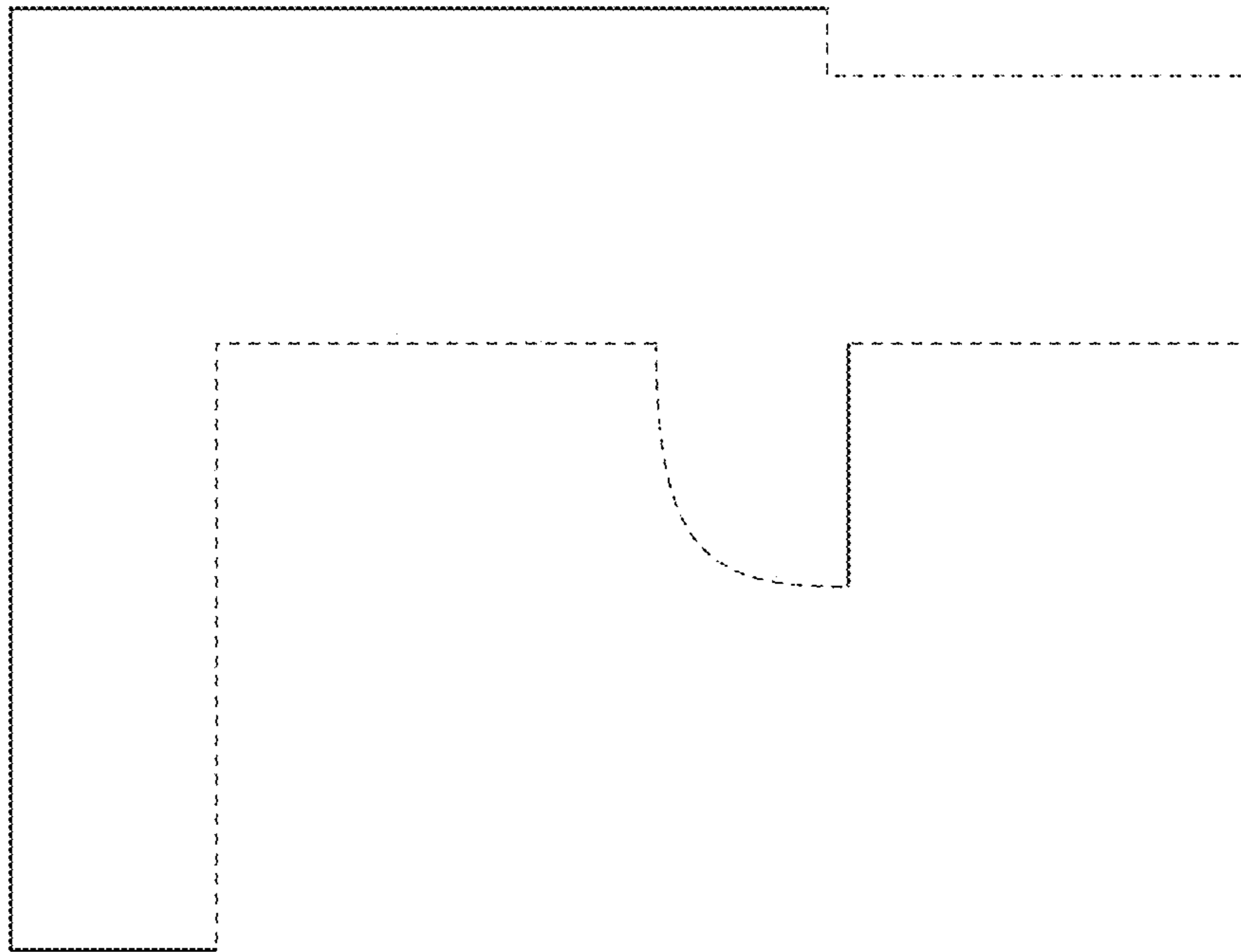


FIG. 2

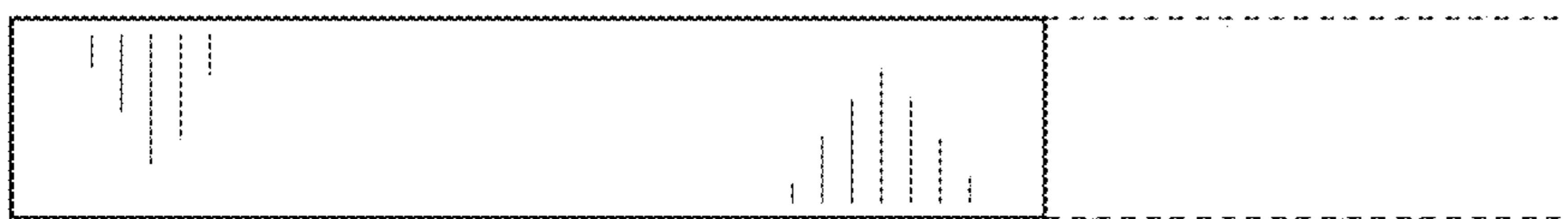


FIG. 3



FIG. 4

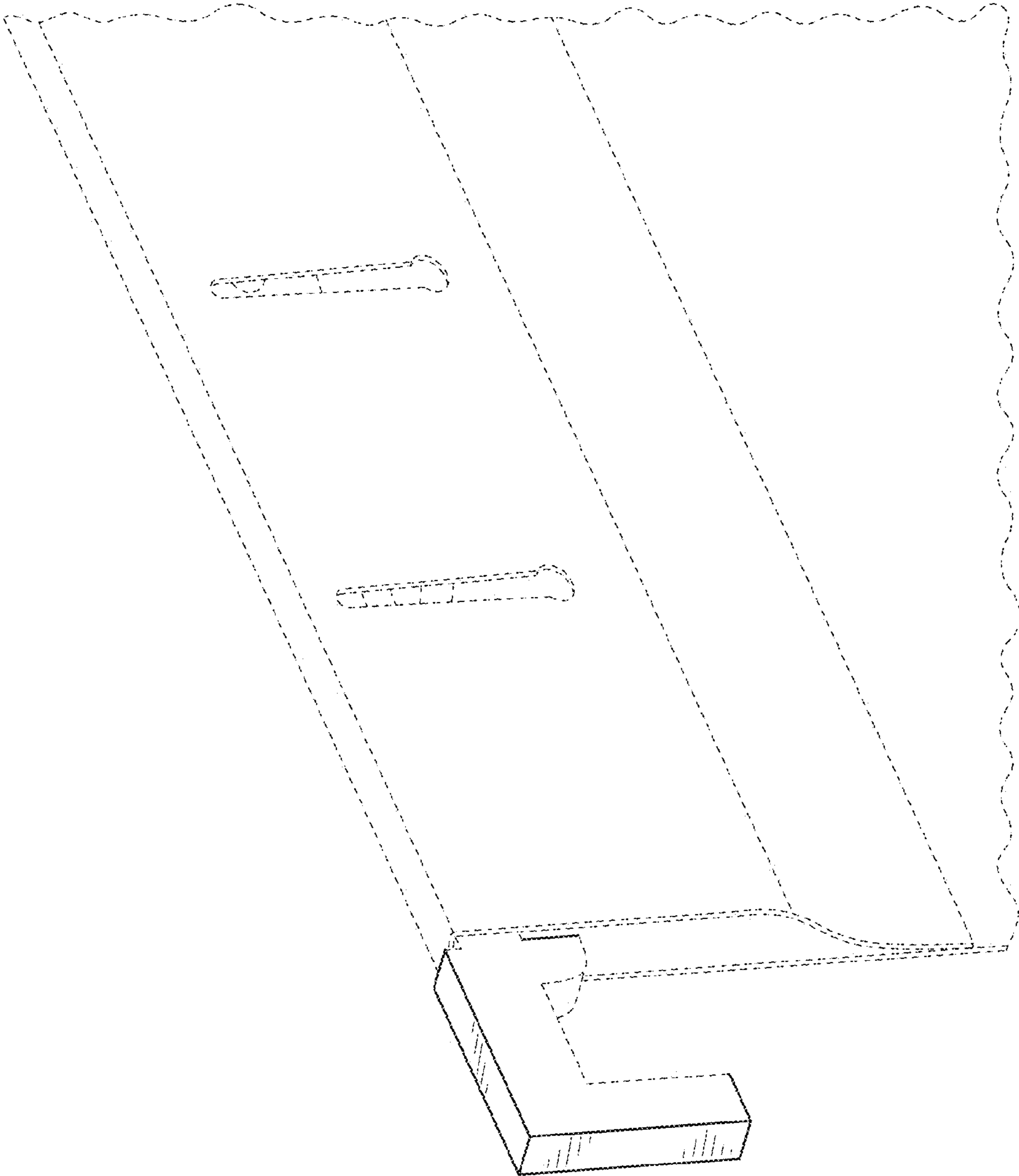


FIG. 5