



US00D900598S

(12) **United States Design Patent** (10) **Patent No.:** **US D900,598 S**
Seum et al. (45) **Date of Patent:** **** Nov. 3, 2020**

(54) **ROBE HOOK**
(71) Applicant: **Grohe AG**, Hemer (DE)
(72) Inventors: **Michael Seum**, Duesseldorf (DE);
Jacob Nitz, Brooklyn, NY (US)
(73) Assignee: **Grohe AG**, Hemer (DE)
(**) Term: **15 Years**

(21) Appl. No.: **29/693,804**
(22) Filed: **Jun. 5, 2019**

(30) **Foreign Application Priority Data**

Dec. 5, 2018 (EM) 005844156-0017

(51) **LOC (12) Cl.** **08-05**

(52) **U.S. Cl.**
USPC **D8/367**

(58) **Field of Classification Search**
USPC D8/367, 354, 349, 356; D12/162; 47/46;
D6/315, 323
CPC ... A47G 29/083; F16B 45/00; A63B 21/0557;
B60P 7/0823; E01F 16/06; B42F 15/0035
See application file for complete search history.

(56) **References Cited**

U.S. PATENT DOCUMENTS

D338,151 S * 8/1993 Paulin D8/367
D454,045 S * 3/2002 Rinner D8/107

D553,481 S * 10/2007 Kubota D8/367
D573,825 S * 7/2008 Rubin D6/546
D753,987 S * 4/2016 Bernstein D8/367
D818,352 S * 5/2018 Kundig D8/367
D827,419 S * 9/2018 Hopkins F16B 45/00
D827,422 S * 9/2018 Kundig D8/382
D858,116 S * 9/2019 Wierbicki D6/323
D884,368 S * 5/2020 Yoon D6/319

* cited by examiner

Primary Examiner — Cynthia R Underwood

(74) *Attorney, Agent, or Firm* — Muncy, Geissler, Olds & Lowe, P.C.

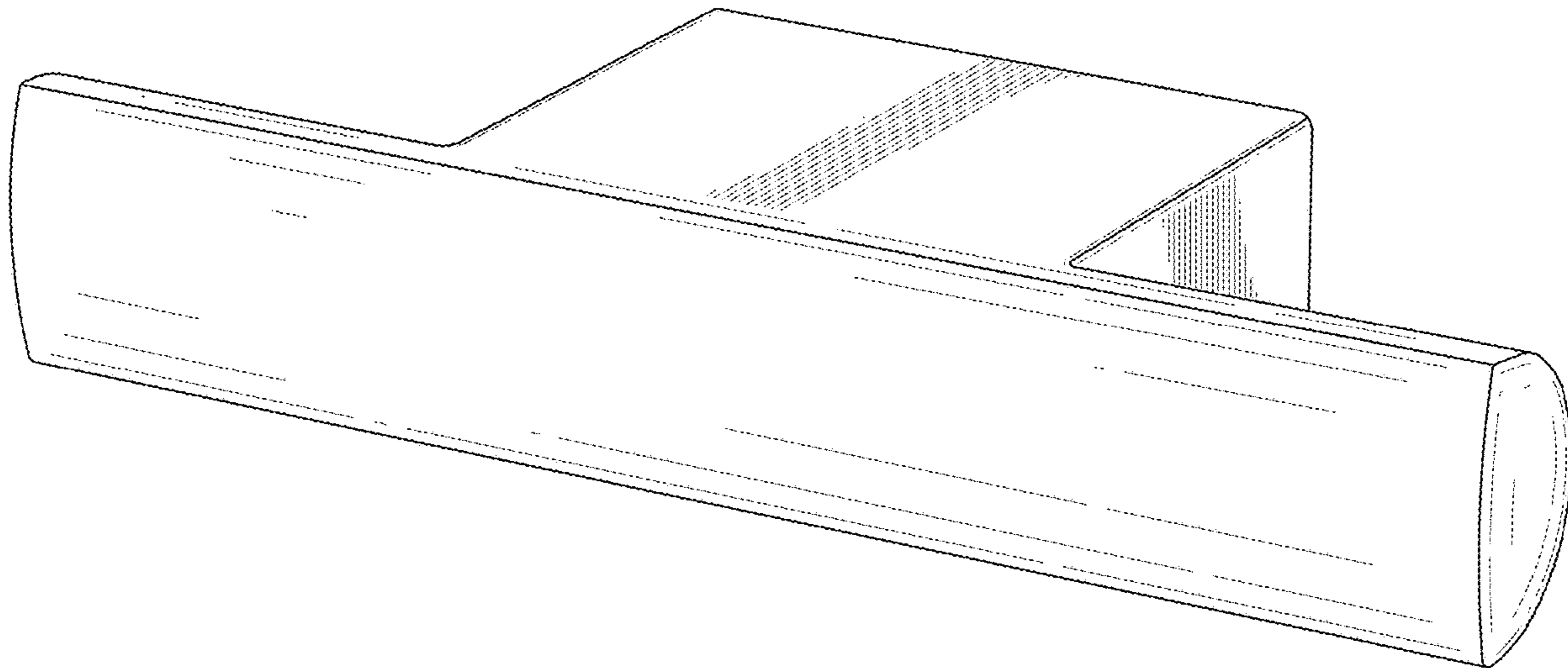
(57) **CLAIM**

The ornamental design for a robe hook, as shown and described.

DESCRIPTION

FIG. 1 is a front perspective view of a robe hook according to the present invention.
FIG. 2 is a front view of the robe hook of FIG. 1.
FIG. 3 is a rear view of the robe hook of FIG. 1.
FIG. 4 is a left side view of the robe hook of FIG. 1.
FIG. 5 is a right side view of the robe hook of FIG. 1.
FIG. 6 is a top view of the robe hook of FIG. 1; and,
FIG. 7 is a bottom view of the robe hook of FIG. 1.
The dashed lines illustrate environment that does not form a part of the present invention, and no claim is made to the material illustrated with dashed lines.

1 Claim, 7 Drawing Sheets



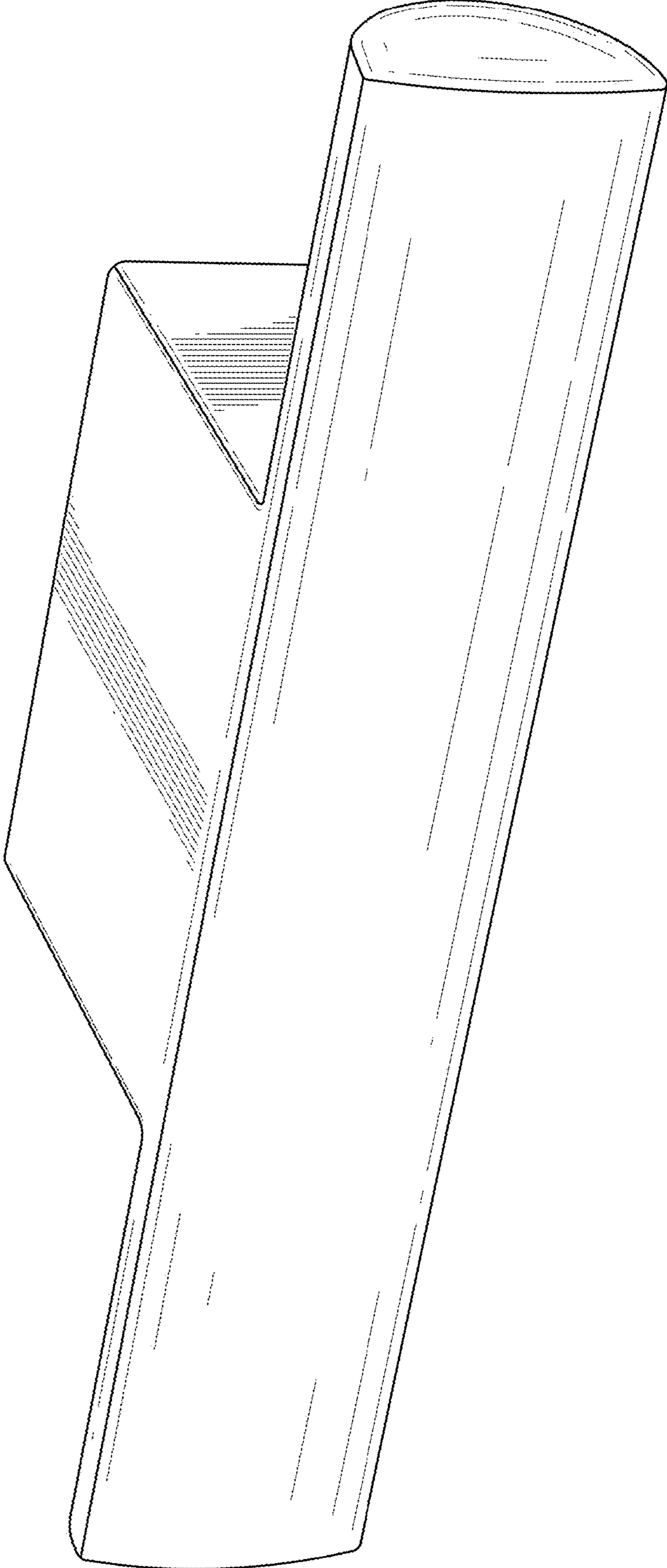


FIG. 1

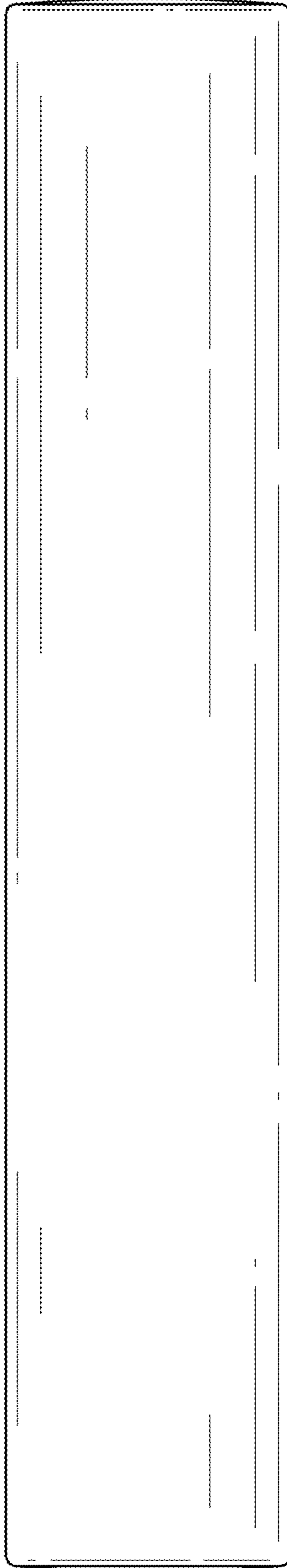


FIG.2

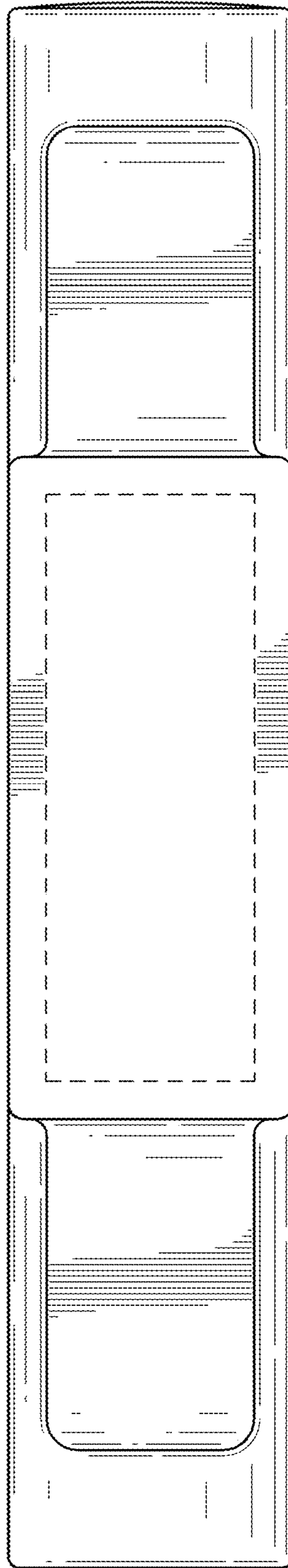


FIG.3

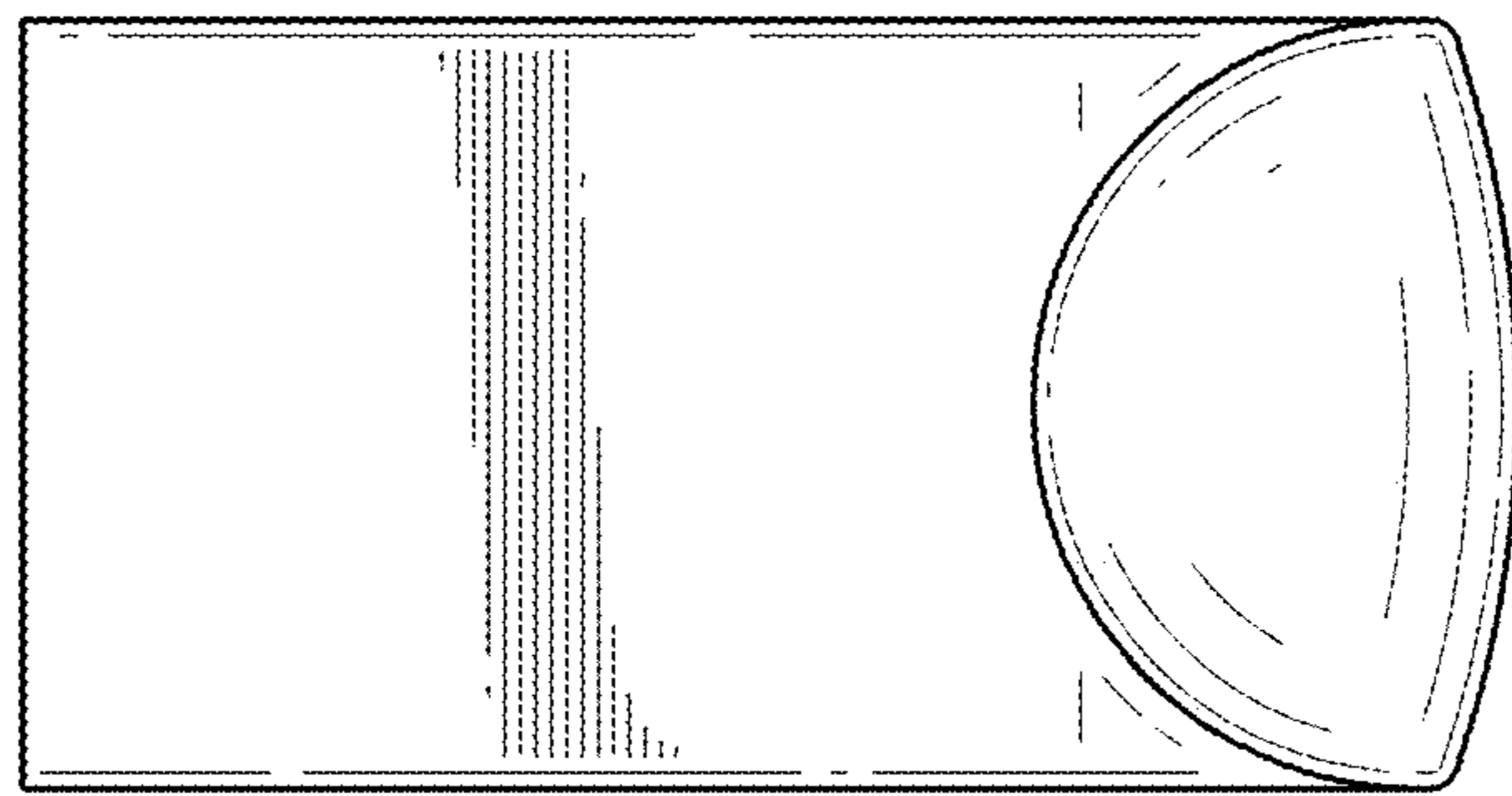


FIG.4

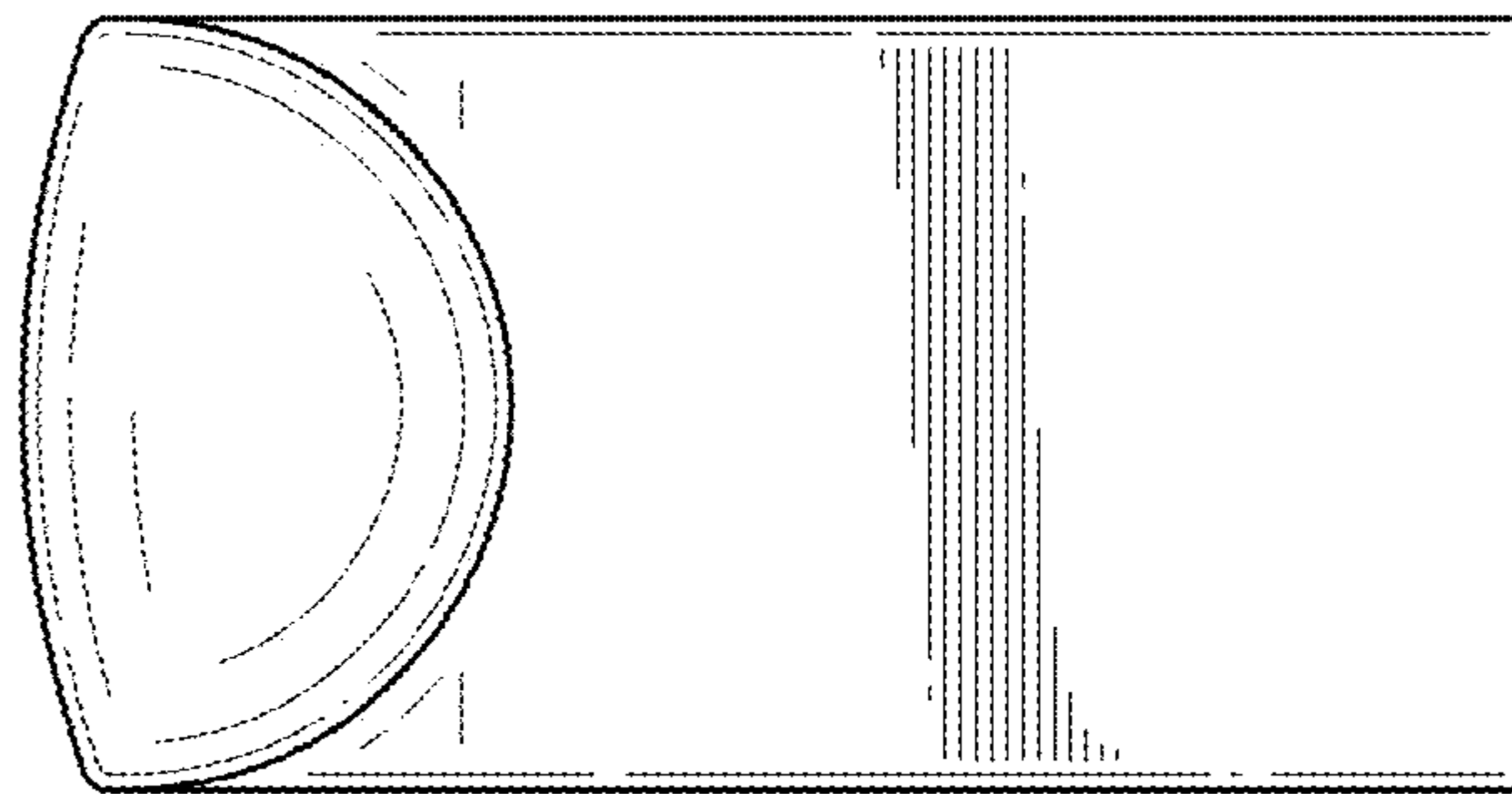


FIG.5

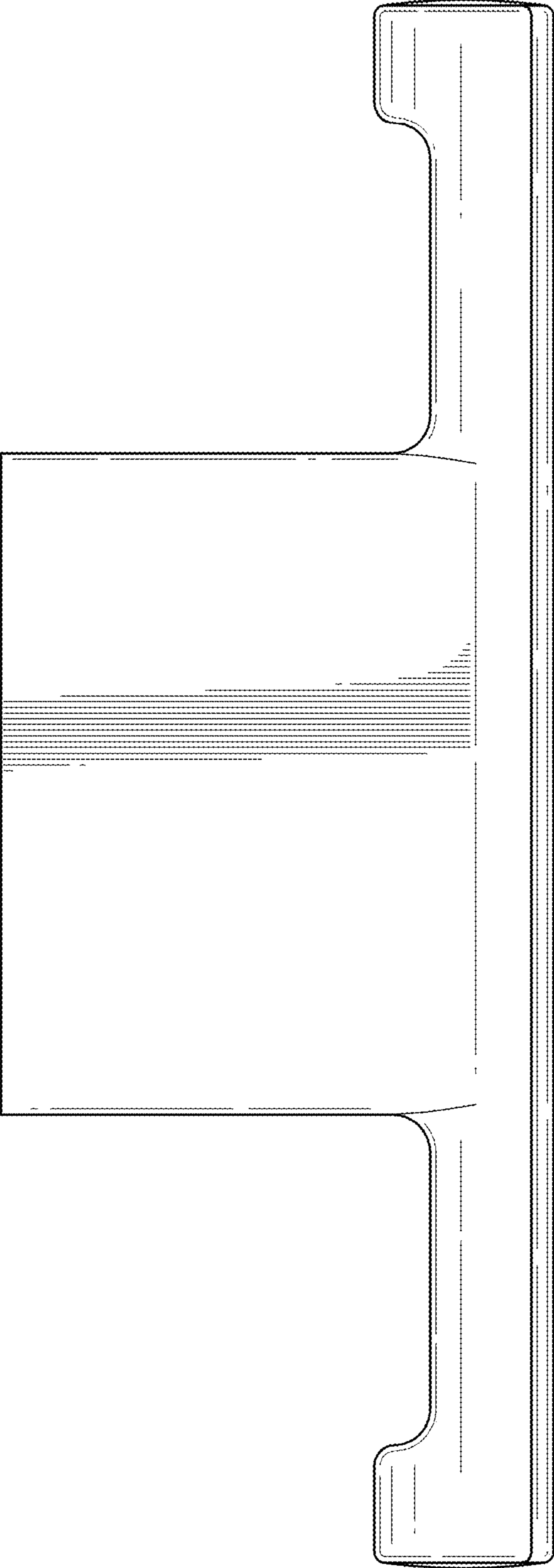


FIG.6

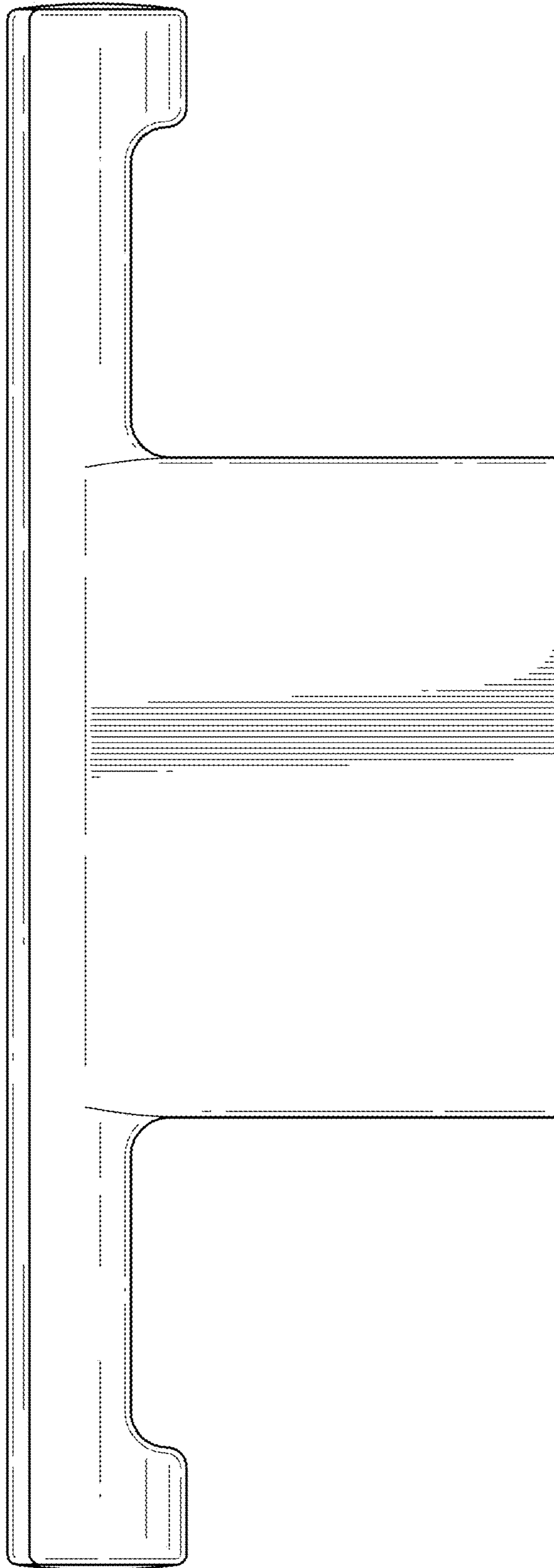


FIG.7