



US00D900597S

(12) **United States Design Patent** (10) **Patent No.:** **US D900,597 S**  
**Lee** (45) **Date of Patent:** **\*\* Nov. 3, 2020**

(54) **OVER-THE-DOOR HANGER**  
(71) Applicant: **HLD GLOBAL LIMITED**, Hong Kong (HK)  
(72) Inventor: **Po Sum Lee**, Hong Kong (HK)  
(73) Assignee: **HLD GLOBAL LIMITED**, Kowloon (HK)  
(\*\*) Term: **15 Years**  
(21) Appl. No.: **29/684,668**  
(22) Filed: **Mar. 22, 2019**  
(51) **LOC (12) Cl.** ..... **09-06**  
(52) **U.S. Cl.**  
USPC ..... **D8/367**  
(58) **Field of Classification Search**  
USPC ..... D8/367, 354, 349, 356; D12/162; 47/46; D6/315  
CPC ... A47G 29/083; F16B 45/00; A63B 21/0557; B60P 7/0823; E01F 16/06  
See application file for complete search history.

6,457,218 B1 \* 10/2002 Lawrence ..... B42F 1/10 24/3.12  
6,543,737 B2 \* 4/2003 Decker ..... A47K 10/185 248/316.1  
D478,499 S \* 8/2003 Winig ..... D8/367  
D494,050 S \* 8/2004 Klein ..... D6/513  
7,234,671 B2 \* 6/2007 Avinger ..... A01G 5/04 248/215  
D584,939 S \* 1/2009 Snell ..... D8/367  
D597,666 S \* 8/2009 George ..... D24/128  
D605,934 S \* 12/2009 Mirer ..... D8/395  
D613,589 S \* 4/2010 Goodman ..... D8/367  
7,992,833 B1 \* 8/2011 Goodman ..... A47G 25/0614 248/298.1  
D694,613 S \* 12/2013 Miles ..... D8/367  
D697,785 S \* 1/2014 Davis ..... D8/367

(Continued)

*Primary Examiner* — Cynthia R Underwood  
(74) *Attorney, Agent, or Firm* — Abelman, Frayne & Schwab

(57) **CLAIM**

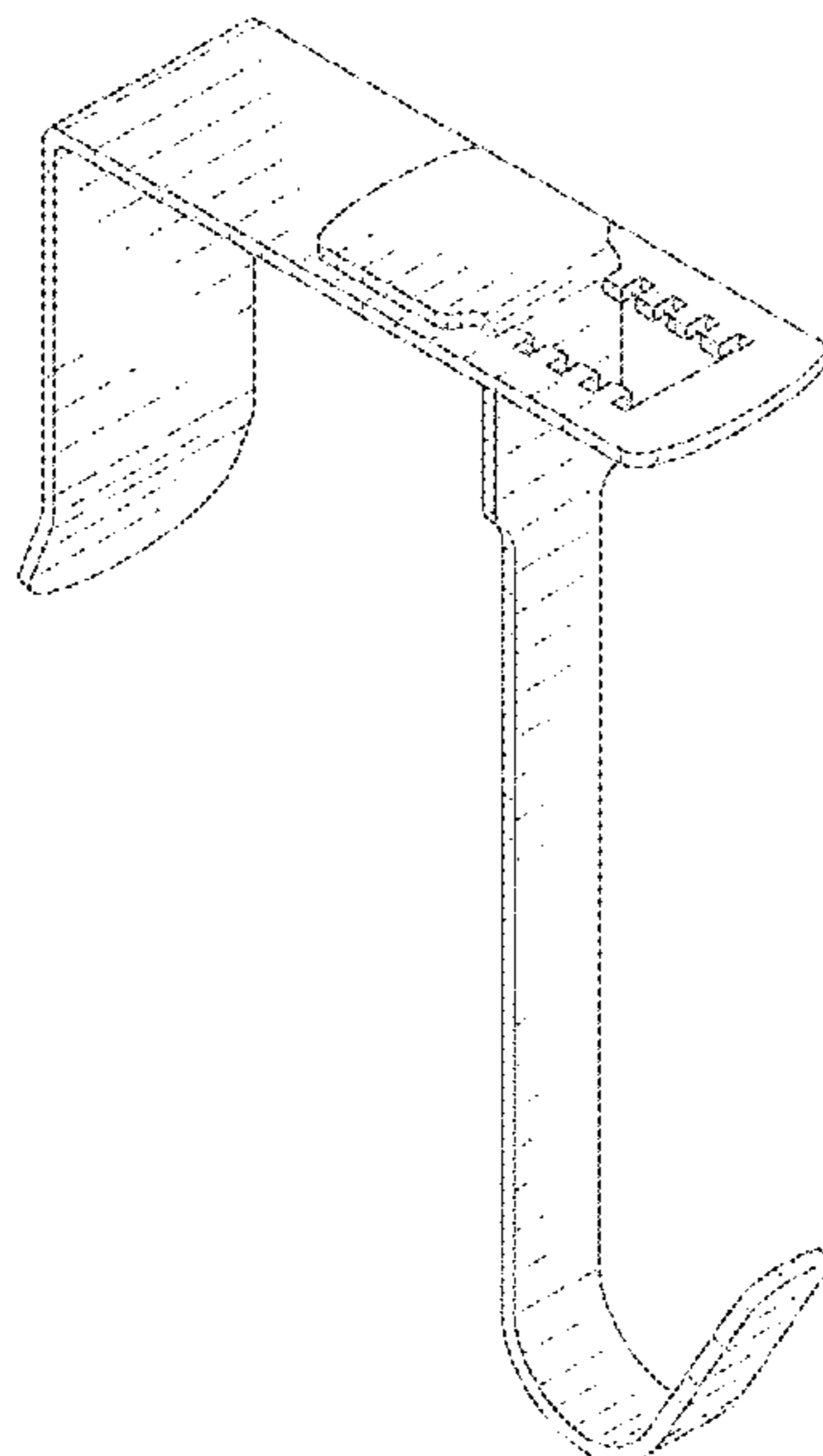
The ornamental design for an over-the-door hanger, as shown and described.

**DESCRIPTION**

FIG. 1 is a top, front, left side perspective view of the over-the-door-hanger of my invention;  
FIG. 2 is a front elevation view thereof;  
FIG. 3 is a rear elevation thereof;  
FIG. 4 is a left side elevation thereof;  
FIG. 5 is a right side elevation thereof;  
FIG. 6 is a top plan view thereof;  
FIG. 7 is a bottom plan view thereof;  
FIG. 8 is a perspective view thereof, shown in an environment of use on the top edge of a door; and,  
FIG. 9 is a perspective view thereof, shown in another environment of use supporting a closet organizer.  
The broken lines form no part of the claim.

**1 Claim, 7 Drawing Sheets**

(56) **References Cited**  
U.S. PATENT DOCUMENTS  
2,284,029 A \* 5/1942 Welling ..... A45F 5/08 224/217  
2,453,392 A \* 11/1948 Williams ..... A01D 46/243 224/197  
3,089,597 A \* 5/1963 Kaplan ..... A47K 10/185 221/46  
D342,889 S \* 1/1994 Adams ..... D8/367  
D363,453 S \* 10/1995 Herdt ..... D11/78.1  
D373,526 S \* 9/1996 Roethler ..... D8/367  
D391,146 S \* 2/1998 Cutler ..... D8/367  
5,738,319 A \* 4/1998 Grassi ..... A47G 7/044 248/215  
5,970,777 A \* 10/1999 Hunt ..... B42F 1/06 29/13



(56)

**References Cited**

U.S. PATENT DOCUMENTS

8,672,002	B2 *	3/2014	Stein .....	A45C 13/001 150/104
D714,626	S *	10/2014	Trifari, Jr. ....	D8/354
D721,264	S *	1/2015	Babicki .....	D8/367
D746,127	S *	12/2015	Cohen .....	D8/367
D757,513	S *	5/2016	Heins .....	D8/40
9,375,074	B2 *	6/2016	Moreau .....	A45F 5/02
D766,707	S *	9/2016	Greenleaf .....	D8/367
9,433,261	B1 *	9/2016	Miles .....	A44B 13/0029
D773,041	S *	11/2016	Lentsch .....	D24/128
D784,044	S *	4/2017	Sokoly .....	D6/552
D802,399	S *	11/2017	Ward .....	D8/367
D804,197	S *	12/2017	Segasby .....	D6/315
D819,431	S *	6/2018	Goodman .....	D8/367
D827,315	S *	9/2018	Taylor .....	D6/323
D834,338	S *	11/2018	Taylor .....	D6/323
10,130,203	B2 *	11/2018	Yoo .....	A47G 19/22
D837,040	S *	1/2019	Connor .....	D8/367
D840,791	S *	2/2019	Caudle .....	D8/367
D844,782	S *	4/2019	Arora .....	D24/130
D849,516	S *	5/2019	Johnson .....	D8/367
D850,244	S *	6/2019	Goodman .....	D8/367
D858,261	S *	9/2019	Gong .....	D8/367
D864,698	S *	10/2019	Wilson .....	A45F 5/102 D8/367
D867,768	S *	11/2019	Wright .....	D6/315
2004/0178240	A1 *	9/2004	Bauer .....	A45F 5/02 224/268
2015/0150389	A1 *	6/2015	Nilsson .....	B25H 3/04 248/220.42

\* cited by examiner

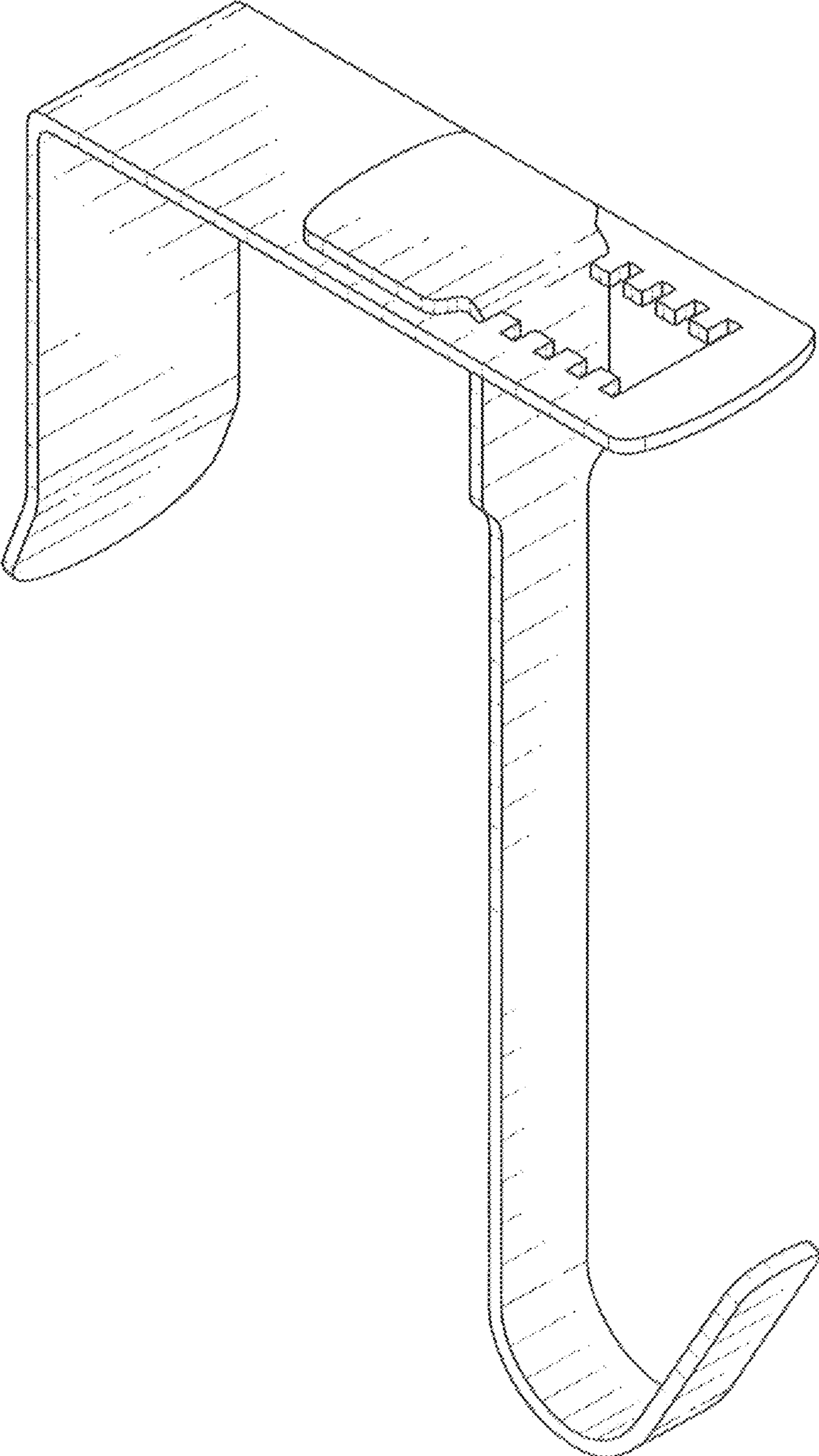


FIG. 1

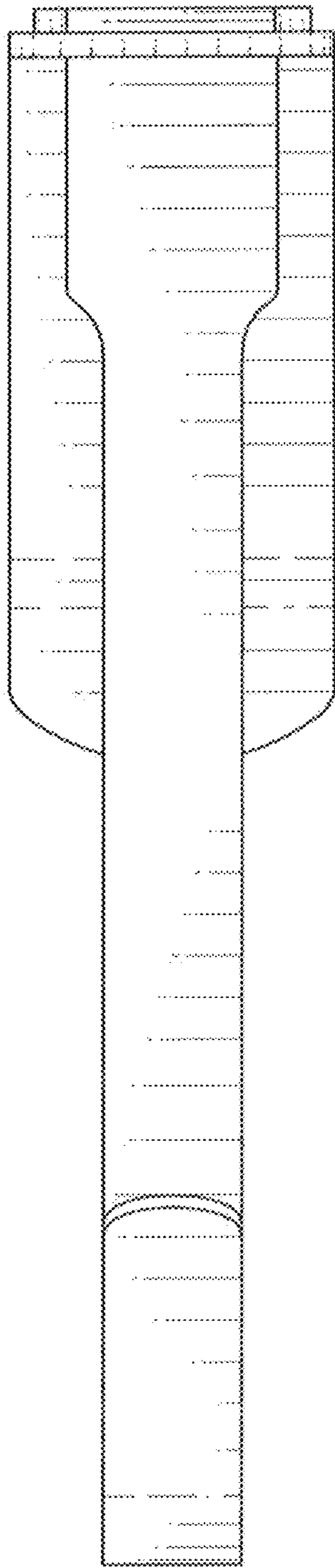


FIG. 2

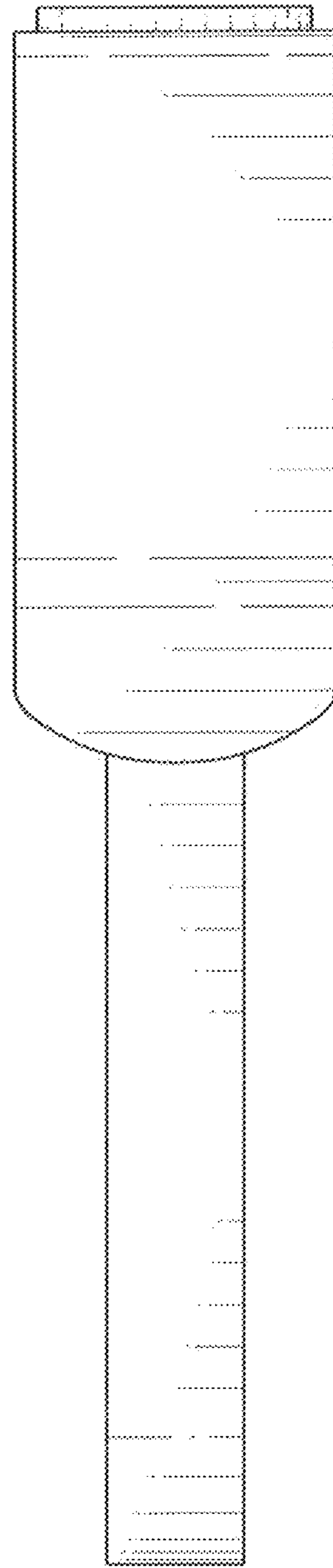


FIG. 3

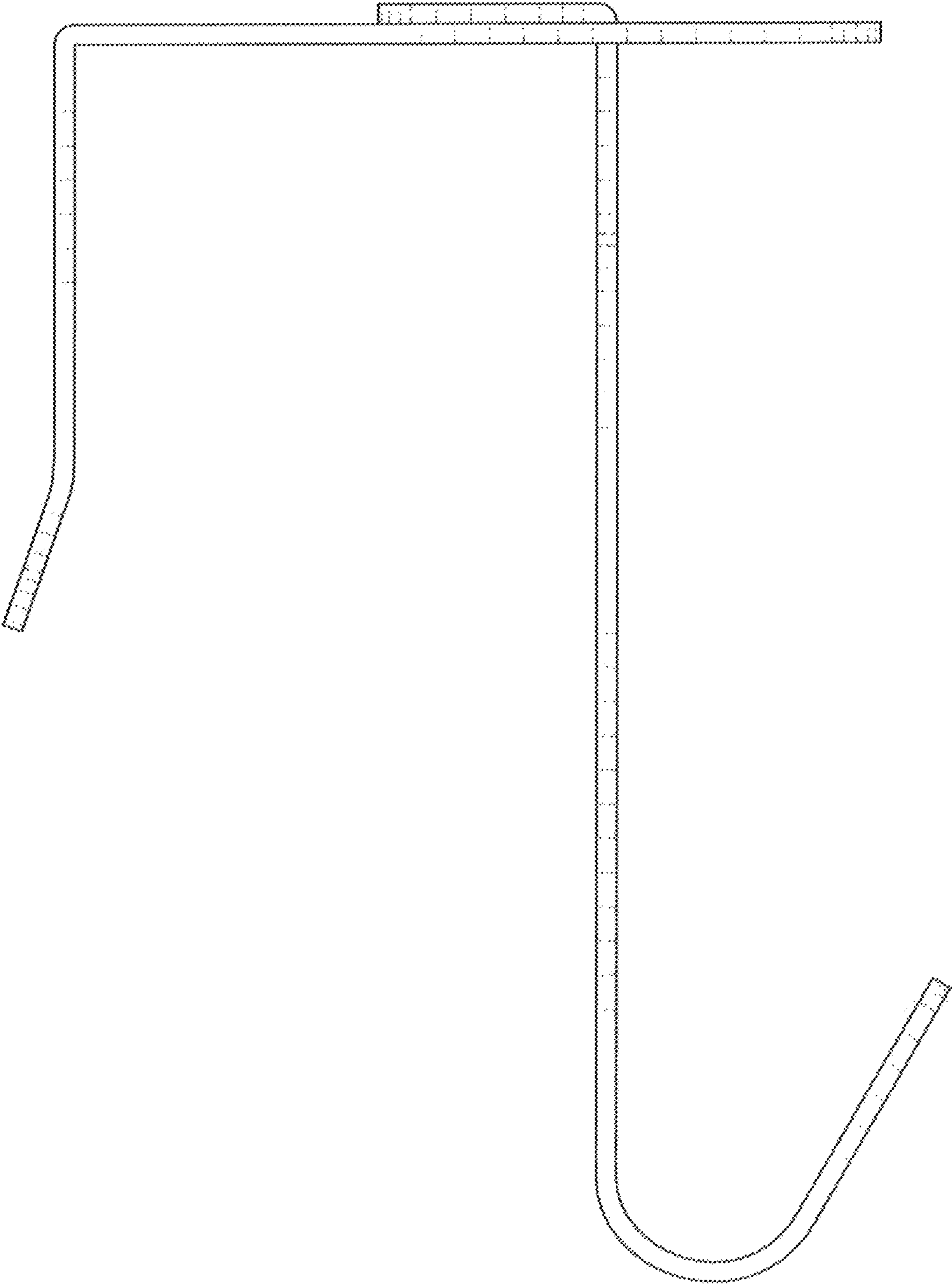


FIG. 4

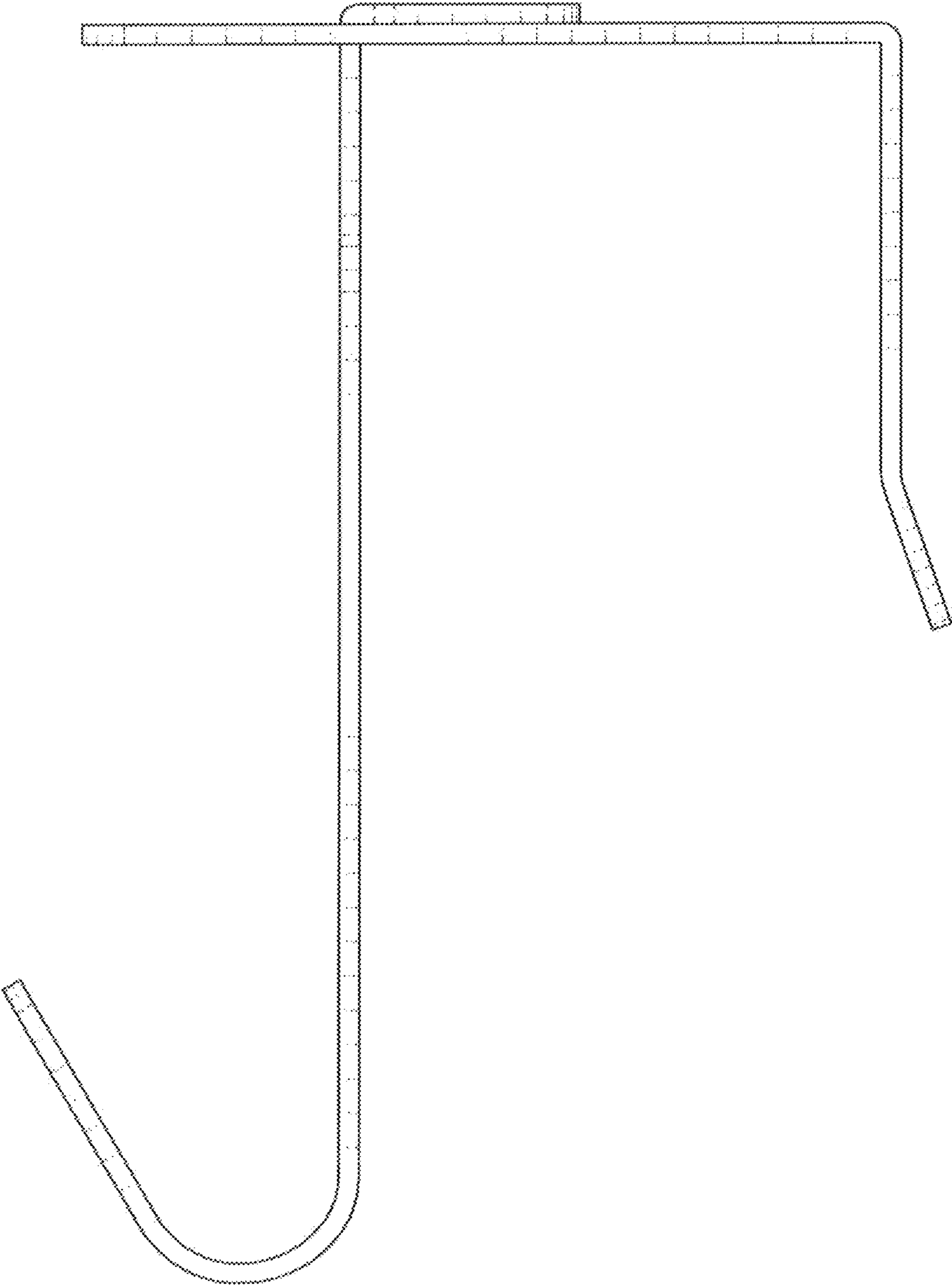


FIG. 5

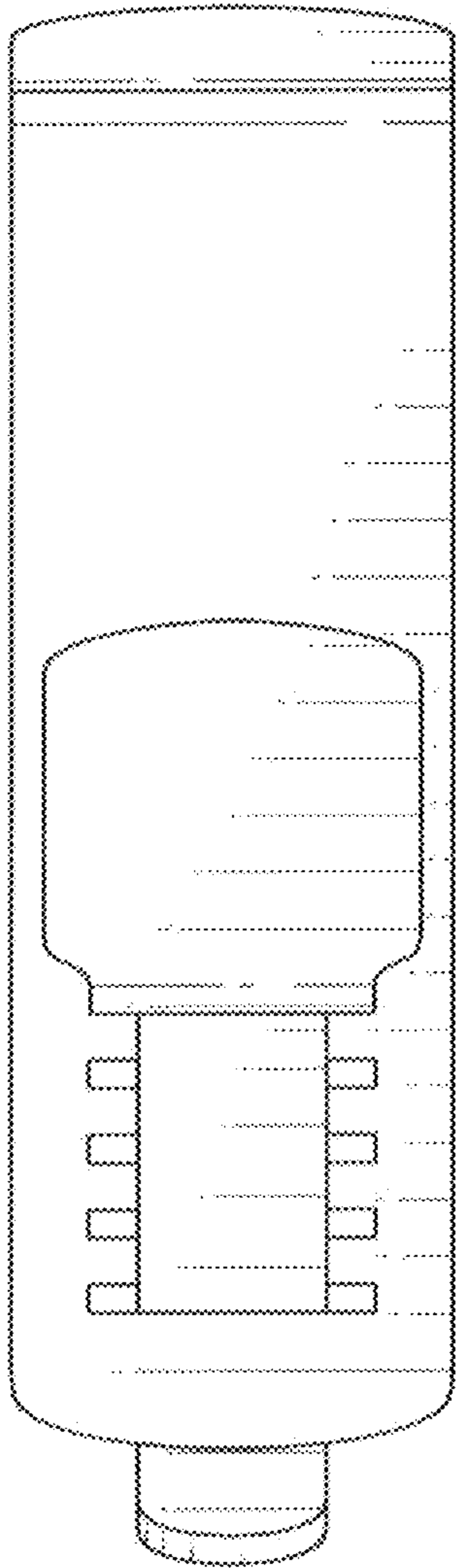


FIG. 6

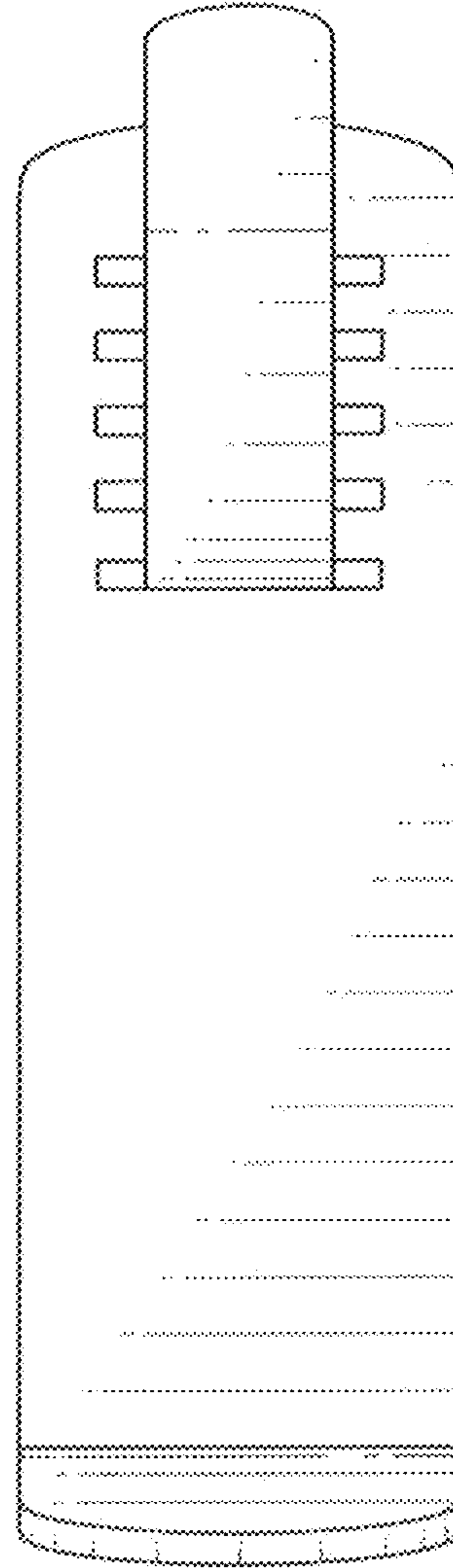


FIG. 7

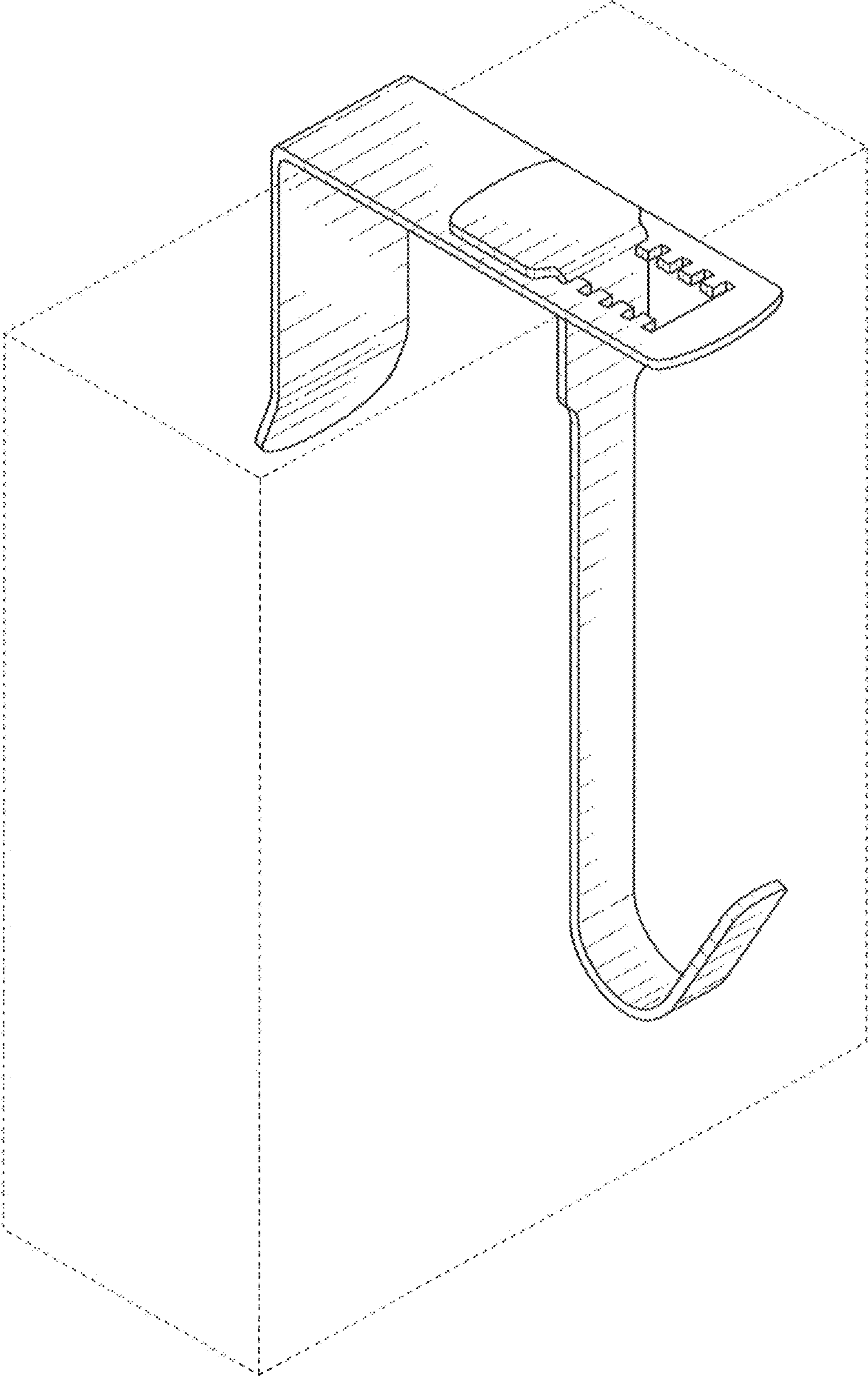


FIG. 8



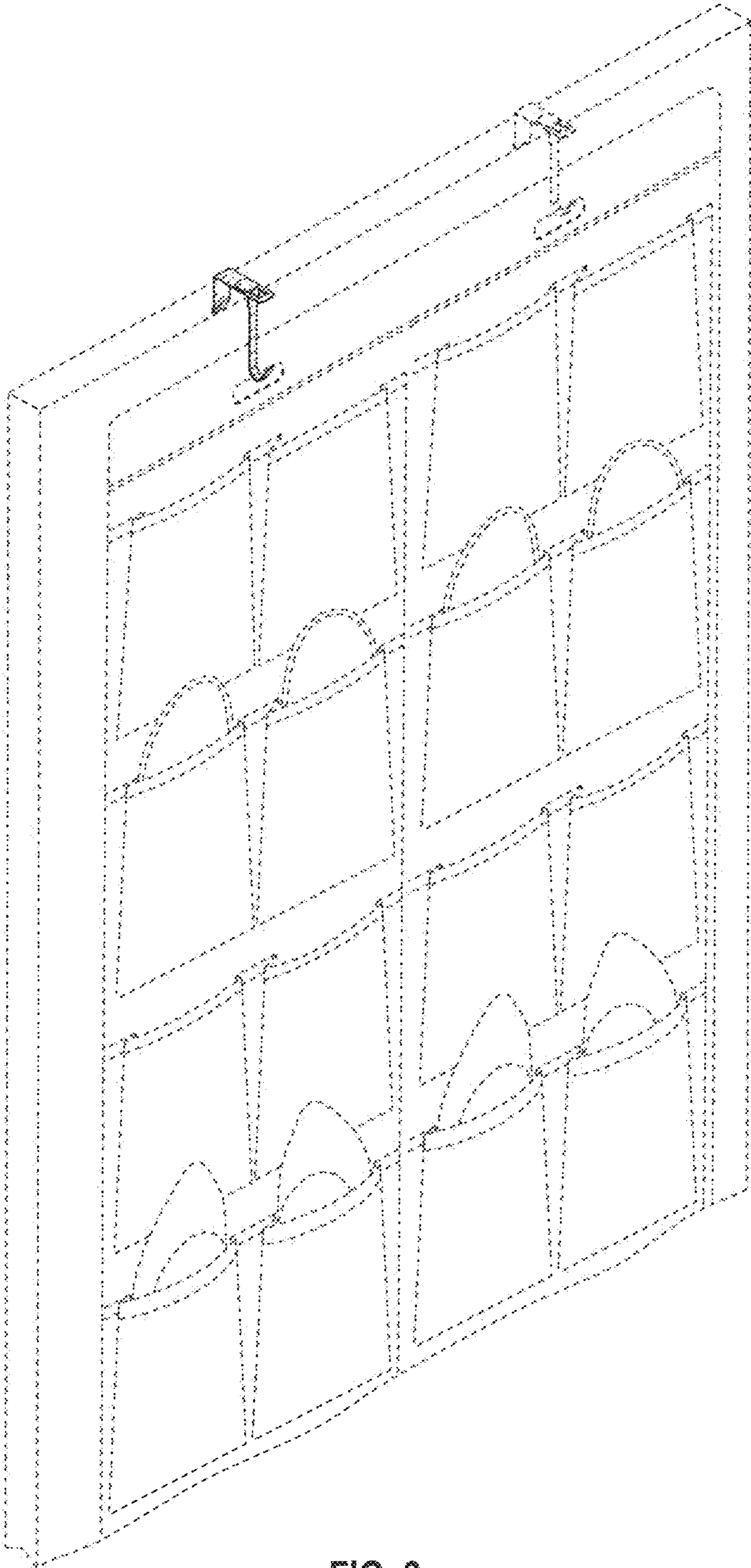


FIG. 9