



US00D900593S

(12) **United States Design Patent**  
**McKillips**

(10) **Patent No.:** **US D900,593 S**

(45) **Date of Patent:** **\*\* Nov. 3, 2020**

(54) **SHEATH ATTACHMENT BRACKET**

(71) Applicant: **WHG Properties, LLC**, North Wales, PA (US)

(72) Inventor: **Neal McKillips**, Drexel Hill, PA (US)

(73) Assignee: **WHG Properties, LLC**, North Wales, PA (US)

(\*\*) Term: **15 Years**

(21) Appl. No.: **29/677,250**

(22) Filed: **Jan. 18, 2019**

(51) **LOC (12) Cl.** ..... **08-05**

(52) **U.S. Cl.**  
USPC ..... **D8/354**

(58) **Field of Classification Search**  
USPC ..... D8/354  
CPC ..... A61G 12/005; A47G 7/044; G09F 7/20  
See application file for complete search history.

(56) **References Cited**

U.S. PATENT DOCUMENTS

D315,667 S *	3/1991	Johnson	.....	D10/64
D531,010 S *	10/2006	Vrame	.....	D8/354
D533,547 S *	12/2006	Sergi	.....	D14/238
D684,147 S *	6/2013	Stifal	.....	D14/239
RE44,515 E *	10/2013	Ciungan	.....	D14/452
D703,643 S *	4/2014	Badillo	.....	D14/247
D734,129 S *	7/2015	Allen	.....	D8/354
D759,465 S *	6/2016	Reed	.....	D8/354
D763,235 S *	8/2016	Brown	.....	D14/239
D776,095 S *	1/2017	Brown	.....	D14/239
D814,267 S *	4/2018	Verbowski	.....	D8/354
D841,434 S *	2/2019	Vrame	.....	D8/354

OTHER PUBLICATIONS

Pup Pals Universal Platform, posted at spartanbladesusa.com, posting date Dec. 7, 2018, [online], [site visited Jul. 1, 2020]. Available from Internet, URL: <https://spartanbladesusa.com/spartan-blades-blog-how-to-install-a-pup-pals-universal-platform-on-a-kydex-sheath/> (Year: 2018).\*

Spindle Mounting Plate, posted at inventables.com, posting date not given, [online], [site visited Jul. 1, 2020]. Available from Internet, URL: <https://www.inventables.com/technologies/spindle-mounting-plate> (Year: 2020).\*

\* cited by examiner

*Primary Examiner* — George D. Kirschbaum

*Assistant Examiner* — Maria J Edwards

(74) *Attorney, Agent, or Firm* — Fox Rothschild LLP

(57) **CLAIM**

The ornamental design for a sheath attachment bracket, as shown and described.

**DESCRIPTION**

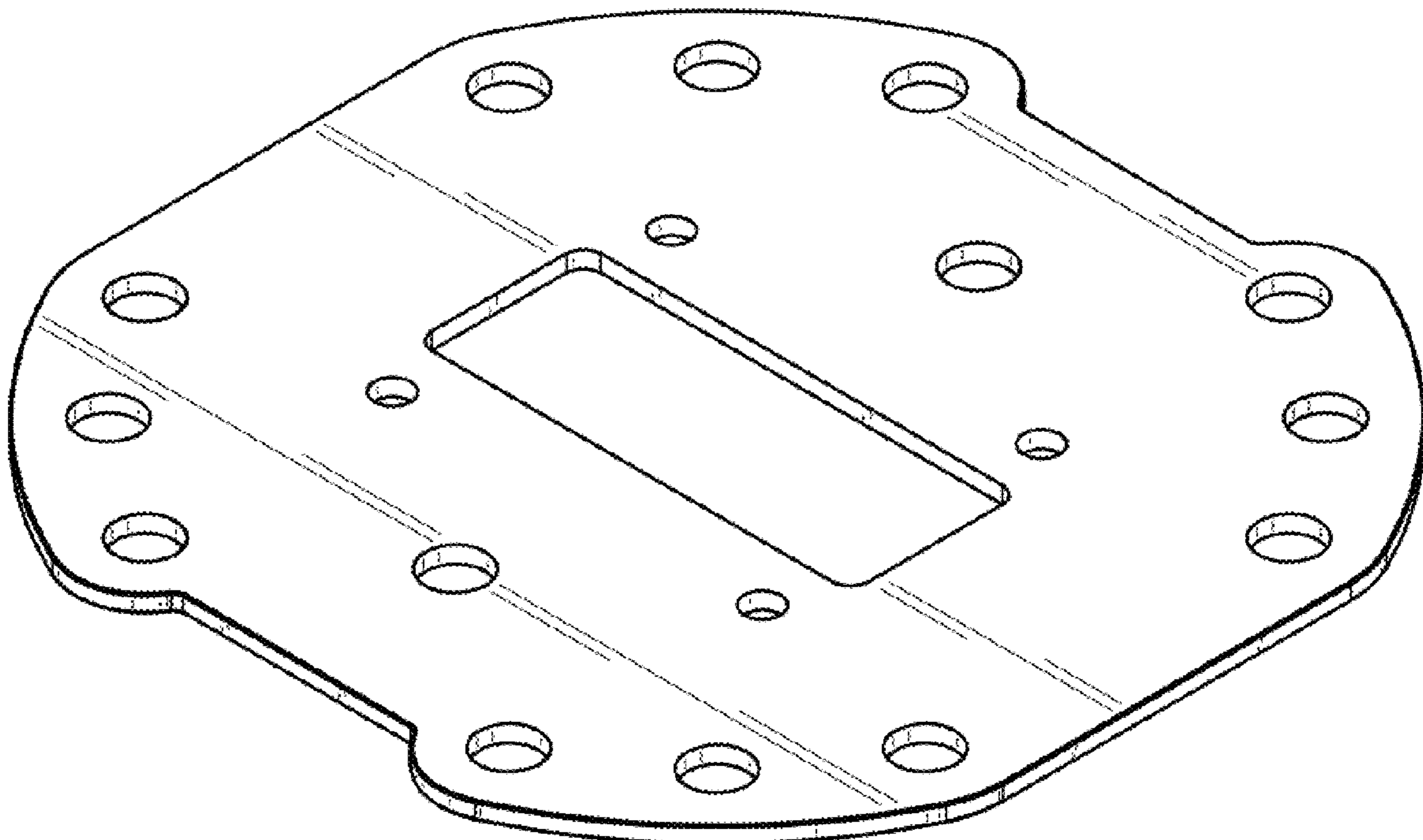
FIG. 1 is a top view of a sheath attachment bracket according to the present disclosure, the bottom view being the same as the top view.

FIG. 2 is a front view of the sheath attachment bracket of FIG. 1, the back view being the same as the front view.

FIG. 3 is a top, right side, front perspective view of the sheath attachment bracket of FIG. 1; and,

FIG. 4 is a bottom, left side, back perspective view of the sheath attachment bracket of FIG. 1.

**1 Claim, 1 Drawing Sheet**



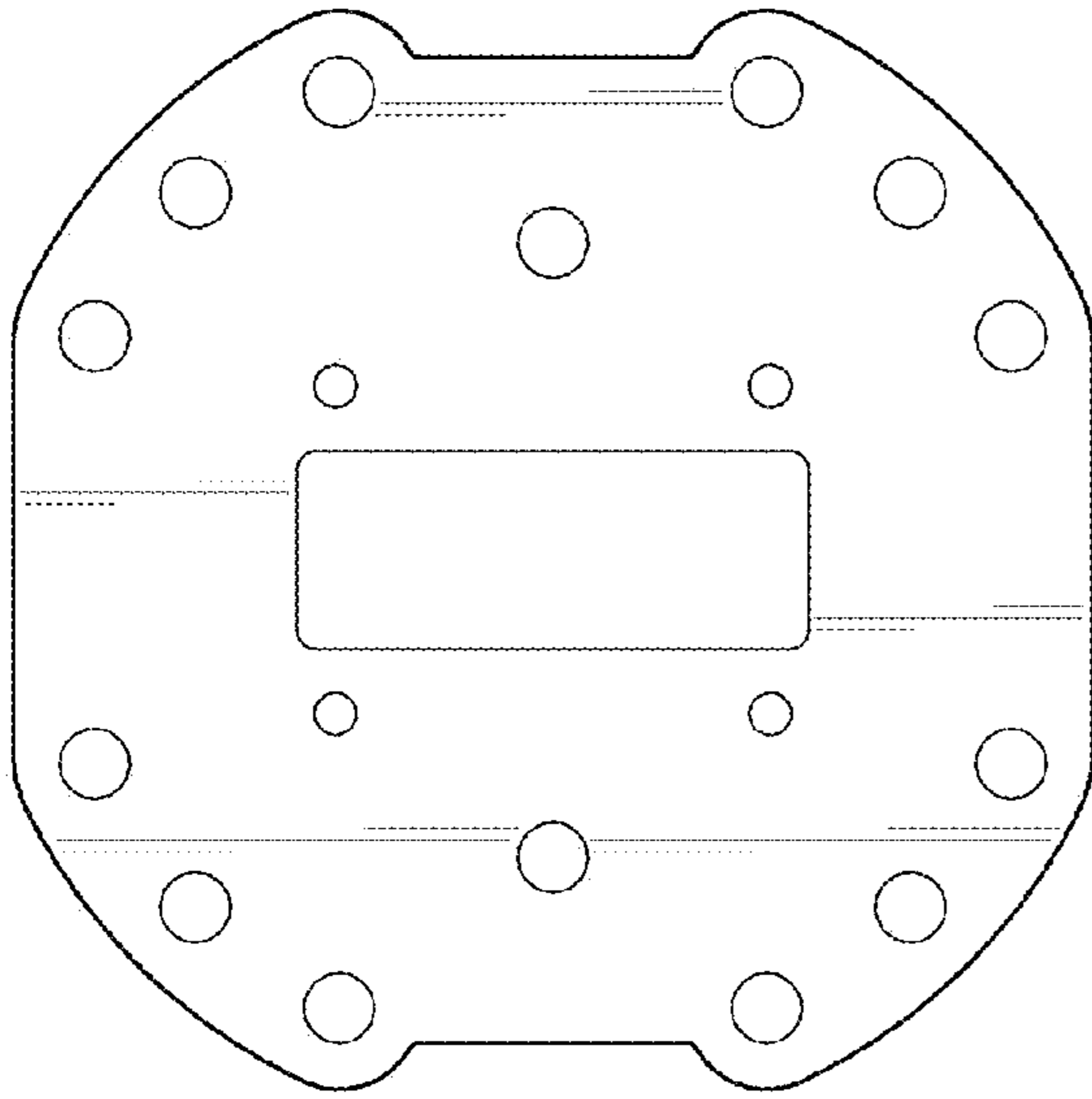


FIG. 1

FIG. 2

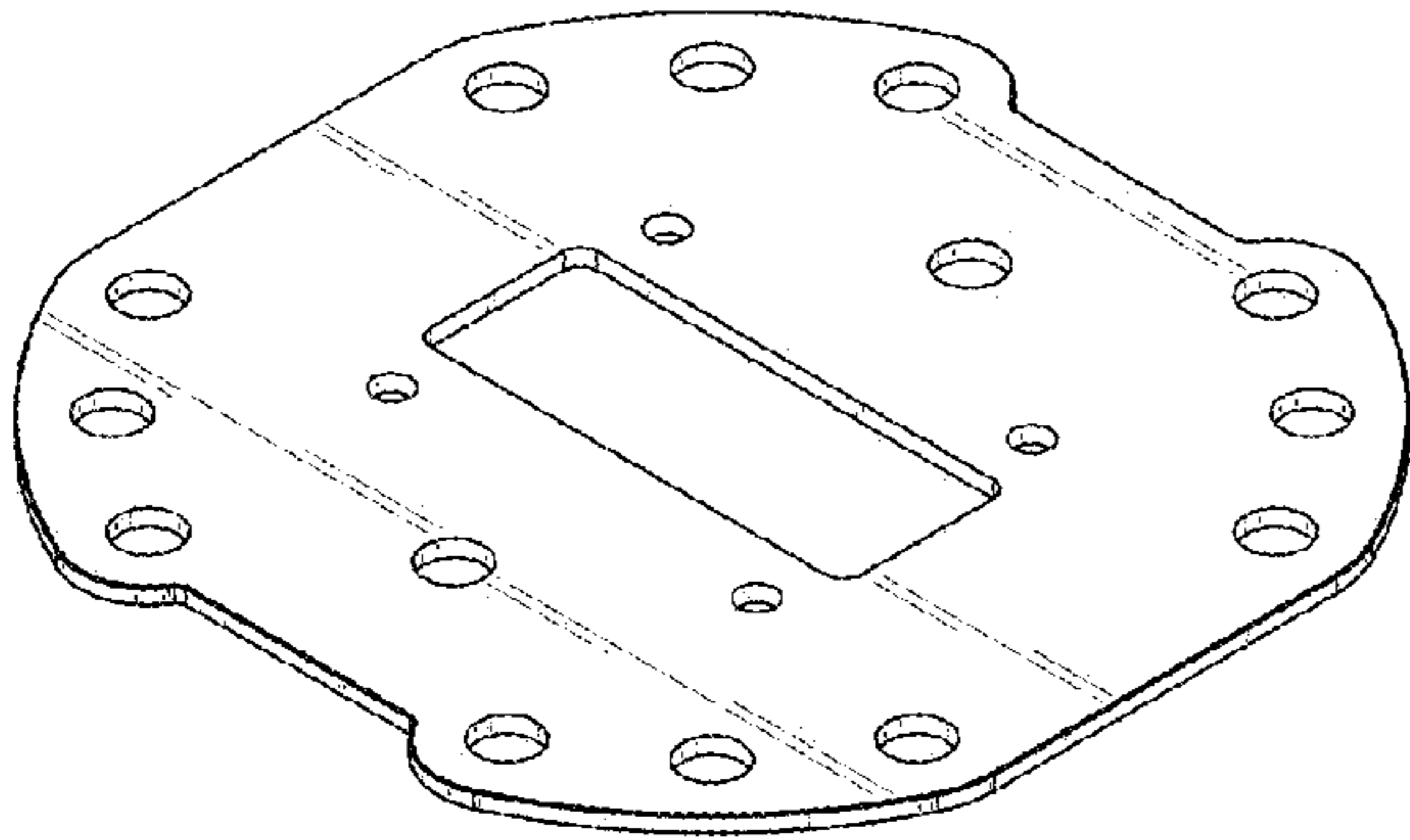
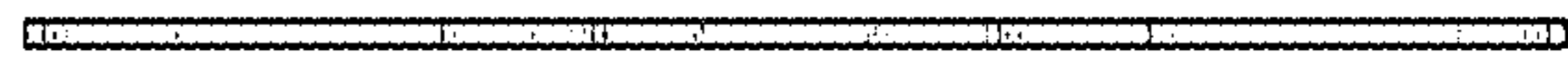


FIG. 3

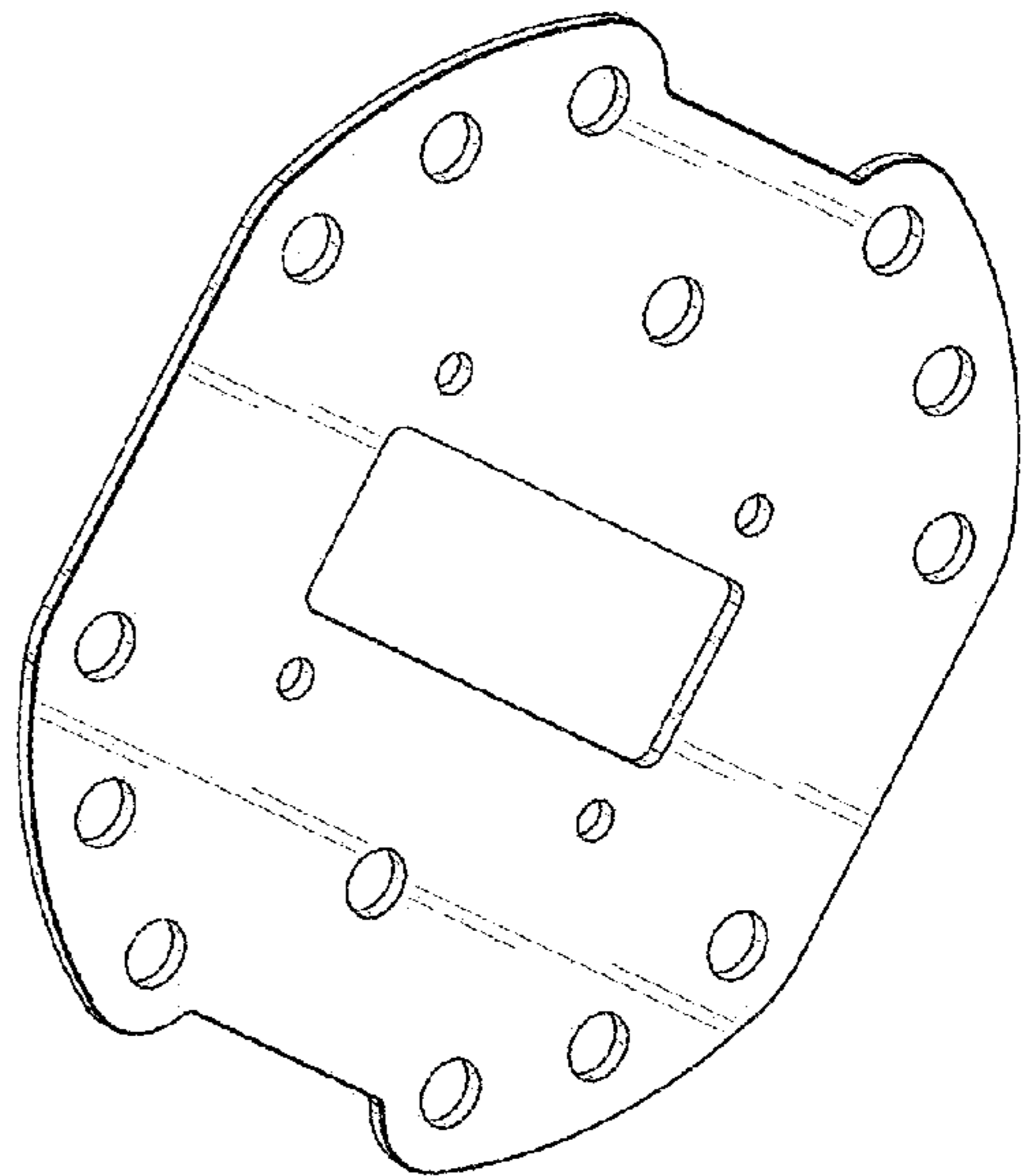


FIG. 4