



US00D900592S

(12) **United States Design Patent** (10) **Patent No.:** **US D900,592 S**
West (45) **Date of Patent:** **** Nov. 3, 2020**

(54) **MOUNTING BRACKET**
(71) Applicant: **HFE INTERNATIONAL**, Tucson, AZ (US)
(72) Inventor: **Thomas B. West**, Tucson, AZ (US)
(73) Assignee: **HFE International**, Tucson, AZ (US)
(**) Term: **15 Years**
(21) Appl. No.: **29/689,293**
(22) Filed: **Apr. 29, 2019**
(51) **LOC (12) Cl.** **08-08**
(52) **U.S. Cl.**
USPC **D8/349**
(58) **Field of Classification Search**
USPC D8/14, 71, 72, 349, 354, 355, 371, 380, D8/381, 382, 394, 396, 499; D12/345, D12/340, 341, 322
CPC F16B 2/12; F16B 2/065; F16B 7/00; F16B 7/04; F16B 7/0446; F16B 7/0486; F16L 3/02; F16L 3/10; F16L 3/1016; F16L 3/1091; F16M 13/022; H01Q 1/12; H01Q 1/1207; H01Q 1/1228; H01Q 1/125; B64D 27/26
See application file for complete search history.

D544,423 S * 6/2007 Hu D12/187
7,868,845 B2 * 1/2011 Gratton F16B 2/10 343/878
D655,669 S * 3/2012 Matijevich D12/223
D723,362 S * 3/2015 Bacon D8/396
D736,072 S * 8/2015 Sandman D8/394
9,145,052 B2 * 9/2015 De Biasi B60K 15/067
D789,182 S * 6/2017 Rathman D8/355
D868,665 S * 12/2019 Rike D12/223
D873,647 S * 1/2020 Malcolm D8/349
D885,174 S * 5/2020 Magagna D8/396
2006/0097524 A1 * 5/2006 Stolzman B65D 45/345 292/256.69
2016/0340093 A1 * 11/2016 Muller B65D 63/00
2017/0057348 A1 * 3/2017 Arold F17C 13/084
2017/0334288 A1 * 11/2017 Rike B60K 15/03006

* cited by examiner

Primary Examiner — Michael C Stout
Assistant Examiner — Benjamin M Weeks
(74) *Attorney, Agent, or Firm* — Quarles & Brady LLP

(57) **CLAIM**

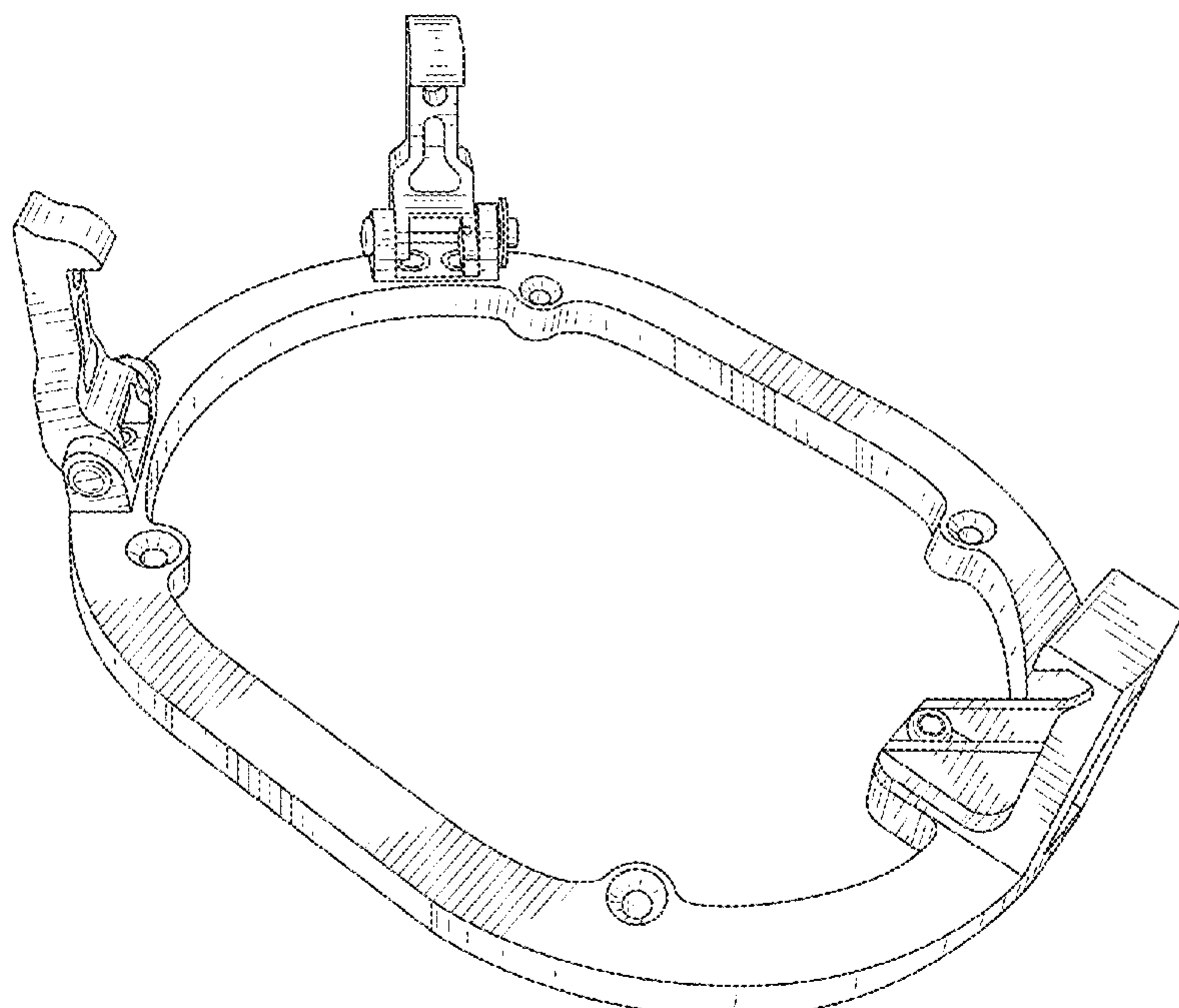
The ornamental design for a mounting bracket, as shown and described.

DESCRIPTION

FIG. 1 is a perspective view of the mounting bracket showing my new design;
FIG. 2 is a top view thereof;
FIG. 3 is a bottom view thereof;
FIG. 4 is a left side view thereof;
FIG. 5 is a right side view thereof;
FIG. 6 is a back elevational view thereof; and,
FIG. 7 is a front elevational view thereof.
The broken lines are included for illustrative purposes only and form no part of the claimed design.

1 Claim, 6 Drawing Sheets

(56) **References Cited**
U.S. PATENT DOCUMENTS
D363,915 S * 11/1995 Weems D12/345
6,007,028 A * 12/1999 Lin F16M 13/022 248/27.3
D444,443 S * 7/2001 Wilson D12/317
6,581,920 B1 * 6/2003 Smith B25H 1/0007 254/134



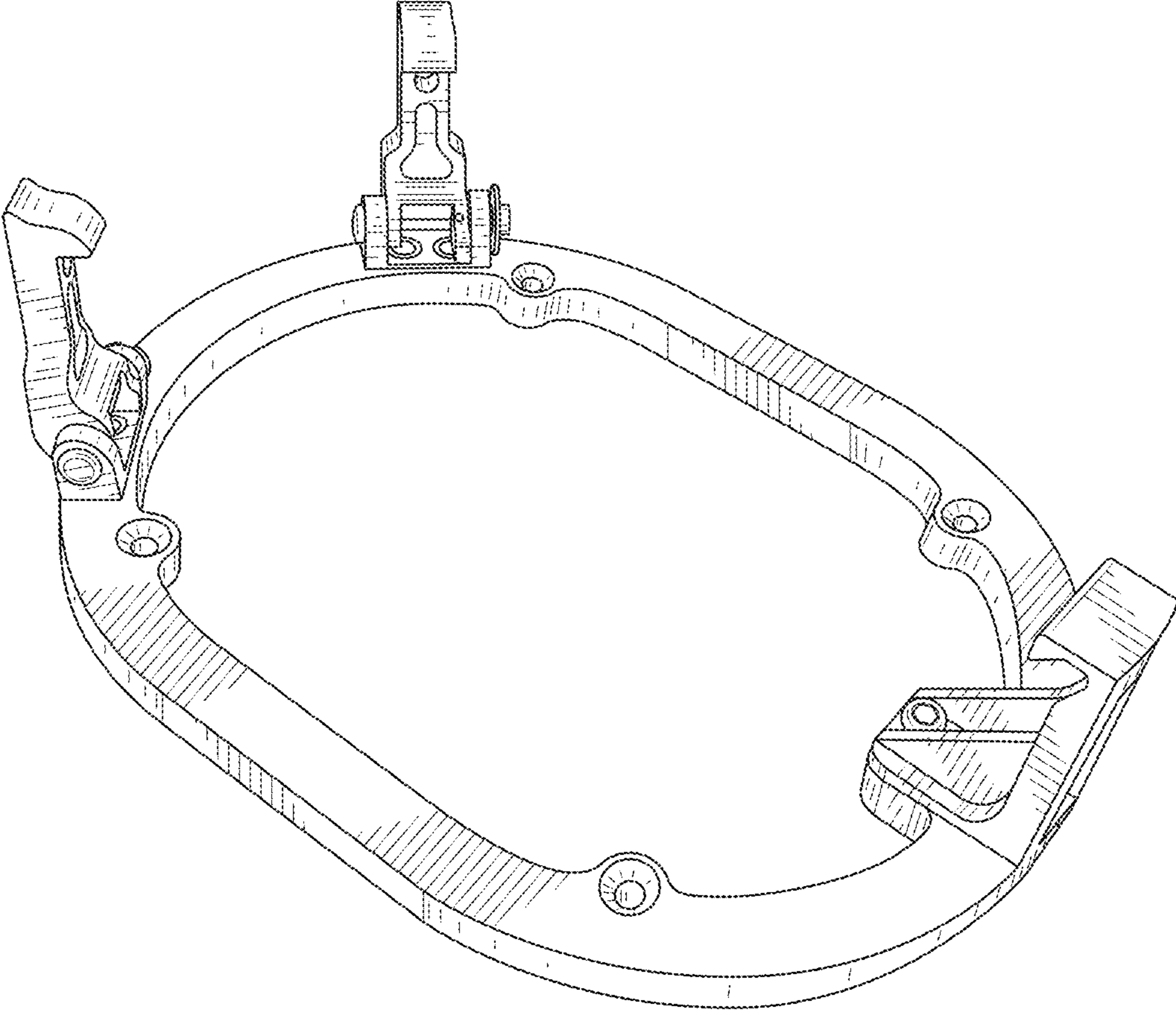


FIG. 1

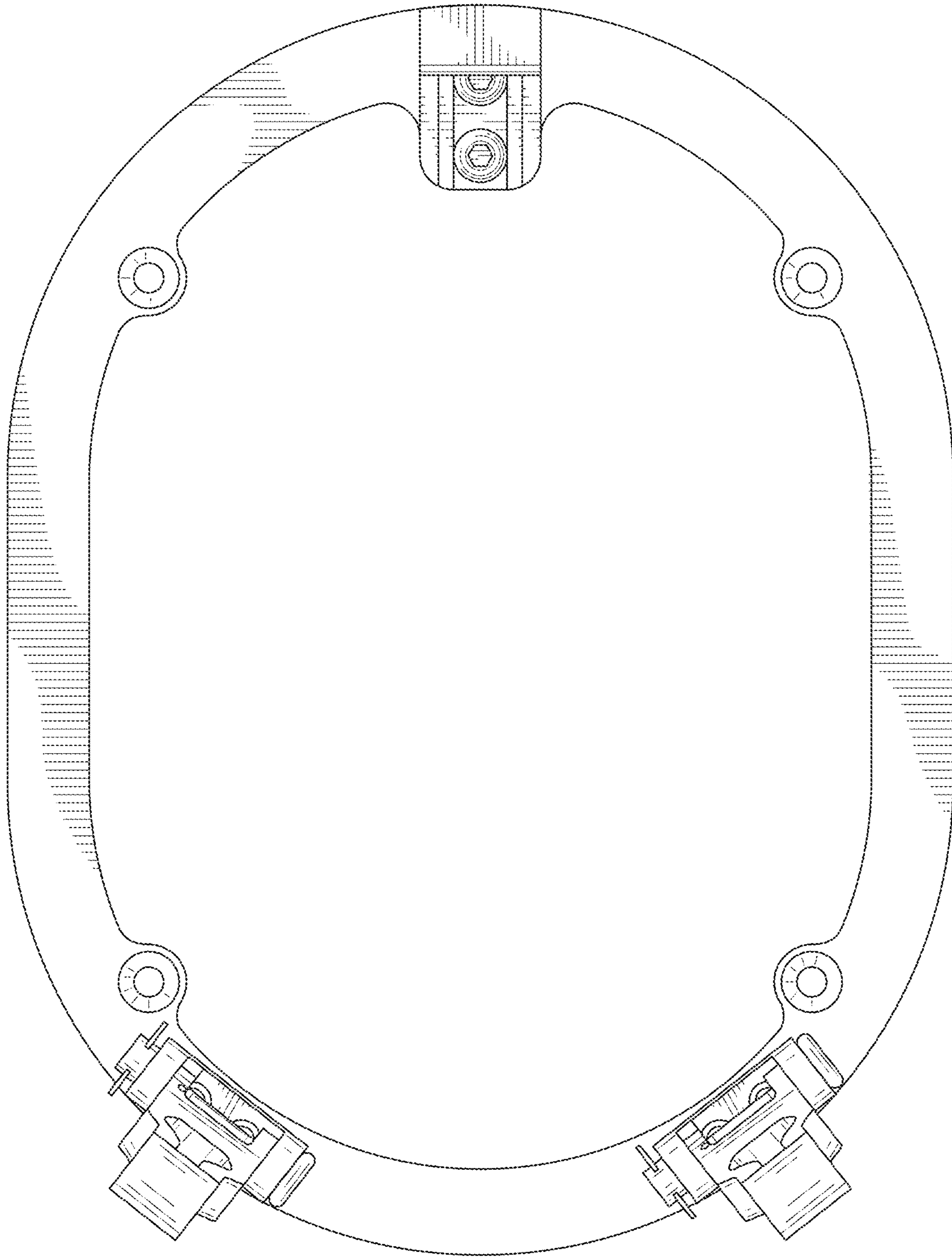


FIG. 2

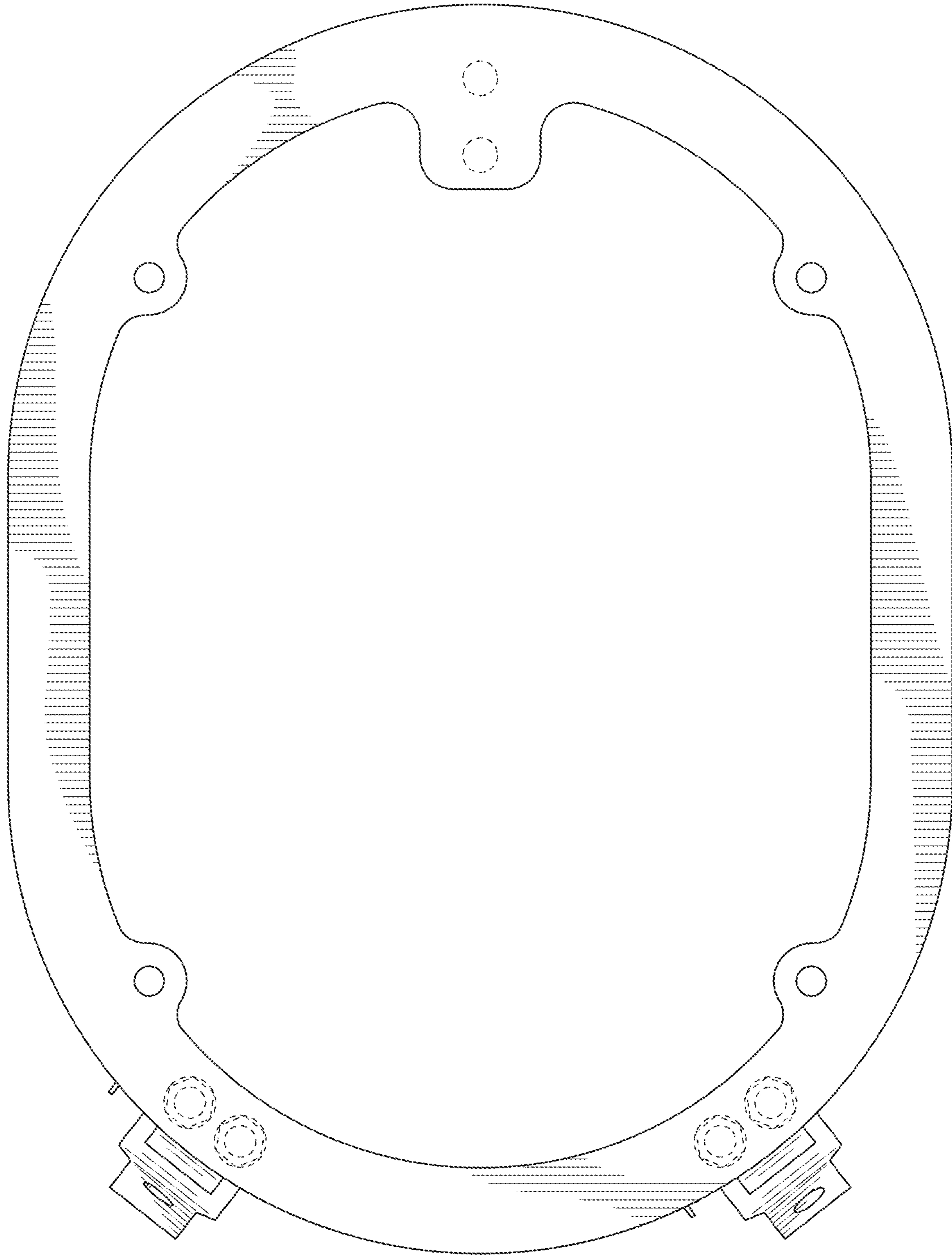


FIG. 3

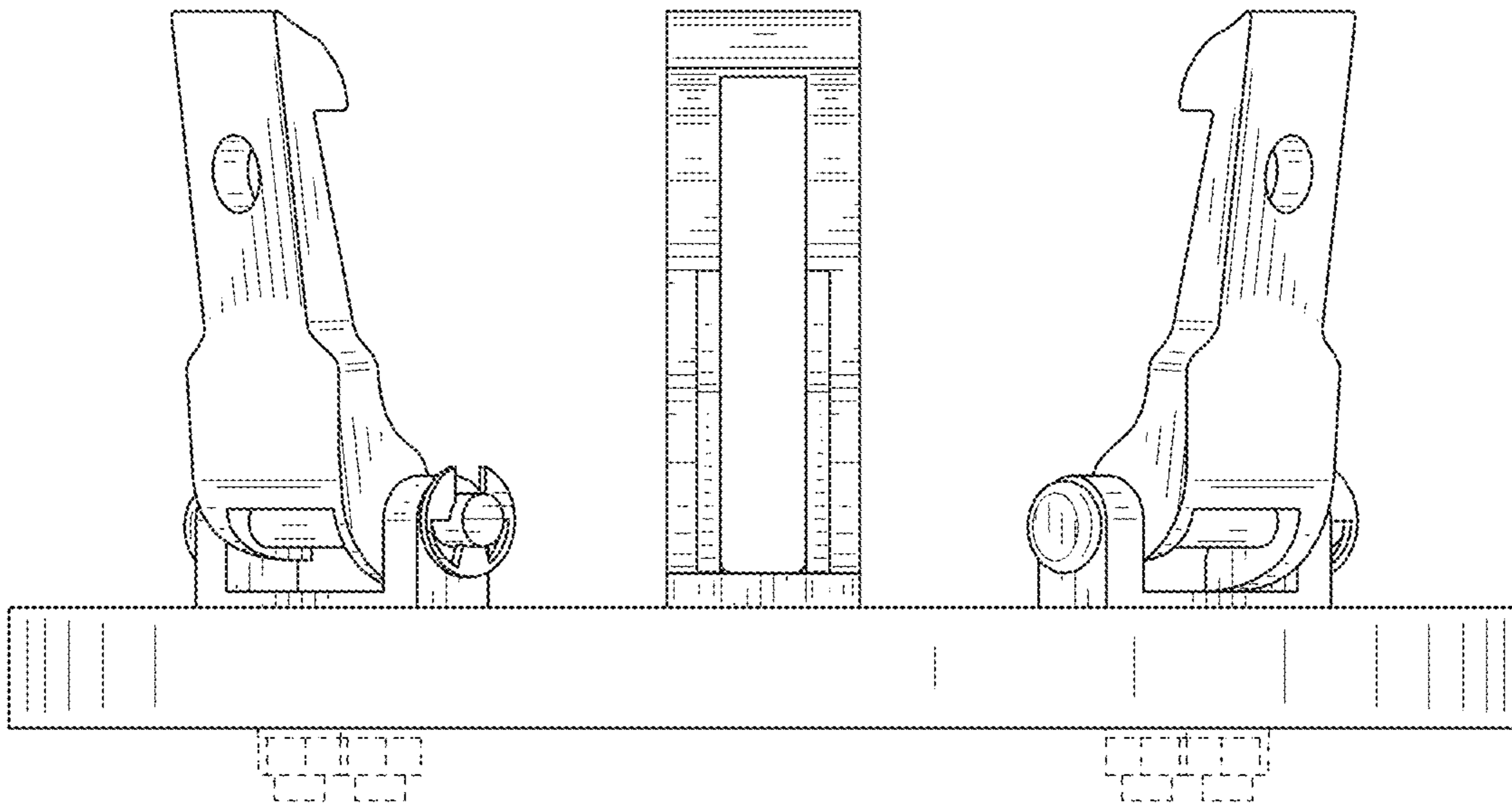


FIG. 4

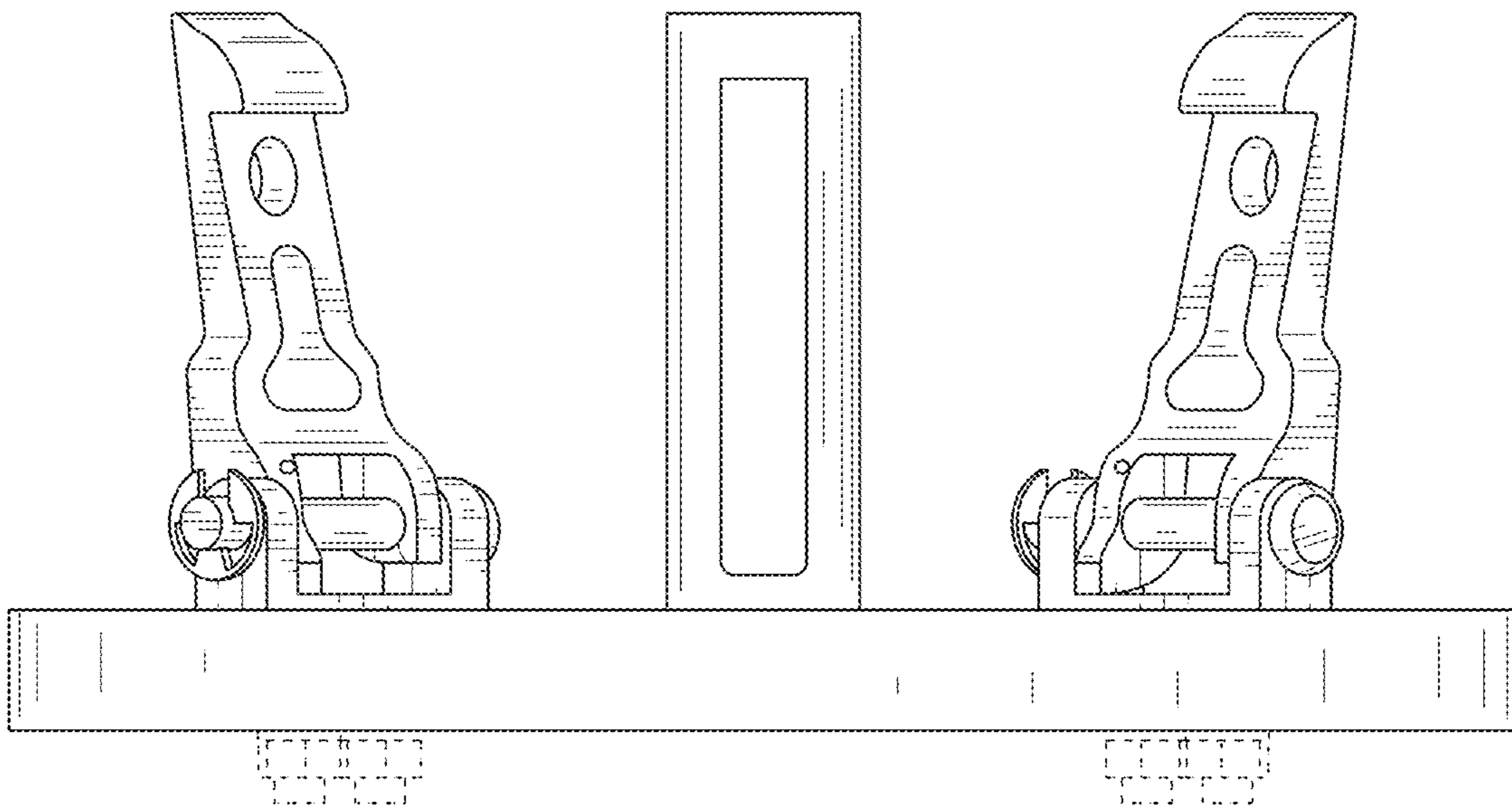


FIG. 5

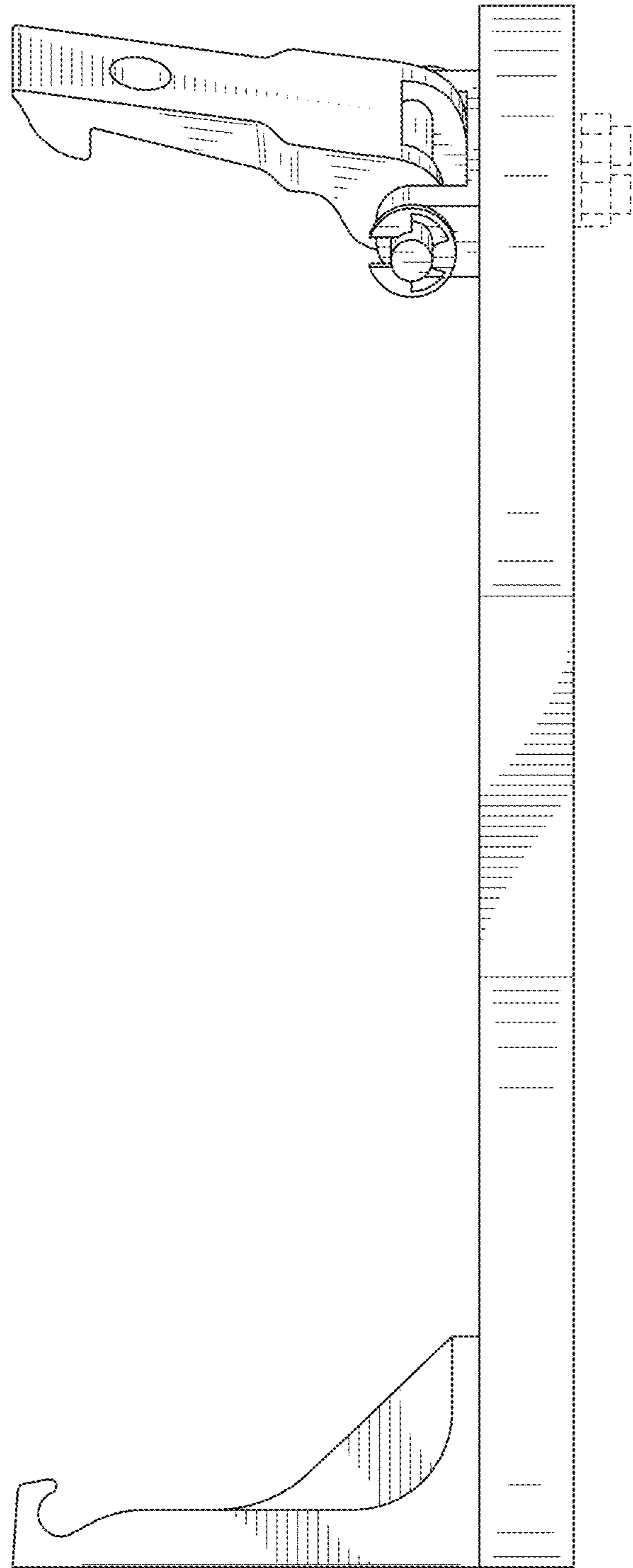


FIG. 6

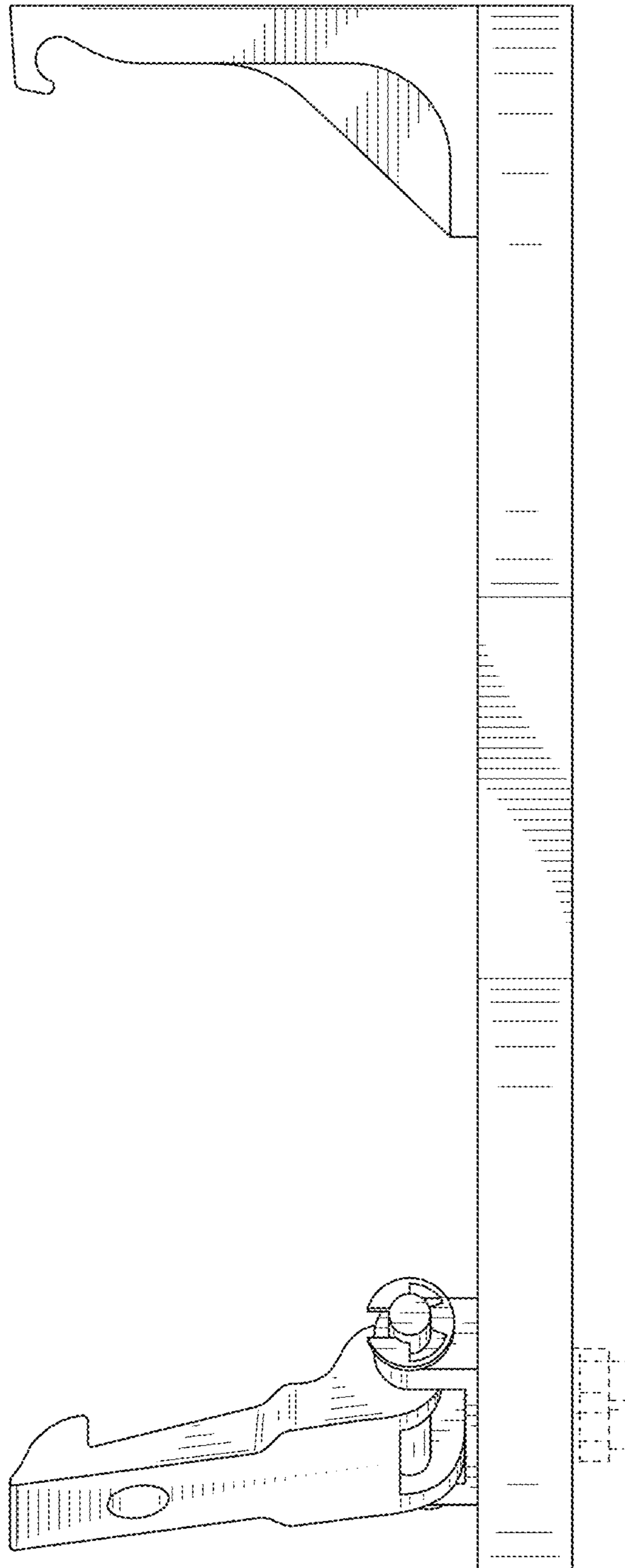


FIG. 7