

US00D900591S

(12) **United States Design Patent** (10) **Patent No.:** **US D900,591 S**  
**Schwarzmann et al.** (45) **Date of Patent:** **\*\* Nov. 3, 2020**

(54) **FASTENING DEVICE**

(71) Applicant: **Julius Blum GmbH**, Hoechst (AT)

(72) Inventors: **Guenter Schwarzmann**, Dornbirn (AT); **Markus Irgang**, Altach (AT); **Gerald Sperger**, Hard (AT)

(73) Assignee: **JULIUS BLUM GMBH**, Hoechst (AT)

(\*\*) Term: **15 Years**

(21) Appl. No.: **29/653,838**

(22) Filed: **Jun. 19, 2018**

(30) **Foreign Application Priority Data**

Dec. 22, 2017 (EM) ..... 1466296-0005  
Dec. 22, 2017 (EM) ..... 1466296-0006

(51) **LOC (12) Cl.** ..... **08-08**

(52) **U.S. Cl.**  
USPC ..... **D8/349**

(58) **Field of Classification Search**  
USPC ..... D8/349, 350-353, 354, 355, 363,  
D8/373-377  
CPC .. A47F 5/00; A47H 1/10; A47G 29/00; A47G  
29/08; A47B 97/00; A47K 3/14  
See application file for complete search history.

(56) **References Cited**

**U.S. PATENT DOCUMENTS**

2,799,903	A	*	7/1957	Alexander	.....	E06B 3/50
						49/96
D300,234	S	*	3/1989	Eyman, Jr.	.....	D21/797
D376,098	S	*	12/1996	Bucher	.....	D8/400
D391,243	S	*	2/1998	Rosen	.....	D14/452
D434,967	S	*	12/2000	Habeck	.....	D8/349

D574,684	S	*	8/2008	Kim	.....	D8/51
D616,729	S	*	6/2010	Anderson	.....	D8/355
D617,175	S	*	6/2010	Anderson	.....	D8/355
D622,578	S	*	8/2010	Kollman	.....	D8/380
D651,962	S	*	1/2012	Barkdoll	.....	D12/223
D658,485	S	*	5/2012	Wall	.....	D8/349
D678,043	S	*	3/2013	Lu	.....	D8/373
D695,173	S	*	12/2013	Sperry	.....	D12/185
D739,208	S	*	9/2015	Shirley	.....	D8/349
D782,289	S	*	3/2017	Darby	.....	D8/354
D808,576	S	*	1/2018	Clarke	.....	D26/138
D822,458	S	*	7/2018	Campbell	.....	D8/354
D828,743	S	*	9/2018	Bright	.....	D8/380
D841,437	S	*	2/2019	Ito	.....	D8/354
D841,438	S	*	2/2019	Ito	.....	D8/354
D845,113	S	*	4/2019	Salter	.....	D8/371
D850,245	S	*	6/2019	Bright	.....	D8/380
D859,966	S	*	9/2019	Rassat	.....	D8/380

\* cited by examiner

*Primary Examiner* — Mark A Goodwin

*Assistant Examiner* — Benjamin M Weeks

(74) *Attorney, Agent, or Firm* — Wenderoth, Lind & Ponack, L.L.P.

(57) **CLAIM**

The ornamental design for a fastening device, as shown and described.

**DESCRIPTION**

FIG. 1 is a front perspective view of a fastening device showing our new design;  
FIG. 2 is a front view thereof;  
FIG. 3 is a right side view thereof;  
FIG. 4 is a left side view thereof;  
FIG. 5 is a top view thereof;  
FIG. 6 is a bottom view thereof; and  
FIG. 7 is a rear view thereof.

**1 Claim, 7 Drawing Sheets**

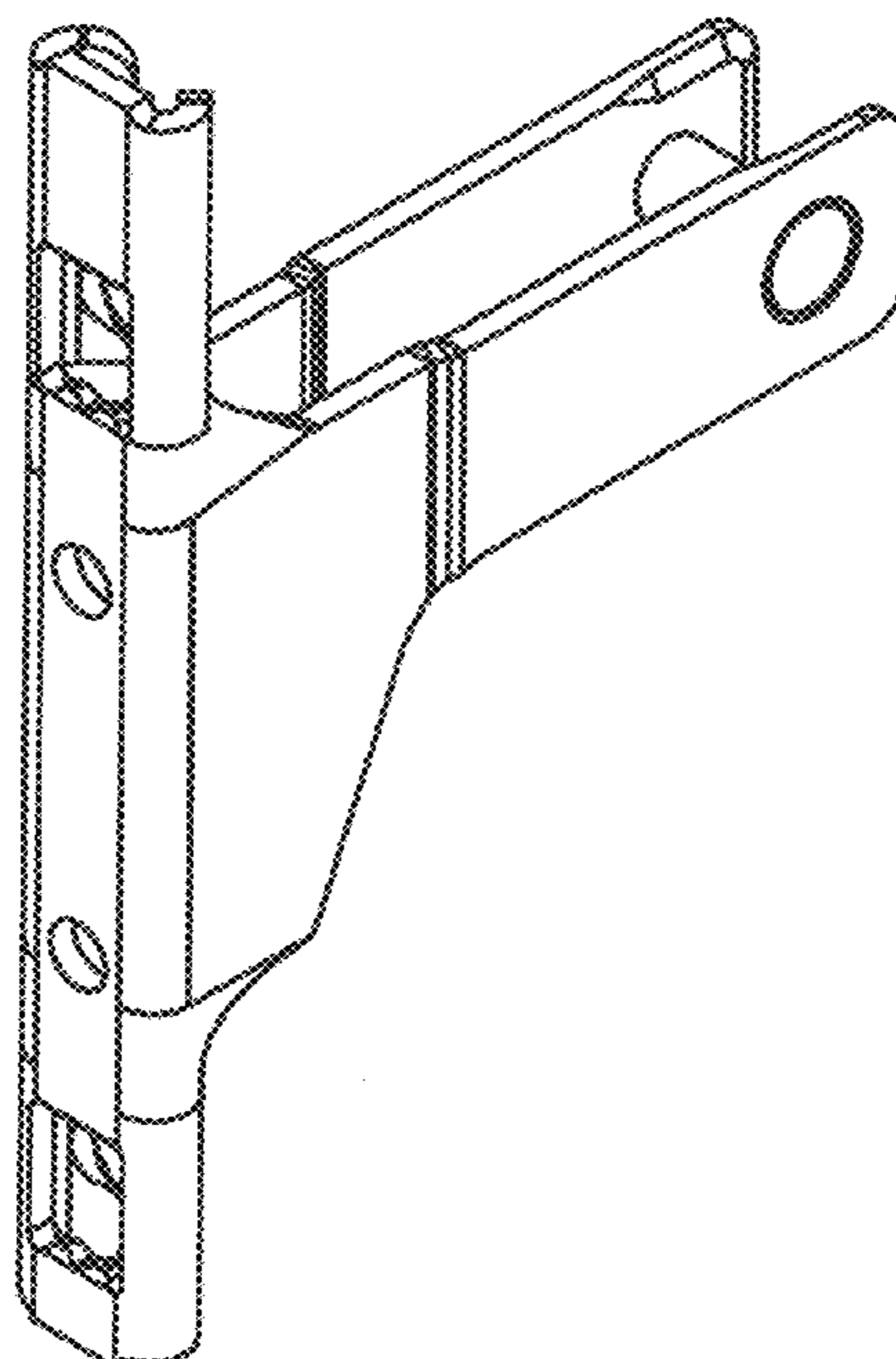


FIG. 1

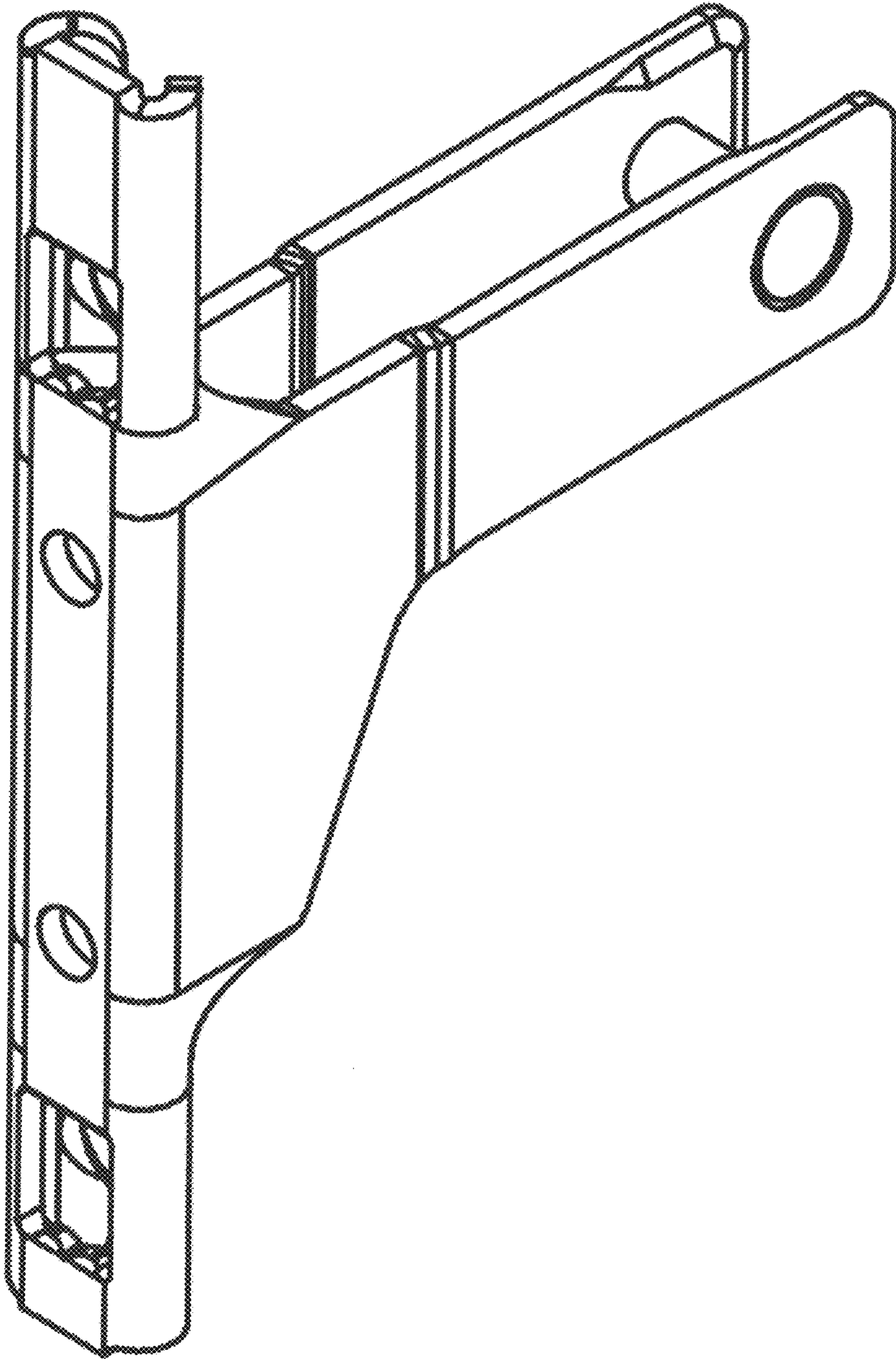


FIG. 2

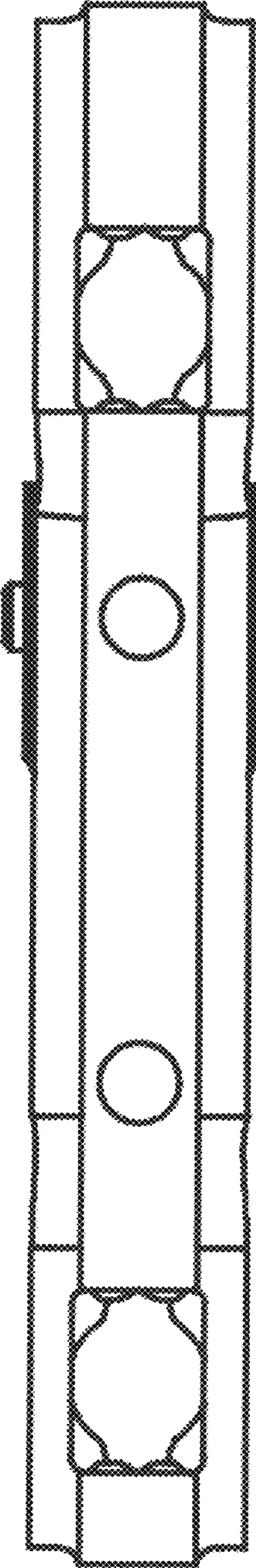




FIG. 3

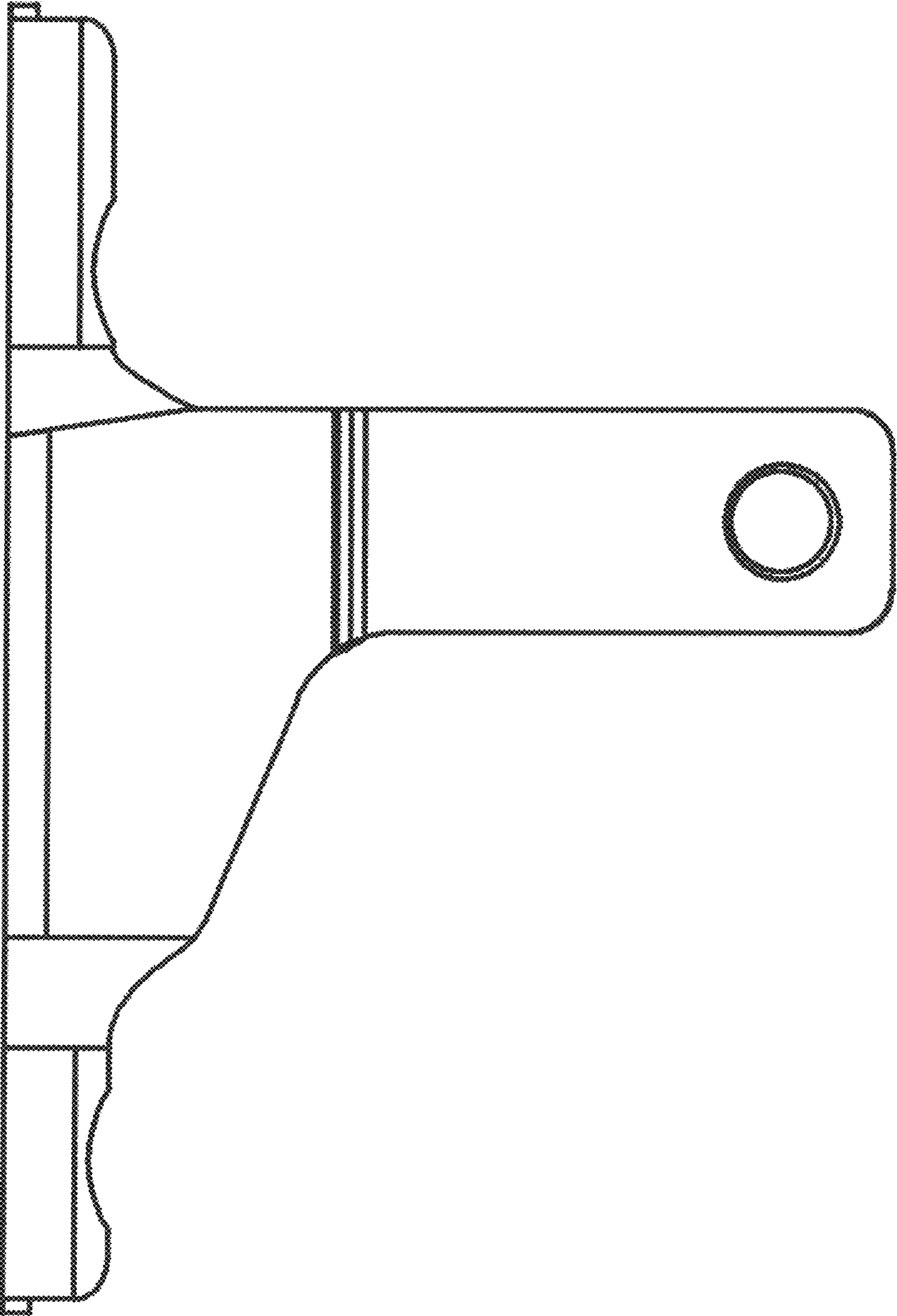


FIG. 4

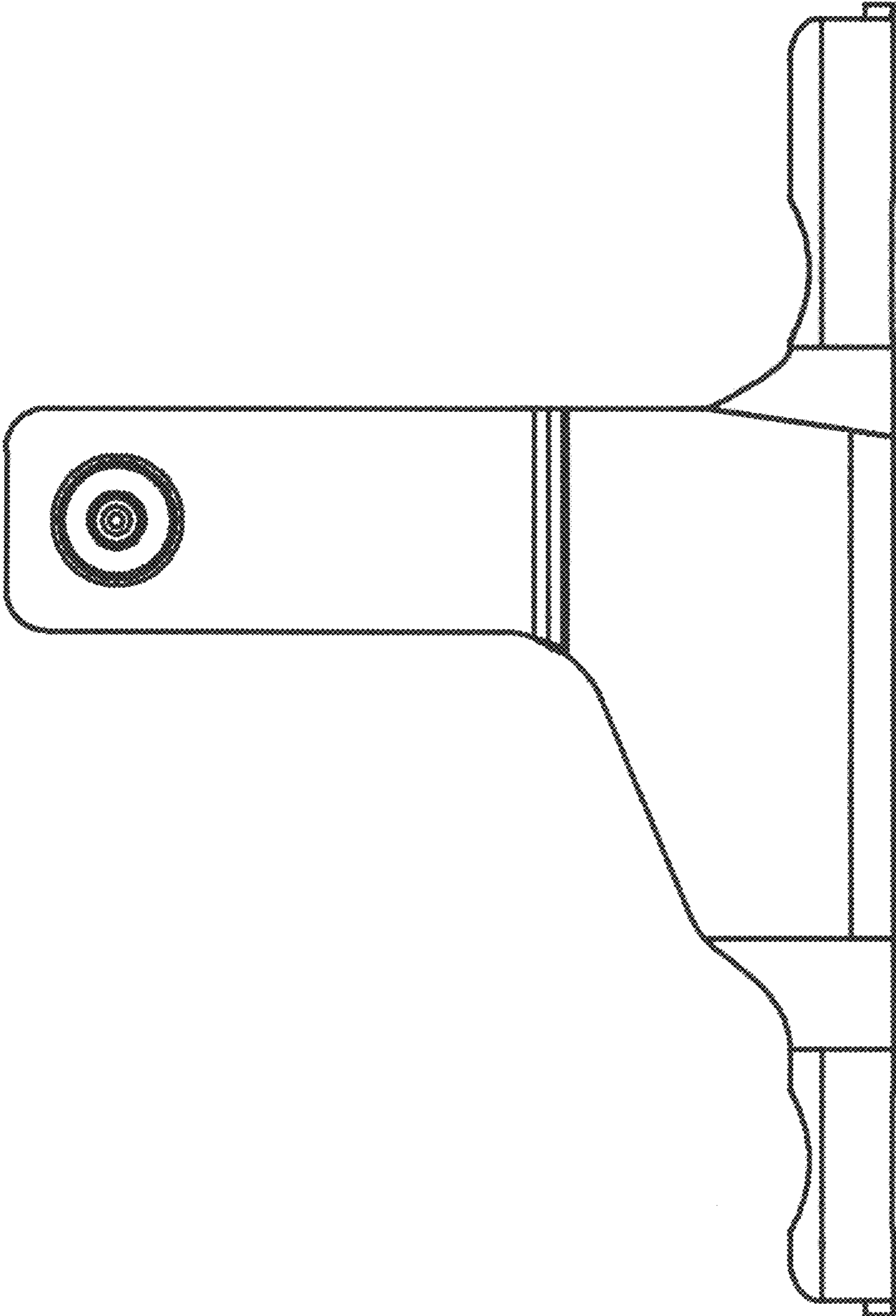


FIG. 5

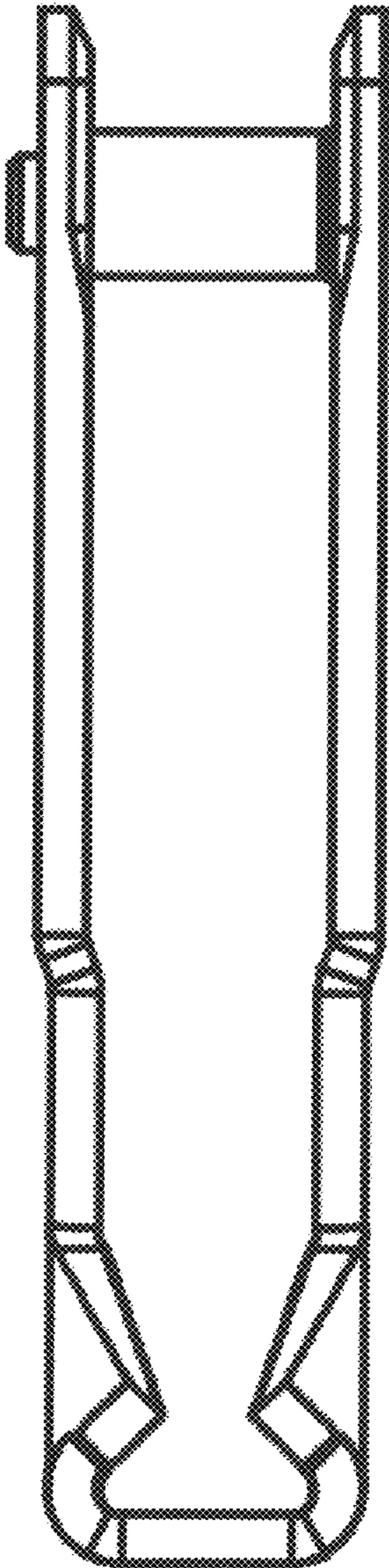


FIG. 6

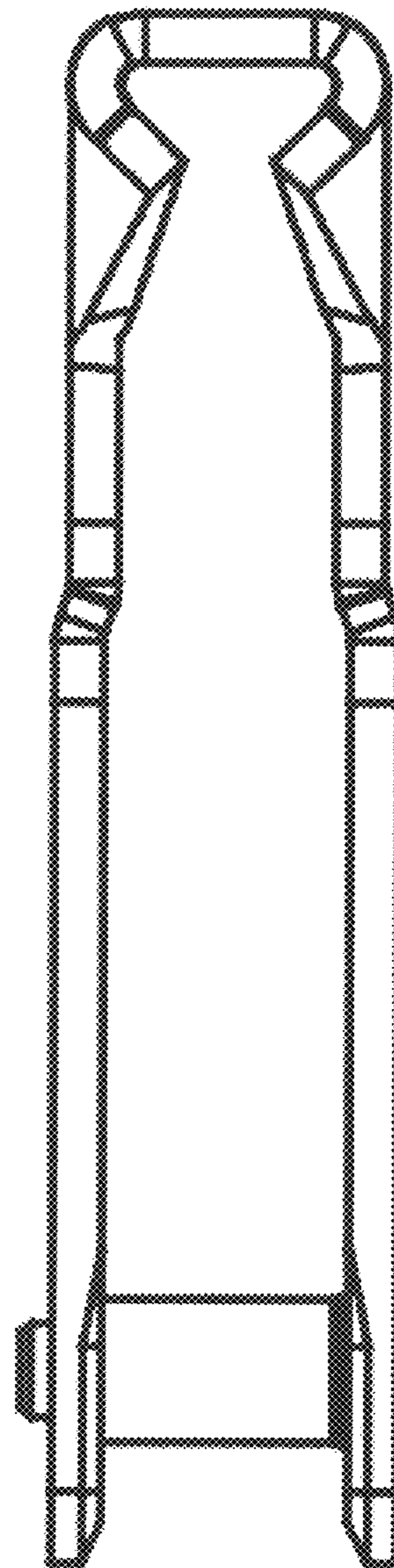


FIG. 7

