



US00D900590S

(12) **United States Design Patent** (10) **Patent No.:** **US D900,590 S**
Li (45) **Date of Patent:** **** Nov. 3, 2020**

(54) **COMBINATION LOCK**
(71) Applicant: **Yulin Li**, Guangdong (CN)
(72) Inventor: **Yulin Li**, Guangdong (CN)
(**) Term: **15 Years**

(21) Appl. No.: **29/660,844**
(22) Filed: **Aug. 23, 2018**
(51) **LOC (12) Cl.** **08-07**
(52) **U.S. Cl.**
USPC **D8/334**
(58) **Field of Classification Search**
USPC D8/334, 336
CPC E05B 13/103; E05B 17/145; E05B 37/00;
E05B 67/00; E05B 67/06; E05B 67/22
See application file for complete search history.

(56) **References Cited**
U.S. PATENT DOCUMENTS
D266,394 S * 10/1982 Stolarz D8/336
D535,548 S * 1/2007 Lin D8/331
D696,925 S * 1/2014 Kemppainen D8/334
D711,723 S * 8/2014 Garthe D8/334

9,228,373 B2 * 1/2016 Huang E05B 37/0034
9,428,941 B1 * 8/2016 Yang E05B 67/063
D765,489 S * 9/2016 Little D8/334
9,495,820 B1 * 11/2016 Li E05B 67/00
9,631,401 B2 * 4/2017 Garthe E05B 67/06
9,920,549 B2 * 3/2018 Little E05B 37/0058

* cited by examiner

Primary Examiner — Doris Clark

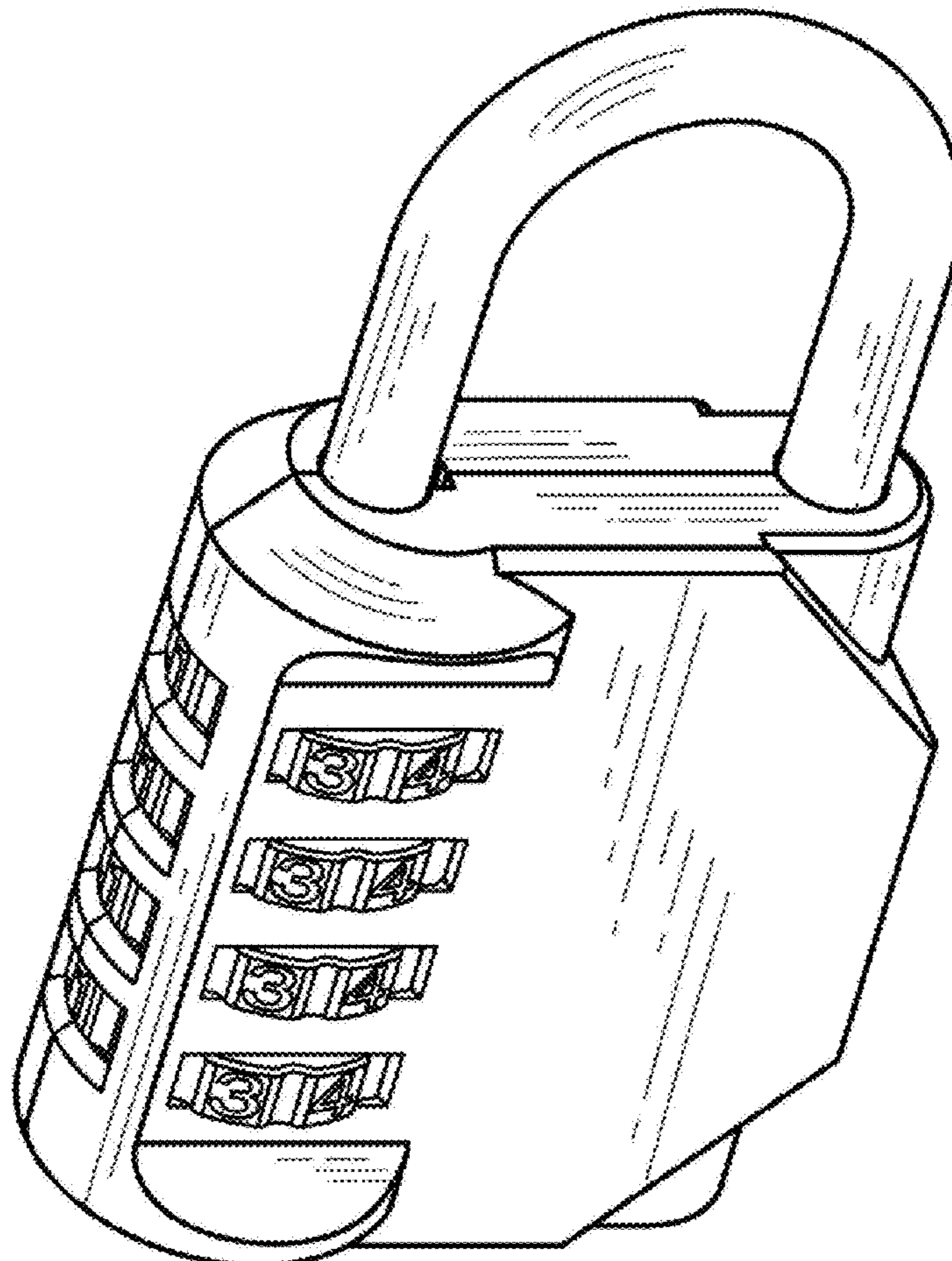
(57) **CLAIM**

I claim the ornamental design for a combination lock, as shown and described.

DESCRIPTION

FIG. 1 is a perspective view of a combination lock showing my new design;
FIG. 2 is a front elevational view thereof;
FIG. 3 is a rear elevational view thereof;
FIG. 4 is a left side elevational view thereof;
FIG. 5 is a right side elevational view thereof;
FIG. 6 is a top plan view thereof;
FIG. 7 is a bottom plan view thereof; and,
FIG. 8 is a perspective view shown the open status of the combination lock.

1 Claim, 8 Drawing Sheets



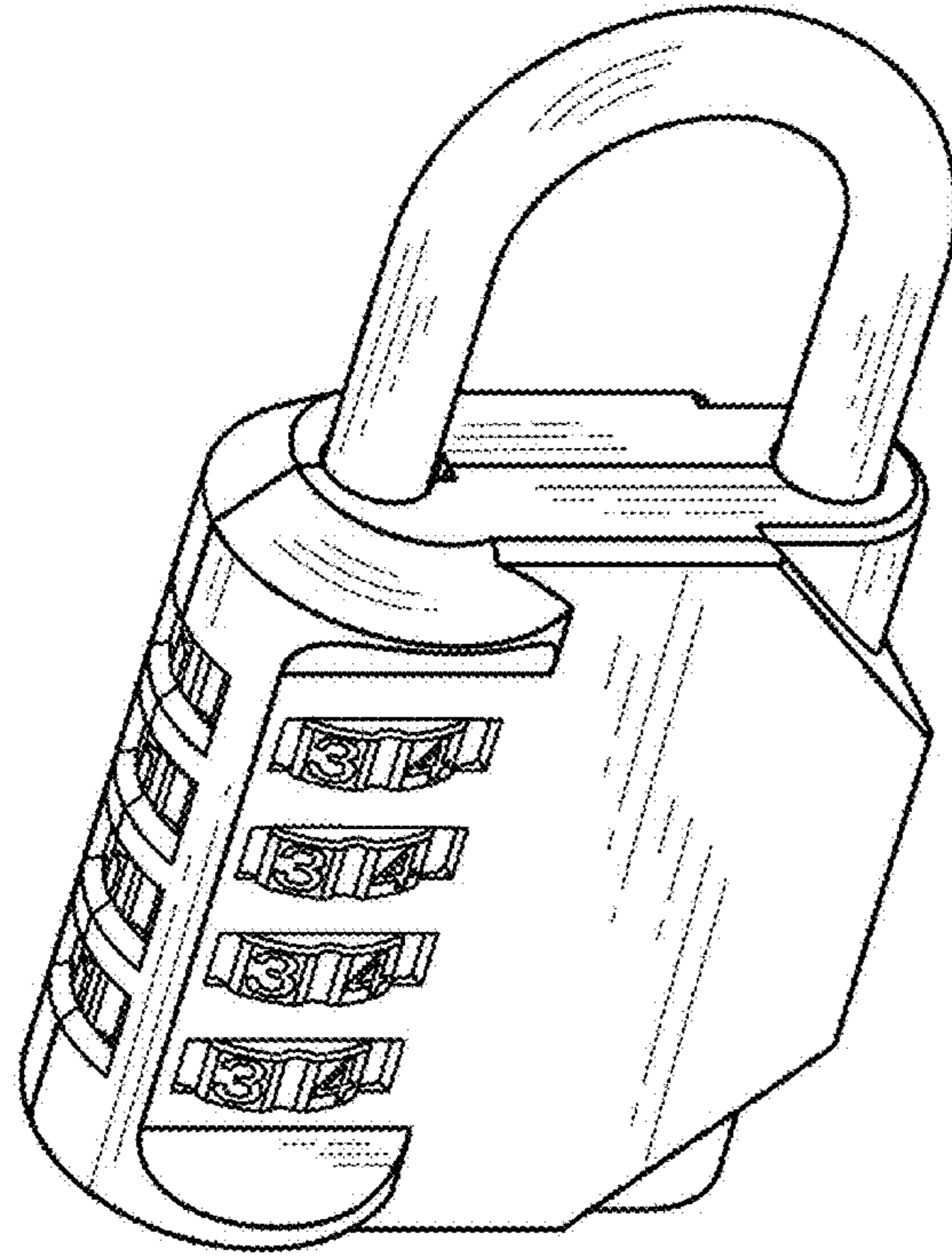


FIG.1

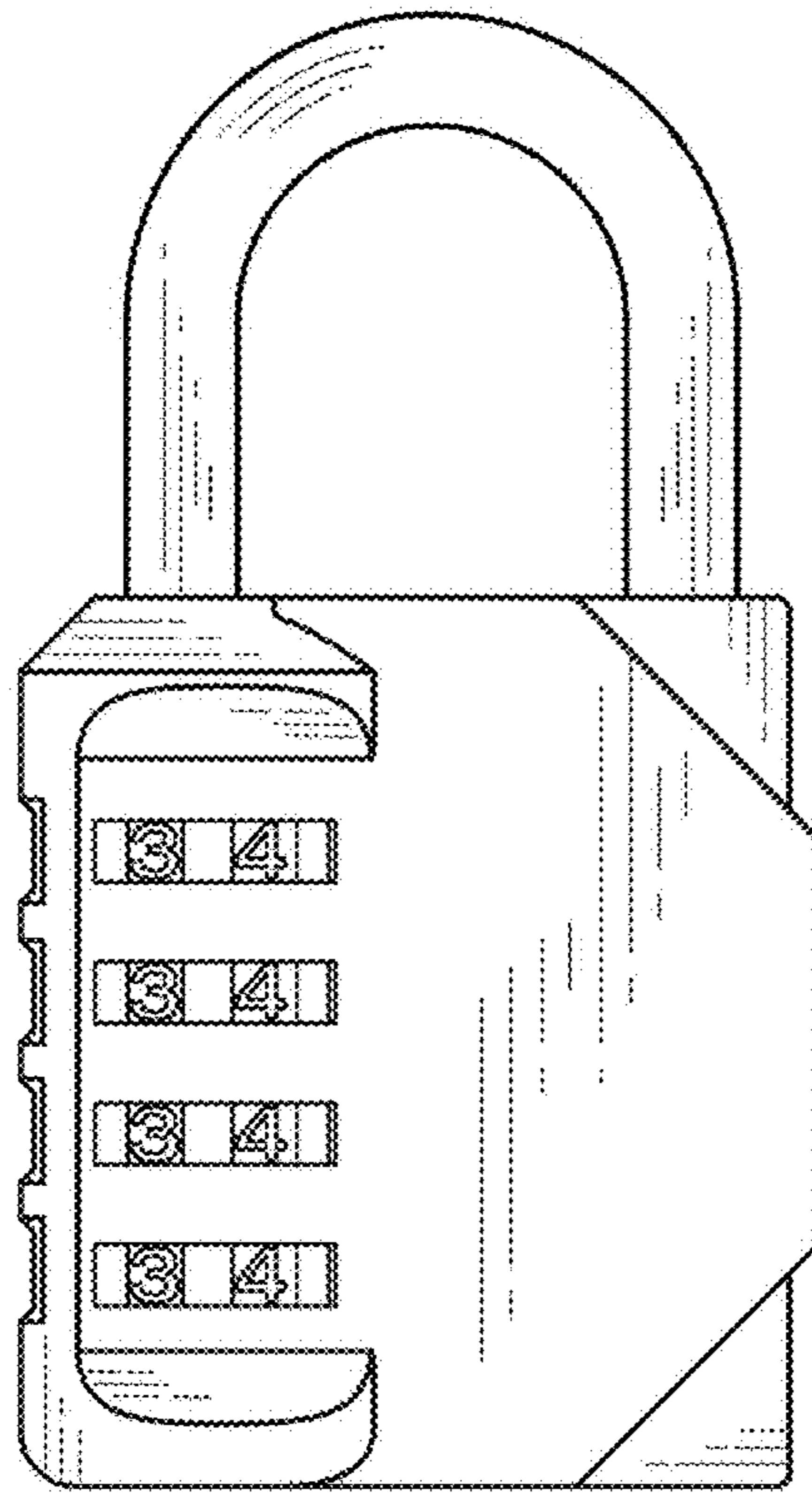


FIG.2

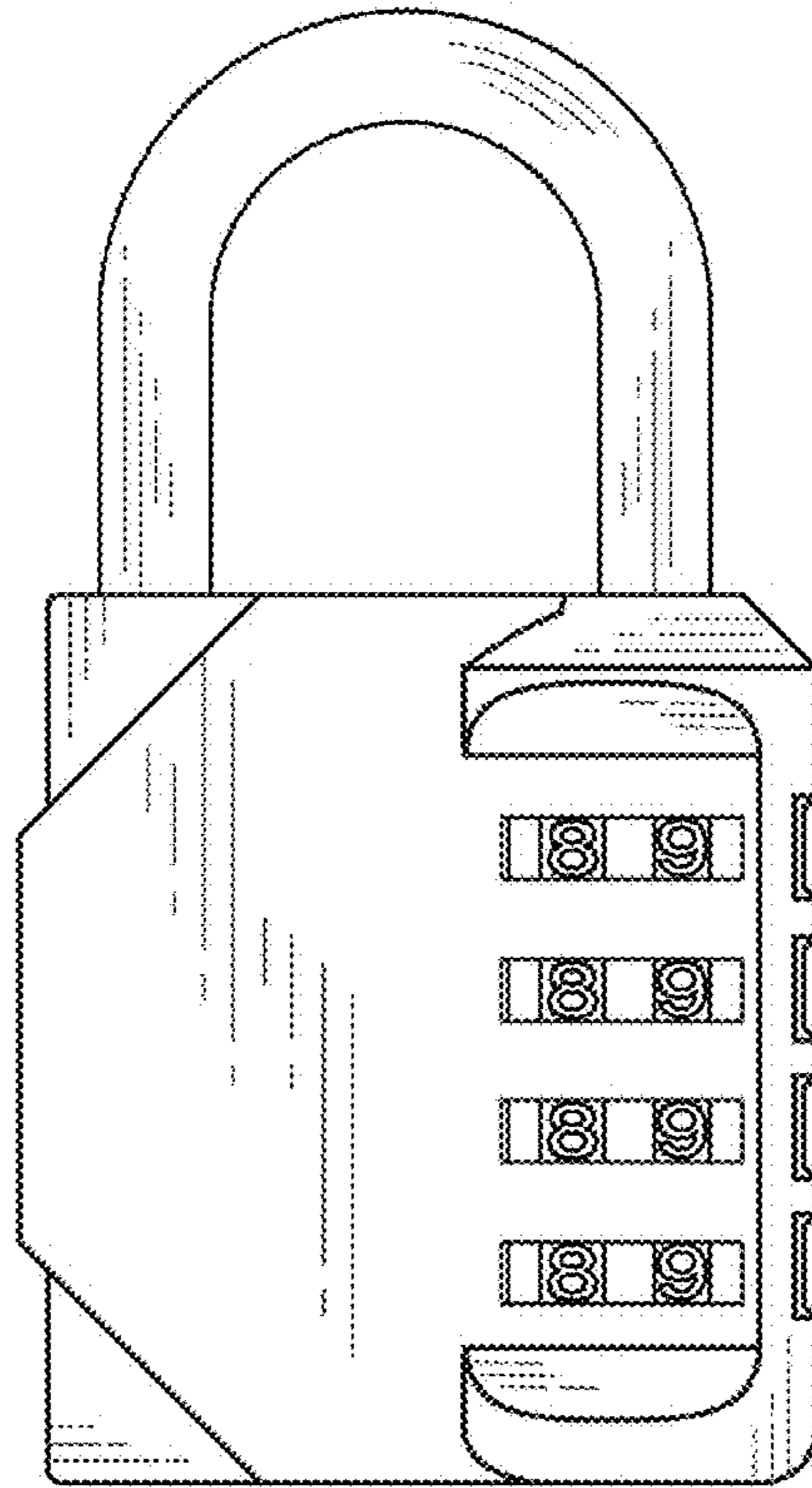


FIG.3

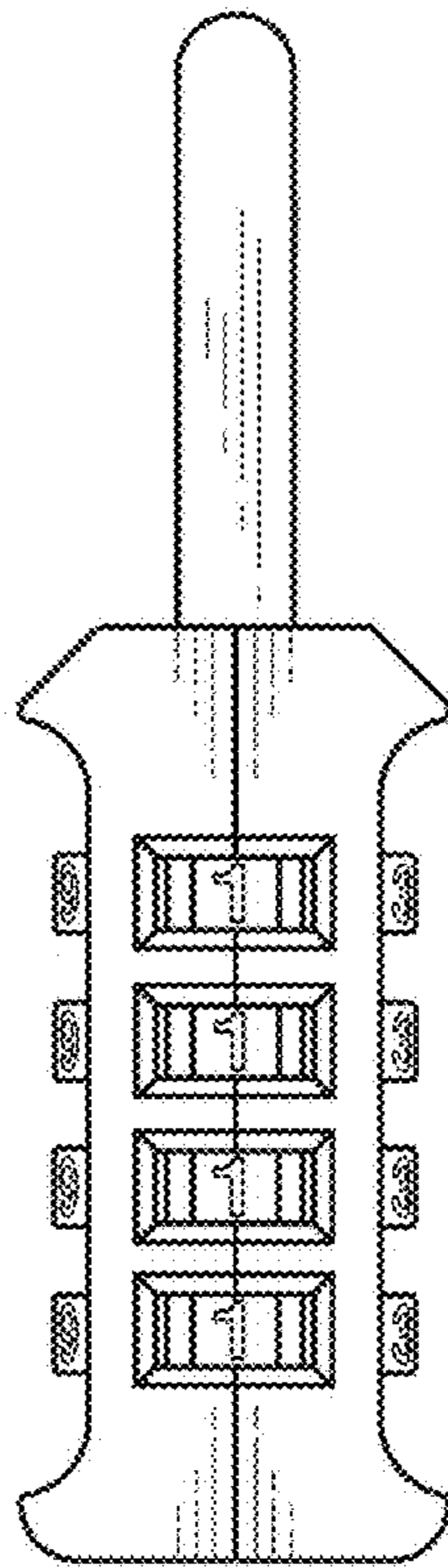


FIG.4

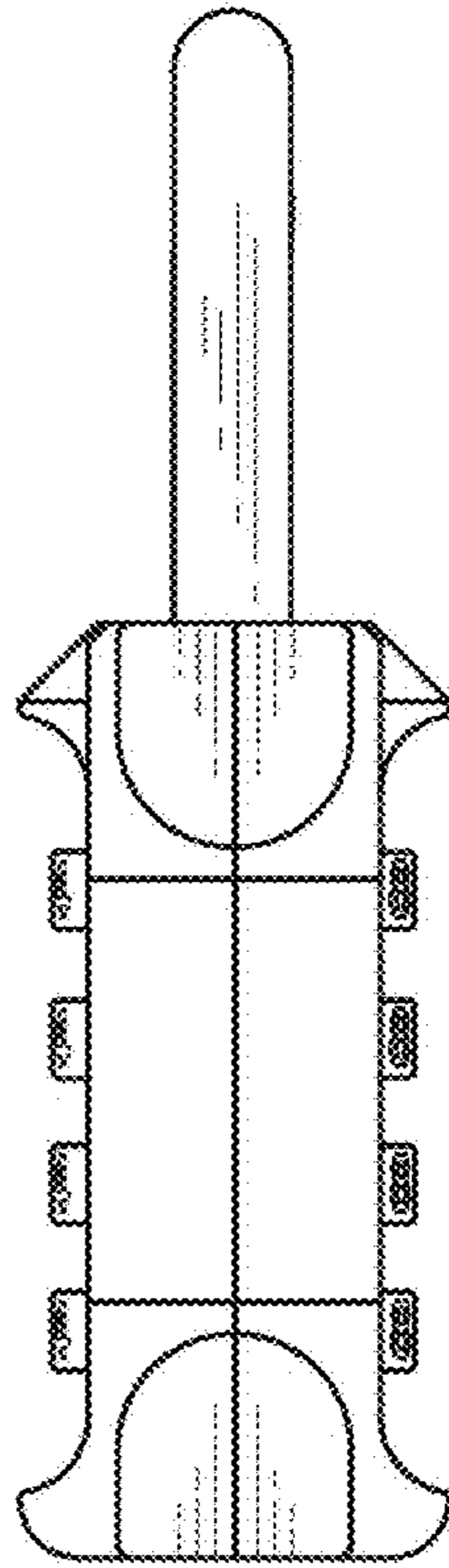


FIG.5

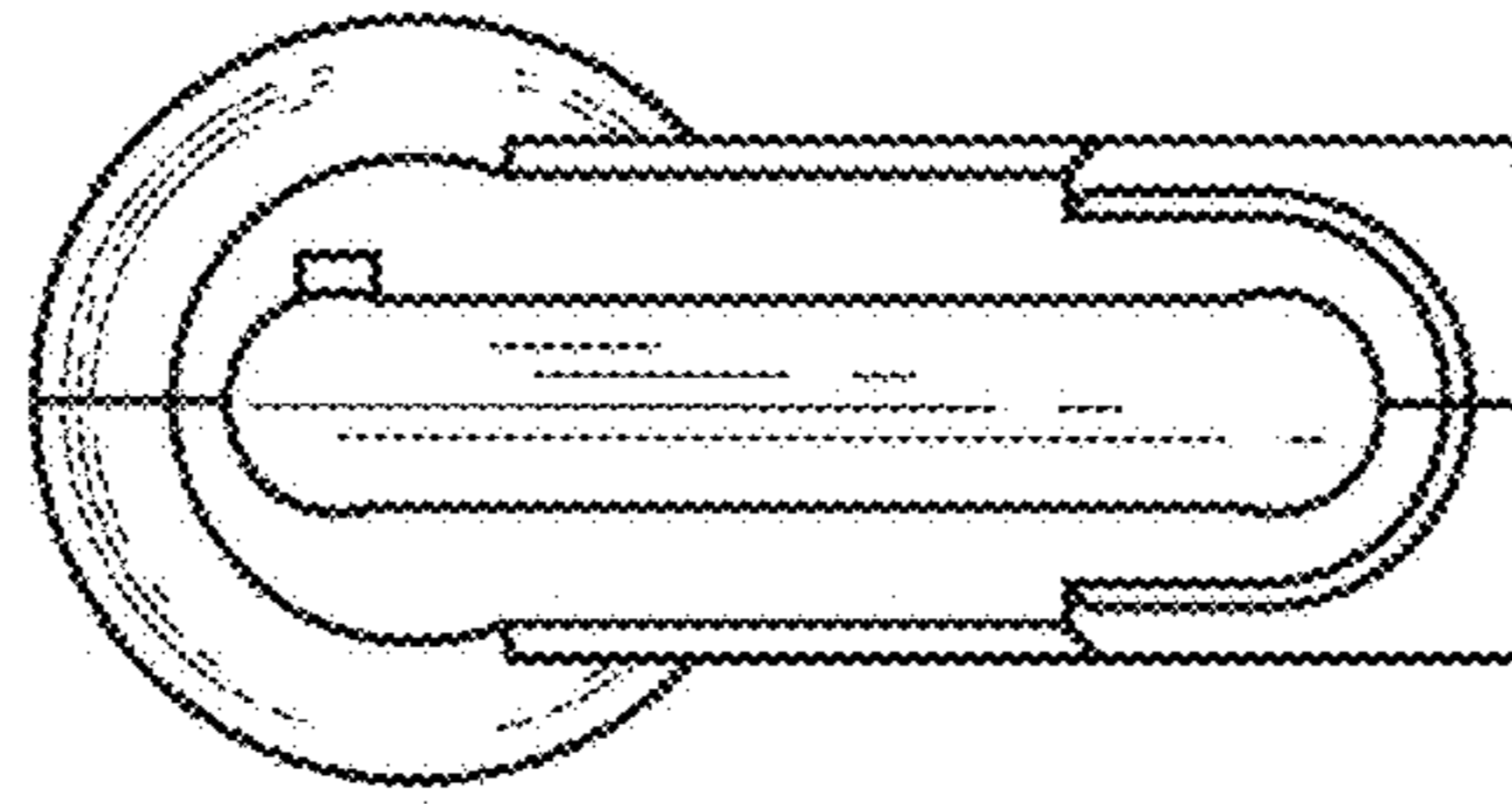


FIG.6

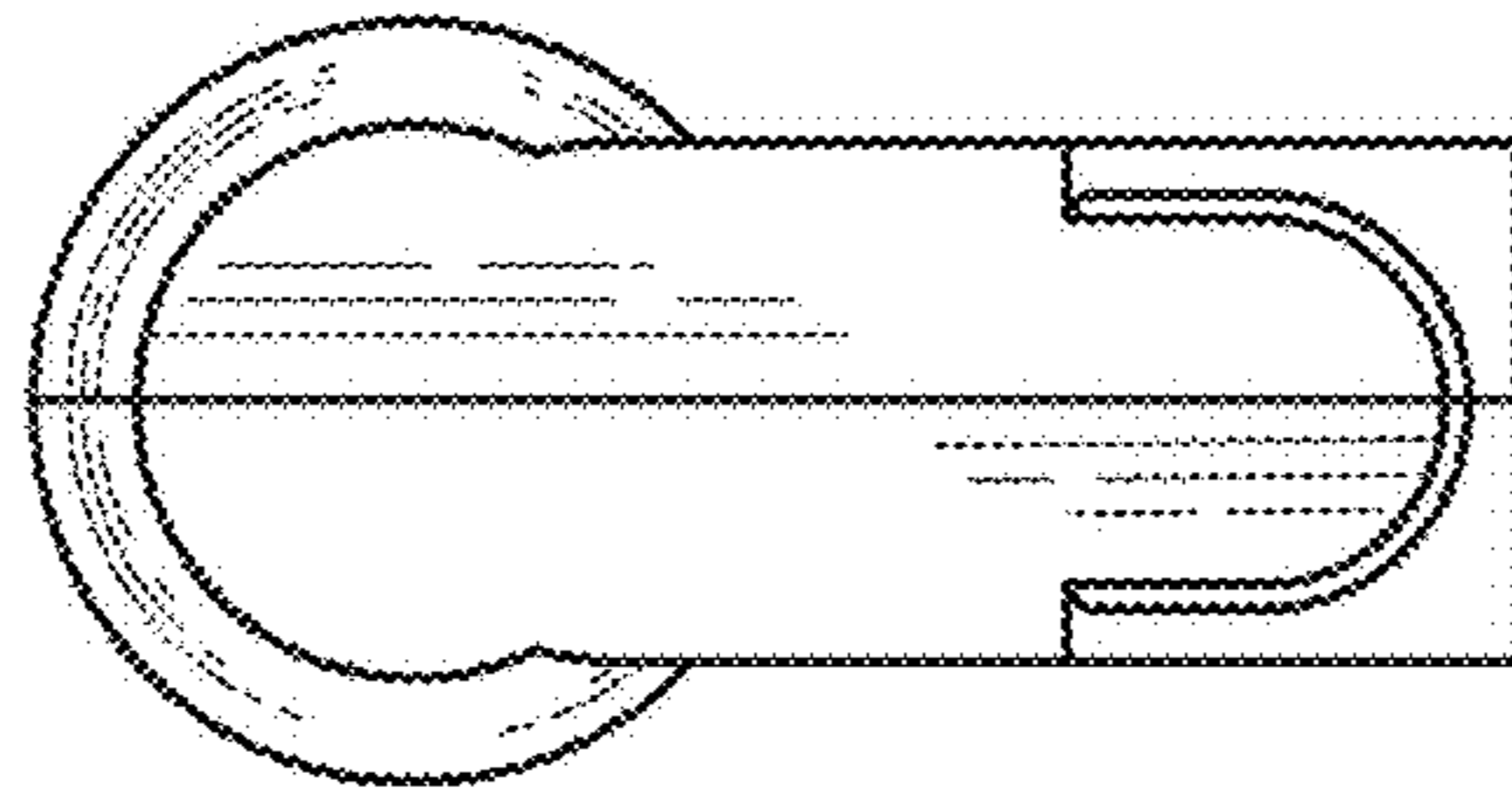


FIG.7

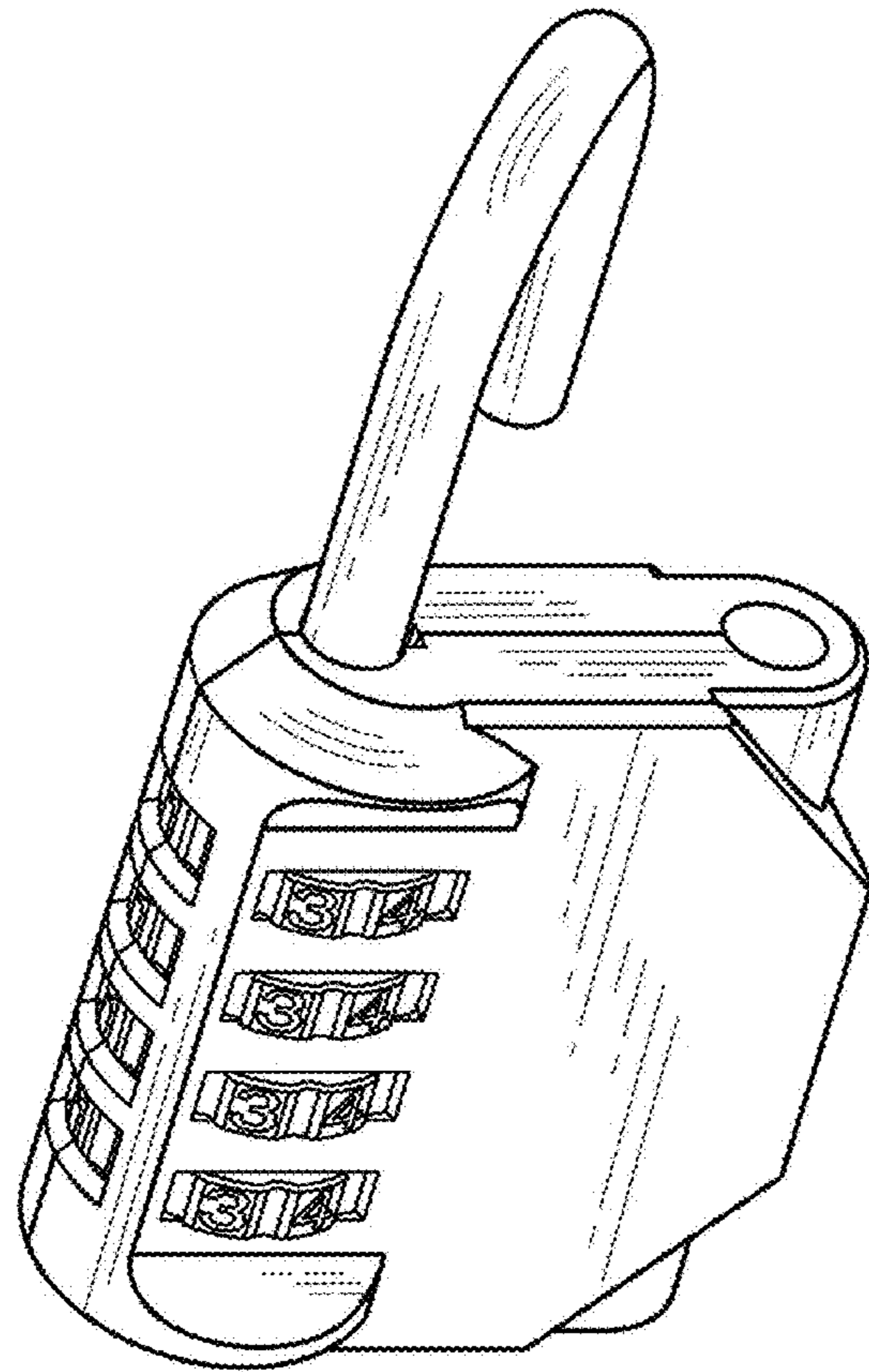


FIG.8