

US00D900589S

(12) **United States Design Patent** (10) **Patent No.:** **US D900,589 S**  
**Fisher** (45) **Date of Patent:** **\*\* Nov. 3, 2020**

(54) **ELECTRONIC LOCK BOX**

(71) Applicant: **SentriLock, LLC**, Cincinnati, OH (US)  
(72) Inventor: **Scott R. Fisher**, West Chester, OH (US)

(73) Assignee: **SentriLock, LLC**, Cincinnati, OH (US)

(\*\*) Term: **15 Years**

(21) Appl. No.: **29/700,975**

(22) Filed: **Aug. 7, 2019**

(51) **LOC (12) Cl.** ..... **08-07**

(52) **U.S. Cl.**  
USPC ..... **D8/333**

(58) **Field of Classification Search**  
USPC ..... D8/331, 333  
CPC ..... G07C 39/00; E05B 49/00; E05B 19/0005;  
E05B 73/0023; E07C 9/00309  
See application file for complete search history.

(56) **References Cited**

**U.S. PATENT DOCUMENTS**

2,460,615 A	2/1949	Andrew
3,436,937 A	4/1969	Barrett
3,812,403 A	5/1974	Gartner
3,901,057 A	8/1975	Coley, Sr.
4,286,445 A	9/1981	Sills
4,325,240 A	4/1982	Gable
4,532,783 A	8/1985	Maurice
4,556,872 A	12/1985	Masoncup et al.
4,609,780 A	9/1986	Clark
4,727,368 A	2/1988	Larson et al.
4,766,746 A	8/1988	Henderson et al.

(Continued)

**FOREIGN PATENT DOCUMENTS**

WO WO 86/00108 1/1986

**OTHER PUBLICATIONS**

U.S. Appl. No. 06/537,425, "Electronic Secure Entry System, Apparatus and Method," 31 pages.  
(Continued)

*Primary Examiner* — Doris Clark  
(74) *Attorney, Agent, or Firm* — Frederick H. Gribbell;  
Russell F. Gribbell

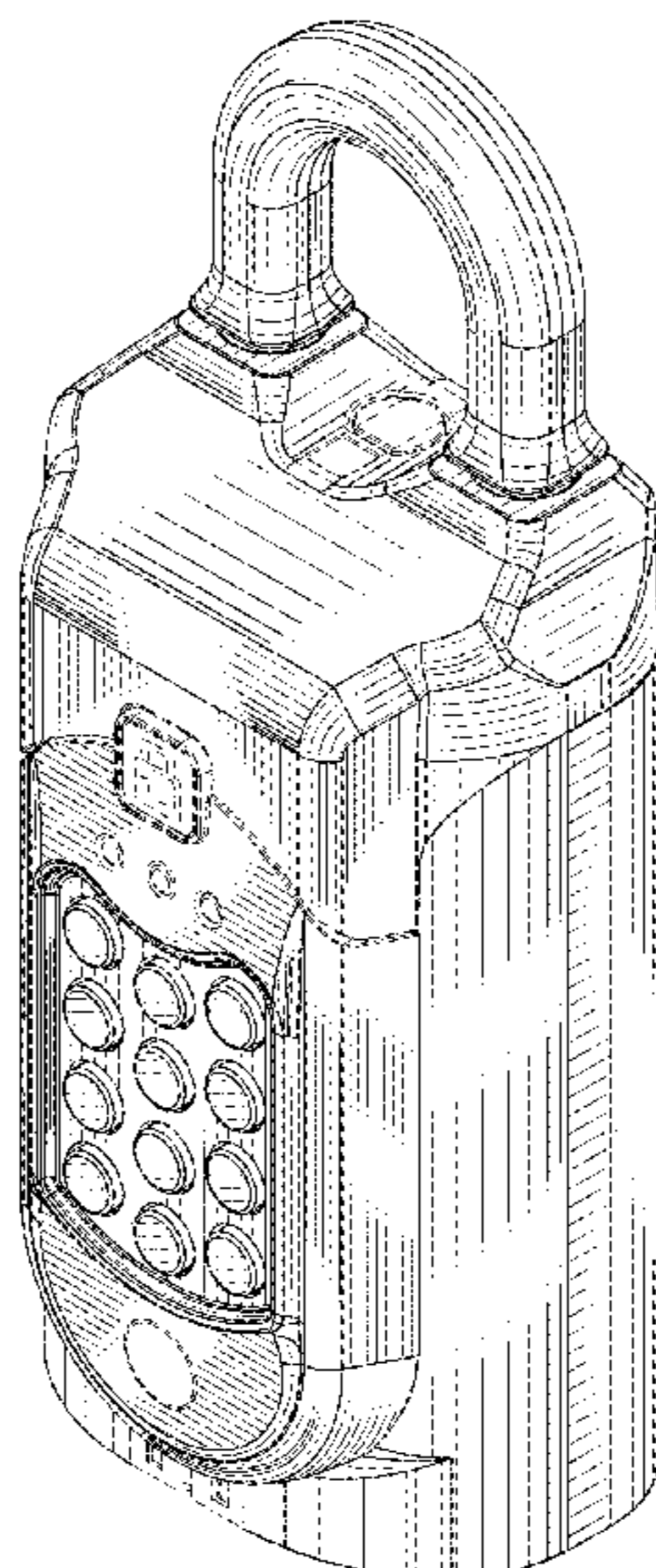
(57) **CLAIM**

The ornamental design for an electronic lock box, as shown and described.

**DESCRIPTION**

FIG. 1 is a top, front, and right side perspective view of an improved electronic lock box with its key compartment closed, showing my new design.  
FIG. 2 is a top, rear, and left side perspective view of the electronic lock box of FIG. 1, with its key compartment closed.  
FIG. 3 is a front, elevational view of the electronic lock box of FIG. 1.  
FIG. 4 is a rear, elevational view of the electronic lock box of FIG. 1.  
FIG. 5 is a right-hand side, elevational view of the electronic lock box of FIG. 1.  
FIG. 6 is a top, plan view of the electronic lock box of FIG. 1.  
FIG. 7 is a bottom, plan view of the electronic lock box of FIG. 1.  
FIG. 8 is a top, front, and right side perspective view of the electronic lock box of FIG. 1, with its key compartment open; and,  
FIG. 9 is a top, front, and right side perspective view of the electronic lock box of FIG. 1, with its shackle removed.  
The left-hand side of the electronic lock box is a mirror image of the right-hand side depicted in FIG. 5.  
The broken lines on FIGS. 1-9 are used to show unclaimed portions of the lock box.

**1 Claim, 8 Drawing Sheets**



(56)

References Cited

U.S. PATENT DOCUMENTS

D301,682 S 6/1989 Gardenswartz  
 4,838,052 A 6/1989 Williams et al.  
 4,851,652 A 7/1989 Imran  
 4,864,115 A 9/1989 Imran et al.  
 4,887,292 A 12/1989 Barrett et al.  
 4,896,246 A 1/1990 Henderson et al.  
 4,914,732 A 4/1990 Henderson et al.  
 4,916,443 A 4/1990 Barrett et al.  
 4,929,880 A 5/1990 Henderson et al.  
 4,947,163 A 8/1990 Henderson et al.  
 4,967,305 A 10/1990 Murrer et al.  
 4,988,987 A 1/1991 Barrett et al.  
 5,014,049 A 5/1991 Bosley  
 5,046,084 A 9/1991 Barrett et al.  
 5,046,339 A 9/1991 Krell  
 5,090,222 A 2/1992 Imran  
 5,245,652 A 9/1993 Larson et al.  
 5,280,518 A 1/1994 Danler et al.  
 5,351,042 A 9/1994 Aston  
 5,437,174 A 8/1995 Aydin  
 5,460,020 A 10/1995 Hungerford  
 5,477,213 A 12/1995 Atarashi  
 5,550,529 A 8/1996 Burge  
 5,561,996 A 10/1996 Chang  
 5,602,536 A 2/1997 Henderson et al.  
 5,605,066 A 2/1997 Hurskainen  
 D391,833 S \* 3/1998 Wasson ..... D8/333

5,758,522 A 6/1998 York  
 5,768,921 A 6/1998 Hill  
 5,791,172 A 8/1998 Deighton et al.  
 5,794,465 A 8/1998 Hill  
 D417,604 S 12/1999 Wasson et al.  
 6,041,480 A 3/2000 White  
 6,526,786 B1 3/2003 Kayoda  
 D488,048 S 4/2004 Wasson et al.  
 D495,234 S \* 8/2004 Fisher ..... D8/330  
 D545,173 S \* 6/2007 Wasson ..... D8/333  
 D615,842 S \* 5/2010 Freeman ..... D8/333  
 D622,129 S \* 8/2010 Spivey ..... D8/333  
 D636,252 S \* 4/2011 Wasson ..... D8/333  
 D638,277 S \* 5/2011 Yang ..... D8/333  
 9,536,359 B1 \* 1/2017 Gokcebay ..... E05B 47/06  
 9,830,760 B2 11/2017 Fisher  
 10,221,590 B2 \* 3/2019 Sanford ..... E05G 1/005  
 10,403,069 B2 \* 9/2019 Desinor, Jr. .... G07C 9/00896

OTHER PUBLICATIONS

Advertising brochures of AZCORP Technology (no date indicated), 11 pages.  
 Advertising brochures of MULTACC Corporation (no date indicated), 16 pages.  
 Advertising brochures of Supra Products, Inc. (1982), 8 pages.  
 Advertising brochures of Supra Products, Inc. (Nov. 29, 2001), 2 pages.

\* cited by examiner

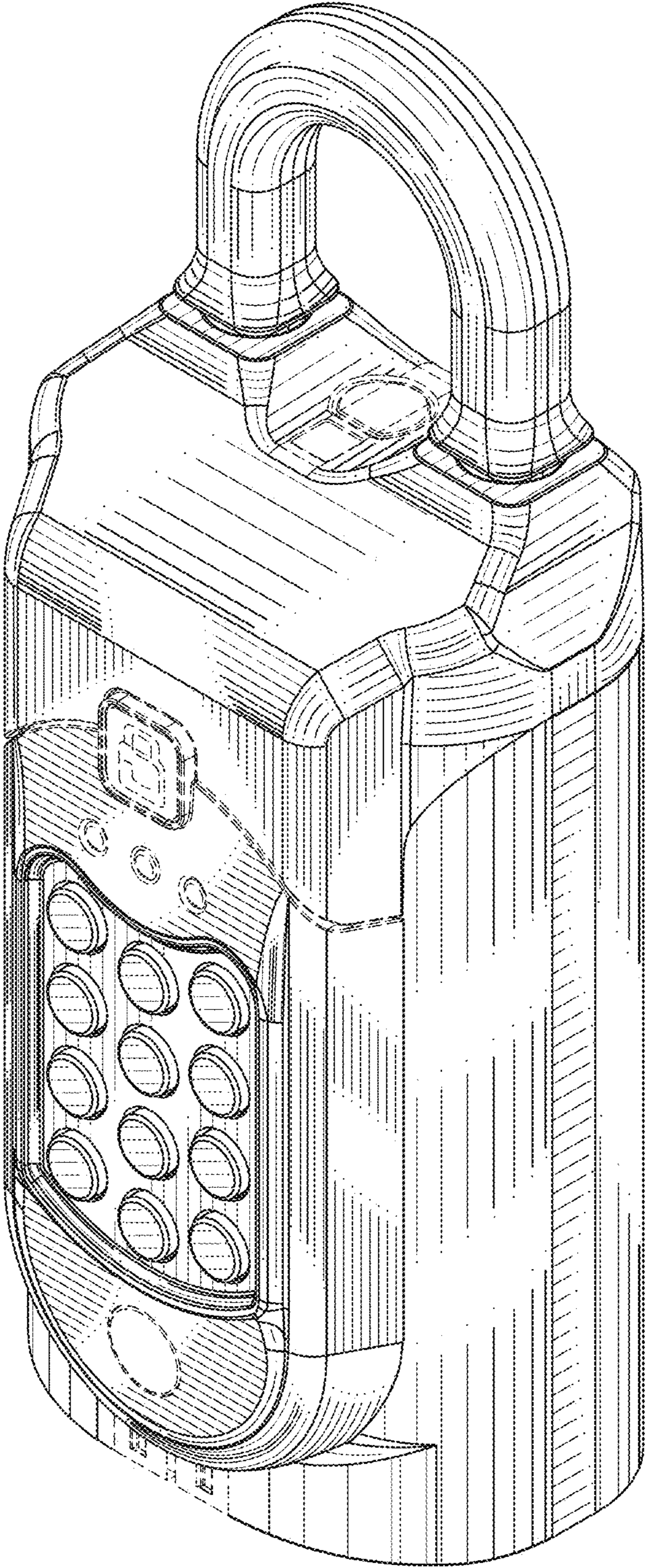


FIG. 1

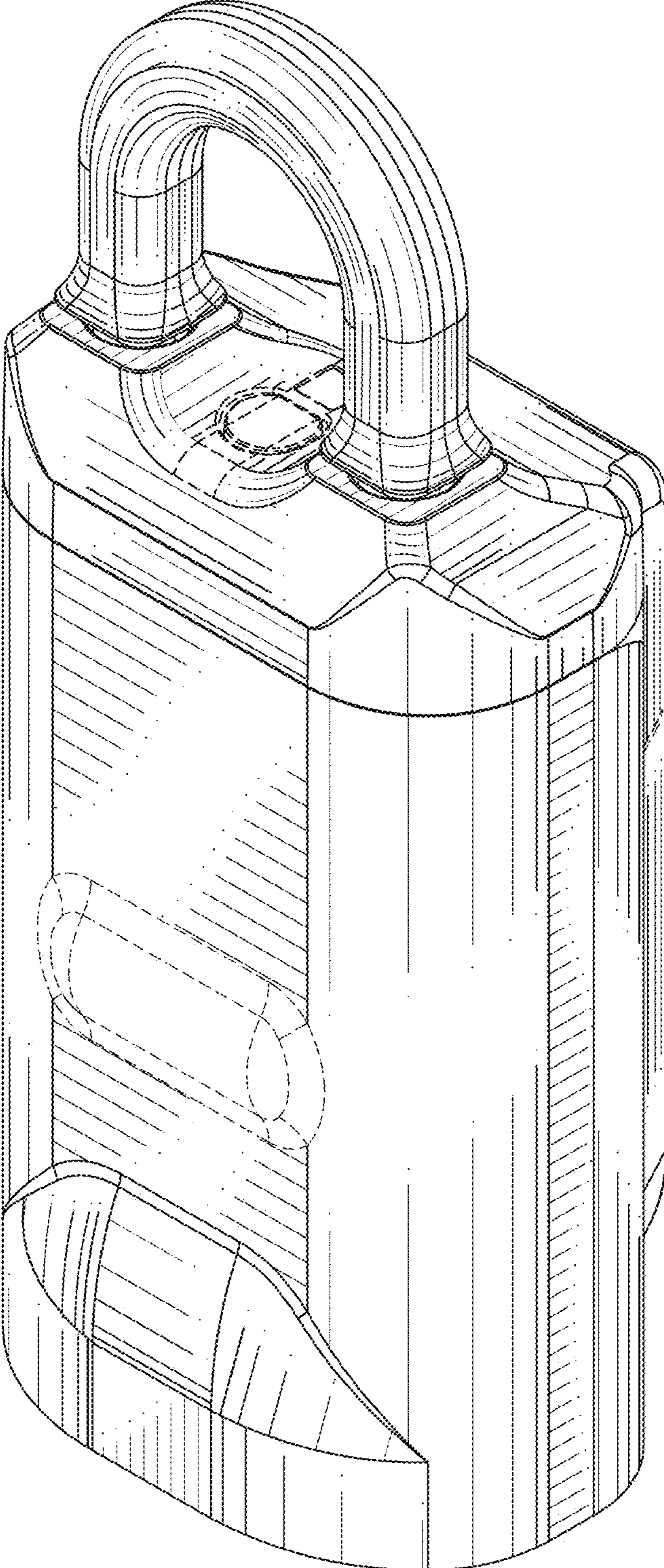


FIG. 2

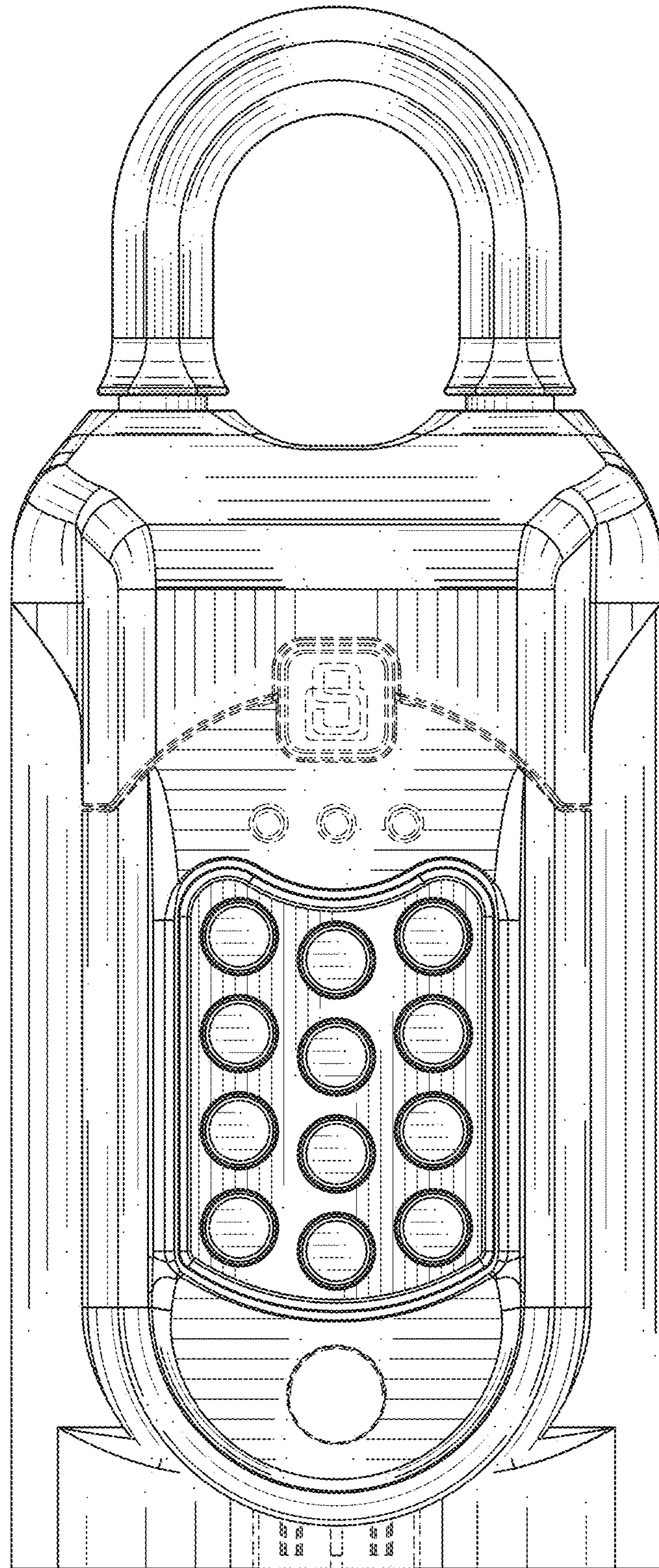


FIG. 3

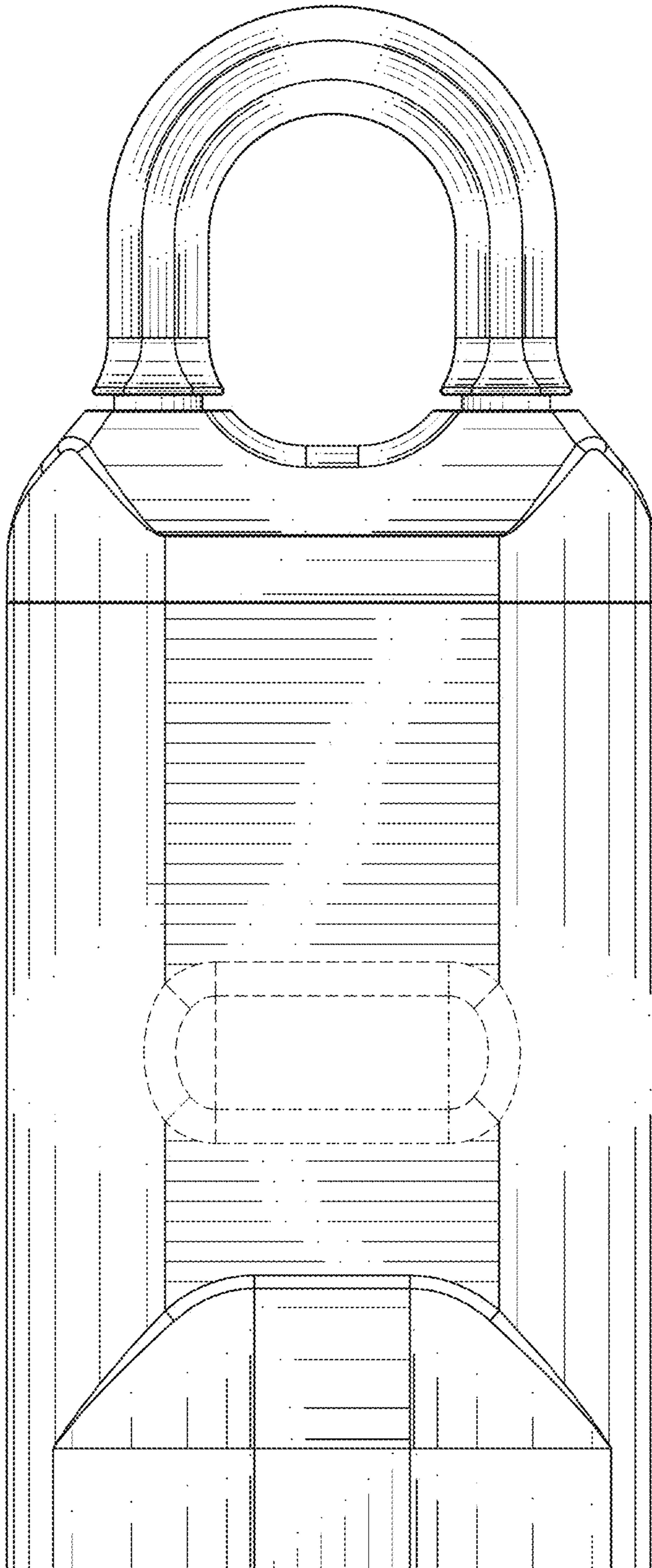


FIG. 4

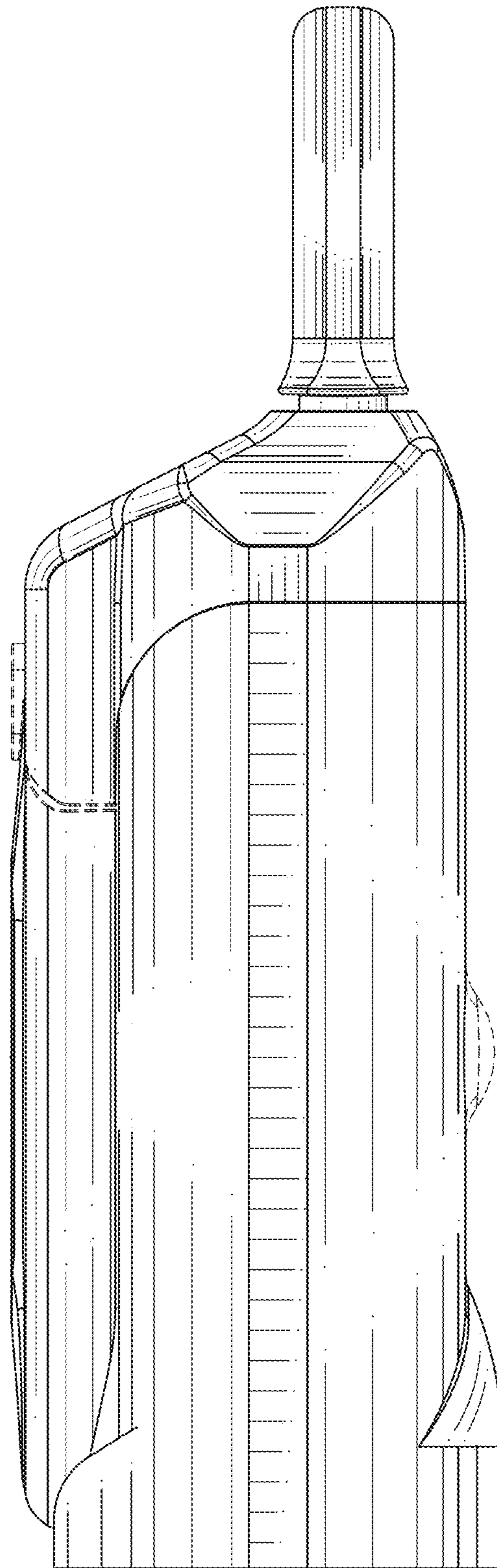


FIG. 5

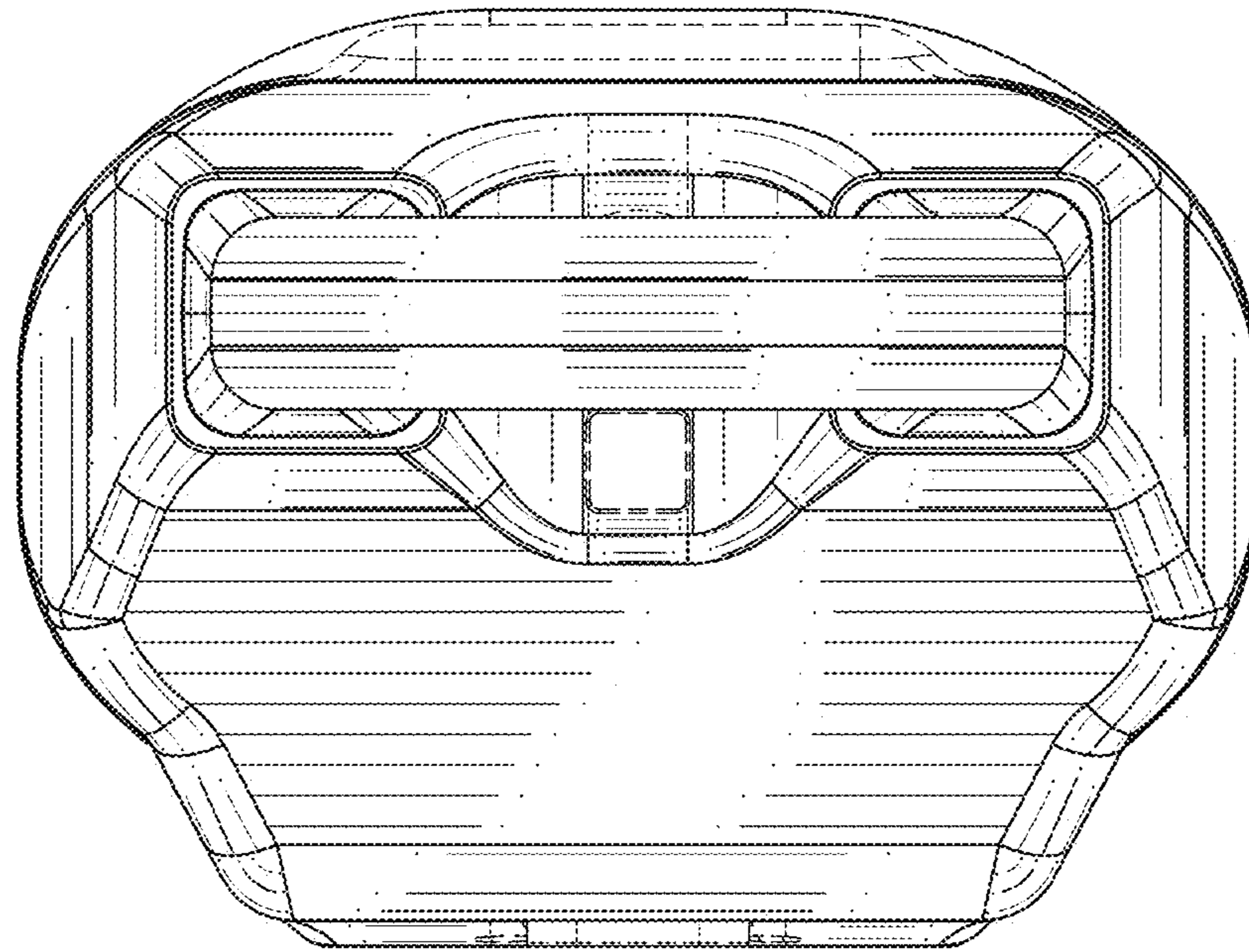


FIG. 6

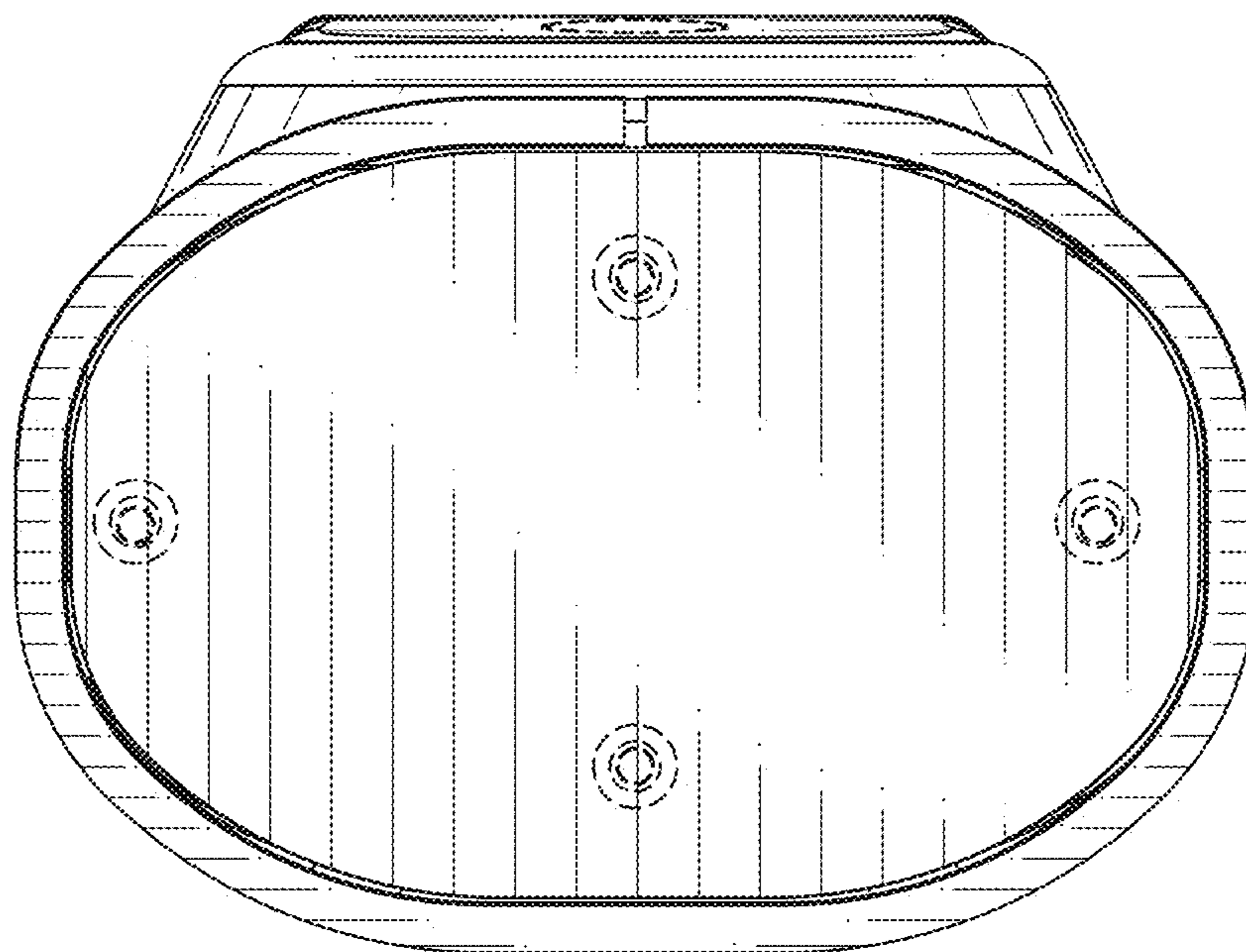


FIG. 7



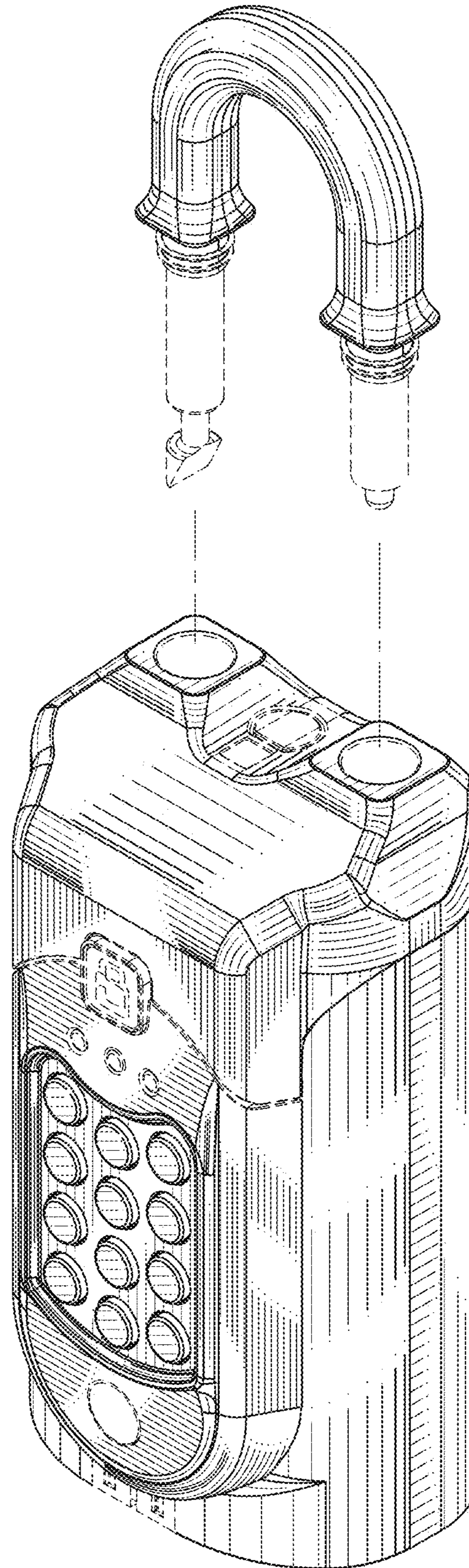


FIG. 8

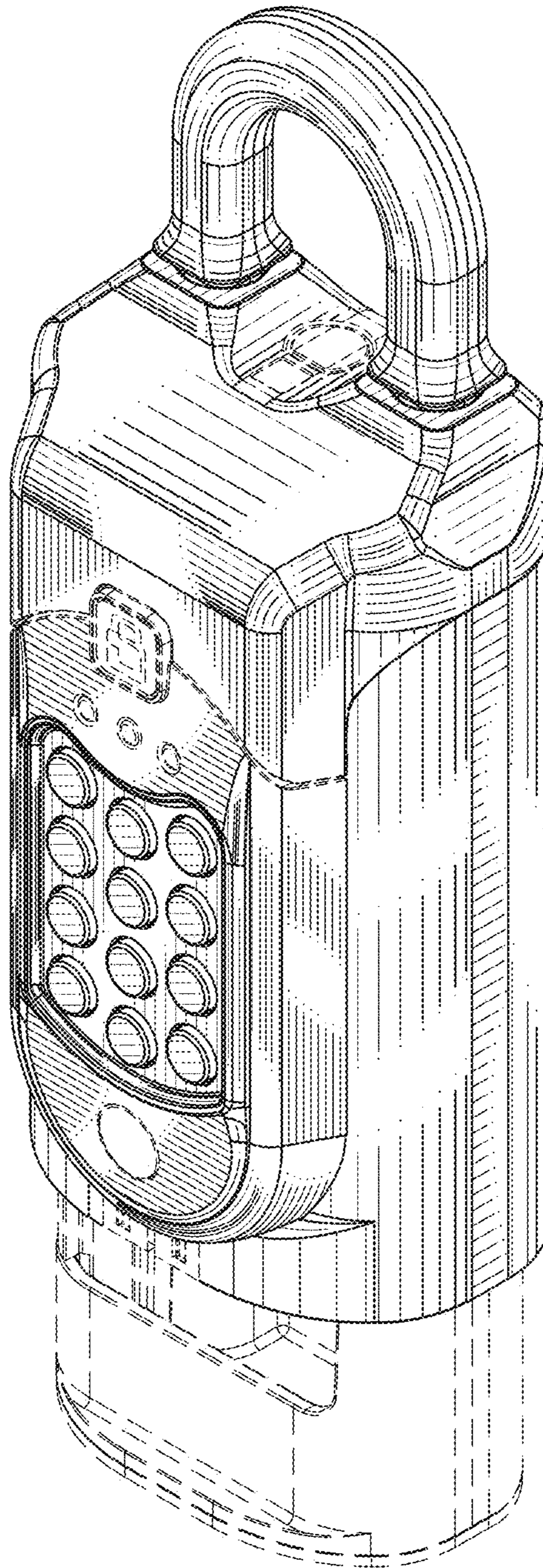


FIG. 9