



US00D900587S

(12) **United States Design Patent** (10) **Patent No.:** **US D900,587 S**
Clements et al. (45) **Date of Patent:** **** Nov. 3, 2020**

(54) **HANDLE**

FOREIGN PATENT DOCUMENTS

(71) Applicant: **WHIRLPOOL CORPORATION**,
Benton Harbor, MI (US)

CA 155274 * 5/2014
CN 302902426 * 8/2014

(Continued)

(72) Inventors: **Daniel V. Clements**, St. Joseph, MI
(US); **Christopher A. Gregory**, St.
Joseph, MI (US); **John A. Hall**,
Holland, MI (US); **Patrick J.**
Schiavone, Benton Harbor, MI (US);
Rex Wilson, St. Joseph, MI (US)

OTHER PUBLICATIONS

NPL #1: Kitchen cabinet pulls, brand not listed, published at
archdaily.com, posted Apr. 2, 2013, author not listed © 2008-2018
ArchDaily / © Peter Clarke, online, site visited Jan. 4, 2018.
Available from Internet, URL: [https://www.archdaily.com/353608/
cassell-street-house-b-e-architecture](https://www.archdaily.com/353608/cassell-street-house-b-e-architecture) (Year: 2013).*

(Continued)

(73) Assignee: **Whirlpool Corporation**, Benton
Harbor, MI (US)

Primary Examiner — Marissa J Cash

Assistant Examiner — Altaira J Swangin

(74) *Attorney, Agent, or Firm* — Price Heneveld LLP

(**) Term: **15 Years**

(21) Appl. No.: **29/589,136**

(22) Filed: **Dec. 28, 2016**

(51) **LOC (12) Cl.** **08-06**

(52) **U.S. Cl.**
USPC **D8/316**

(57) **CLAIM**

(58) **Field of Classification Search**
USPC D8/310, 312, 315-320, 300, 302, 308,
D8/309; 248/205.5, 205.8, 207; 16/406,
16/413, 422, 412, 415, 420, 443-444;
294/185-189; D15/89, 142; D3/300,
D3/317-319; D23/250; D7/349, 350.1;
292/336.3; D32/3, 2; D6/518, 705.4,
D6/705.5; 312/330.1, 348.6, 334.8
CPC A47K 3/003; A47K 17/022; A47K 17/024;
Y10T 16/4559; Y10T 16/498; Y10T
16/458; E05B 1/0053; E05B 1/0038;
E05B 2001/0023; E05B 1/0015
See application file for complete search history.

We claim the ornamental design for a handle, as shown and
described.

DESCRIPTION

FIG. 1 is a front perspective view of a handle of the present
disclosure;
FIG. 2 is a front elevational view of the handle of FIG. 1;
FIG. 3 is a rear elevational view of the handle of FIG. 1;
FIG. 4 is a first side elevational view of the handle of FIG.
1;
FIG. 5 is a second side elevational view of the handle of FIG.
1;
FIG. 6 is a top plan view of the handle of FIG. 1; and,
FIG. 7 is a bottom plan view of the handle of FIG. 1.
The broken lines depict unclaimed environment that forms
no part of the claimed design.

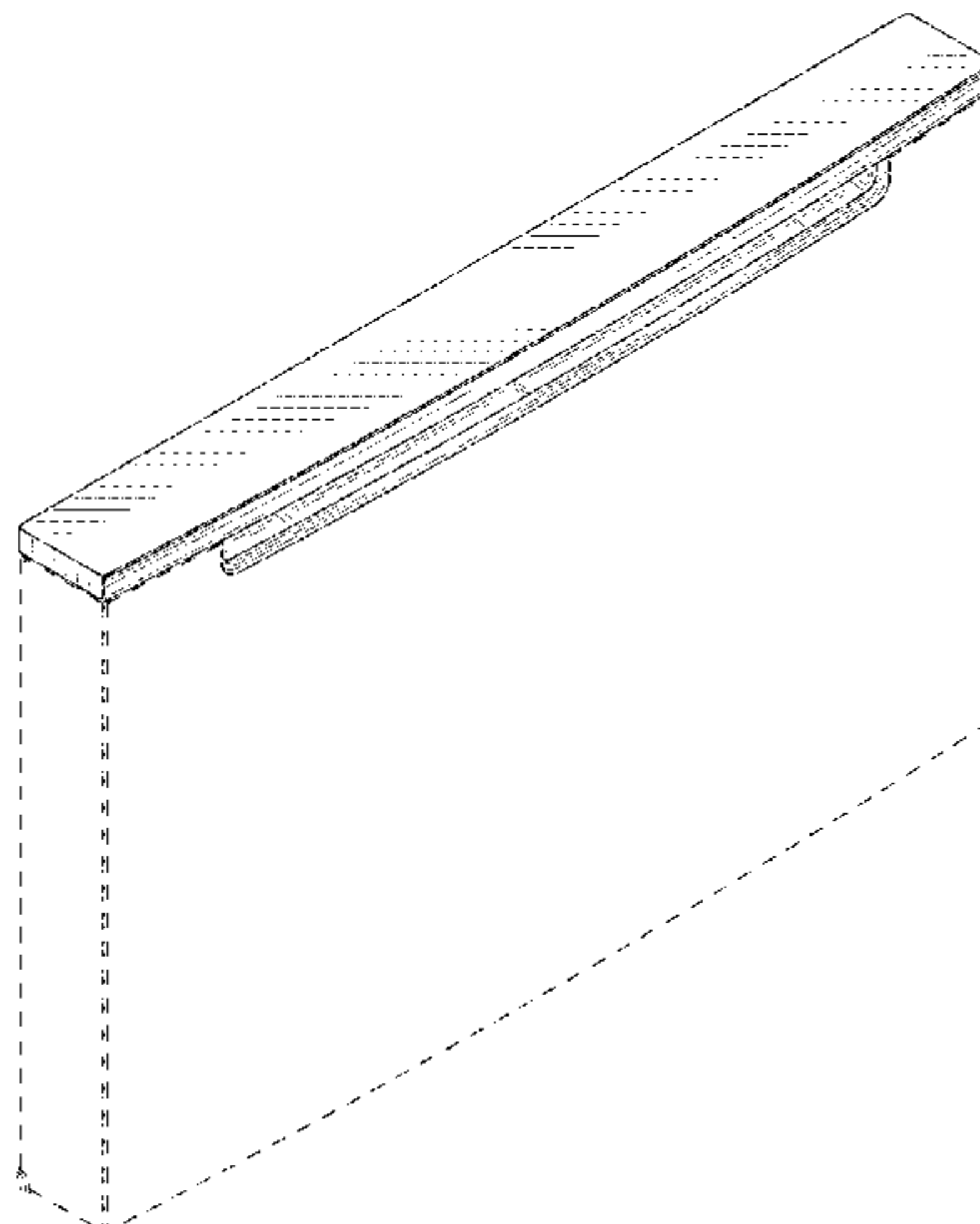
(56) **References Cited**

U.S. PATENT DOCUMENTS

D172,206 S * 5/1954 Anderson D8/313
2,805,911 A * 9/1957 Anderson A47B 95/02
312/348.6

D190,226 S 5/1961 Watt
(Continued)

1 Claim, 5 Drawing Sheets



(56)

References Cited

U.S. PATENT DOCUMENTS

D190,266 S 5/1961 Watt
 D219,619 S 12/1970 Young
 D266,122 S 9/1982 Haug
 4,379,603 A * 4/1983 Johnson A47B 95/02
 16/415
 D288,639 S * 3/1987 Johansson D6/663
 4,732,430 A * 3/1988 Byrns A47B 88/95
 312/330.1
 D322,385 S * 12/1991 Simonton D8/313
 5,074,009 A * 12/1991 Simonton A47B 95/02
 16/416
 D341,737 S * 11/1993 Shepherd D6/671.1
 D365,224 S * 12/1995 Pohlman D6/671.1
 5,496,105 A * 3/1996 Czarnecky A47B 67/04
 312/263
 D370,617 S 6/1996 Decursu et al.
 D377,721 S * 2/1997 Pohlman D6/657
 D400,424 S 11/1998 Lewis et al.
 D424,873 S 5/2000 Holbrook
 D449,215 S 10/2001 Bertani
 D450,212 S 11/2001 Gottwald
 D471,403 S 3/2003 Jones et al.
 D488,699 S 4/2004 Jackovin
 D502,788 S * 3/2005 Tsuruha D32/3
 D511,955 S 11/2005 Baldwin et al.
 D513,694 S 1/2006 Vitkauskas
 D524,103 S 7/2006 Bradshaw
 7,082,783 B2 * 8/2006 Uihlein F25D 23/021
 62/441
 D540,585 S * 4/2007 Igarashi D6/518
 D542,090 S 5/2007 Kim
 D544,657 S * 6/2007 Jung D32/2
 D568,100 S 5/2008 Jeon
 D572,110 S 7/2008 Busalt et al.
 D577,026 S * 9/2008 Wang D14/439
 D577,567 S 9/2008 Crookshanks
 D587,067 S 2/2009 Kim
 D600,961 S 9/2009 Krumpe
 D604,141 S * 11/2009 Reed D8/313
 D610,173 S 2/2010 Kim
 D610,594 S 2/2010 Martin et al.
 D612,677 S 3/2010 Jeon
 D614,012 S 4/2010 Saubert et al.
 D614,013 S 4/2010 Saubert et al.
 D616,721 S * 6/2010 Glass D8/313
 D620,211 S * 7/2010 Shail D32/25
 D627,937 S * 11/2010 Kim D32/2
 D627,939 S * 11/2010 Kim D32/2
 D654,310 S 2/2012 Benold
 D654,311 S 2/2012 Benold
 D656,692 S * 3/2012 Kim D32/2
 D658,746 S 5/2012 Obara et al.
 D661,546 S 6/2012 Baacke et al.
 D665,956 S * 8/2012 Eng D32/2
 D668,404 S * 10/2012 Eng D32/3
 D673,742 S * 1/2013 Eng D32/2
 D684,734 S * 6/2013 Eng D32/3
 D693,070 S * 11/2013 Eng D32/3
 D697,334 S 1/2014 Starck
 D698,507 S * 1/2014 Eng D32/3
 D706,502 S * 6/2014 Eng D32/3

D706,997 S * 6/2014 Eng D32/3
 D708,406 S * 7/2014 Eng D32/3
 9,038,216 B2 * 5/2015 Buege A61G 13/0018
 5/611
 D732,758 S * 6/2015 Roberson D32/3
 D732,761 S * 6/2015 Roberson D32/3
 D734,902 S * 7/2015 Eng D32/3
 D737,653 S 9/2015 Fuller et al.
 D741,031 S * 10/2015 Roberson D32/3
 D743,121 S * 11/2015 Roberson D32/3
 D745,755 S * 12/2015 Roberson D32/3
 D748,353 S * 1/2016 Roberson D32/3
 D748,874 S * 2/2016 Roberson D32/3
 D755,454 S * 5/2016 Roberson D32/3
 D755,455 S * 5/2016 Roberson D32/3
 D756,046 S * 5/2016 Roberson D32/3
 9,332,840 B2 * 5/2016 Horii A47B 88/493
 D765,321 S * 8/2016 Fuller D32/3
 D765,923 S * 9/2016 Roberson D32/3
 D765,925 S * 9/2016 Roberson D32/3
 D778,008 S * 1/2017 Roberson D32/3
 D778,009 S * 1/2017 Roberson D32/3
 D801,600 S * 10/2017 Kim D32/2
 D801,601 S * 10/2017 Kim D32/3
 D803,279 S * 11/2017 Cho D15/89
 D803,491 S * 11/2017 Kahwaji D32/3
 D804,749 S * 12/2017 Tong D32/2
 D806,763 S * 1/2018 Cho D15/86
 D821,666 S * 6/2018 Bouchonnet D32/2
 D827,952 S * 9/2018 Kim D32/3
 D845,564 S * 4/2019 Tong D32/2
 D846,209 S * 4/2019 Tong D32/2
 D859,757 S * 9/2019 Roberson D32/3
 D866,883 S * 11/2019 Kim D32/2
 D885,695 S * 5/2020 Kim D32/3
 2013/0113351 A1 * 5/2013 Eng A47L 15/4257
 312/228.1

FOREIGN PATENT DOCUMENTS

CN 303532486 * 12/2015
 KR 300919428 * 8/2018

OTHER PUBLICATIONS

NPL #1: HB 1575 Bi-Fold/Pivot Flush Pull, Halliday Bailie, hal-
 lidaybaillie.com, author unlisted, published Mar. 3, 2019 per wayback
 machine © not listed, online, site visited Jun. 30, 2020. Available at
 URL: [http://www.hallidaybaillie.com/data/media/documents/CAT%
 20flush%20pulls%20-%20chapter.pdf](http://www.hallidaybaillie.com/data/media/documents/CAT%20flush%20pulls%20-%20chapter.pdf) (Year: 2019).*
 NPL #2: 24" Pocket Handle 500 Series, Bosch, blog.bostonappliance.
 net, published by Boston Appliance on Jul. 16, 2015 © 2020 Boston
 Appliance Company, online, site visited Jun. 30, 2020. Available
 from Internet, URL: [https://blog.bostonappliance.net/most-popular-
 bosch-dishwasher-of-2015/](https://blog.bostonappliance.net/most-popular-bosch-dishwasher-of-2015/) (Year: 2015).*
 NPL #3: Top Control Tall Tub Built-In Dishwasher, Whirlpool,
 homedepot.com, author unlisted, published on Nov. 12, 2018 per
 wayback machine © 2000-2020 Home Depot Product Authority,
 LLC, online, site visited Jun. 30, 2020. Available at URL: [https://
 www.homedepot.com/p/Whirlpool-Top-Control-Tall-Tub-Built . . .](https://www.homedepot.com/p/Whirlpool-Top-Control-Tall-Tub-Built...)
 (Year: 2018).*

* cited by examiner

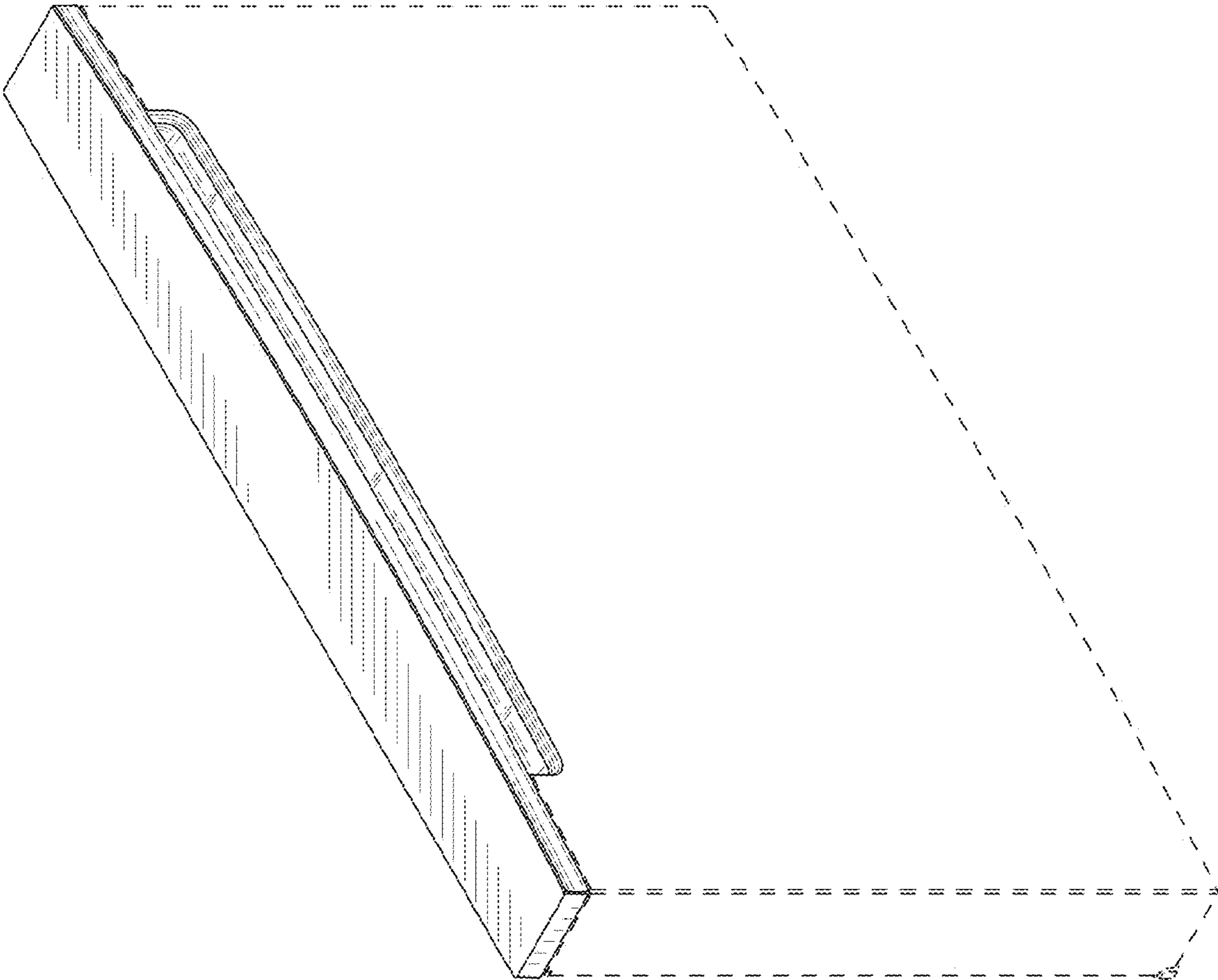


FIG. 1

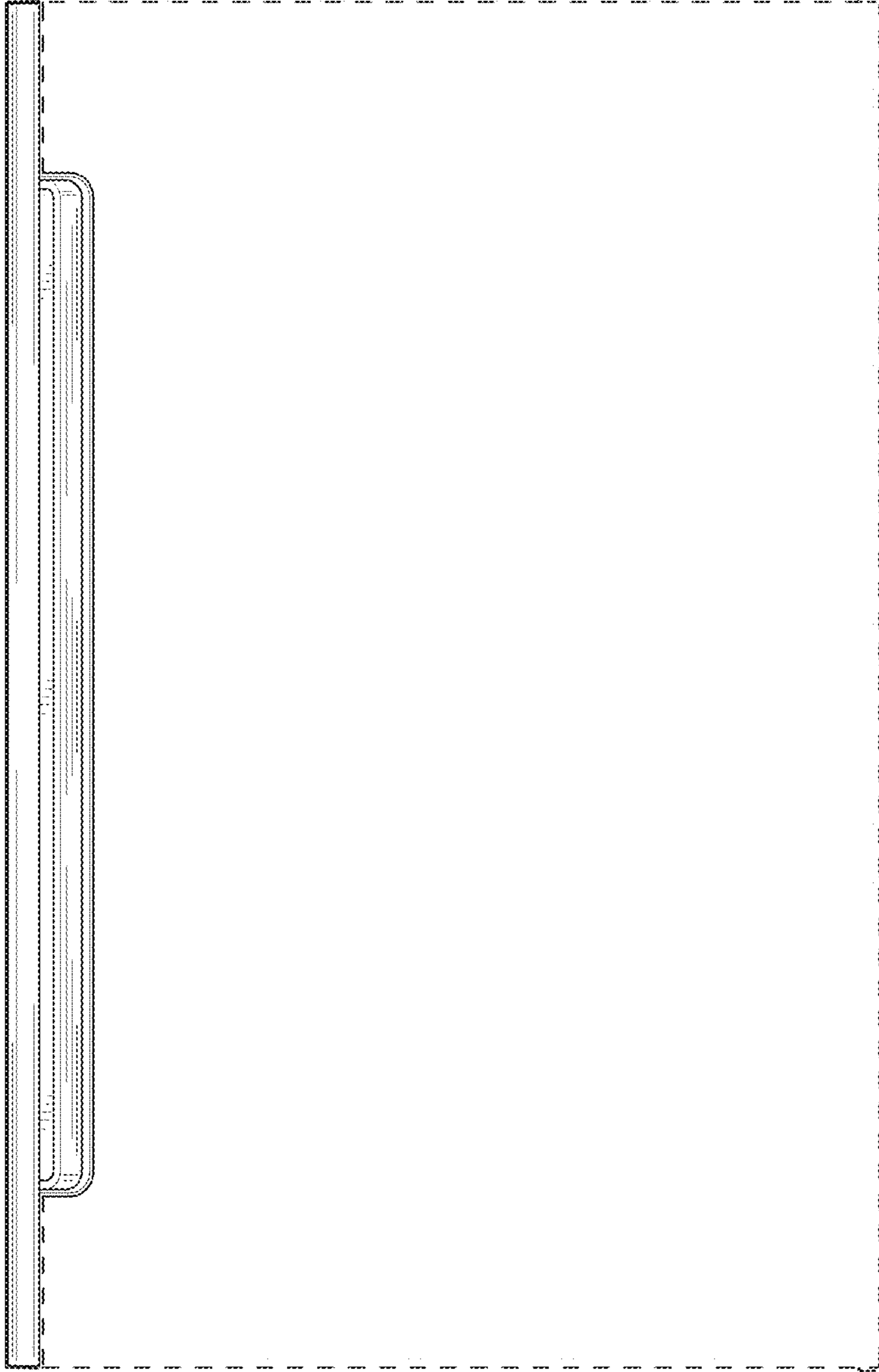


FIG. 2

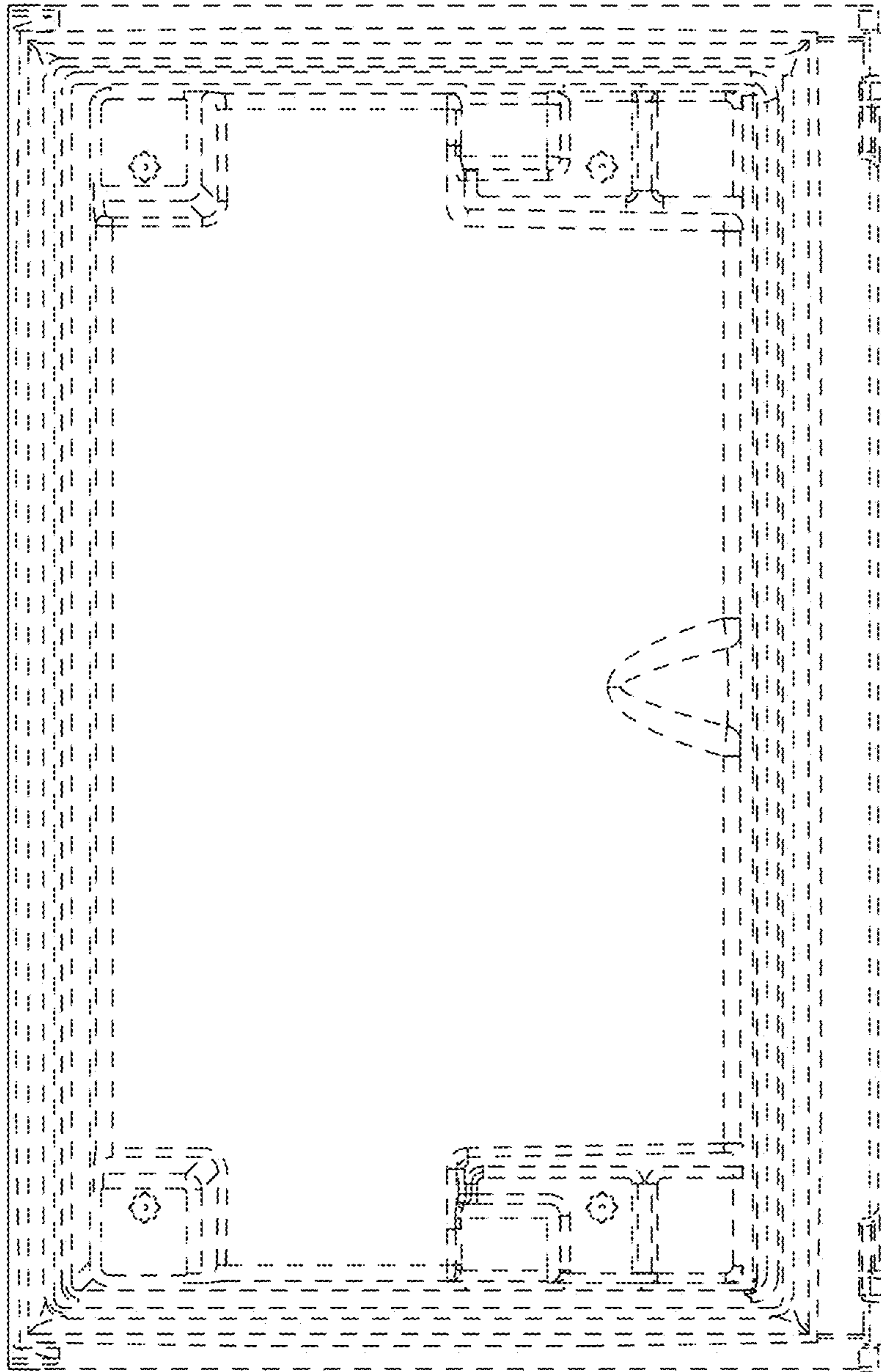


FIG. 3

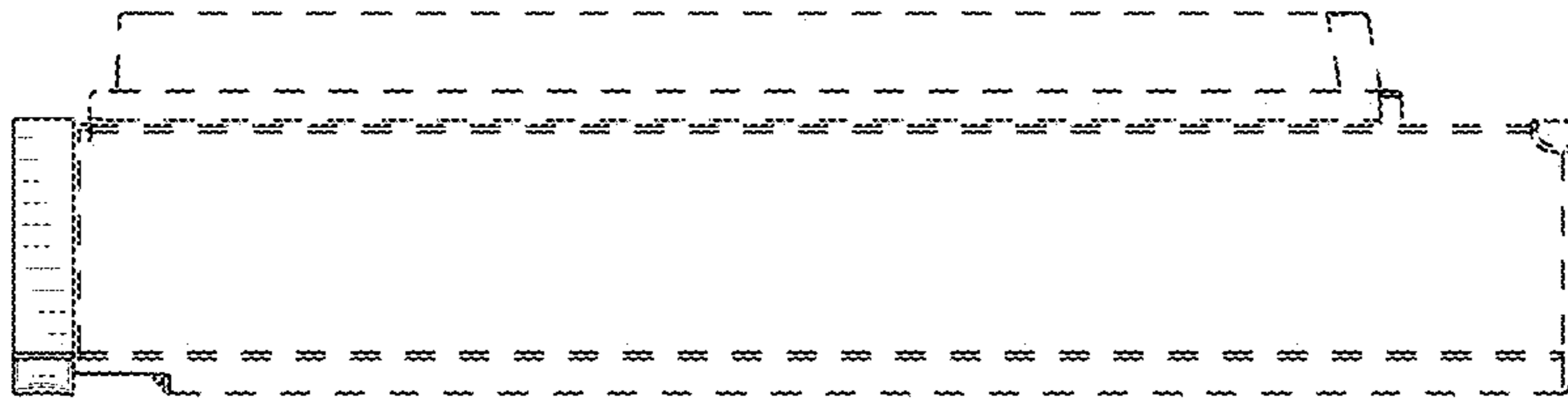


FIG. 5

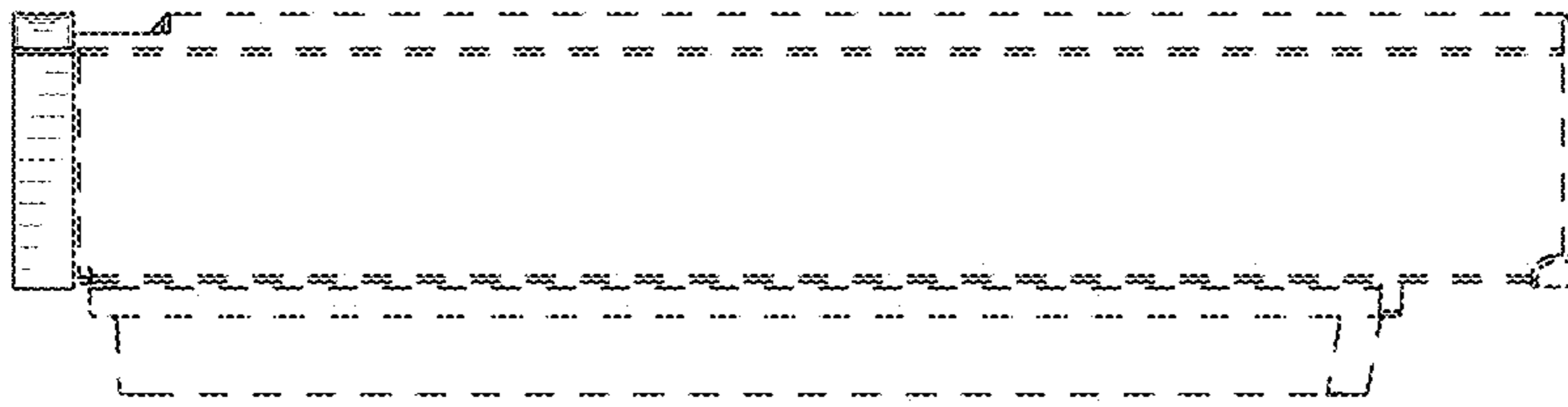


FIG. 4

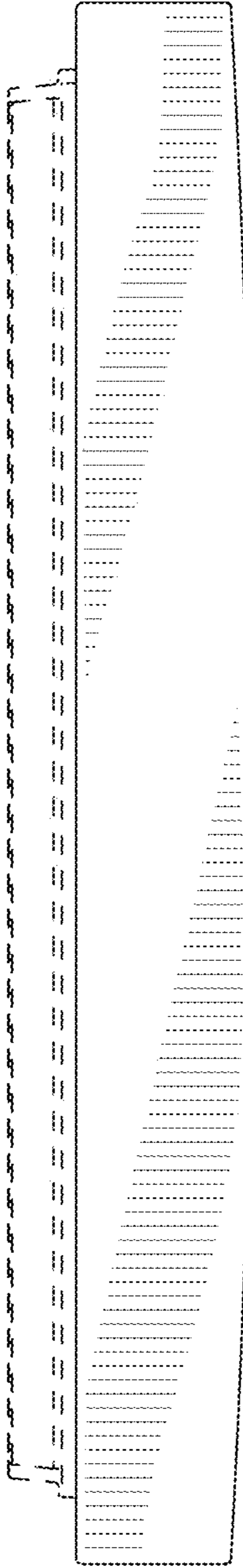


FIG. 6

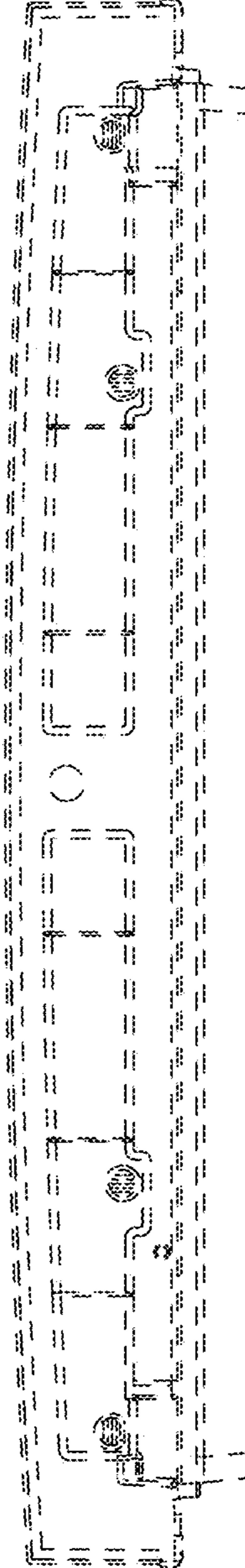


FIG. 7