



US00D900582S

(12) **United States Design Patent**
Stallegger

(10) **Patent No.:** **US D900,582 S**

(45) **Date of Patent:** **** Nov. 3, 2020**

- (54) **KNIFE SHARPENER**
- (71) Applicant: **Harald Stallegger**, Pöndorf (AT)
- (72) Inventor: **Harald Stallegger**, Pöndorf (AT)
- (**) Term: **15 Years**
- (21) Appl. No.: **29/697,467**
- (22) Filed: **Jul. 9, 2019**
- (51) **LOC (12) Cl.** **08-05**
- (52) **U.S. Cl.**
USPC **D8/92**
- (58) **Field of Classification Search**
USPC D8/90, 91, 92, 93
CPC B24D 15/081; B24D 15/04; B24D 15/00;
B24D 15/06; B24D 15/08
See application file for complete search history.

- 6,905,403 B2 * 6/2005 Stallegger B24D 15/081
451/45
- 7,393,266 B2 * 7/2008 Stallegger B24D 15/081
451/312
- 7,503,241 B2 * 3/2009 Dassaud B24D 15/081
451/486
- D826,667 S * 8/2018 Skeuse D8/63
- D884,451 S * 5/2020 Li D8/93
- 2004/0014415 A1 * 1/2004 Stallegger B24D 15/081
451/555

* cited by examiner

Primary Examiner — Philip S Hyder

(74) *Attorney, Agent, or Firm* — Leydig, Voit & Mayer, Ltd.

(57) **CLAIM**

The ornamental design for a knife sharpener, as shown and described.

DESCRIPTION

FIG. 1 is a perspective view taken from the front, top, and right side of a knife sharpener in accordance with the new design.

FIG. 2 is a front view of the knife sharpener of FIG. 1.

FIG. 3 is a rear view of the knife sharpener of FIG. 1.

FIG. 4 is a right side view of the knife sharpener of FIG. 1.

FIG. 5 is a left side view of the knife sharpener of FIG. 1.

FIG. 6 is a top plan view of the knife sharpener of FIG. 1; and,

FIG. 7 is a bottom view of the knife sharpener of FIG. 1.

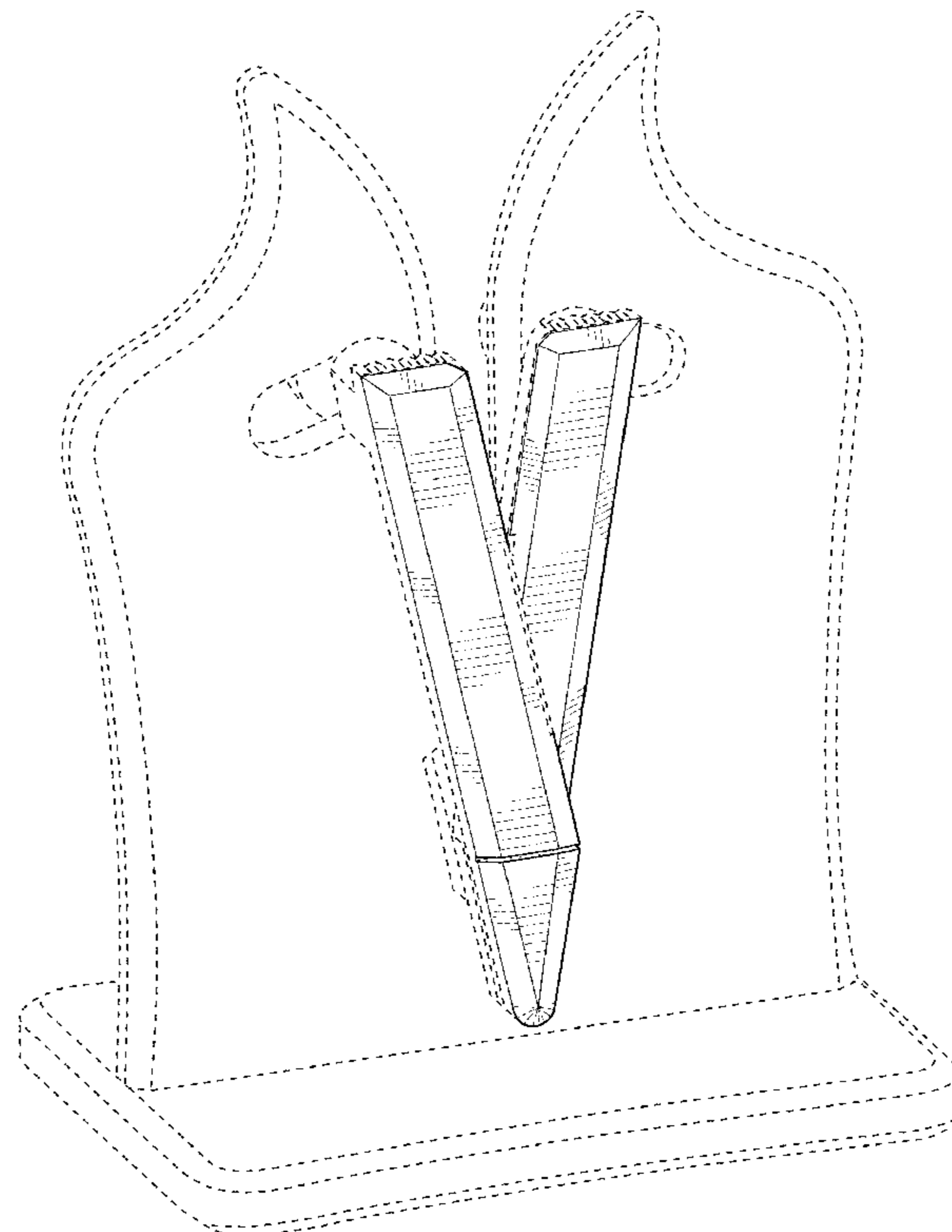
The broken lines shown in the drawings illustrate portions of the knife sharpener that form no part of claimed design.

1 Claim, 7 Drawing Sheets

(56) **References Cited**

U.S. PATENT DOCUMENTS

- 4,934,110 A * 6/1990 Juranitch B24D 15/081
451/486
- 5,040,435 A * 8/1991 Millman B24D 15/081
451/486
- 5,440,953 A * 8/1995 Gangelhoff B24D 15/081
451/486
- 5,478,272 A * 12/1995 Cozzini B24D 15/081
451/486
- 5,655,953 A * 8/1997 Murakami B24B 5/045
451/10
- 6,866,569 B2 * 3/2005 Cozzini B24D 15/081
451/319



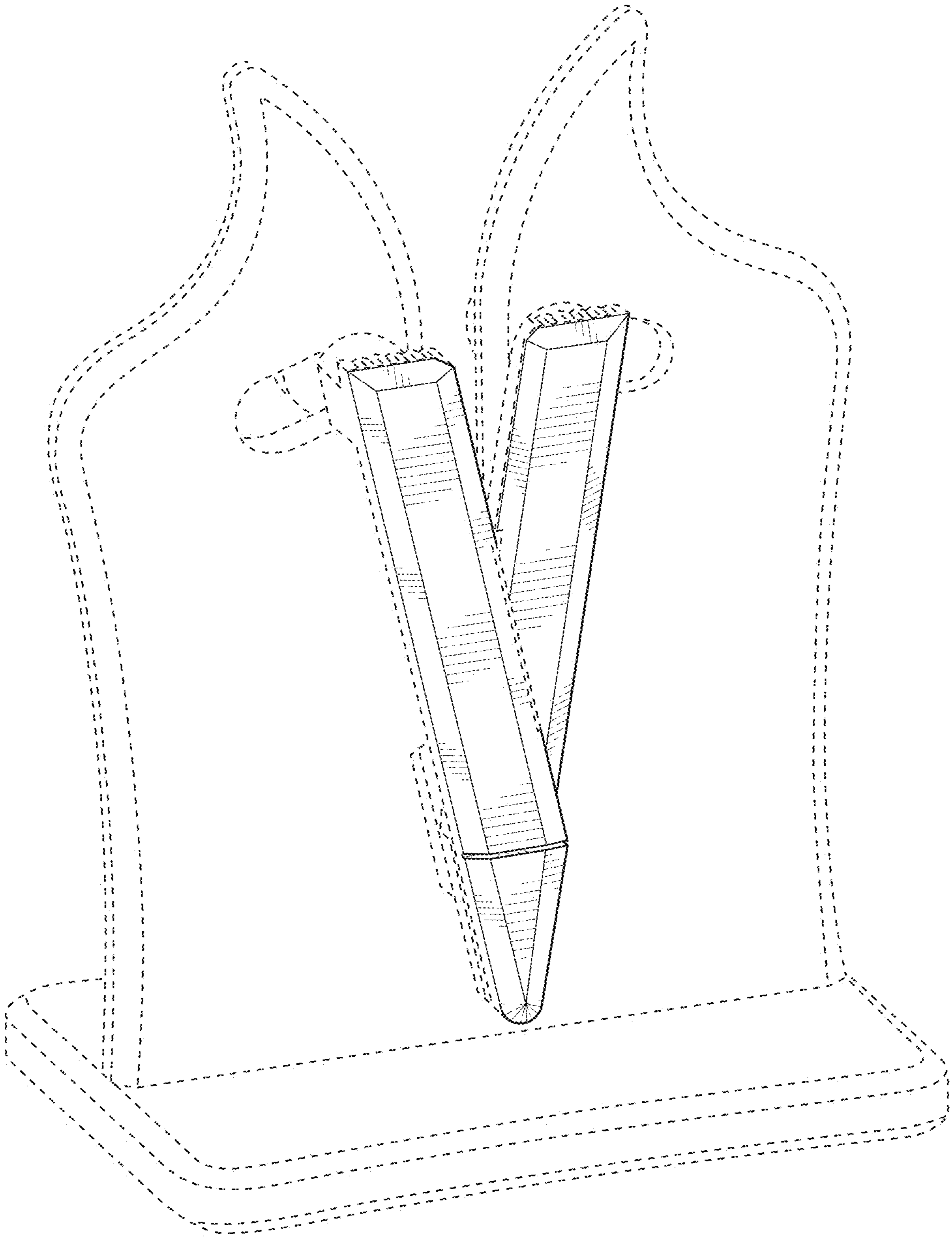


FIG. 1

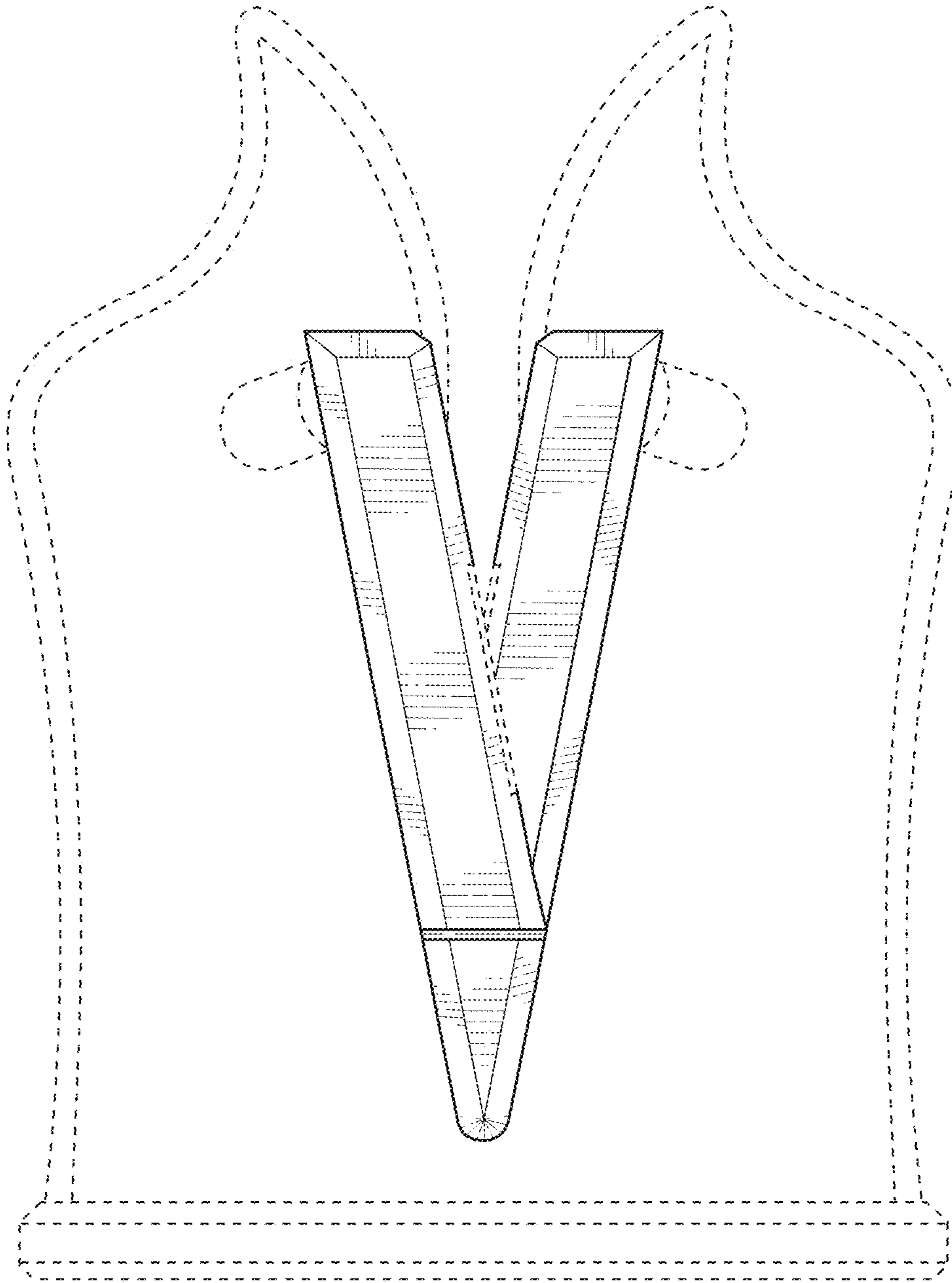


FIG. 2

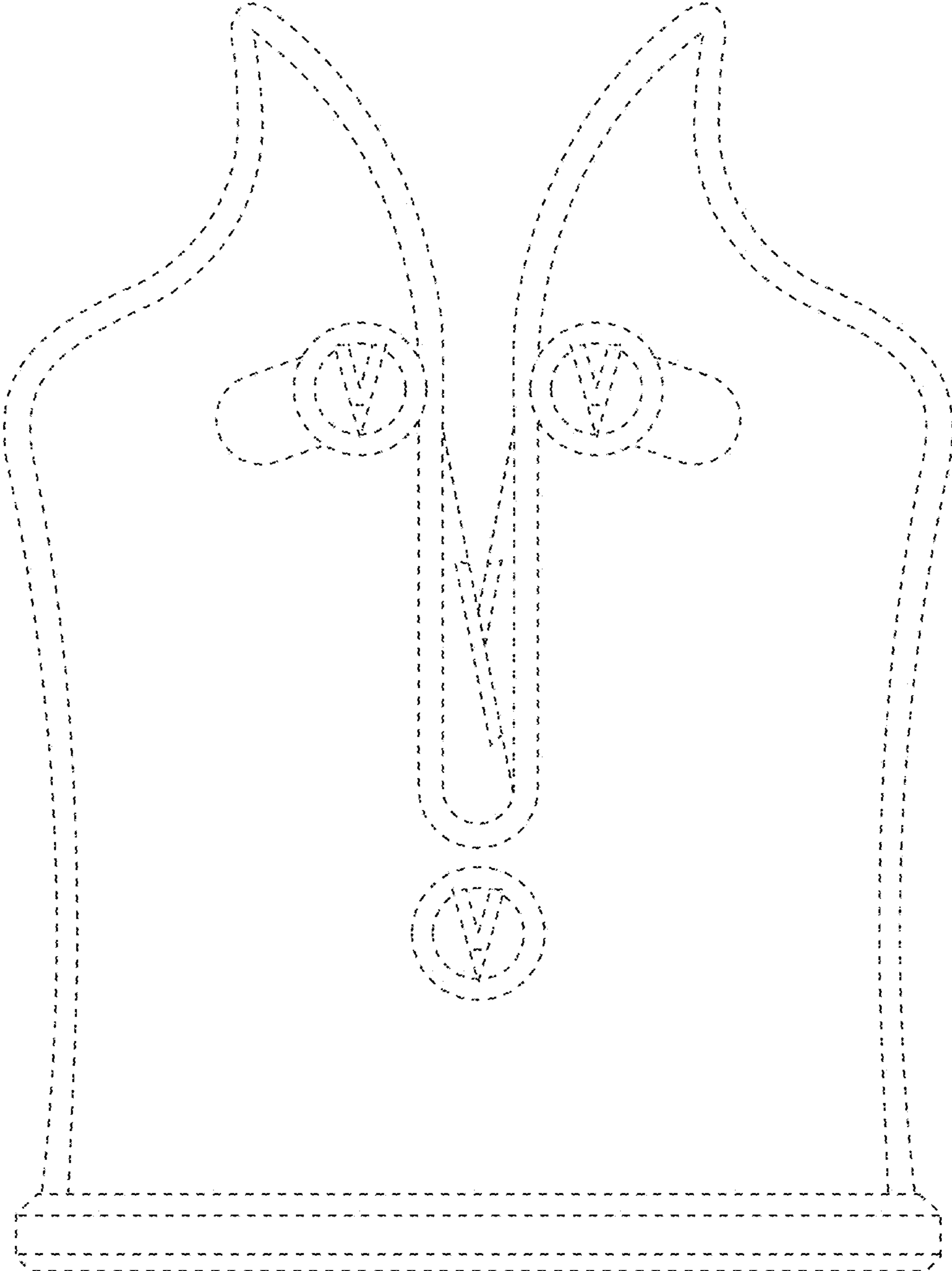


FIG. 3

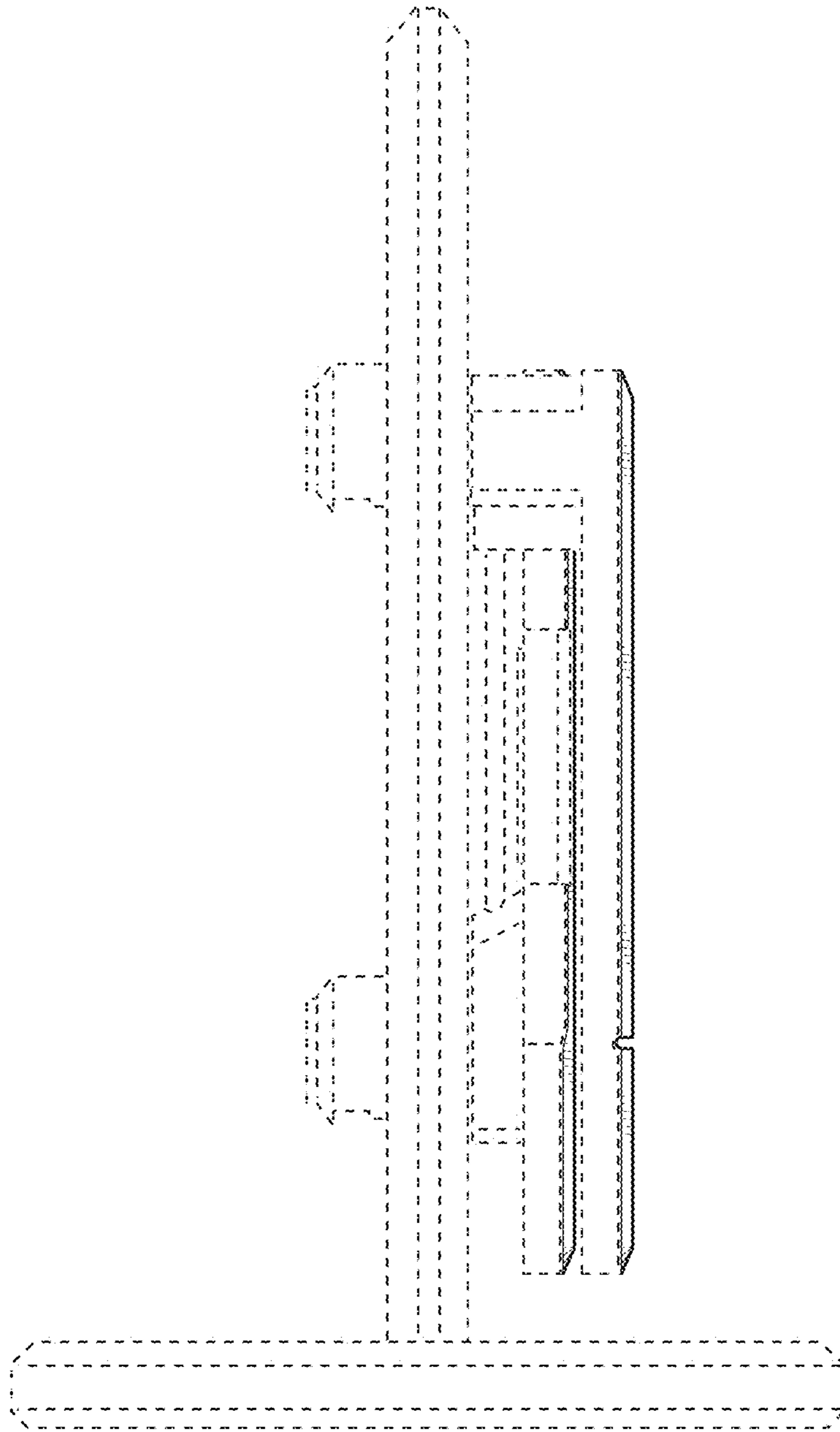


FIG. 4

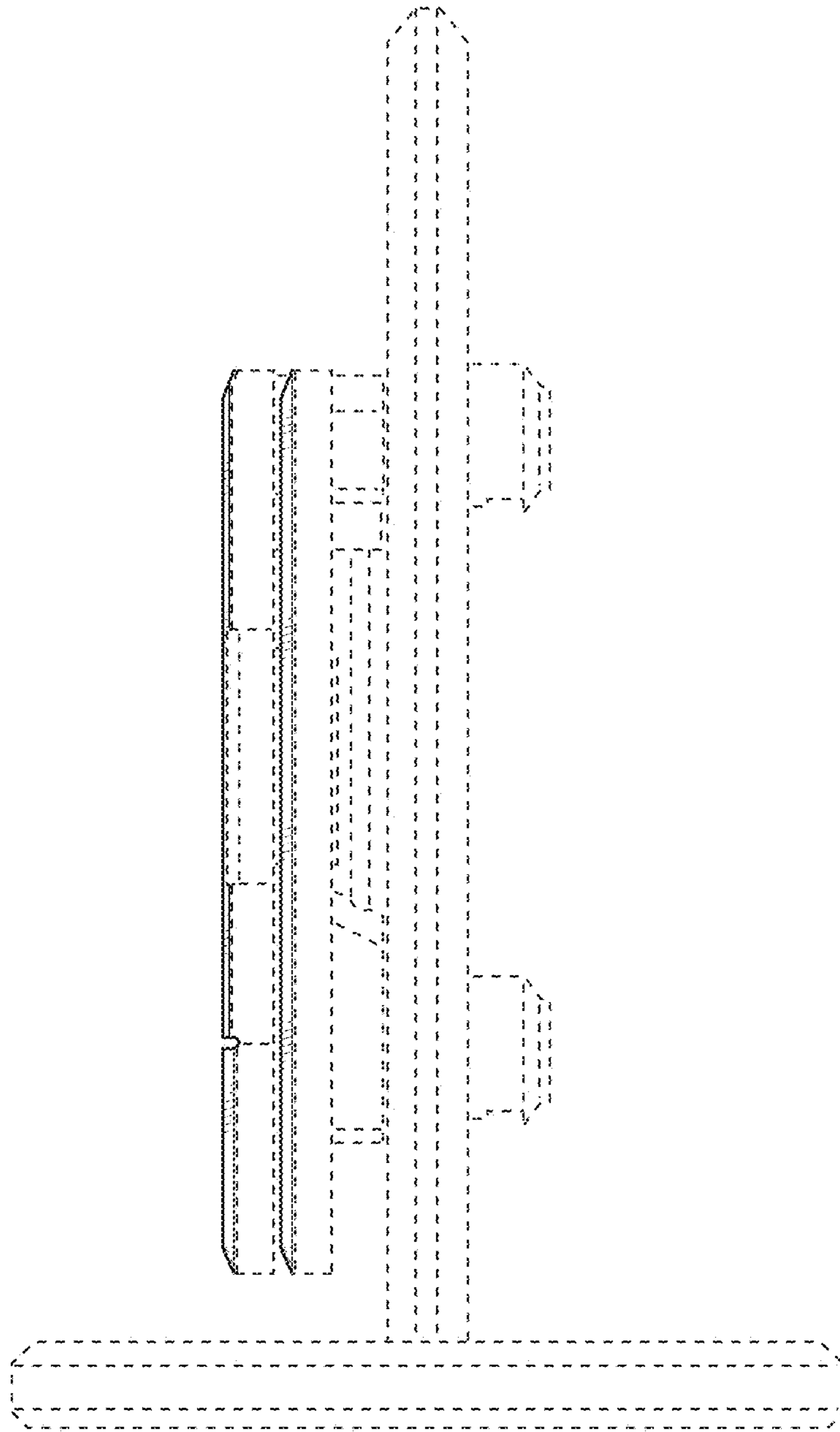


FIG. 5

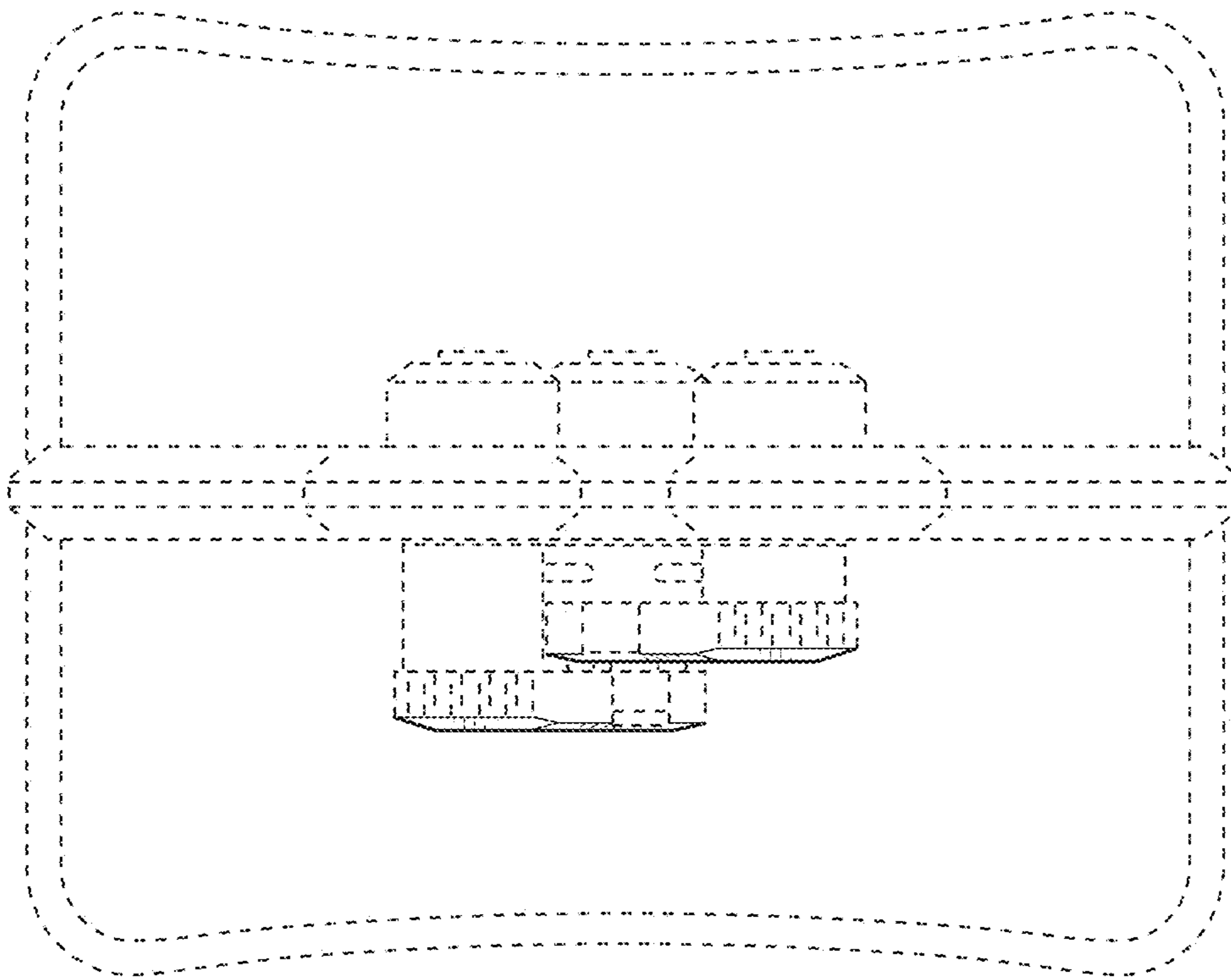


FIG. 6

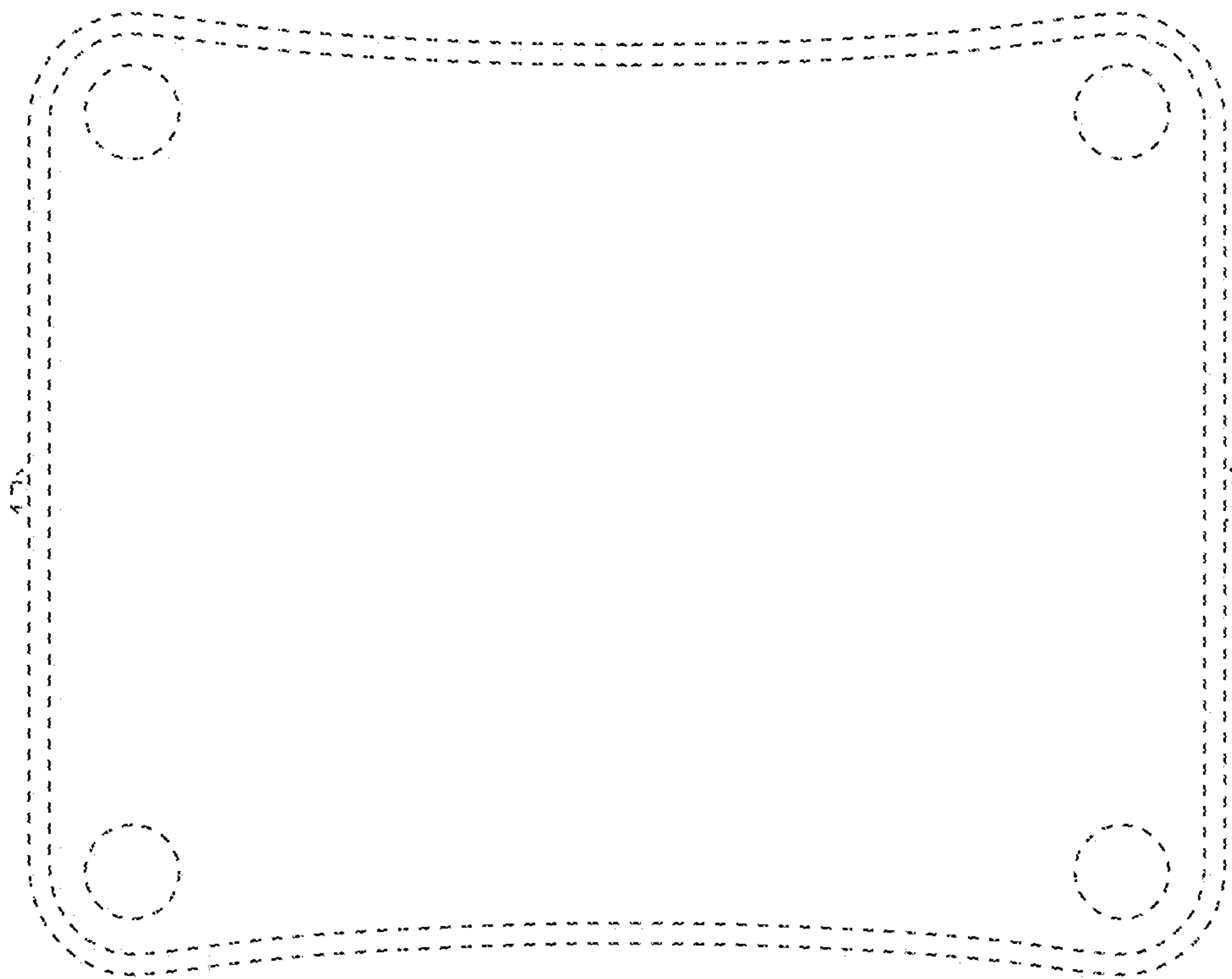


FIG. 7