



US00D900580S

(12) **United States Design Patent** (10) **Patent No.:** **US D900,580 S**
Su (45) **Date of Patent:** **** Nov. 3, 2020**

(54) **HAND TOOL**
(71) Applicant: **Hong Ann Tool Industries Co., Ltd.**,
Taichung (TW)
(72) Inventor: **Cheng-Wei Su**, Taichung (TW)
(73) Assignee: **Hong Ann Tool Industries Co., Ltd.**,
Taichung (TW)
(**) Term: **15 Years**
(21) Appl. No.: **29/676,475**
(22) Filed: **Jan. 11, 2019**
(51) **LOC (12) Cl.** **08-05**
(52) **U.S. Cl.**
USPC **D8/88; D8/89**
(58) **Field of Classification Search**
USPC D8/14, 88, 89; D24/133, 135, 152;
D28/57
CPC B25C 11/00; B66F 15/00; E04D 15/00;
E04G 23/086
See application file for complete search history.

(56) **References Cited**

U.S. PATENT DOCUMENTS

D240,289 S * 6/1976 Skinner D8/40
5,682,665 A * 11/1997 Svanberg A61C 3/00
29/458
D397,015 S * 8/1998 Hall D8/14
D594,298 S * 6/2009 Kliskey D8/16
D784,531 S * 4/2017 Malcolm D24/133
D803,397 S * 11/2017 Malcolm D24/135
D820,451 S * 6/2018 Boge D24/152
D837,377 S * 1/2019 Steen D24/154
D848,806 S * 5/2019 Lauterbach D8/47
2012/0021379 A1 * 1/2012 Beach A61C 3/00
433/143
2013/0027687 A1 * 1/2013 Jung G01J 3/51
356/72

OTHER PUBLICATIONS

Swpeet Pick Set, Amazon.com, Reviewed Nov. 19, 2020.*
Gearwrench Pick Set, Amazon.com Reviewed Mar. 17, 2020.*

* cited by examiner

Primary Examiner — Philip S Hyder
(74) *Attorney, Agent, or Firm* — Alan D. Kamrath; Karin
L. Williams; Mayer & Williams PC

(57) **CLAIM**

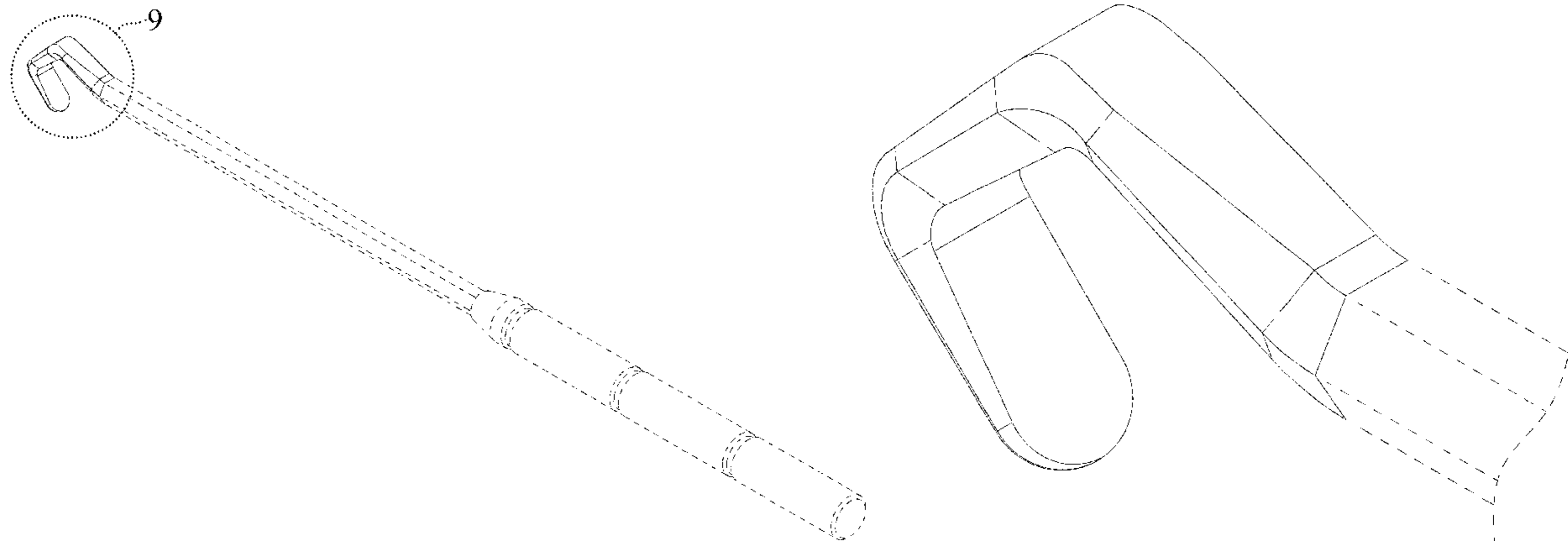
The ornamental design for a hand tool, as shown and described.

DESCRIPTION

FIG. 1 is a perspective view of a hand tool showing my new design;
FIG. 2 is a front view thereof;
FIG. 3 is a rear view thereof;
FIG. 4 is a left view thereof;
FIG. 5 is a right view thereof;
FIG. 6 is a top view thereof;
FIG. 7 is a bottom view thereof;
FIG. 8 is an additional perspective view from an opposite end of the FIG. 1 view;
FIG. 9 is an enlarged view of the portion indicated in FIG. 1;
FIG. 10 is an enlarged view of the portion indicated in FIG. 2;
FIG. 11 is an enlarged view of the portion indicated in FIG. 3;
FIG. 12 is an enlarged view of the portion indicated in FIG. 6;
FIG. 13 is an enlarged view of the portion indicated in FIG. 7; and,
FIG. 14 is an enlarged view of the portion indicated in FIG. 8.

The broken lines depict portions of the hand tool in which the design is embodied that are not considered part of the claimed design.

1 Claim, 13 Drawing Sheets



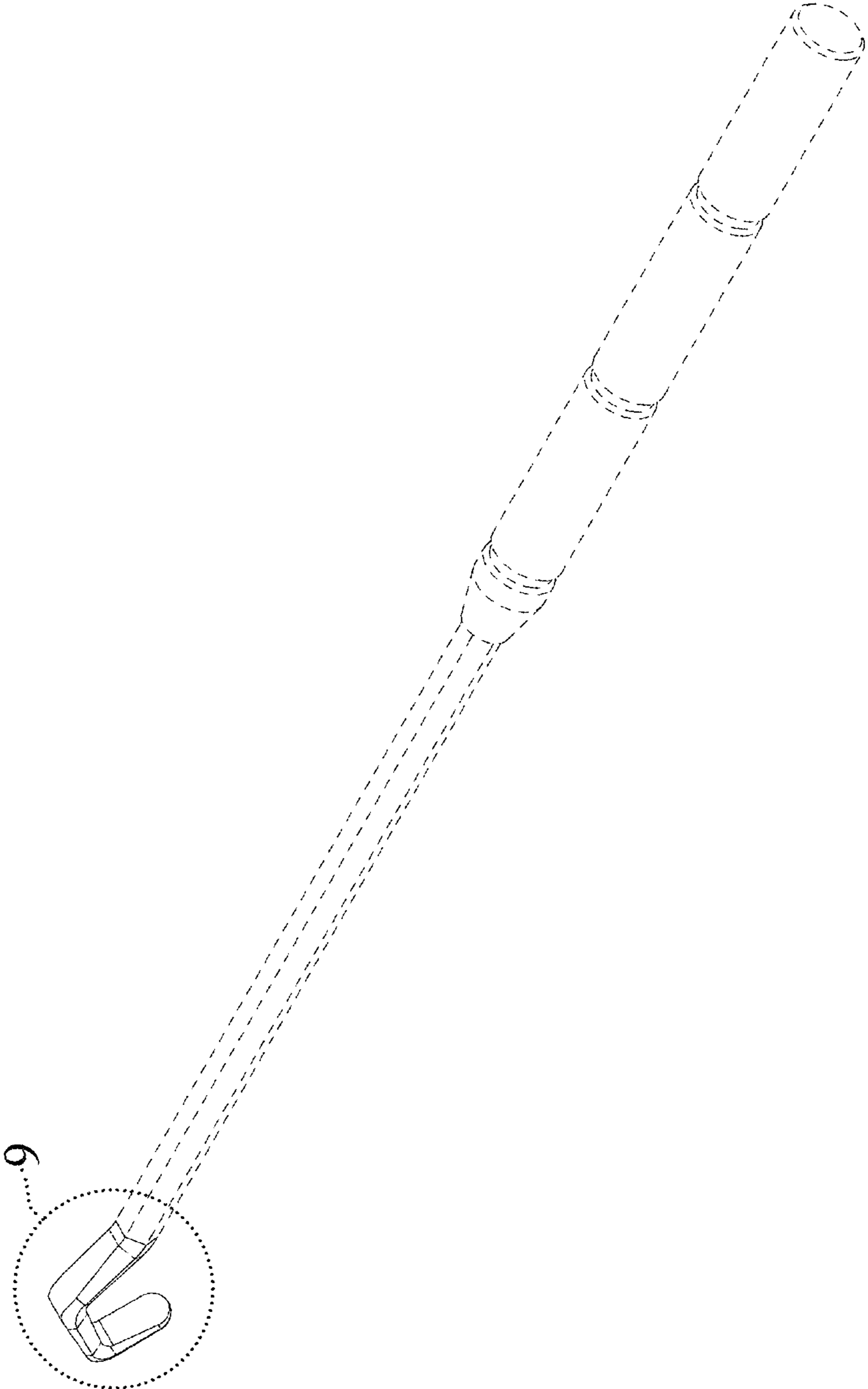


FIG. 1

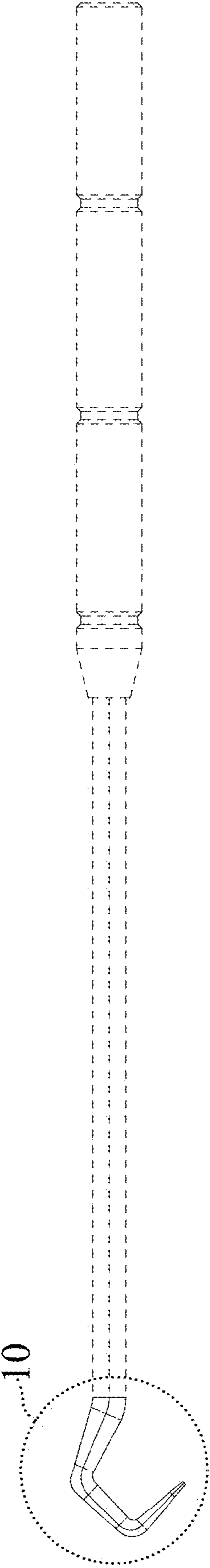


FIG. 2

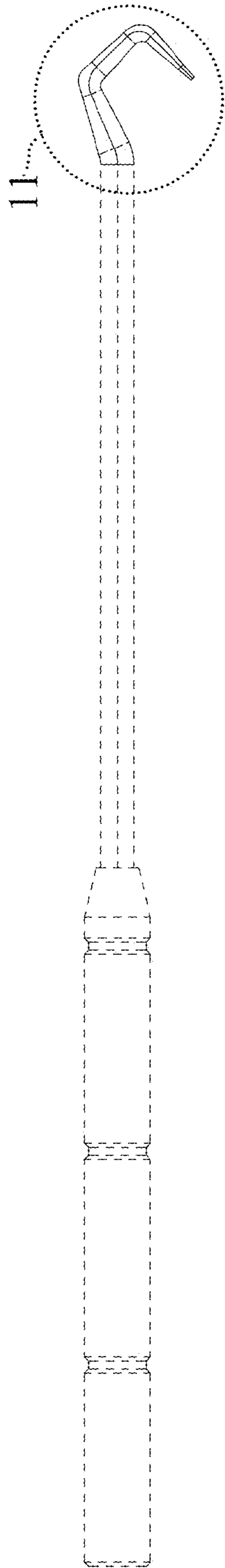


FIG. 3

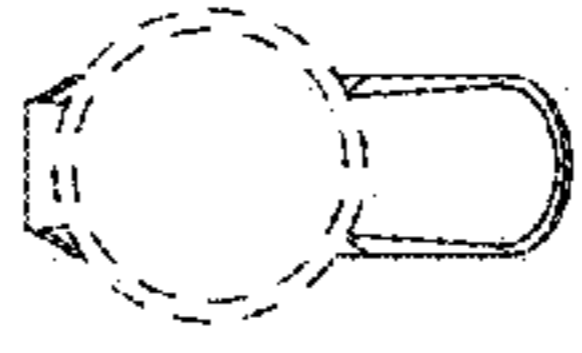


FIG. 5

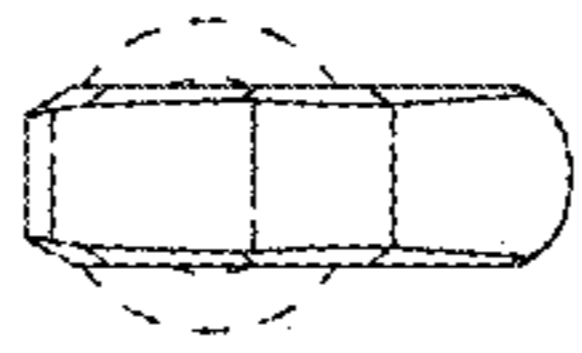


FIG. 4

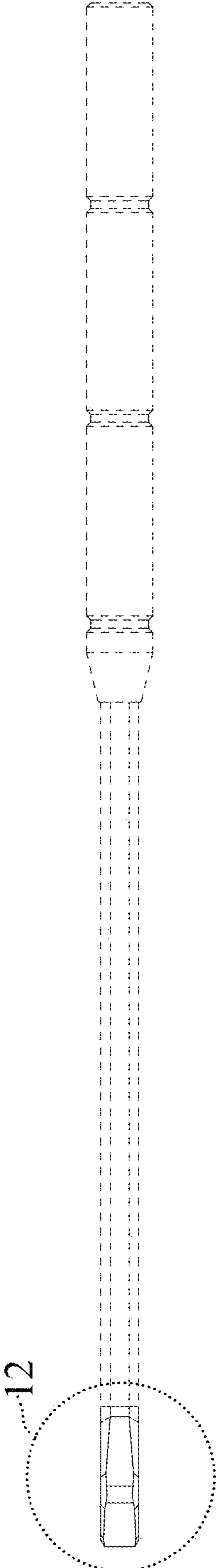


FIG. 6

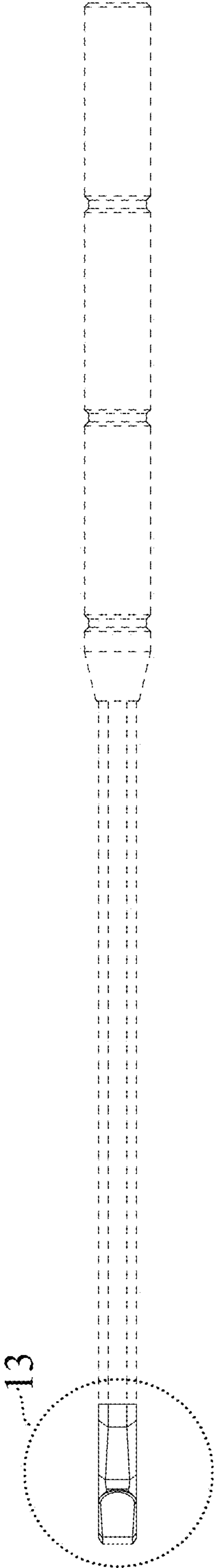


FIG. 7

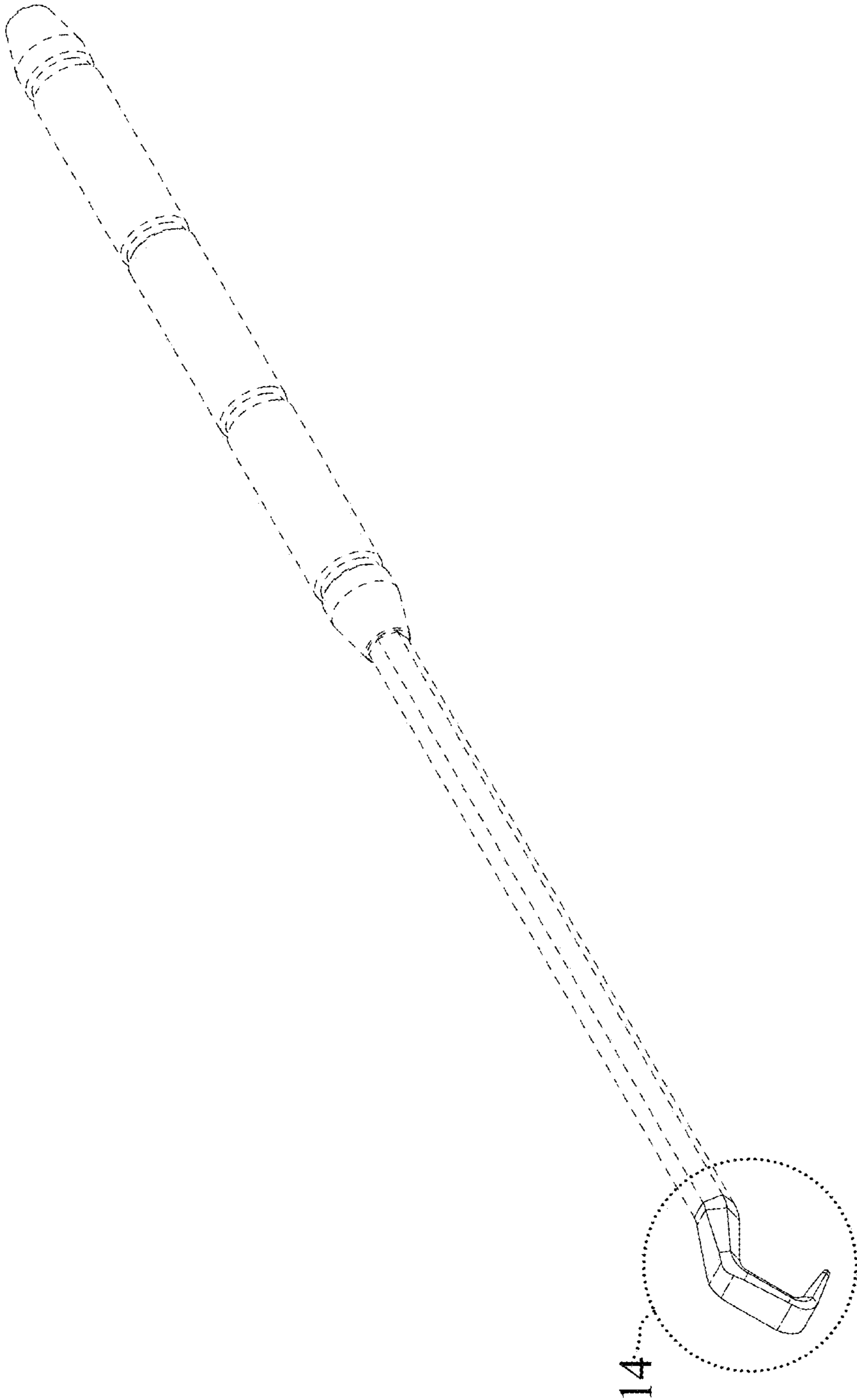


FIG. 8

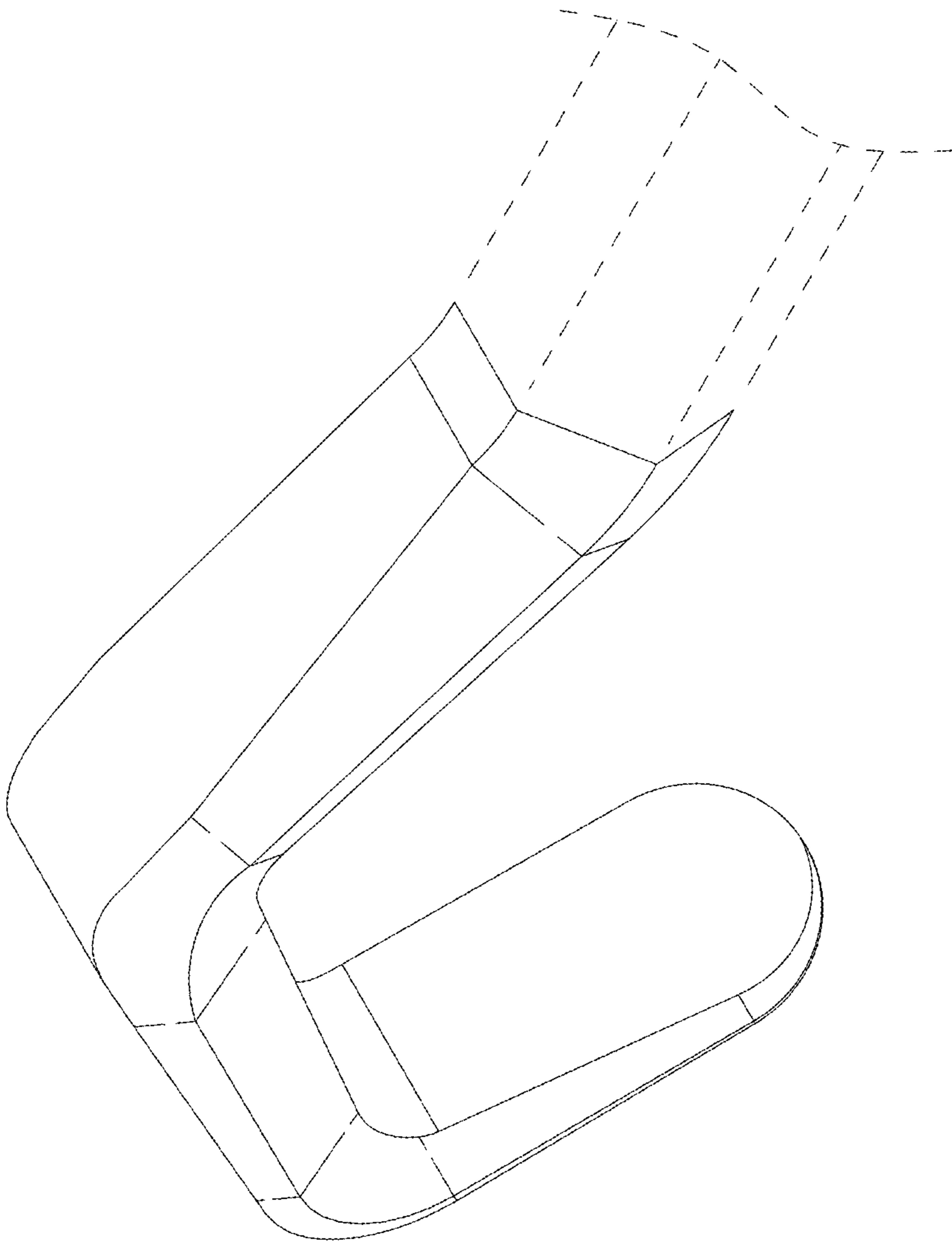


FIG. 9

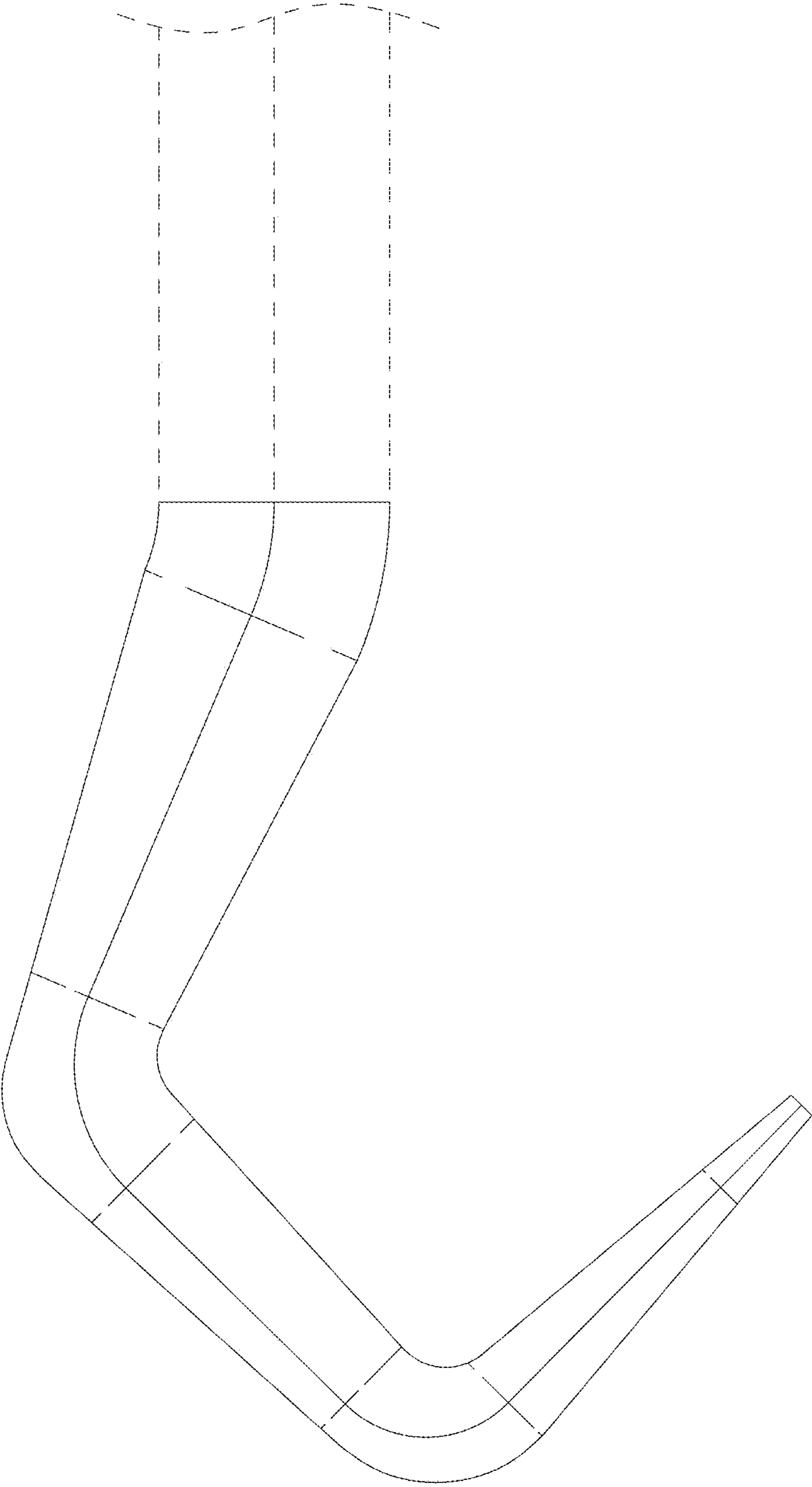


FIG. 10

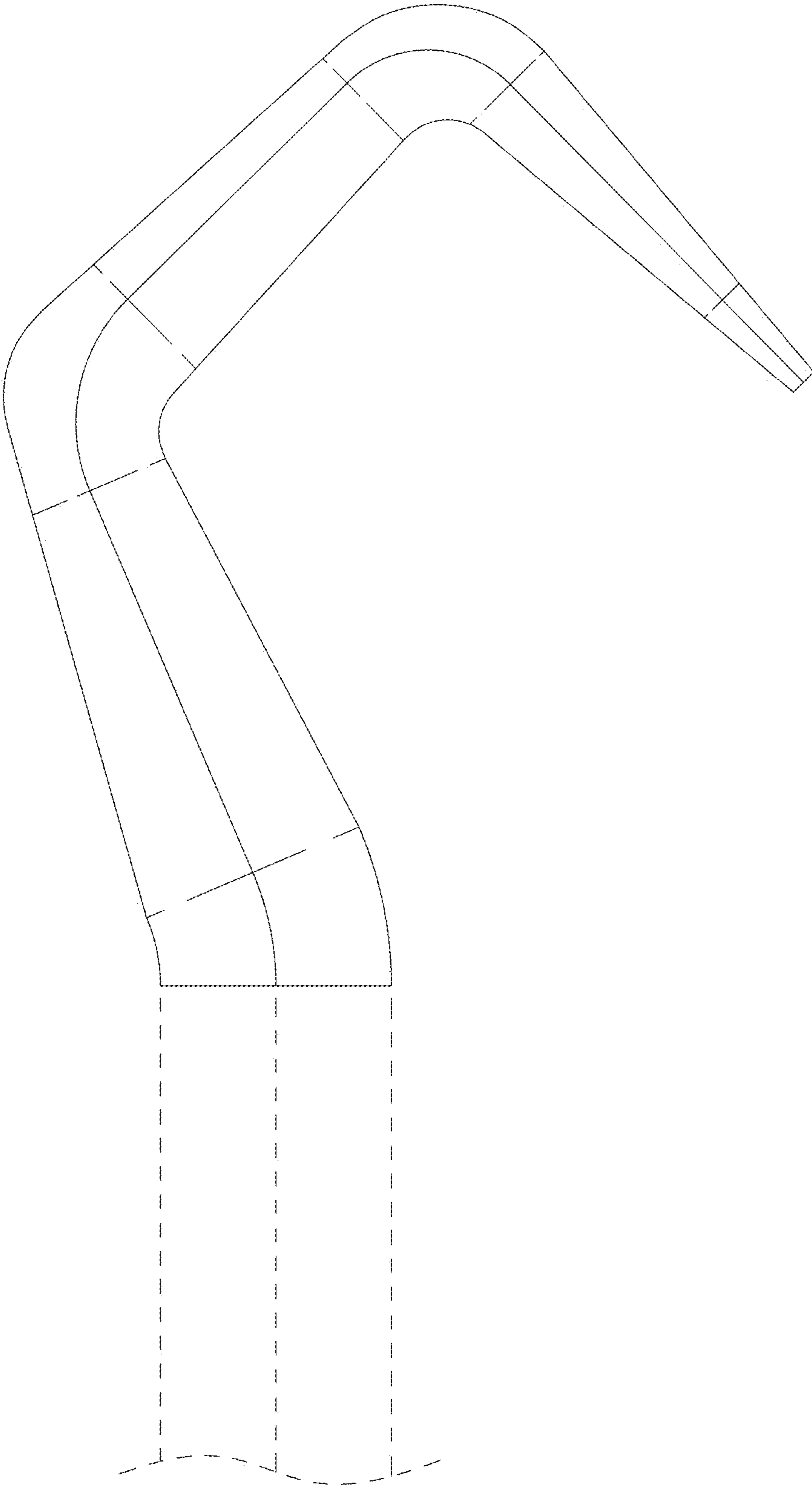


FIG. 11

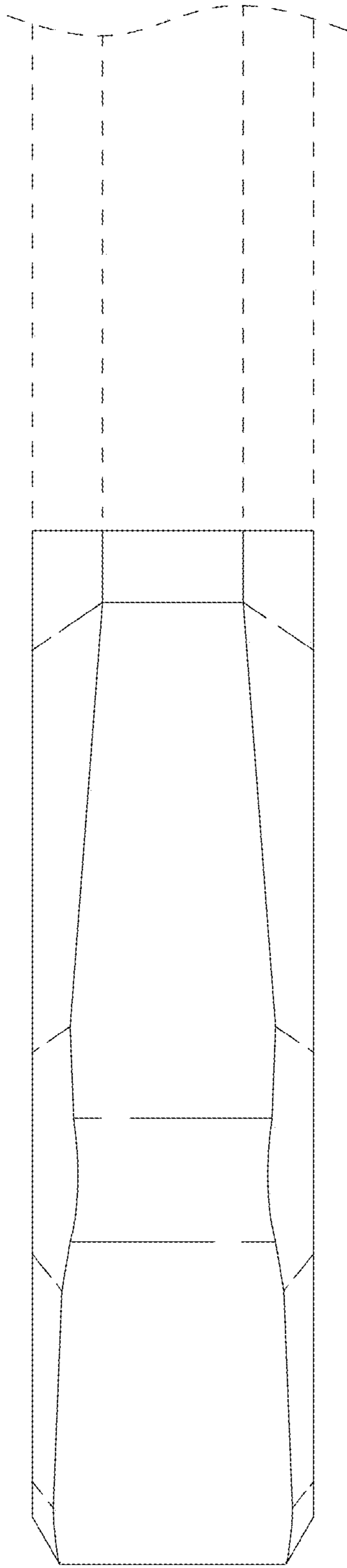


FIG. 12

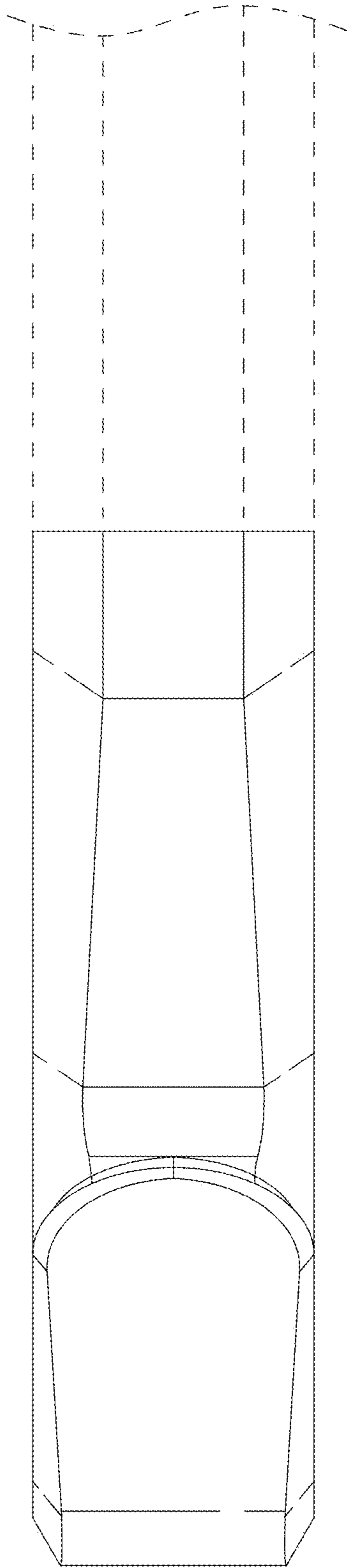


FIG. 13

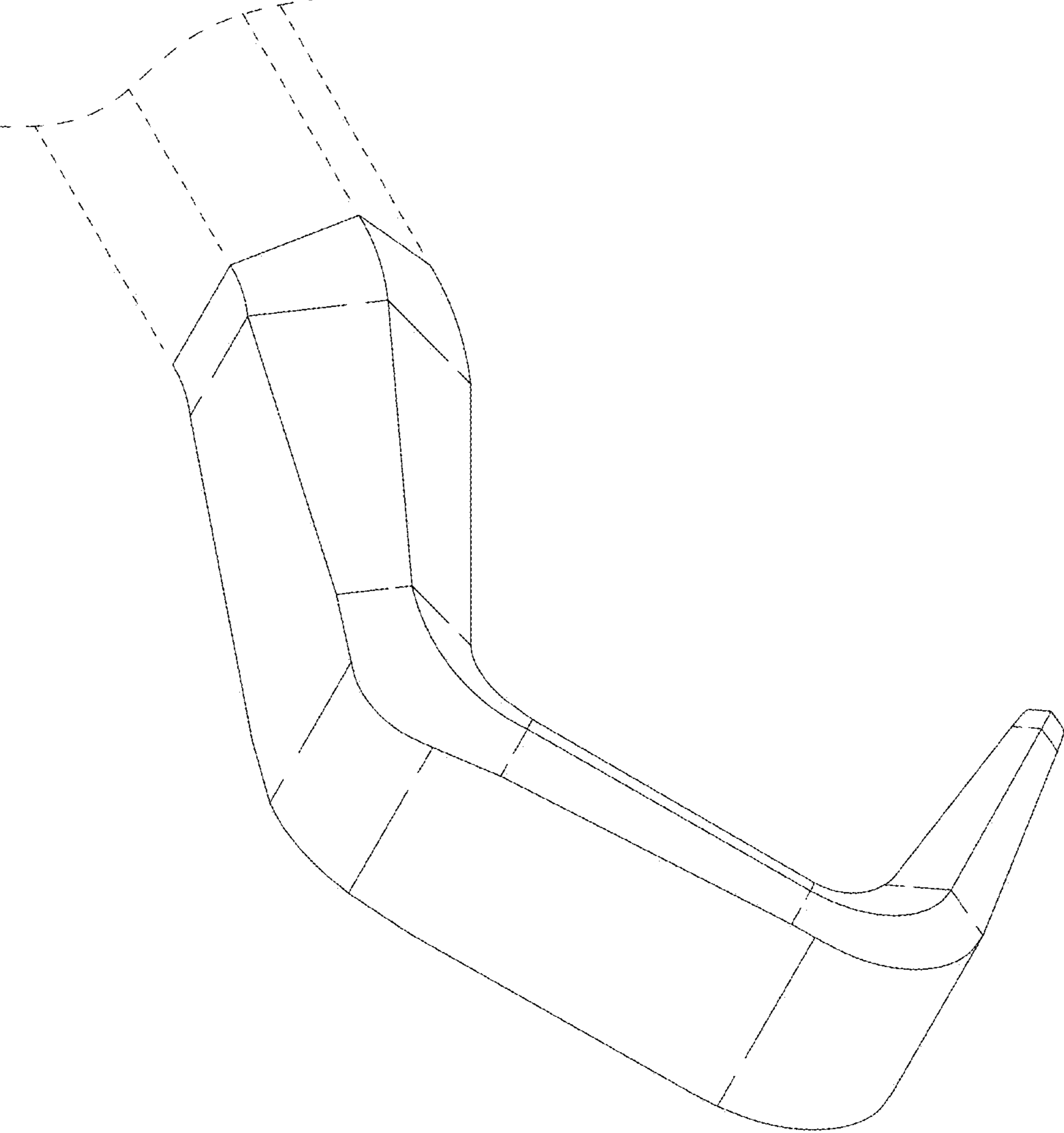


FIG. 14