



US00D900579S

(12) **United States Design Patent** (10) **Patent No.:** **US D900,579 S**
Wittenborn (45) **Date of Patent:** **** Nov. 3, 2020**

(54) **SHARPENER HOLDER**

OTHER PUBLICATIONS

- (71) Applicant: **James Walter Wittenborn**, Aiken, SC (US)
- (72) Inventor: **James Walter Wittenborn**, Aiken, SC (US)
- (**) Term: **15 Years**
- (21) Appl. No.: **29/673,084**
- (22) Filed: **Dec. 11, 2018**
- (51) **LOC (12) Cl.** **08-05**
- (52) **U.S. Cl.**
USPC **D8/71**
- (58) **Field of Classification Search**
USPC D8/71, 615, 353
CPC B25H 3/003
See application file for complete search history.

Fashion Ruixin Pro Knife Sharpener, posted at wish.com, posting date not given, [online], [site visited Jun. 12, 2020]. Available from Internet, URL: <https://www.wish.com/product/5d71eefe8e94f407225fff8a> (Year: 2020).*

Kcasa iron steel sharpener, posted at banggood.com, posting date not given, [online], [site visited Jun. 12, 2020]. Available from Internet, URL: <https://www.banggood.com/KCASA-Iron-Steel-Sharpener-Metal-Fixed-angle-Grinder-Sharpener-System-with-4-Stones-Sharpens-Stone-p-1324150.html> (Year: 2020).*

Ruixin pro Sharpener, posted at aliexpress.com, posting date not given, [online], [site visited Jun. 12, 2020]. Available from Internet, URL: <https://www.aliexpress.com/item/4000110701310.html> (Year: 2020).*

* cited by examiner

Primary Examiner — George D. Kirschbaum
Assistant Examiner — Maria J Edwards
 (74) *Attorney, Agent, or Firm* — Kenneth A. Buffington

(56) **References Cited**

U.S. PATENT DOCUMENTS

| | | | |
|-------------------|--------|-----------------|-----------------------|
| D247,736 S | 4/1978 | Gangelhoff | |
| 4,441,279 A | 4/1984 | Storm et al. | |
| 4,450,653 A | 5/1984 | Fletcher | |
| 5,090,160 A | 2/1992 | Paquette | |
| D350,888 S * | 9/1994 | Perry | D34/31 |
| D519,015 S * | 4/2006 | Lin | D8/71 |
| D618,532 S | 6/2010 | Wu | |
| D640,115 S | 6/2011 | Huff et al. | |
| D662,385 S | 6/2012 | Kuo | |
| D675,502 S | 2/2013 | Carleton | |
| 9,061,391 B2 | 1/2015 | Wittenborn | |
| D807,141 S | 1/2018 | Juranitch | |
| D826,667 S | 8/2018 | Skeuse et al. | |
| D829,070 S | 9/2018 | Baker et al. | |
| D843,806 S * | 3/2019 | Brigham | D8/71 |
| D845,100 S * | 4/2019 | Gonzalez Garcia | D8/71 |
| 2014/0113529 A1 * | 4/2014 | Wittenborn | B24B 41/066 451/28 |
| 2020/0122315 A1 * | 4/2020 | Hurley | B25H 3/003 |

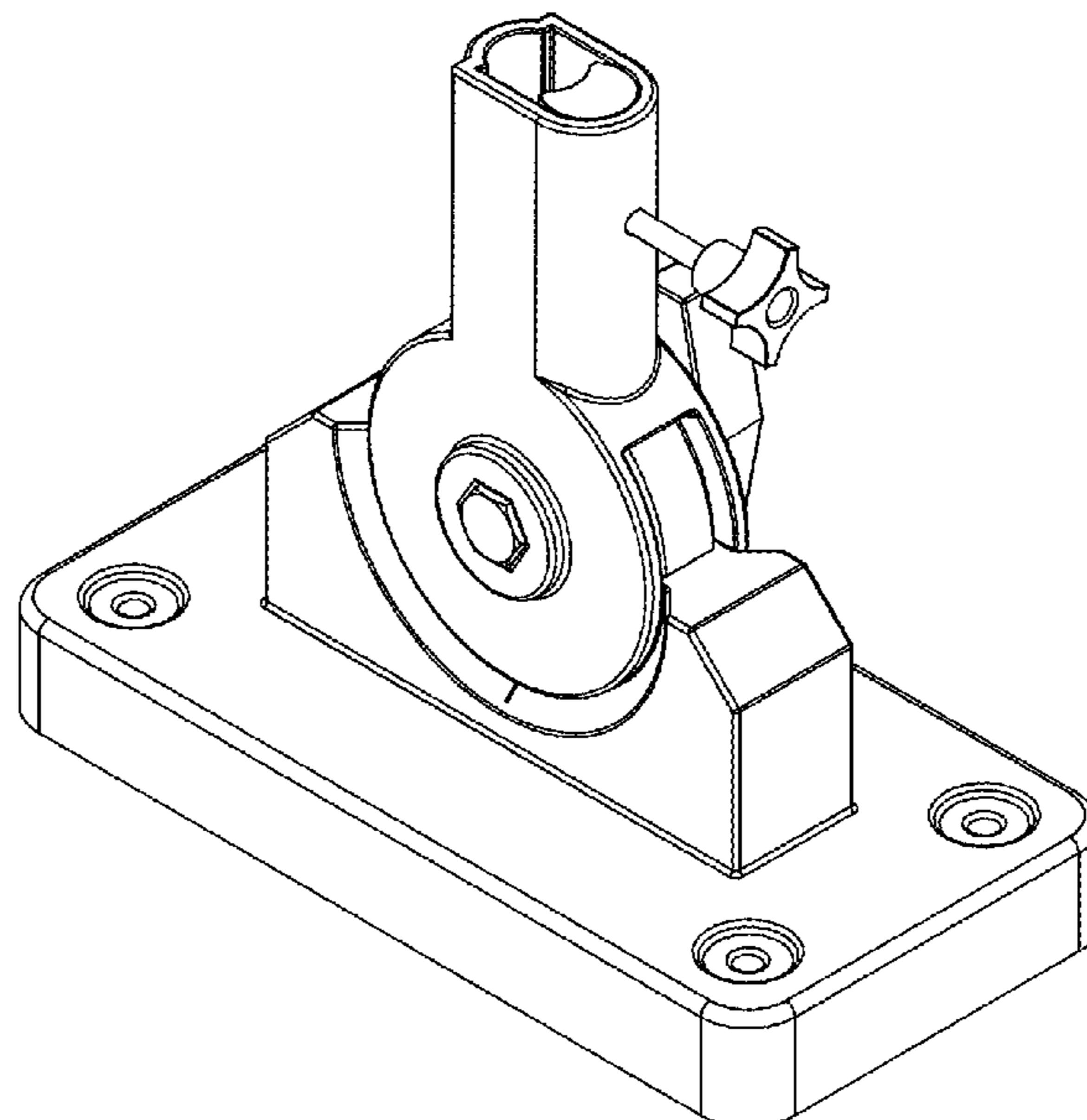
(57) **CLAIM**

The ornamental design for a sharpener holder, as shown and described.

DESCRIPTION

FIG. 1 is a perspective view of a sharpener holder in accordance with the present design;
 FIG. 2 is a front view thereof;
 FIG. 3 is a rear view thereof;
 FIG. 4 is left view thereof;
 FIG. 5 is a right view thereof;
 FIG. 6 is a top view thereof; and,
 FIG. 7 is another perspective view thereof.

1 Claim, 4 Drawing Sheets



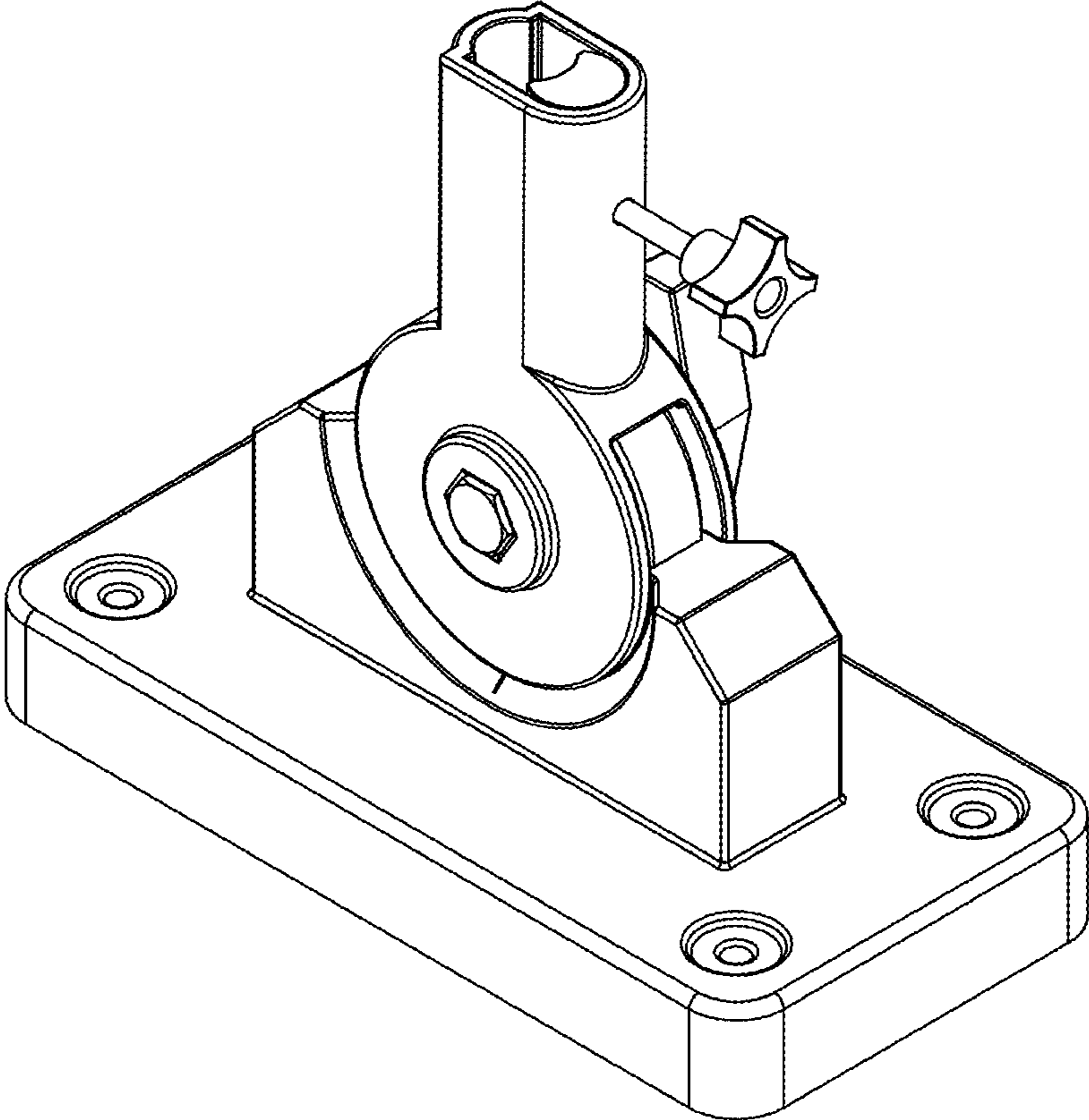


Fig. 1

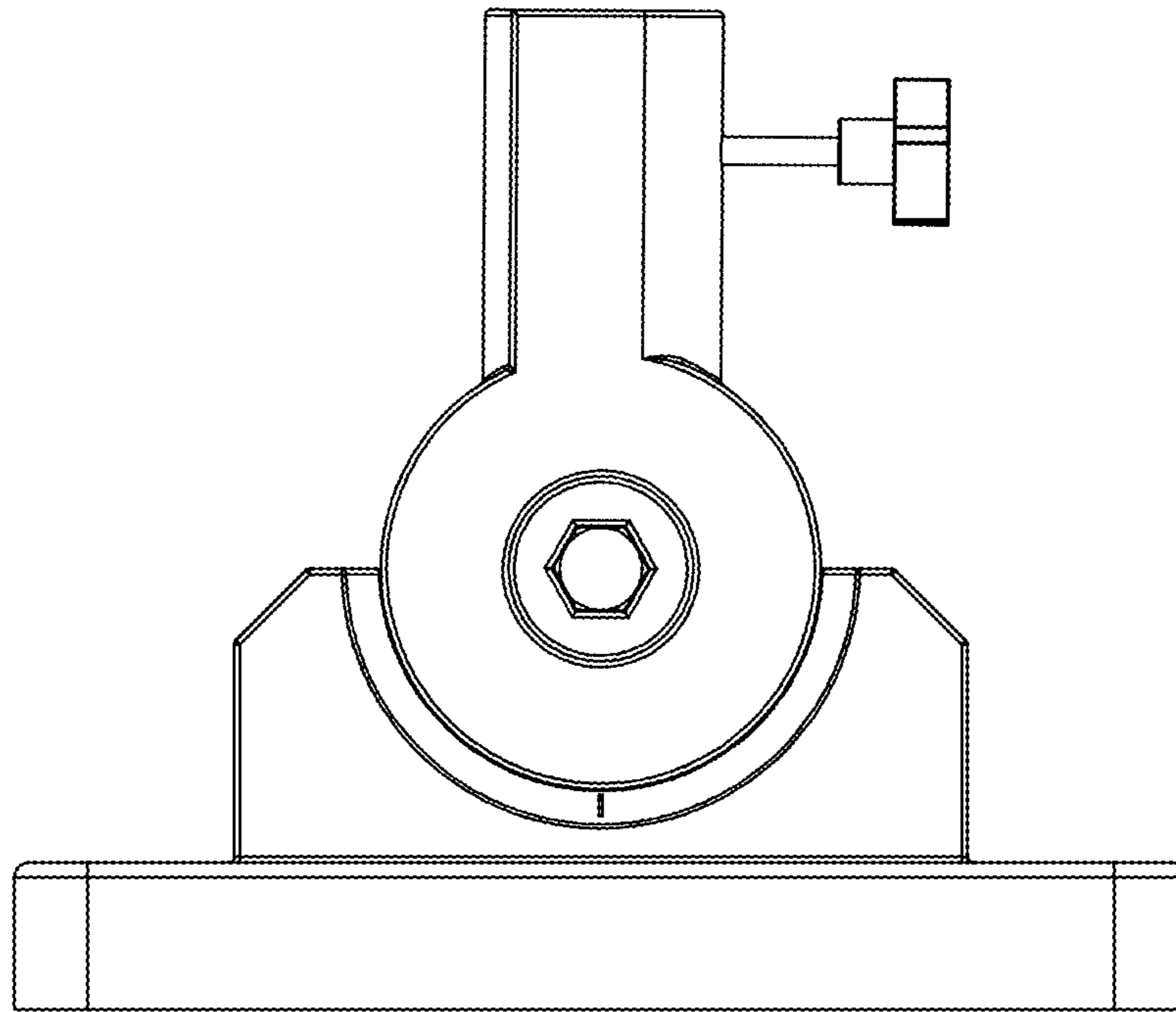


Fig. 2

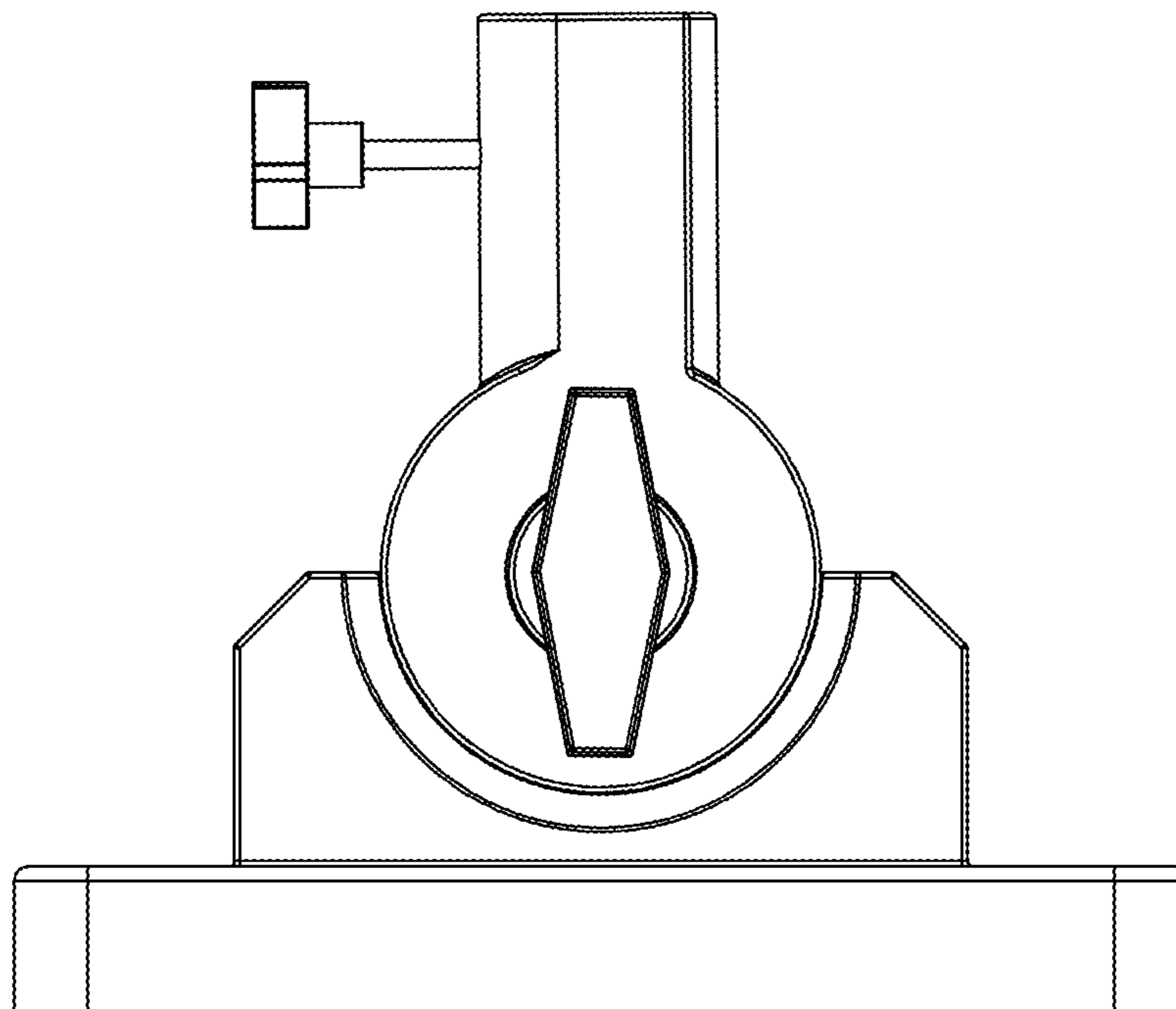


Fig. 3

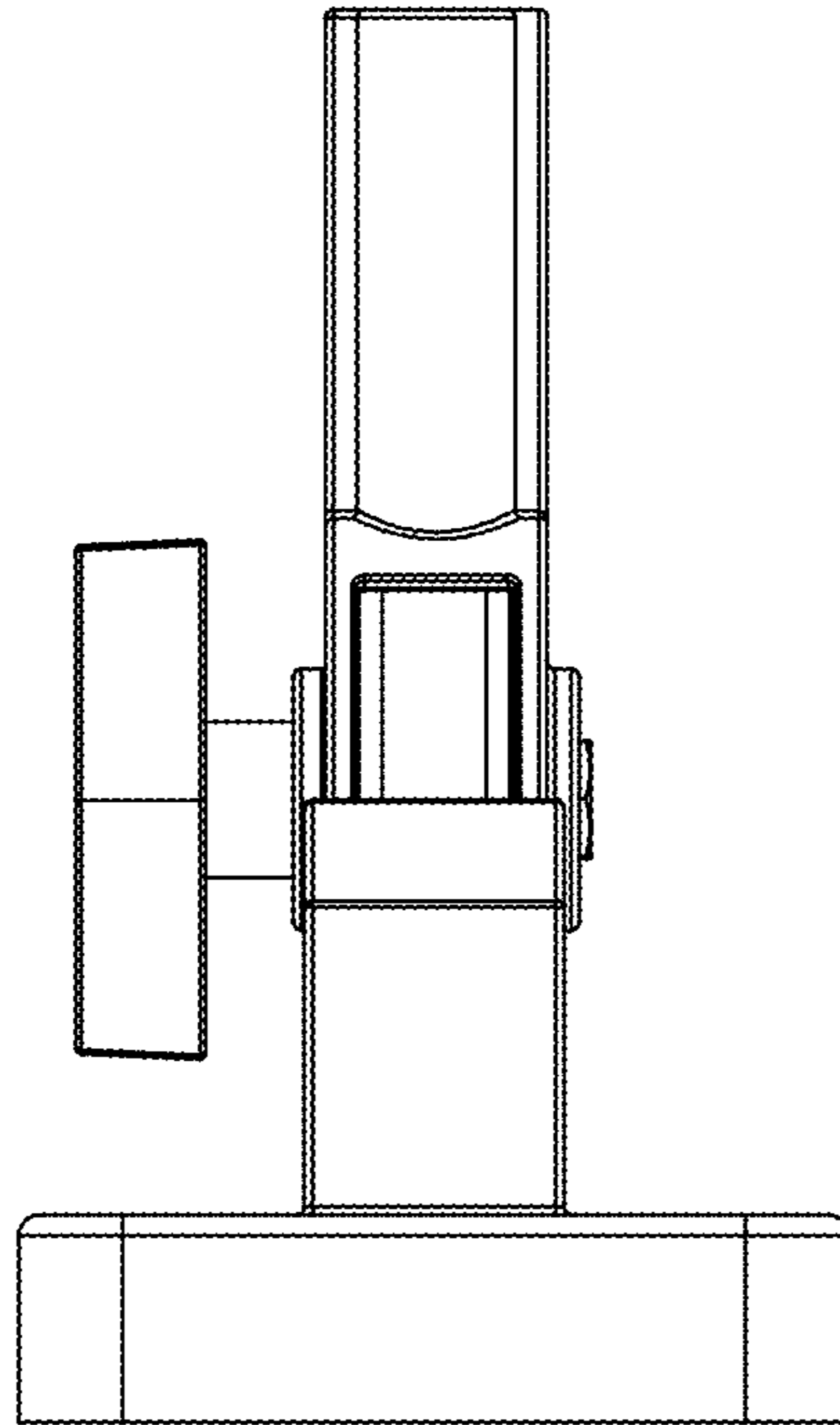


Fig. 4

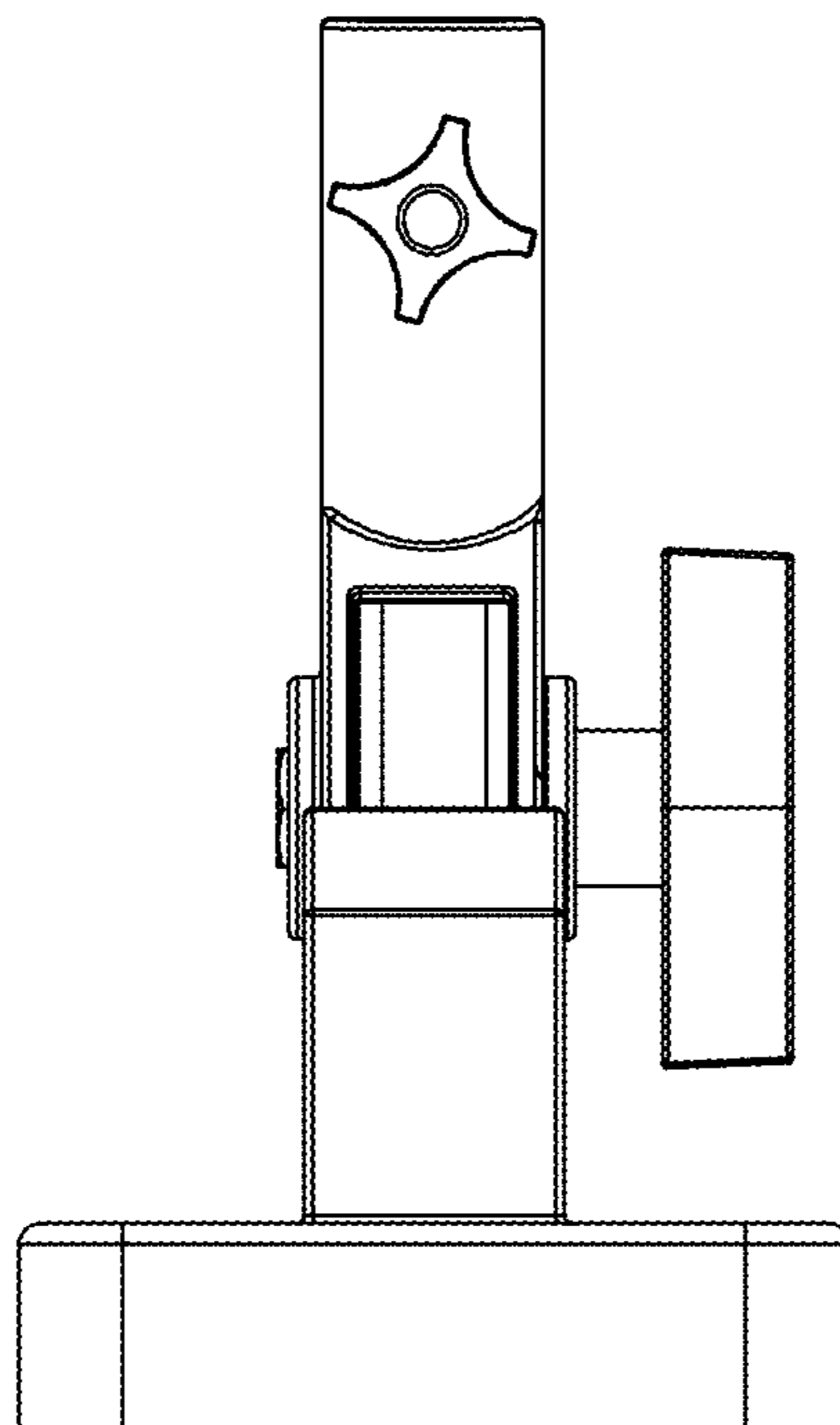


Fig. 5

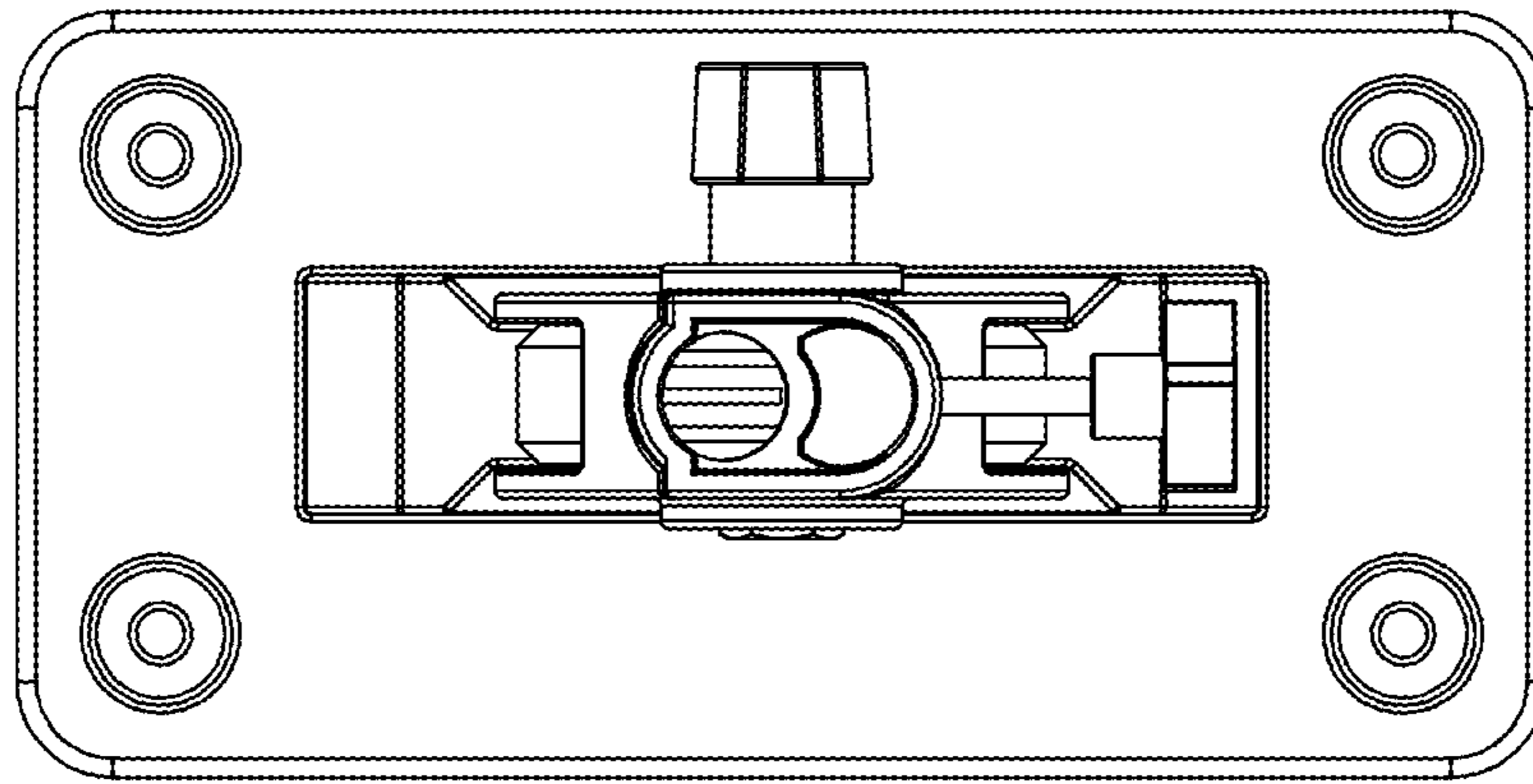


Fig. 6

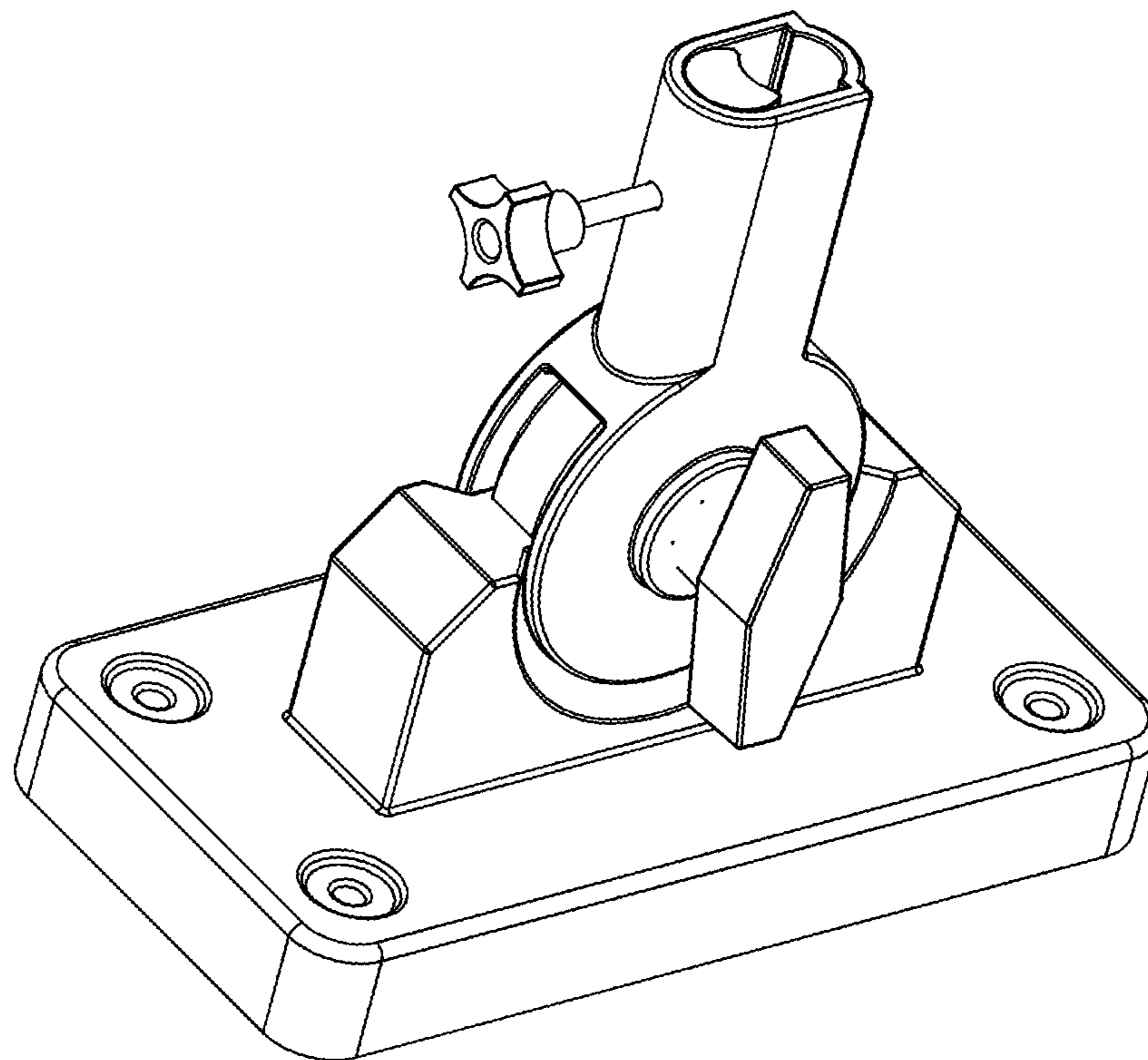


Fig. 7