



US00D900578S

(12) **United States Design Patent** (10) **Patent No.:** **US D900,578 S**  
**Kordash** (45) **Date of Patent:** **\*\* Nov. 3, 2020**

- (54) **GAS TANK LOCATING JIG**
- (71) Applicant: **Mike Kordash**, Dallas, TX (US)
- (72) Inventor: **Mike Kordash**, Dallas, TX (US)
- (\*\*) Term: **15 Years**
- (21) Appl. No.: **29/631,881**
- (22) Filed: **Jan. 3, 2018**
- (51) **LOC (12) Cl.** ..... **08-05**
- (52) **U.S. Cl.**  
USPC ..... **D8/71**
- (58) **Field of Classification Search**  
USPC ..... D8/1, 7, 8, 9, 71, 349, 382, 499  
CPC ..... B65G 21/2072; F16M 13/00  
See application file for complete search history.

7,784,749 B2 *	8/2010	Radermacher .....	B65G 21/2072 144/287
D632,159 S *	2/2011	Charette .....	D8/354
D655,593 S *	3/2012	Wagner, III .....	D8/71
D708,933 S *	7/2014	Kats .....	D8/380
D737,256 S *	8/2015	Harvey .....	D14/238
D810,526 S *	2/2018	Dougherty .....	D8/8
2001/0013202 A1 *	8/2001	Nakanishi .....	E05D 15/30 49/250

\* cited by examiner

*Primary Examiner* — Janice Hallmark  
*Assistant Examiner* — Harold E Blackwell, II  
 (74) *Attorney, Agent, or Firm* — Law Office of Jeff Williams PLLC; J. Oliver Williams

(57) **CLAIM**

The ornamental design for a gas tank locating jig, as shown and described.

**DESCRIPTION**

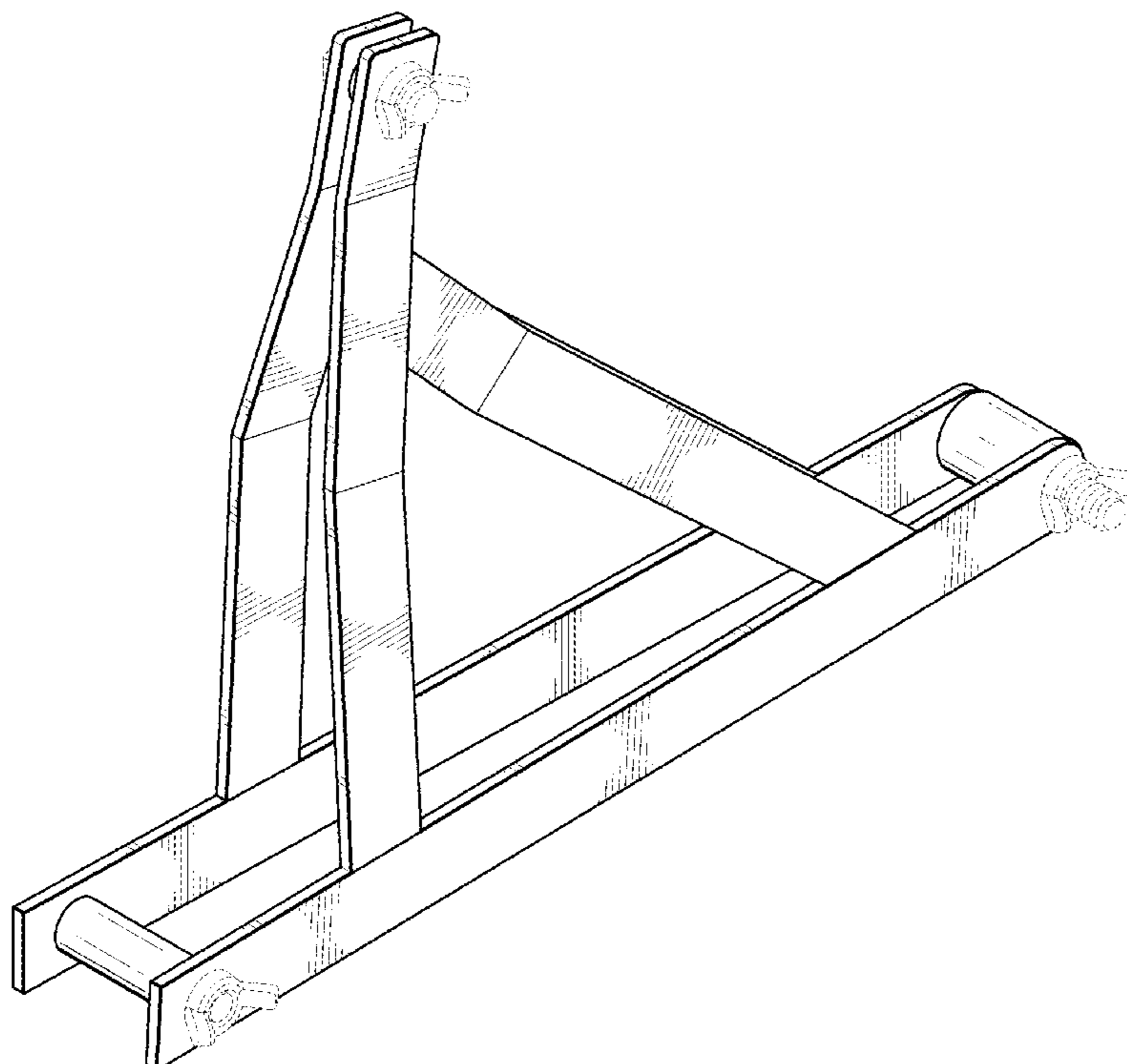
FIG. 1 is an perspective view of a gas tank locating jig according to the present application.  
 FIG. 2 is a front view of the gas tank locating jig of FIG. 1.  
 FIG. 3 is a rear view of the gas tank locating jig of FIG. 1.  
 FIG. 4 is a right view of the gas tank locating jig of FIG. 1.  
 FIG. 5 is a left view of the gas tank locating jig of FIG. 1.  
 FIG. 6 is a top view of the gas tank locating jig of FIG. 1; and,  
 FIG. 7 is a bottom view of the gas tank locating jig of FIG. 1.  
 The broken lines are included for the purpose of illustrating environmental structure and form no part of the claimed design.

(56) **References Cited**

U.S. PATENT DOCUMENTS

2,464,031 A *	3/1949	Fiedel .....	A47F 5/13 248/167
3,239,072 A *	3/1966	Dunbar .....	B66C 1/26 212/242
3,724,844 A *	4/1973	Olmstead .....	A63B 69/16 482/61
D244,746 S *	6/1977	Stabb .....	D8/71
D324,784 S *	3/1992	Rose .....	D6/324
D350,682 S *	9/1994	Carey .....	D8/71
D439,820 S *	4/2001	Yang .....	D8/71
D473,123 S *	4/2003	Anderson .....	D8/354
D490,678 S *	6/2004	Dion .....	D8/381
D597,812 S *	8/2009	Wedeven .....	D8/71
7,703,732 B2 *	4/2010	Dantuono .....	A47G 7/045 211/90.03

**1 Claim, 5 Drawing Sheets**



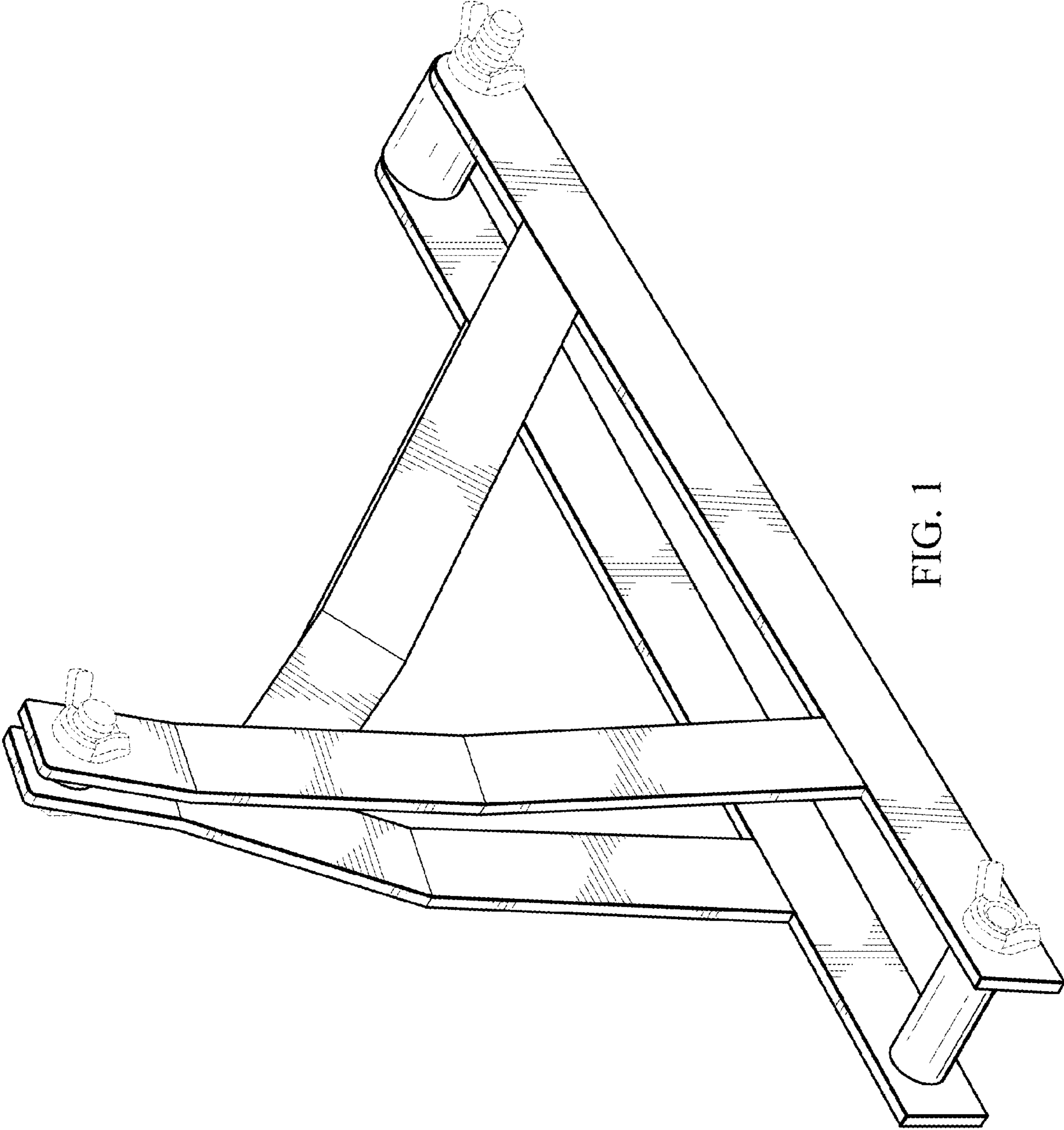


FIG. 1

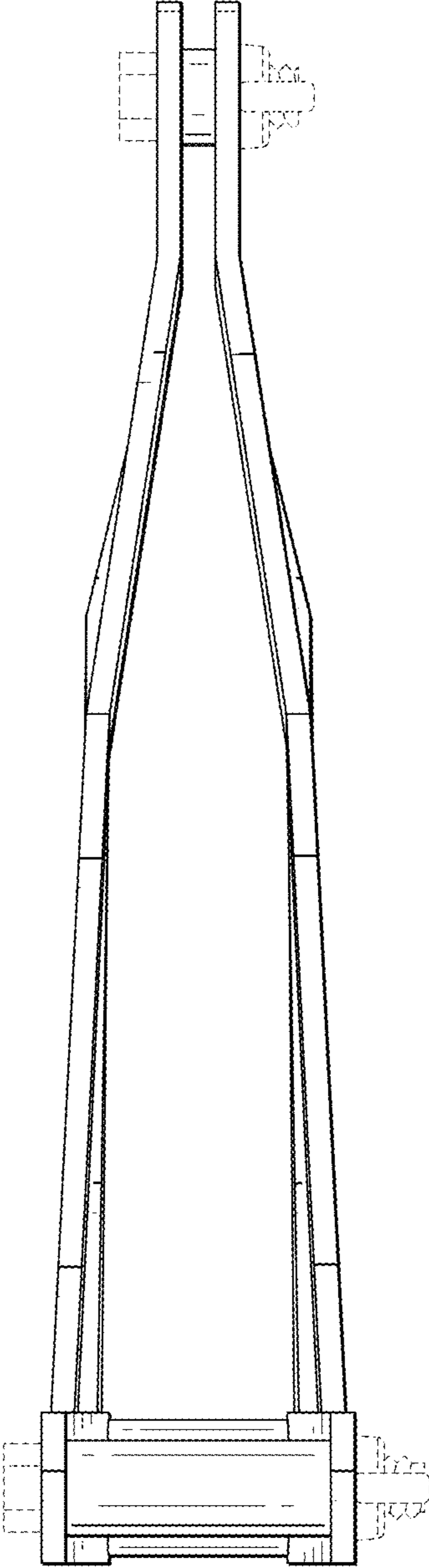


FIG. 2

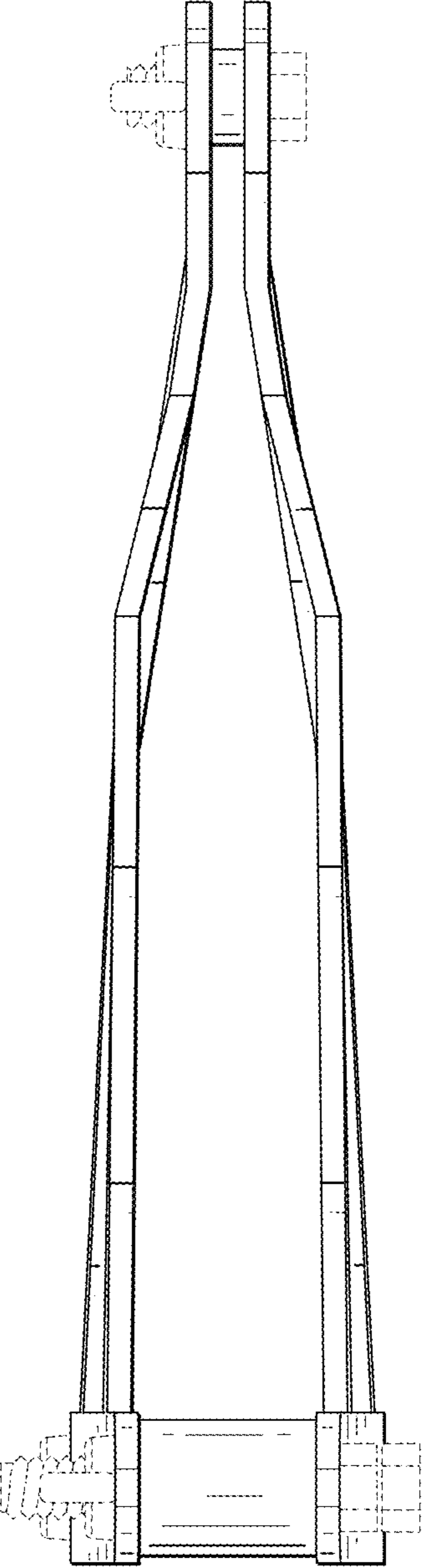


FIG. 3

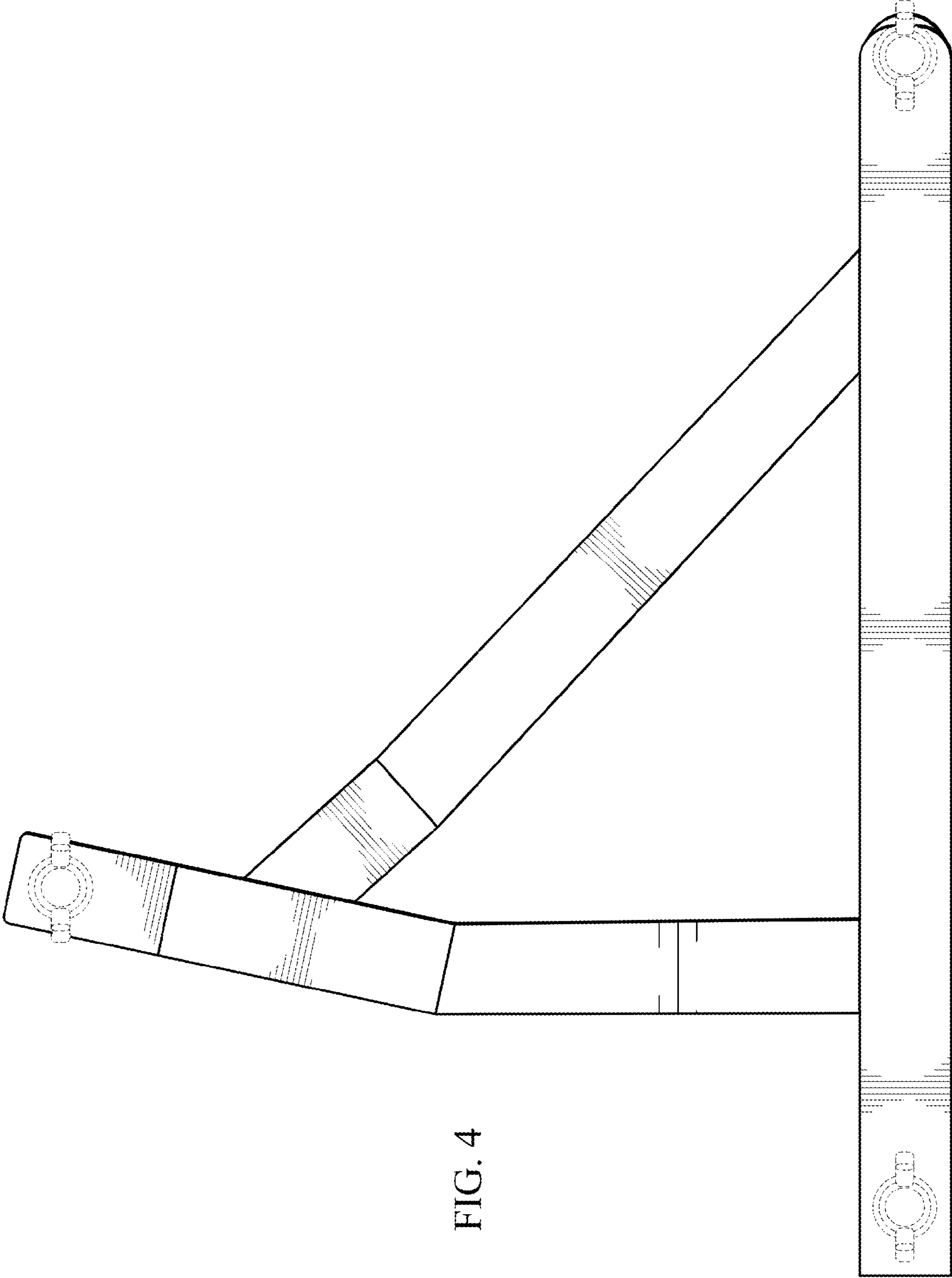
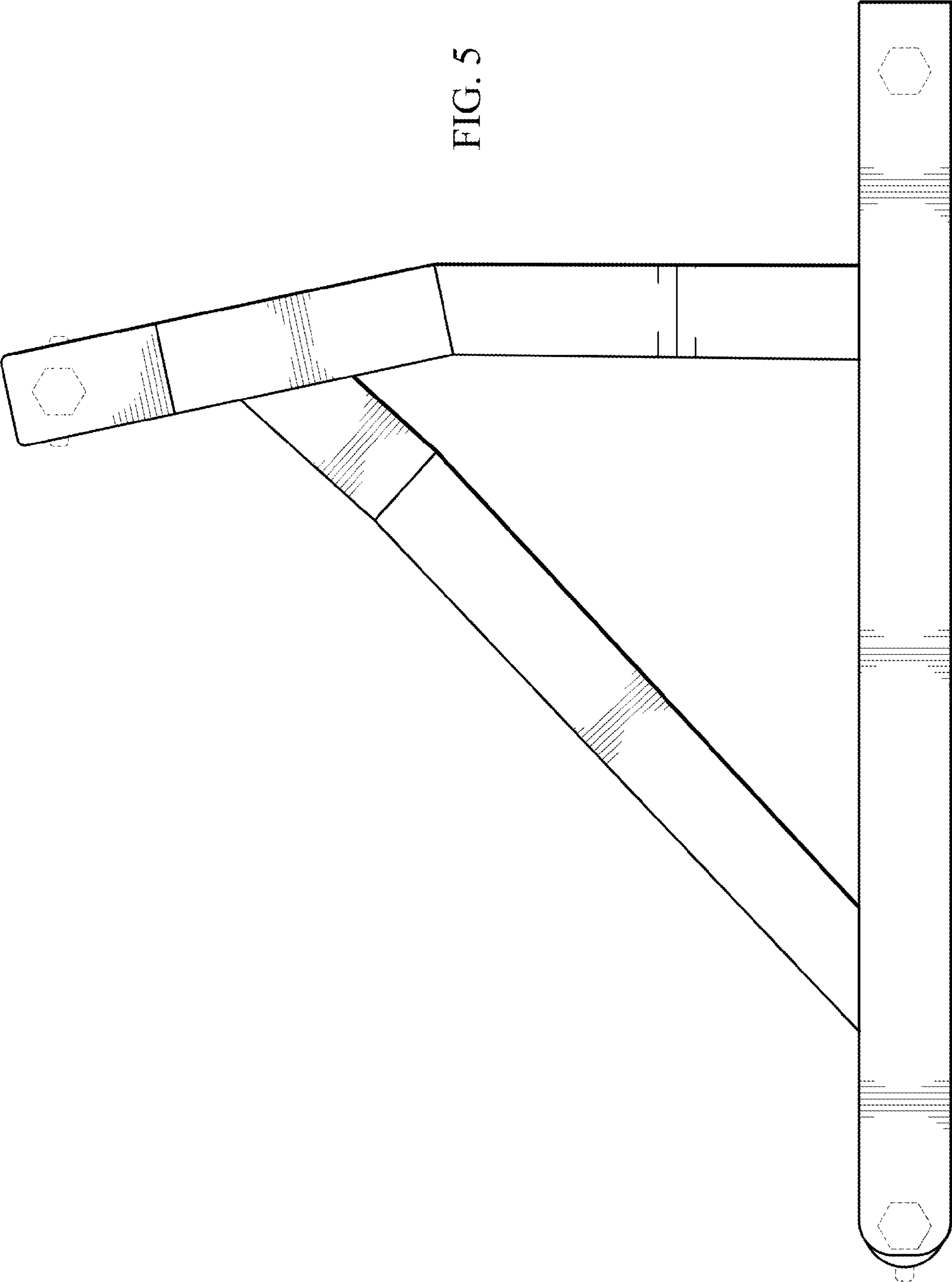


FIG. 4

FIG. 5



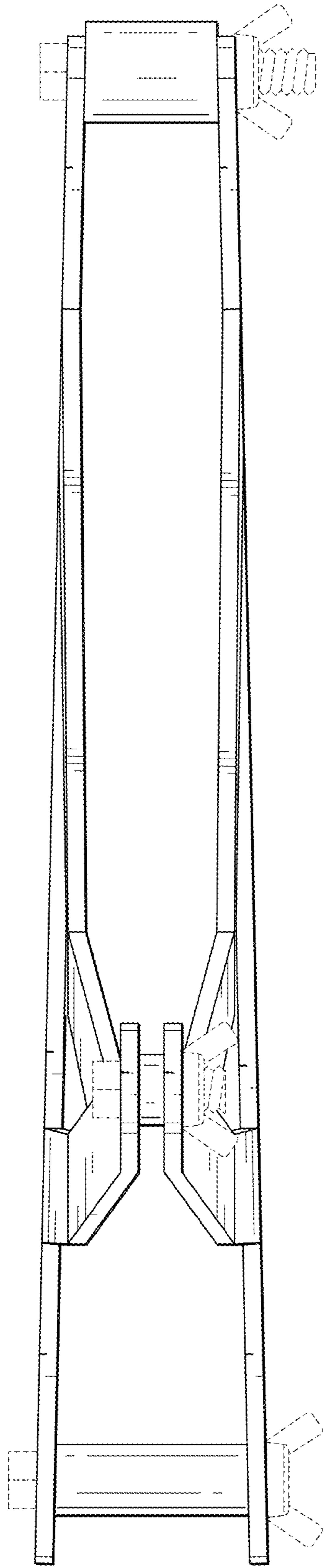


FIG. 6

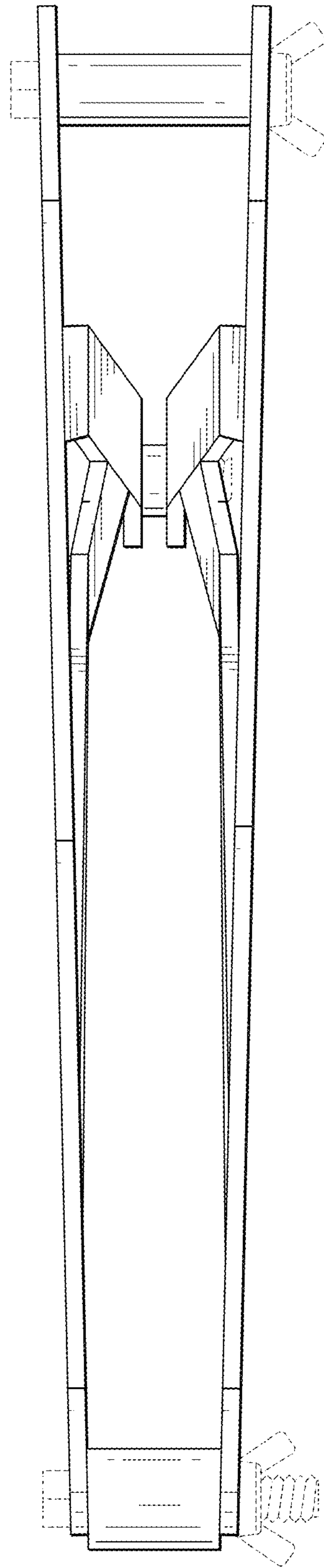


FIG. 7