



US00D900574S

(12) **United States Design Patent**
Dion

(10) **Patent No.:** **US D900,574 S**
(45) **Date of Patent:** **** Nov. 3, 2020**

(54) **PNEUMATIC NAILER**
(71) Applicant: **LABORATOIRE PRIMATECH INC.,**
Québec (Québec) (CA)
(72) Inventor: **Marc Dion,** St-Augustin-de-Desmaures
(CA)
(73) Assignee: **LABORATOIRE PRIMATECH INC.,**
Québec (Québec) (CA)
(**) Term: **15 Years**

3,313,463 A * 4/1967 Boucher A47G 27/0487
227/108
D323,272 S * 1/1992 Dion D8/49
D419,048 S * 1/2000 Batts, Jr. D8/61
6,095,392 A * 8/2000 Batts, Jr. B25C 1/008
227/130
D438,769 S * 3/2001 Deziel D8/49
7,198,188 B2 * 4/2007 Dion B25C 7/00
16/426
D563,748 S * 3/2008 Li D8/68
2006/0261129 A1 * 11/2006 McGee F16B 7/105
227/148
2007/0057013 A1 * 3/2007 Deziel B25C 7/00
227/147

(21) Appl. No.: **29/663,778**
(22) Filed: **Sep. 19, 2018**

* cited by examiner

(30) **Foreign Application Priority Data**
Apr. 20, 2018 (CA) 180937
(51) **LOC (12) Cl.** **08-05**
(52) **U.S. Cl.**
USPC **D8/68; D8/49**
(58) **Field of Classification Search**
USPC D8/61-70
CPC .. B25C 1/001; B25C 1/04; B25C 1/06; B25C
1/041; B25C 1/047
See application file for complete search history.

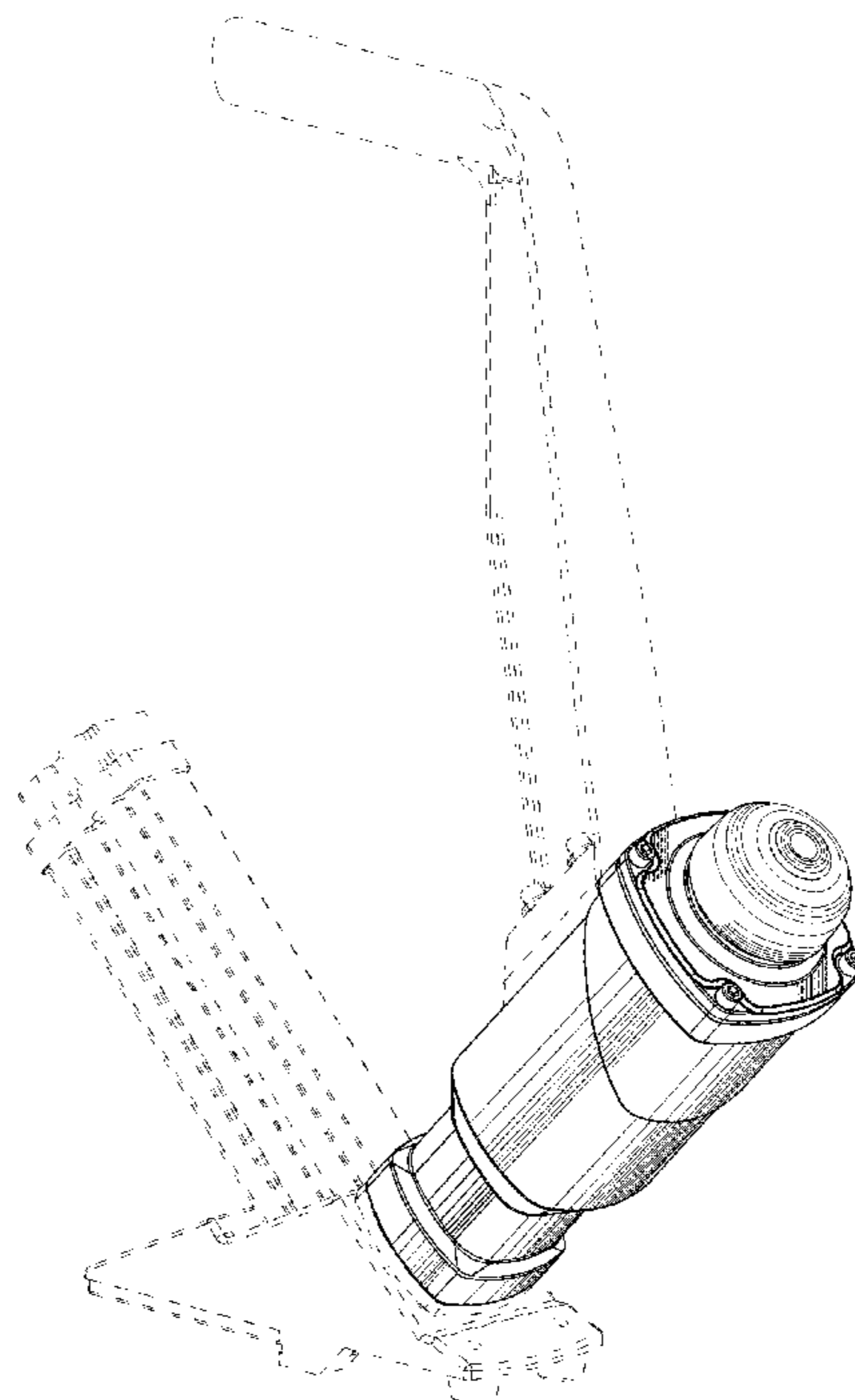
Primary Examiner — Darlington Ly
(74) *Attorney, Agent, or Firm* — Schumaker, Loop &
Kendrick, LLP; James D. Miller

(56) **References Cited**
U.S. PATENT DOCUMENTS
D195,799 S * 7/1963 Heilman D8/49
3,224,657 A * 12/1965 Zike B25C 5/0278
227/88
3,281,046 A * 10/1966 Boulay B25C 3/002
227/115

(57) **CLAIM**
The ornamental design for a pneumatic nailer, as shown and
described.

DESCRIPTION
FIG. 1 is a perspective view of a pneumatic nailer, a nail
magazine and a nailer base shown in phantom lines;
FIG. 2 is a top plan view of the pneumatic nailer;
FIG. 3 is a rear elevational view of the pneumatic nailer;
FIG. 4 is a right side elevational view of the pneumatic
nailer;
FIG. 5 is a front elevational view of the pneumatic nailer;
and,
FIG. 6 is a left side elevational view of the pneumatic nailer.
The broken lines in the drawings illustrate portions of the
pneumatic nailer that form no part of the claimed design.

1 Claim, 3 Drawing Sheets



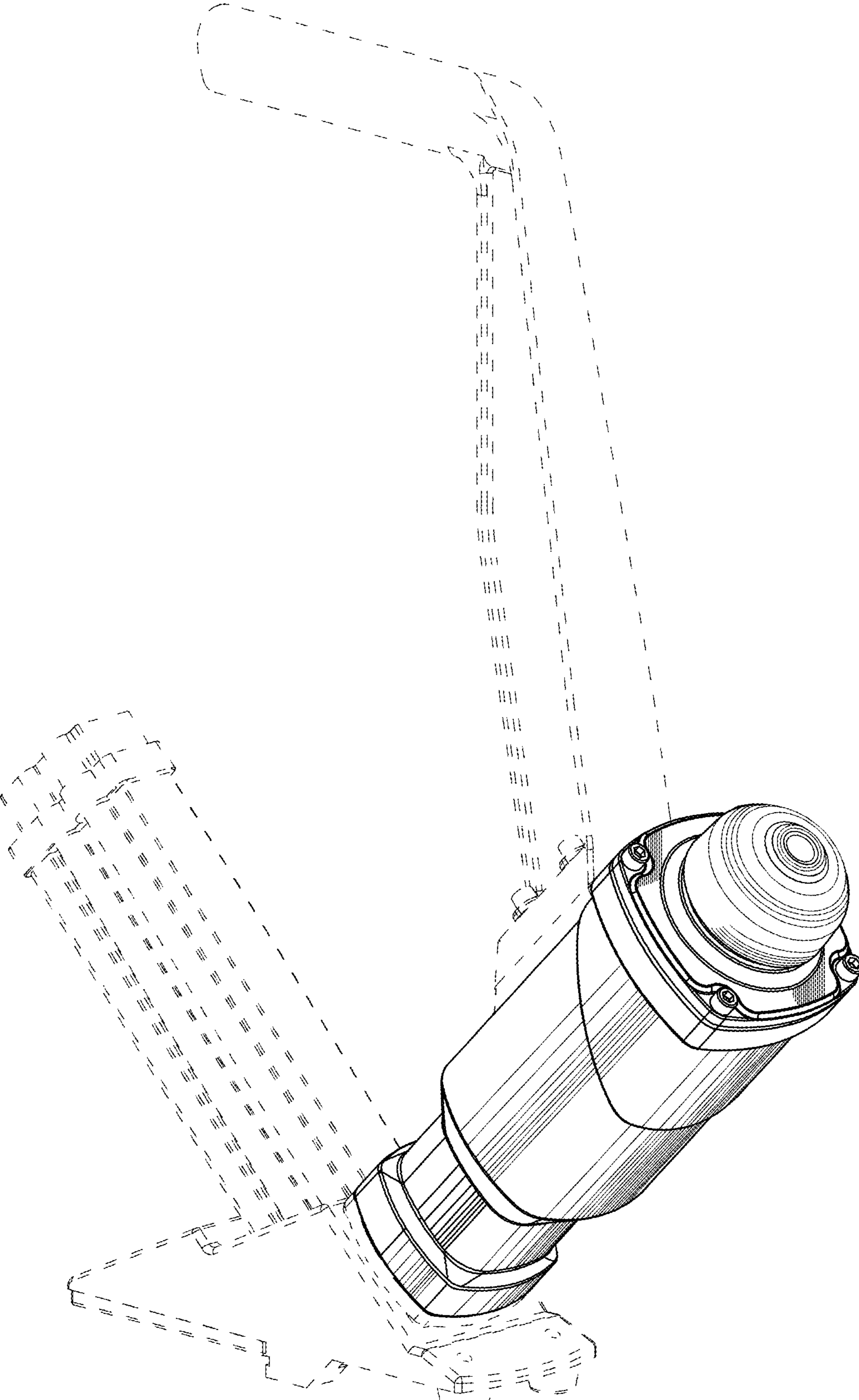


Fig.1

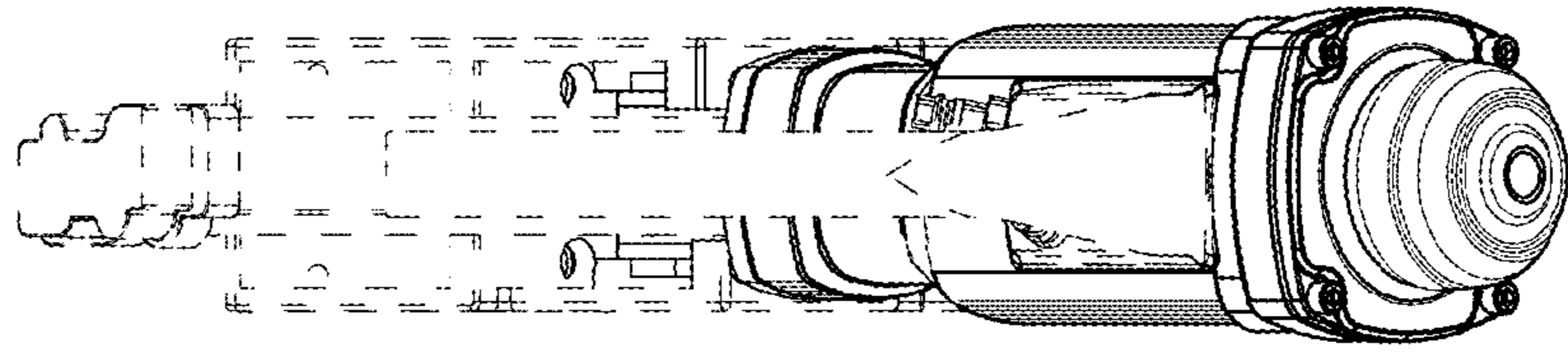


Fig. 2

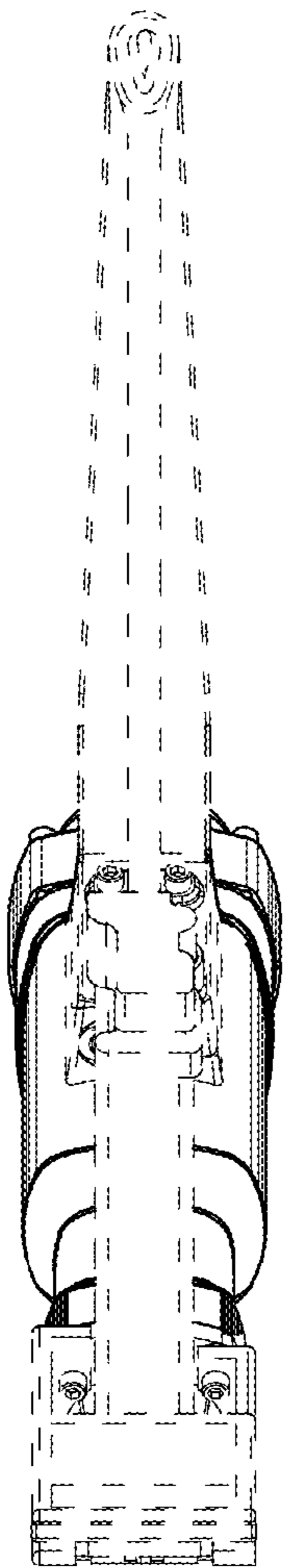


Fig. 3

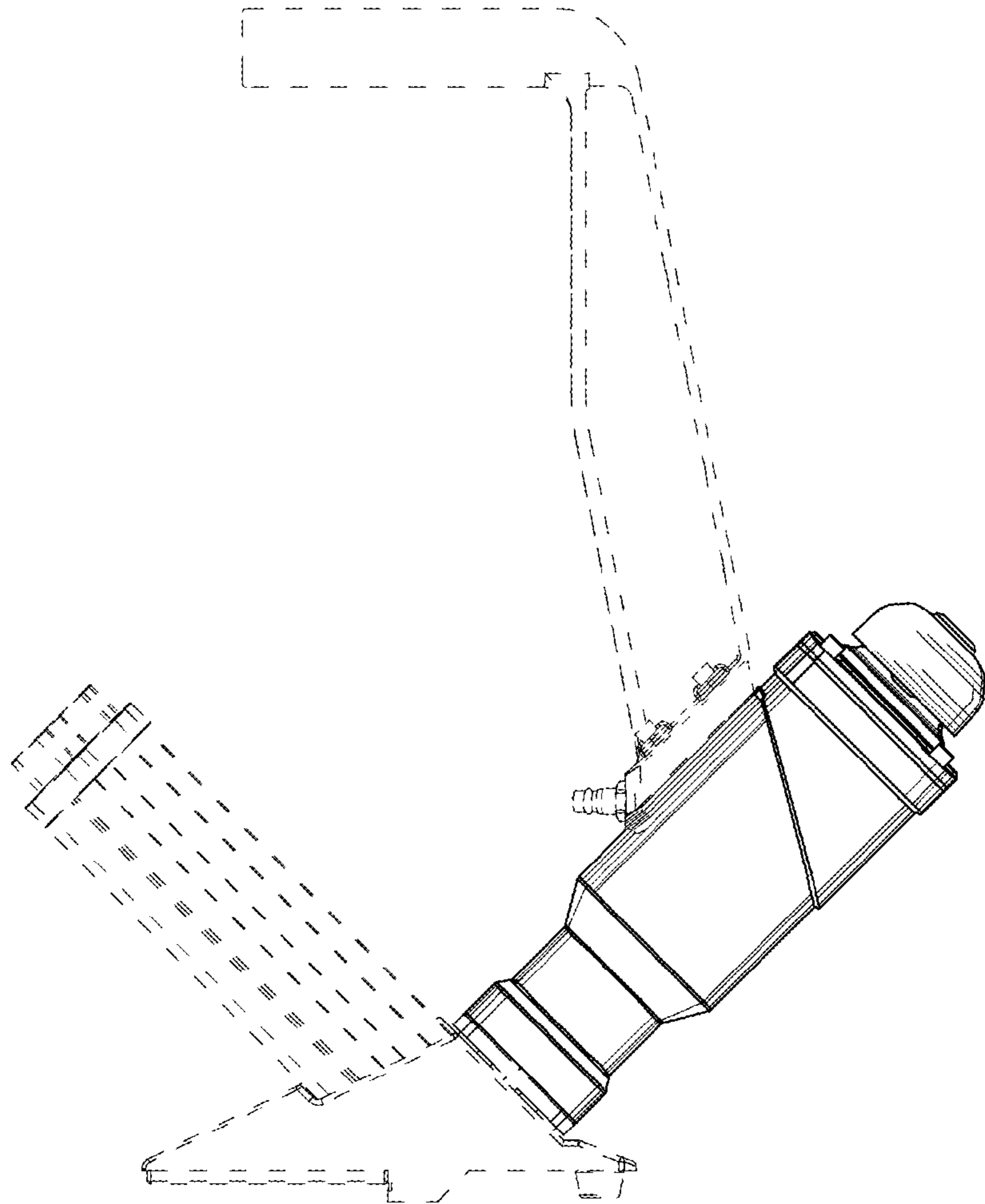


Fig. 4

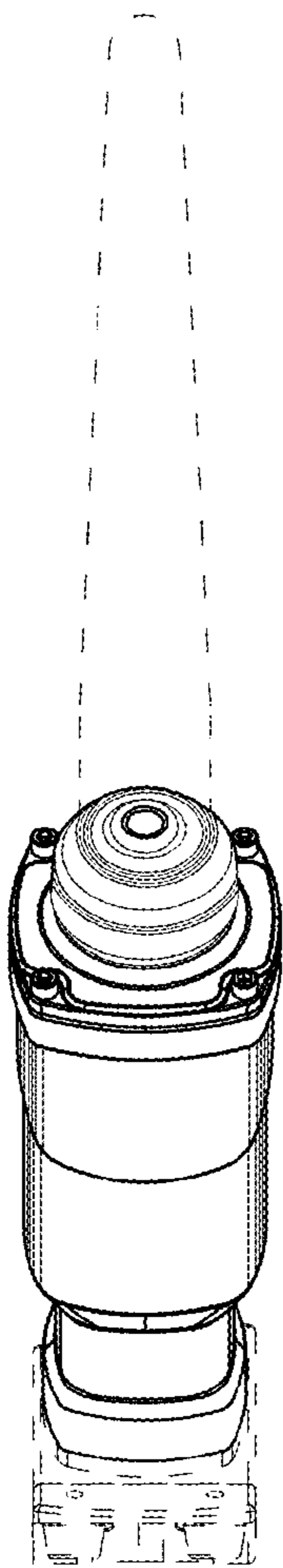


Fig.5

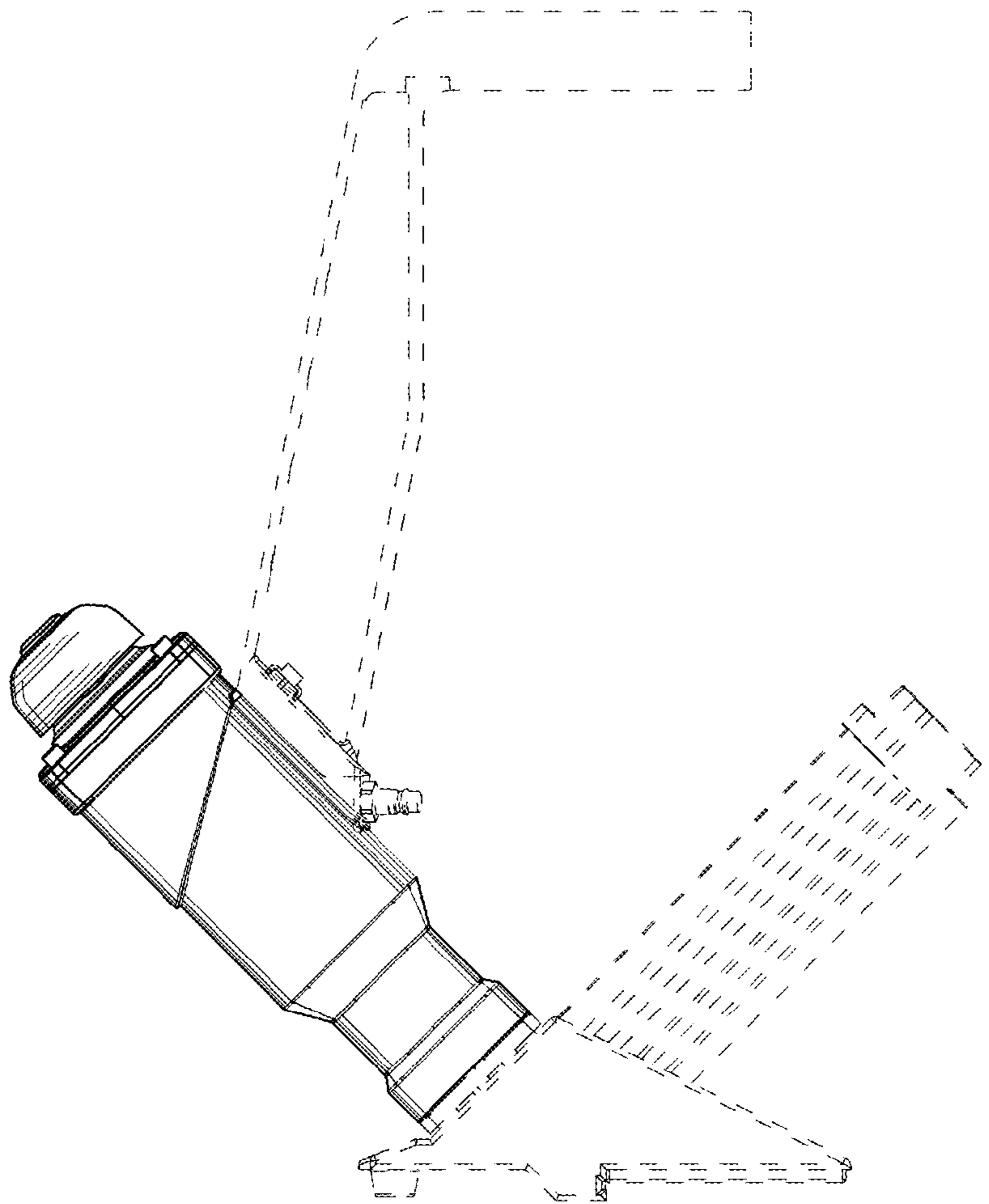


Fig.6