



US00D900573S

(12) **United States Design Patent**  
**Zheng et al.**

(10) **Patent No.:** **US D900,573 S**

(45) **Date of Patent:** **\*\* Nov. 3, 2020**

- (54) **SANDER**
- (71) Applicant: **SHENZHEN AUKEYHI TECHNOLOGY CO., LTD.**, Shenzhen (CN)
- (72) Inventors: **Huahui Zheng**, Shenzhen (CN); **Xiaowei Yin**, Shenzhen (CN)
- (73) Assignee: **SHENZHEN AUKEYHI TECHNOLOGY CO., LTD.**, Shenzhen (CN)
- (\*\*) Term: **15 Years**
- (21) Appl. No.: **29/698,123**
- (22) Filed: **Jul. 15, 2019**

D504,602 S *	5/2005	Aglassinger	D8/62
D509,720 S *	9/2005	Robson	D8/62
D526,868 S *	8/2006	Robson	D8/62
D528,387 S *	9/2006	Robson	D8/62
7,201,643 B2 *	4/2007	Dineen	B25F 5/006 16/430
D573,857 S *	7/2008	Stratford	D8/62
D585,257 S *	1/2009	Stratford	D8/62
7,553,217 B2 *	6/2009	Reich	B24B 55/102 451/344
D636,244 S *	4/2011	Keller	D8/62
D640,108 S *	6/2011	Lung Ng	D8/62
D640,109 S *	6/2011	Lung NG	D8/62
D679,159 S *	4/2013	Waldron	D8/62
D714,118 S *	9/2014	Aglassinger	D8/62
9,387,578 B2 *	7/2016	Kuehne	B25F 5/02
D767,357 S *	9/2016	Fahrner	D8/62
D831,458 S *	10/2018	Itoh	D8/62
D863,912 S *	10/2019	Yang	D8/62
D863,913 S *	10/2019	Yang	D8/62
2006/0003680 A1 *	1/2006	Robson	B25F 5/02 451/357

(30) **Foreign Application Priority Data**

May 6, 2019 (EM) ..... 006427654-0001

(51) **LOC (12) Cl.** ..... **08-03**

(52) **U.S. Cl.**  
USPC ..... **D8/62**

(58) **Field of Classification Search**  
USPC .... D8/69, 68, 67, 66, 64, 61, 70; 83/698.41,  
83/747, 166.3, 374, 373, 375, 376, 391,  
83/377, 390, 388, 389; 125/13.01;  
144/218; D21/532  
CPC ..... B24B 23/028; B24B 47/12; B24B 7/186;  
B25F 5/001; B25F 5/02  
See application file for complete search history.

(56) **References Cited**

**U.S. PATENT DOCUMENTS**

D413,242 S *	8/1999	Robson	D8/62
D416,459 S *	11/1999	Pears	D8/62
D435,768 S *	1/2001	Duffy	D8/62
6,179,696 B1 *	1/2001	Duffy	B24B 23/03 451/357

\* cited by examiner

*Primary Examiner* — Austin Murphy

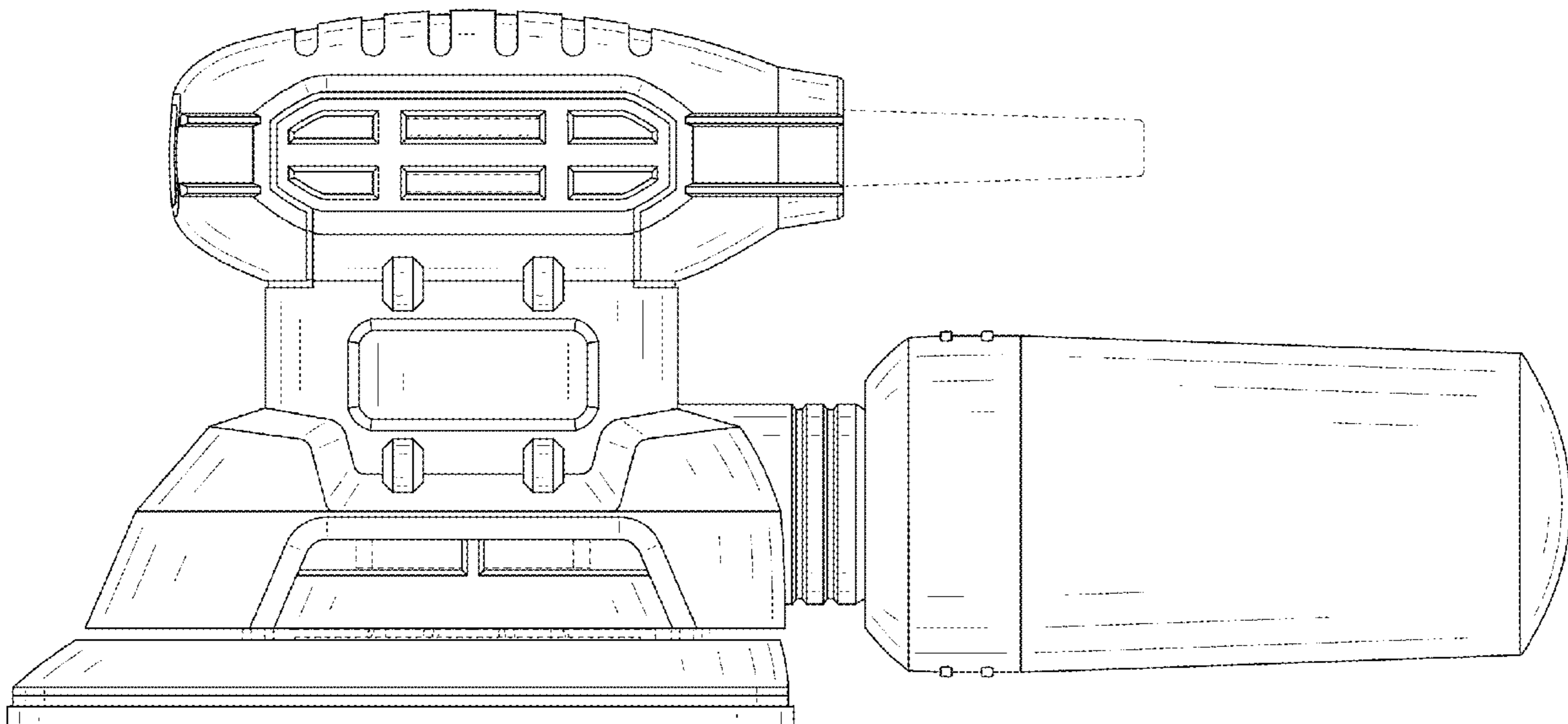
(57) **CLAIM**

The ornamental design for a sander, as shown and described.

**DESCRIPTION**

FIG. 1 is a perspective view of a sander showing our new design;  
FIG. 2 is a right side view thereof;  
FIG. 3 is a left side view thereof;  
FIG. 4 is a front elevational view thereof;  
FIG. 5 is a rear elevational view thereof;  
FIG. 6 is a top plan view thereof; and,  
FIG. 7 is a bottom plan view thereof.  
The evenly broken lines in the drawings illustrate portions of the article that form no part of the claim.

**1 Claim, 7 Drawing Sheets**



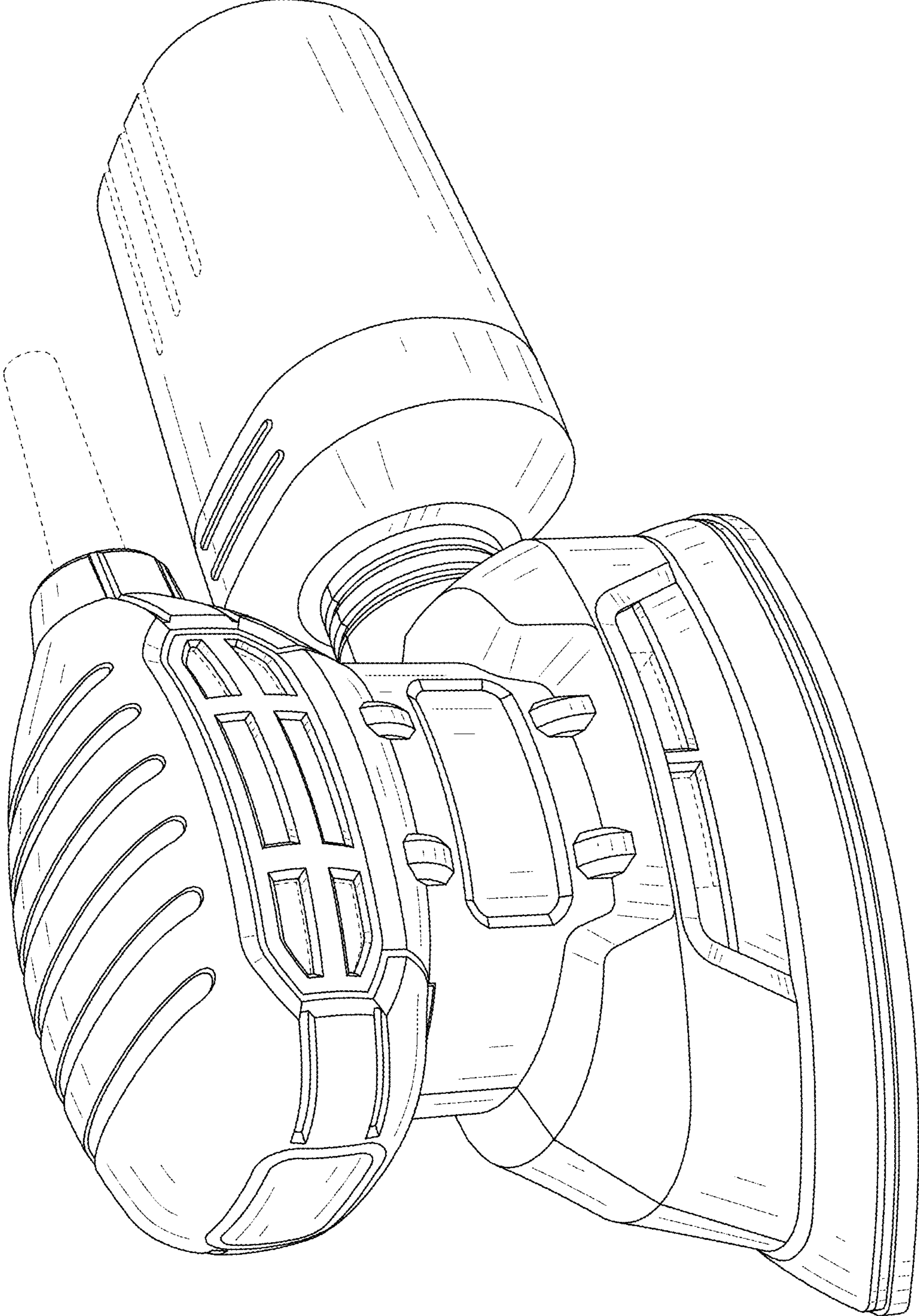


FIG. 1

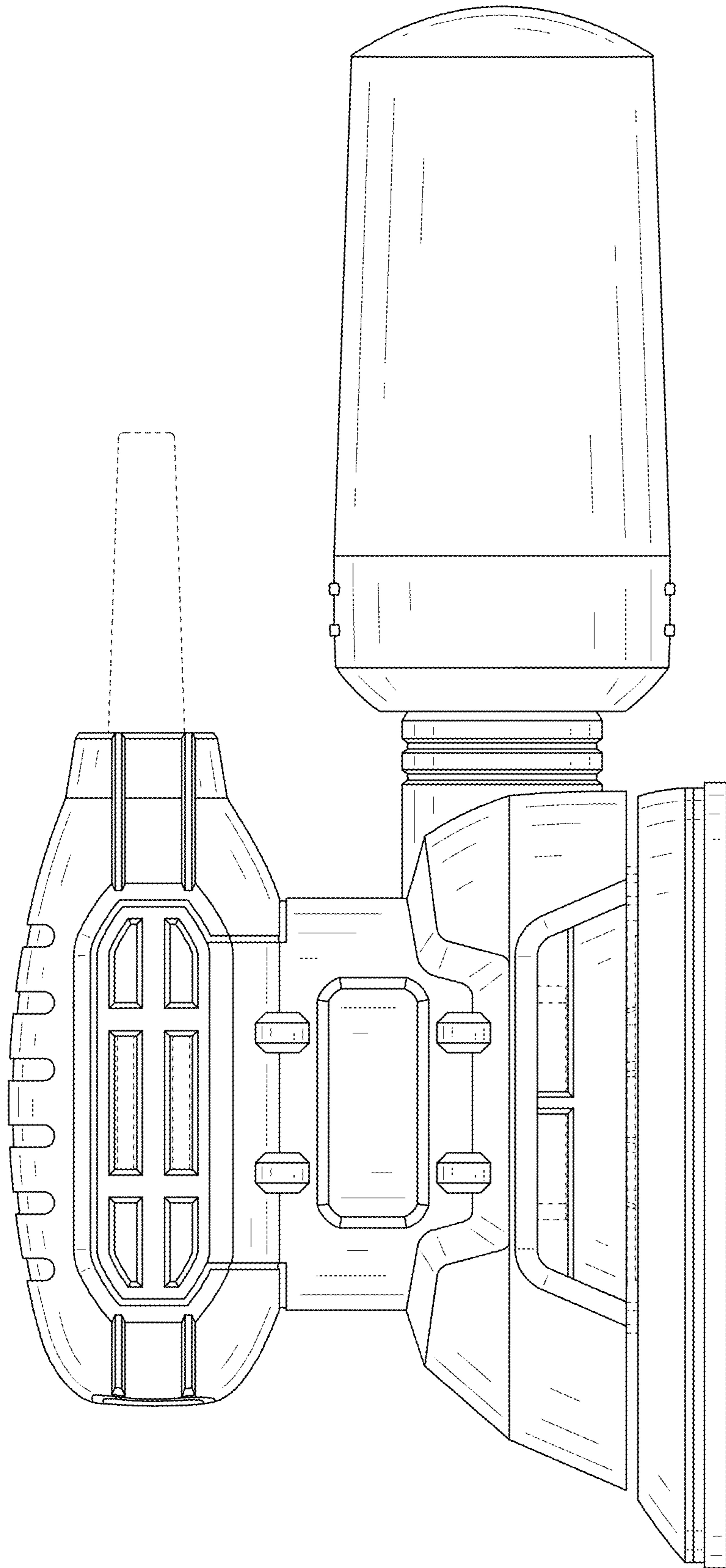


FIG. 2



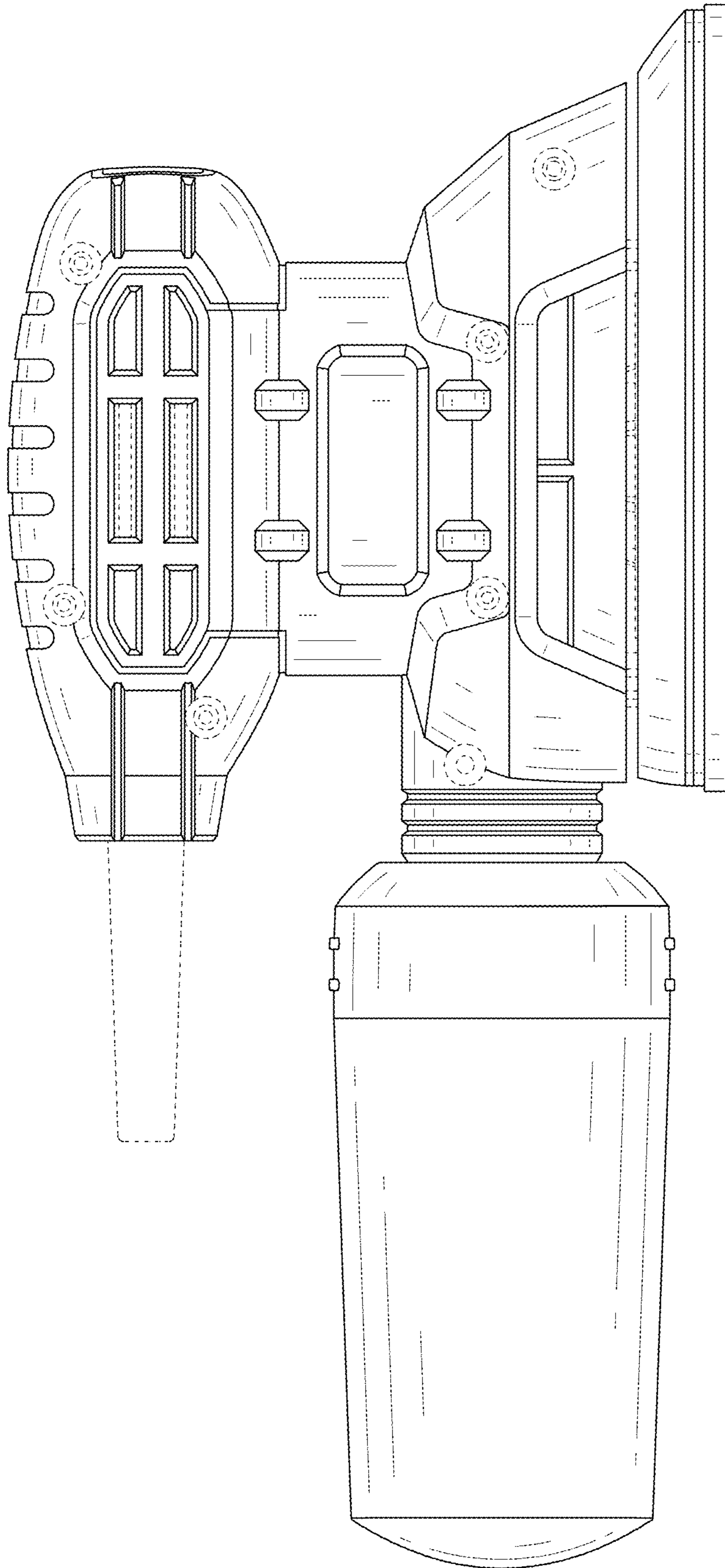


FIG. 3

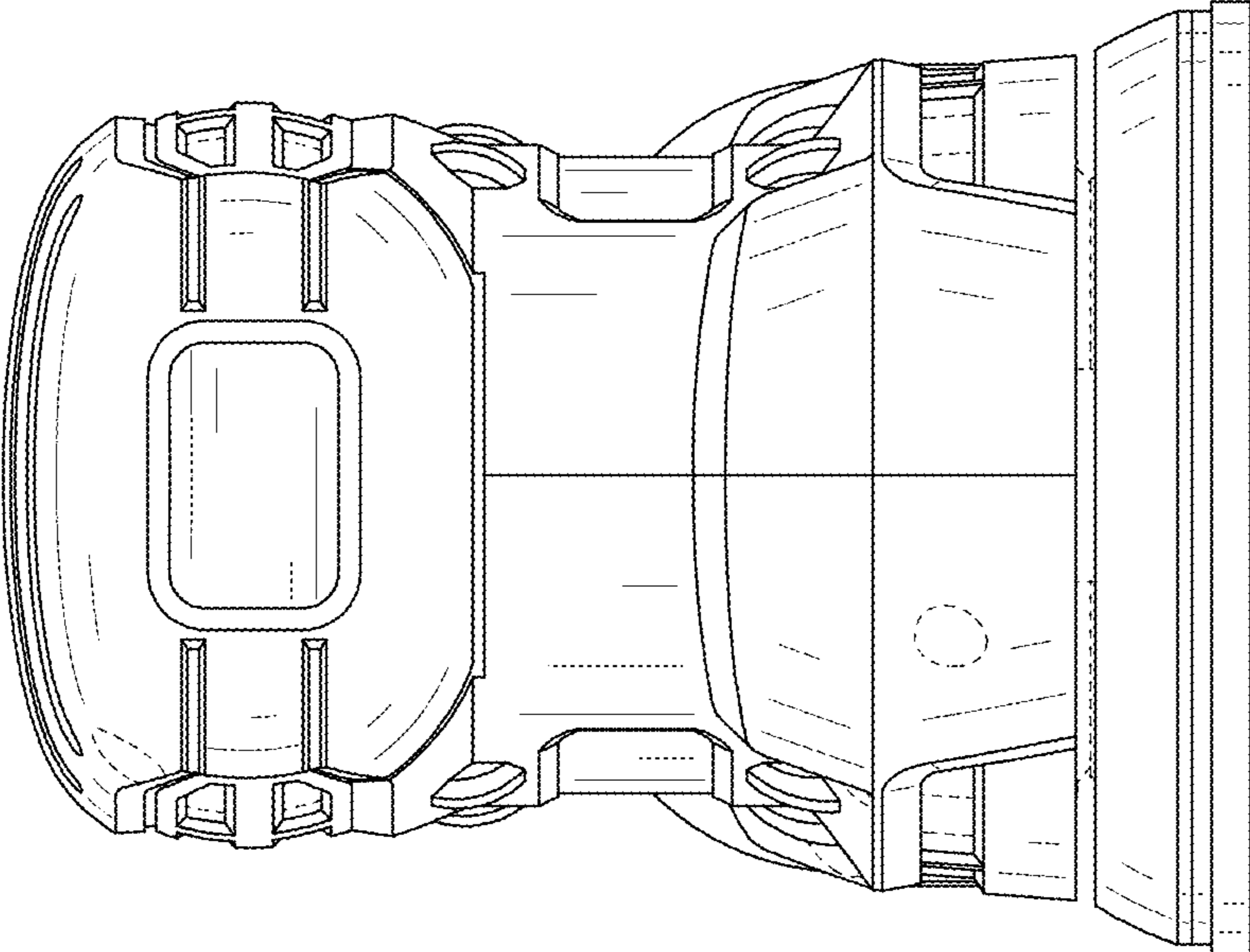


FIG. 4

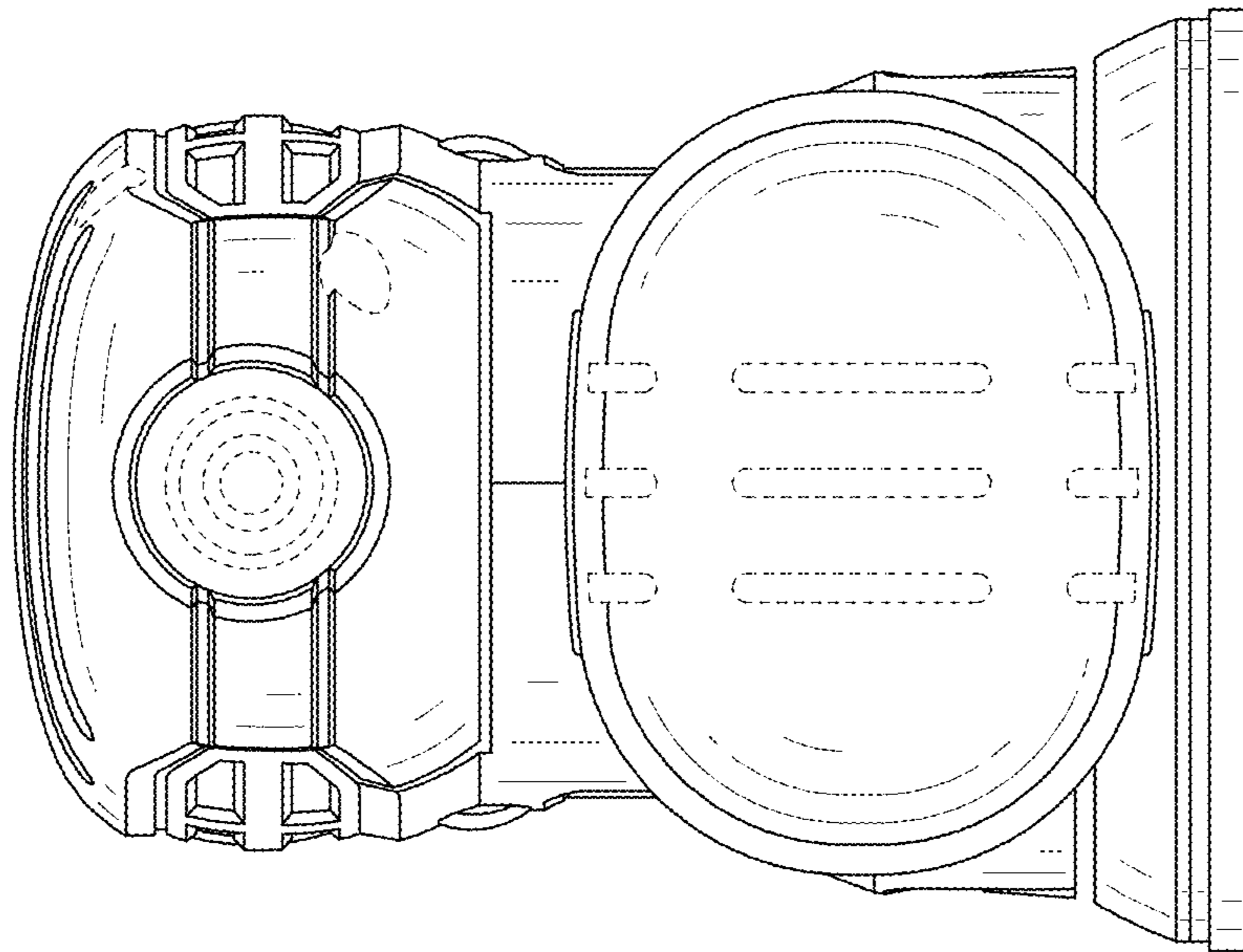


FIG. 5

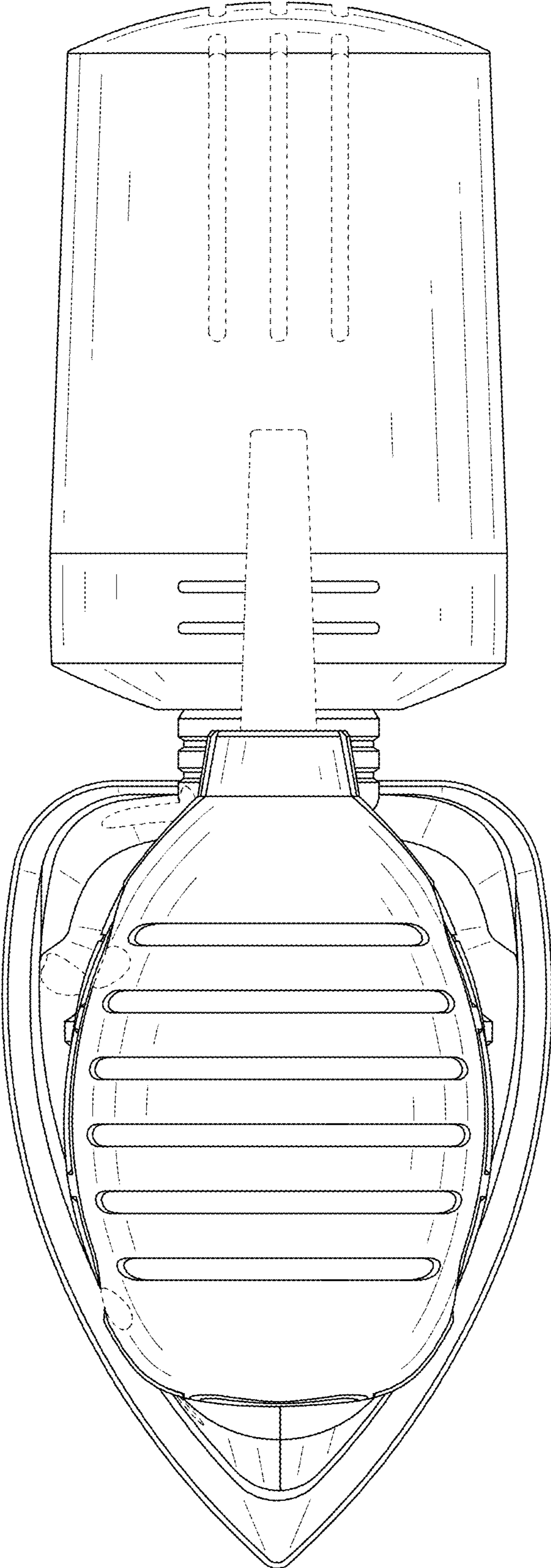


FIG. 6

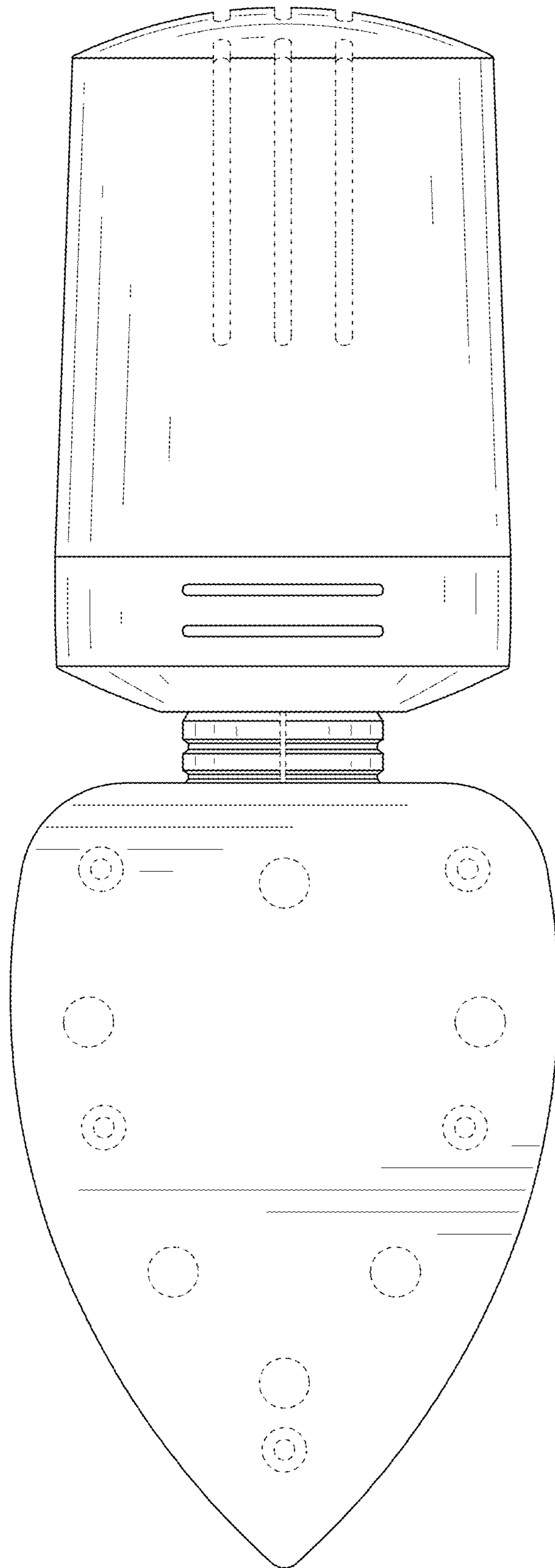


FIG. 7