



US00D900569S

(12) **United States Design Patent** (10) **Patent No.:** **US D900,569 S**
Imsand et al. (45) **Date of Patent:** **** Nov. 3, 2020**

(54) **RATCHET WRENCH**

(71) Applicant: **APEX BRANDS, INC.**, Apex, NC (US)

(72) Inventors: **Nicholas Ryan Imsand**, Huntersville, NC (US); **Minglin Shi**, Shanghai (CN); **Wanli Wu**, Shanghai (CN); **Gael Prat**, Etoiles (FR)

(73) Assignee: **APEX BRANDS, INC.**, Apex, NC (US)

(**) Term: **15 Years**

(21) Appl. No.: **29/691,598**

(22) Filed: **May 17, 2019**

(51) **LOC (12) Cl.** **08-05**

(52) **U.S. Cl.**
USPC **D8/25; D8/24**

(58) **Field of Classification Search**
USPC D8/15-29, 29.1, 29.2, 30-32, 349, D8/382-386, 396-399, 70, 71, 70.1, D8/72-74, 471, 83, 104-107, 354, 361, D8/362, 360, 360.1, 363-372, 355-359; 81/487, 60, 186, 124, 4, 121.1, 63.1, 119, 81/489, 177.1, 177.2, 177.85, 177.8, 62
CPC . B25B 23/1427; B25B 23/0007; B25B 23/16; B25B 17/00; B25B 23/0028; B25B 23/0021; B25B 13/50; B25B 13/08; B25B 13/481; B25G 1/043; E06B 3/685
See application file for complete search history.

(56) **References Cited**

U.S. PATENT DOCUMENTS

D748,443 S * 2/2016 Ou D8/25
D820,056 S * 6/2018 Zhang D8/25
D828,128 S * 9/2018 Solar D8/25

D859,104 S * 9/2019 Yu D8/25
2003/0154825 A1 * 8/2003 Huang B25G 1/085
81/60
2006/0027059 A1 * 2/2006 Hsien B25G 1/043
81/489

(Continued)

FOREIGN PATENT DOCUMENTS

CN 302887035 * 11/2013
JP D1088373 * 8/2000

(Continued)

OTHER PUBLICATIONS

Gearwrench, Gearwrench 3/8" Drive Micrometer Torque Wrench 30-250 in/lbs.—Date first available Jul. 7, 2004 [online] retrieved Jun. 25, 2020, available from internet, www.amazon.com (Year: 2004).*

(Continued)

Primary Examiner — Keli L Hill
Assistant Examiner — Sara S Sahneh
(74) *Attorney, Agent, or Firm* — Burr & Forman, LLP

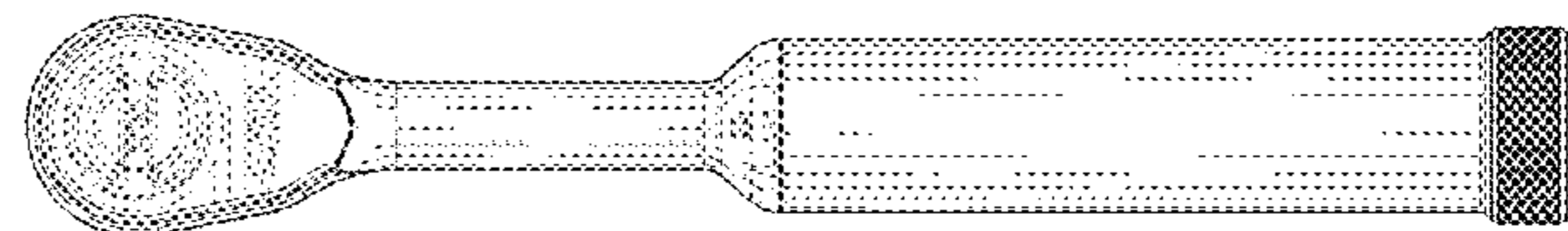
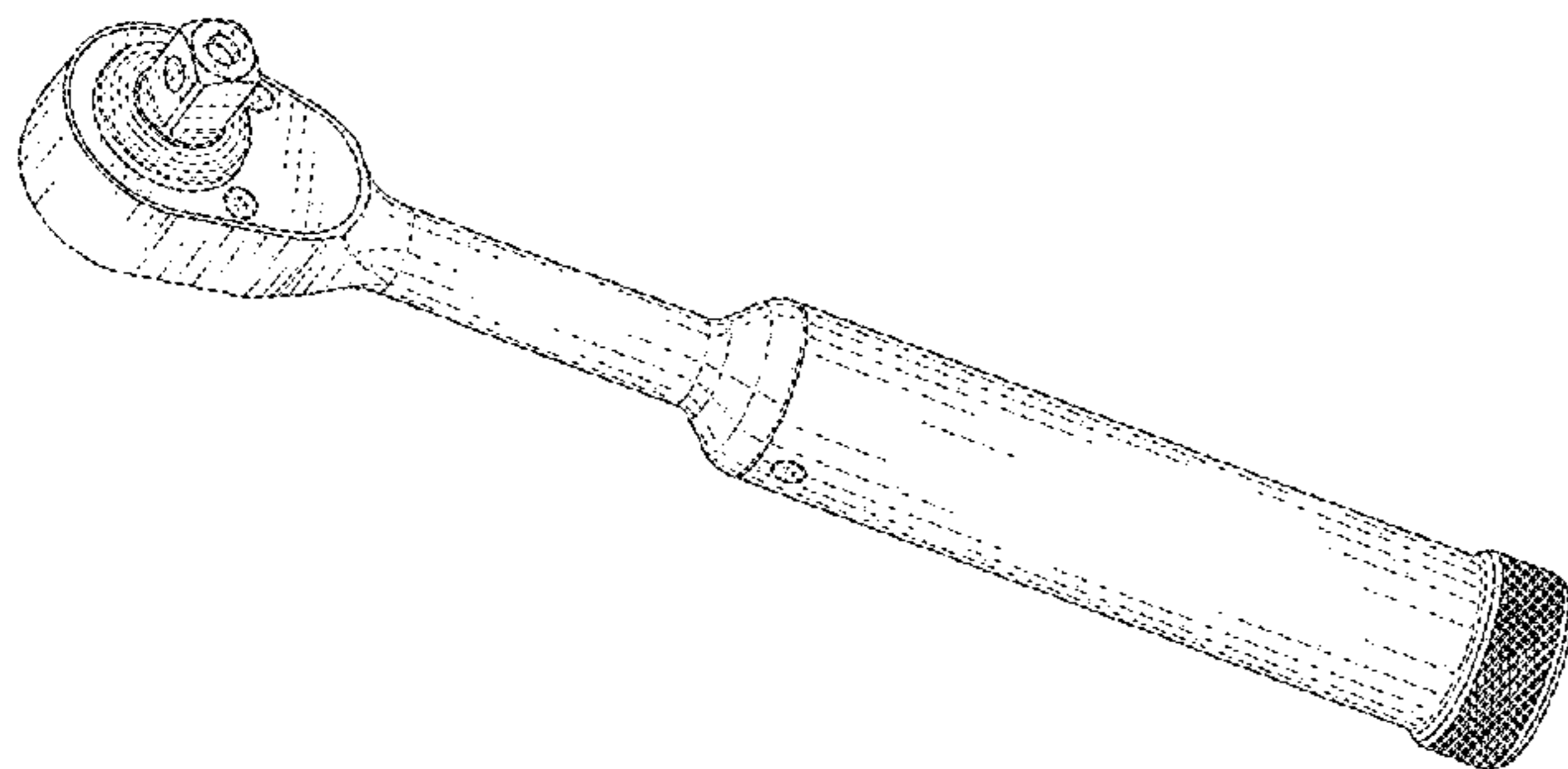
(57) **CLAIM**

The ornamental design for a ratchet wrench, as shown and described.

DESCRIPTION

FIG. 1 is a perspective view of a ratchet wrench in showing our new design;
FIG. 2 is a left side view of the ratchet wrench of FIG. 1;
FIG. 3 is a right side view of the ratchet wrench of FIG. 1;
FIG. 4 is a top view of the ratchet wrench of FIG. 1;
FIG. 5 is a bottom view of the ratchet wrench of FIG. 1;
FIG. 6 is a back view of the ratchet wrench of FIG. 1; and,
FIG. 7 is a front view of the ratchet wrench of FIG. 1.
The broken lines of the Ratchet Wrench in FIGS. 1-7 are illustrative of portions of the ratchet wrench that form no part of the claimed design.

1 Claim, 6 Drawing Sheets



(56)

References Cited

U.S. PATENT DOCUMENTS

2008/0098859 A1* 5/2008 Hu B25G 1/105
81/126
2008/0264214 A1* 10/2008 Hu B25G 1/105
81/177.1
2015/0020653 A1* 1/2015 Chen B25G 1/04
81/489
2017/0120426 A1* 5/2017 Hu B25B 21/005
2017/0120431 A1* 5/2017 Lawrence B25B 23/18
2019/0381639 A1* 12/2019 Carnesi B25B 23/16
2020/0086474 A1* 3/2020 Avalos B25B 23/16

FOREIGN PATENT DOCUMENTS

WO D077400-001 * 10/2011
WO D101323-001 * 2/2018

OTHER PUBLICATIONS

XtremepowerUS ,XtremepowerUS Ratchet Proto Type Drive Socket Wrench Grip 1/4" Hand Tools Soft Grip Handle, Date first available Nov. 20, 2013, [online]retrieved Jun. 26, 2020, available from internet, www.amazon.com (Year: 2013).*

Olsa Tools,Olsa Tools Click Torque Wrench, 1/4-Inch Drive (30-150 in-lb Torque Range), Date first available Jun. 24, 2019, [online]retrieved Jun. 26, 2020, available from internet, www.amazon.com (Year: 2019).*

* cited by examiner

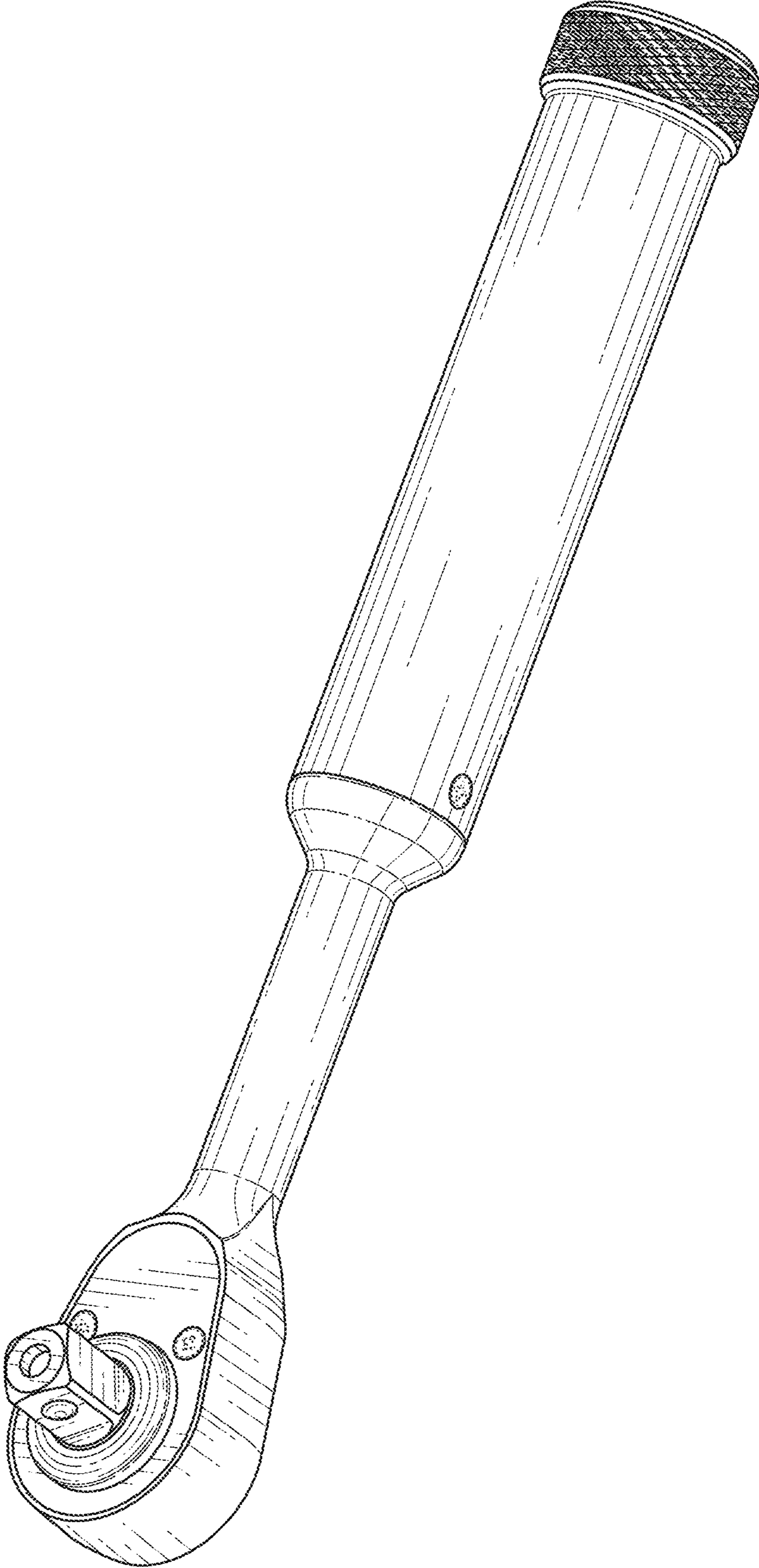


FIG. 1

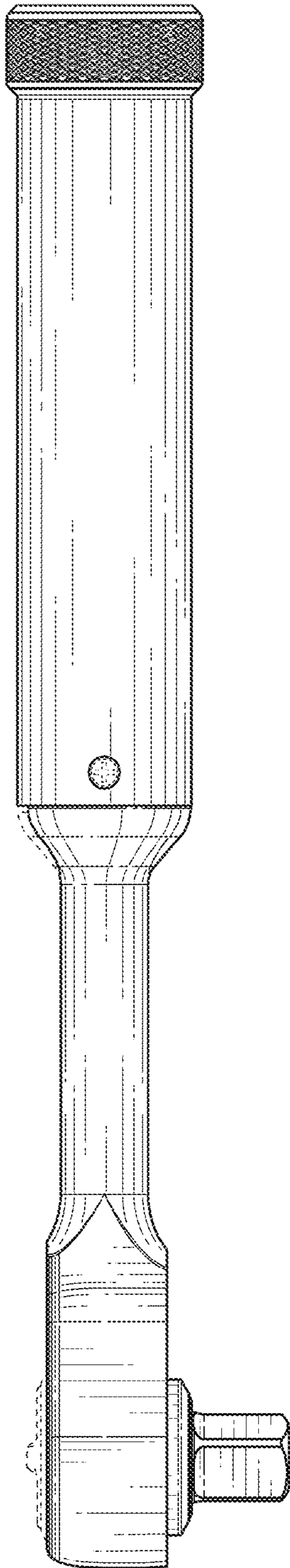


FIG. 2

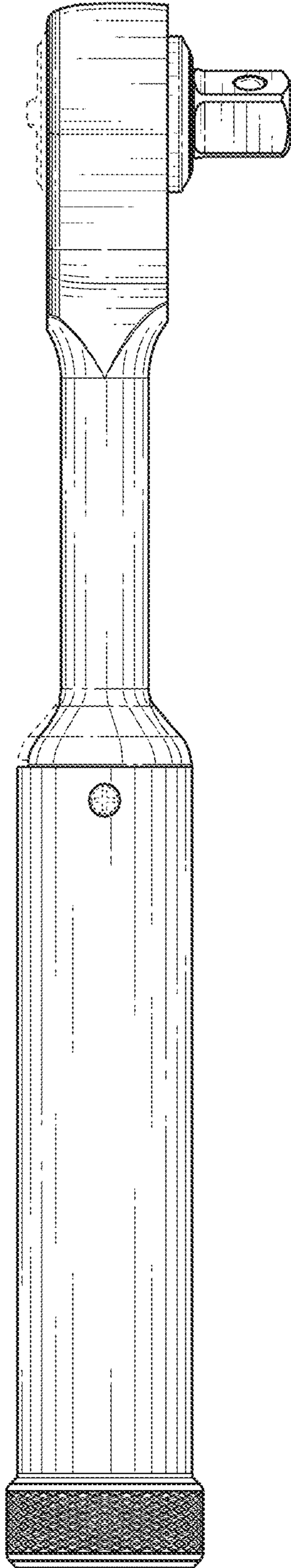


FIG. 3

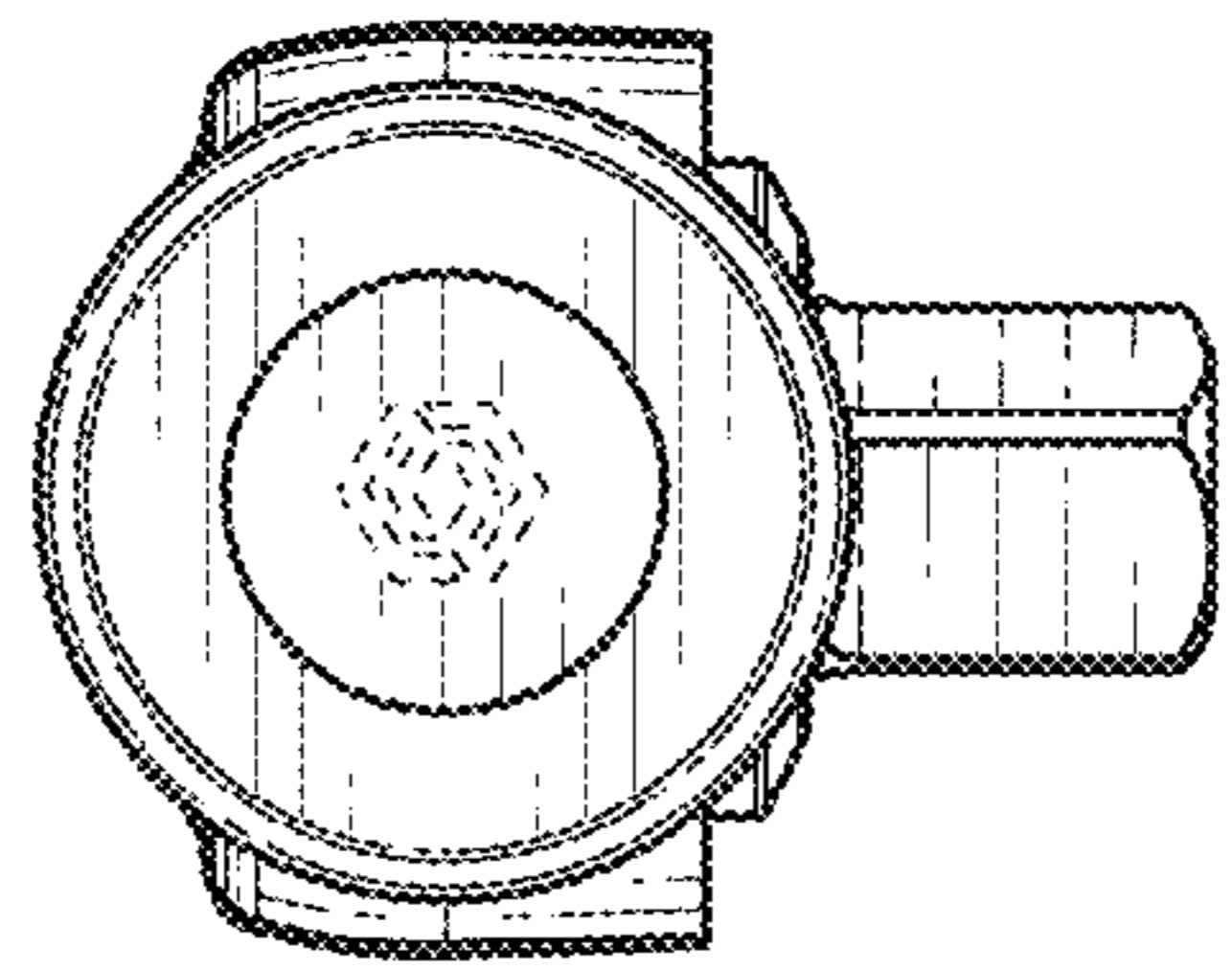


FIG. 5

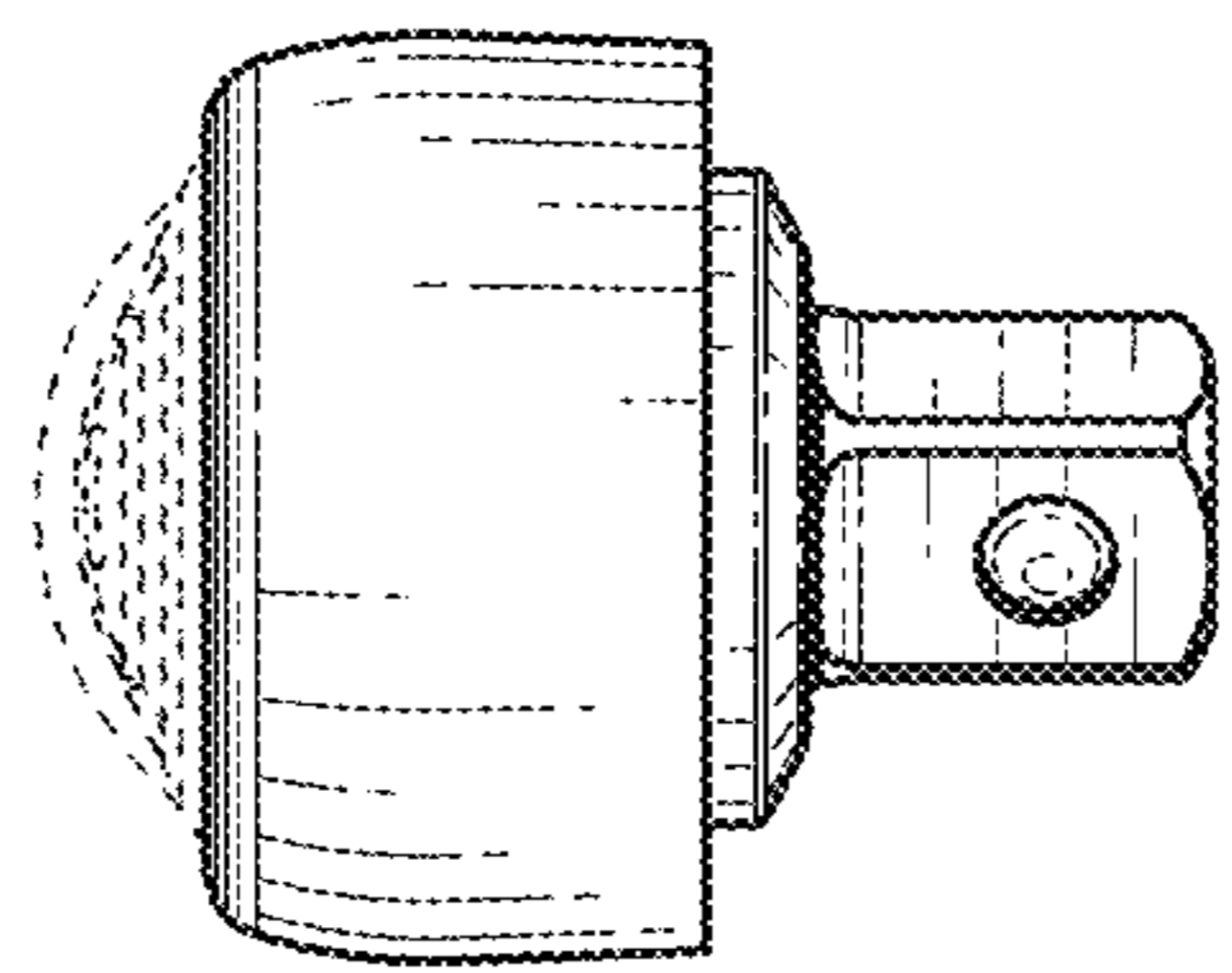


FIG. 4

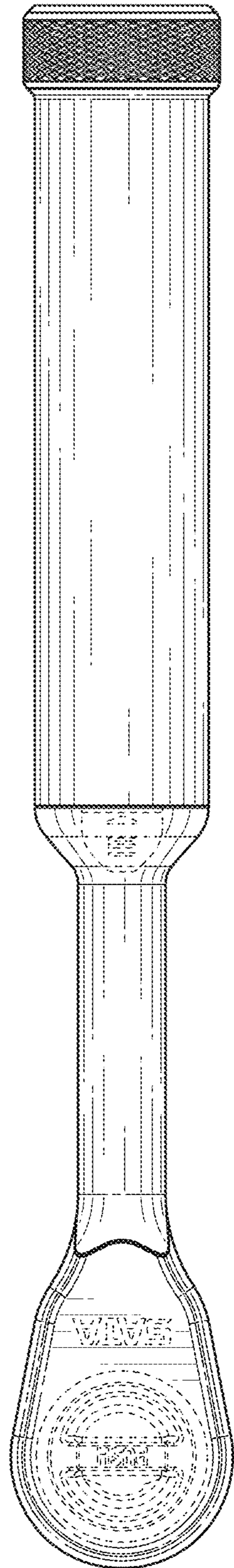


FIG. 6

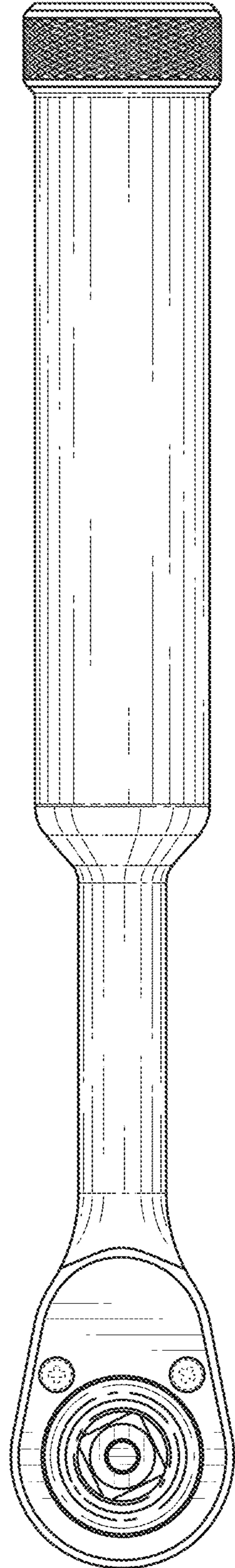


FIG. 7