



US00D900568S

(12) **United States Design Patent**
Zimmer

(10) **Patent No.:** **US D900,568 S**

(45) **Date of Patent:** **** Nov. 3, 2020**

(54) **WRENCH**

(71) Applicant: **Trent Zimmer**, Houma, LA (US)

(72) Inventor: **Trent Zimmer**, Houma, LA (US)

(**) Term: **15 Years**

(21) Appl. No.: **29/644,571**

(22) Filed: **Apr. 18, 2018**

(51) **LOC (12) Cl.** **08-05**

(52) **U.S. Cl.**
USPC **D8/17; D8/21**

(58) **Field of Classification Search**
USPC D8/105, 55, 107, 99, 4, 16, 19, 14, 17,
D8/21; D12/127

CPC .. B25B 7/22; B25B 7/06; B25B 23/00; B25B
33/00

See application file for complete search history.

(56) **References Cited**

U.S. PATENT DOCUMENTS

D59,396 S *	10/1921	Williams	D8/17
1,640,383 A *	8/1927	Thomas	B25B 13/08 81/176.15
D104,869 S *	6/1937	McNaught	D8/17
D245,548 S *	8/1977	Morgan	D3/18
D548,552 S *	8/2007	Elkaim	F41A 35/00 D22/199
D598,723 S *	8/2009	Cheng	D8/17
D601,393 S *	10/2009	Cui	D8/17
D666,883 S *	9/2012	Howard	F41A 35/00 D8/19
D689,351 S *	9/2013	Webb, Jr.	D8/17
D703,502 S *	4/2014	Cheng	D8/21
D725,451 S *	3/2015	Mayberry	D8/21
D726,517 S *	4/2015	Fischer	D8/17

D728,333 S *	5/2015	Sui	D8/21
D742,706 S *	11/2015	Sui	D8/21
D772,028 S *	11/2016	Tangreen	D8/17
D780,550 S *	3/2017	Manor	D8/105
D781,125 S *	3/2017	Manor	D8/105
D803,020 S *	11/2017	Cheng	D8/21
D805,865 S *	12/2017	Sui	D8/21
D832,673 S *	11/2018	Berman	D8/105
D837,619 S *	1/2019	George	D8/14
D878,890 S *	3/2020	Riehl	D8/105
D887,811 S *	6/2020	Adelman	D8/105
2012/0125162 A1 *	5/2012	Nguyen	B25B 13/48 81/124.4

* cited by examiner

Primary Examiner — Janice Hallmark

(74) *Attorney, Agent, or Firm* — Asgaard Patent Services, LLC; F. Wayne Thompson, Jr.

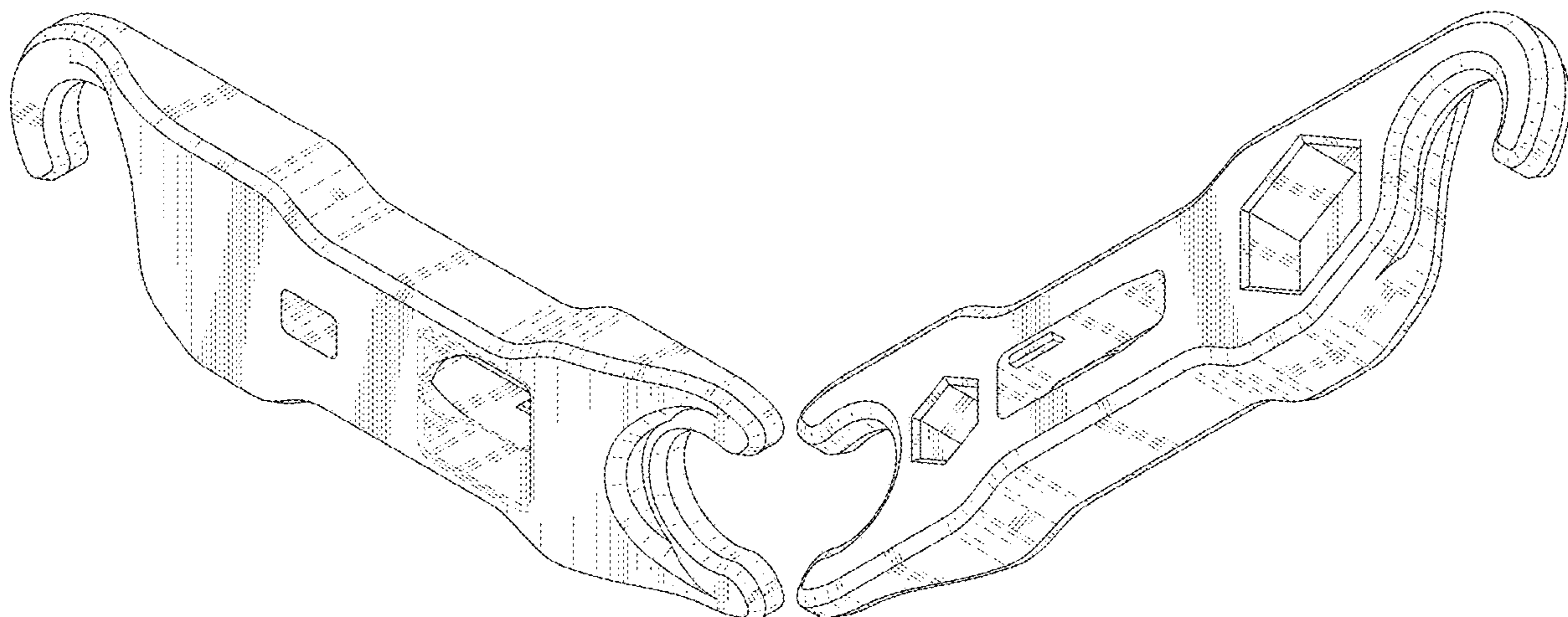
(57) **CLAIM**

The ornamental design for a wrench, as shown and described.

DESCRIPTION

FIG. 1 is a top, front, right isometric view of a wrench; FIG. 2 is a bottom, back, left isometric view of the wrench shown in FIG. 1; FIG. 3 is a top view of the wrench shown in FIG. 1; FIG. 4 is a bottom view of the wrench shown in FIG. 1; FIG. 5 is a front view of the wrench shown in FIG. 1; FIG. 6 is a rear view of the wrench shown in FIG. 1; FIG. 7 is a right side view of the wrench shown in FIG. 1; FIG. 8 is a left side view of the wrench shown in FIG. 1; and, FIG. 9 is a sectional view, taken along line 9-9 of FIG. 5, of the wrench shown in FIG. 1.

1 Claim, 6 Drawing Sheets



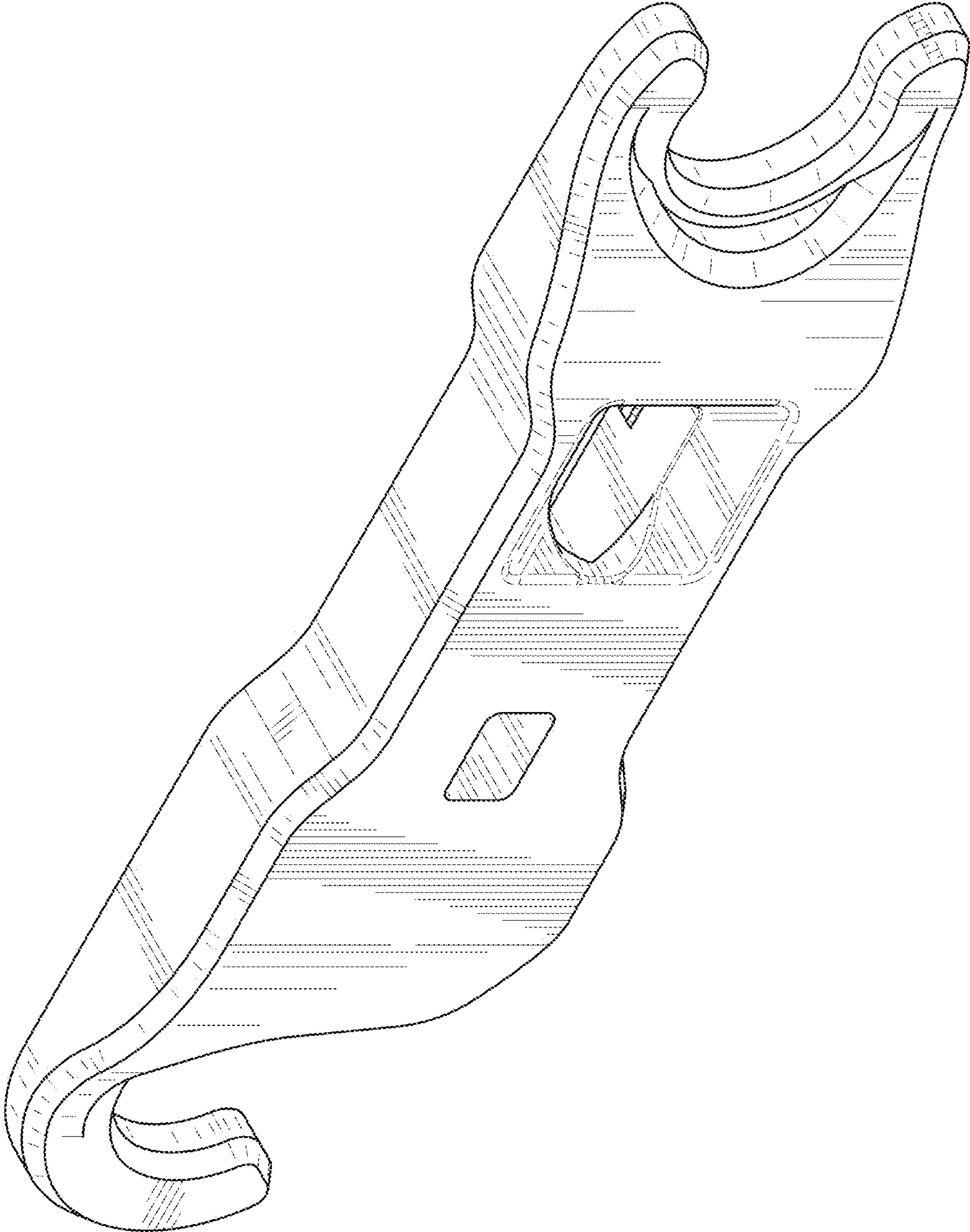


FIG. 1

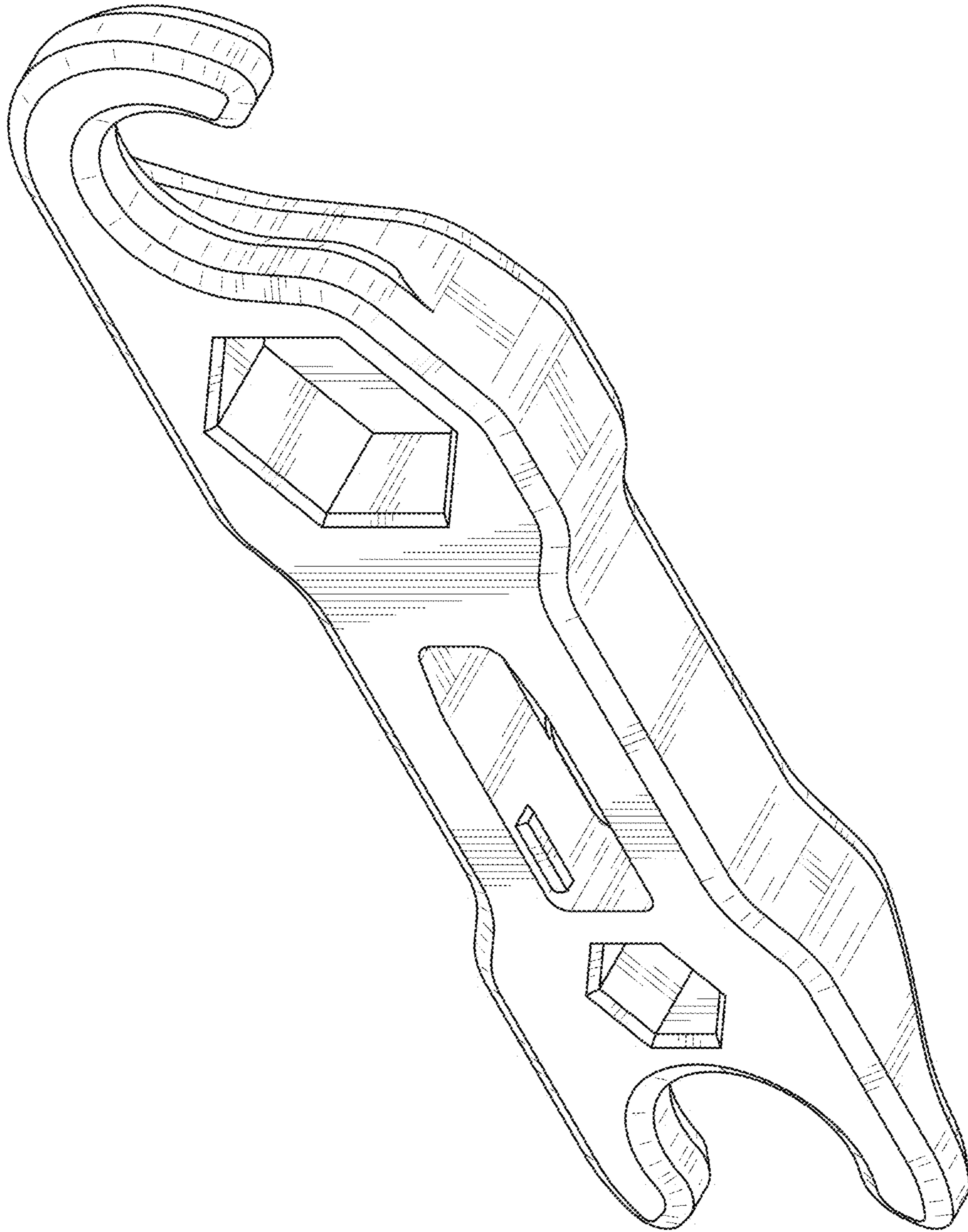


FIG. 2

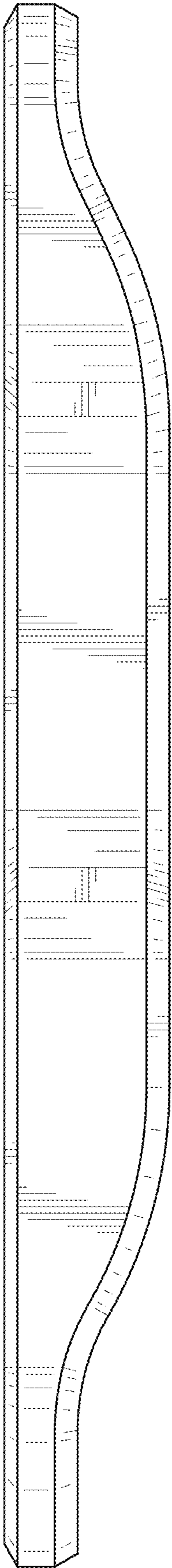


FIG. 3

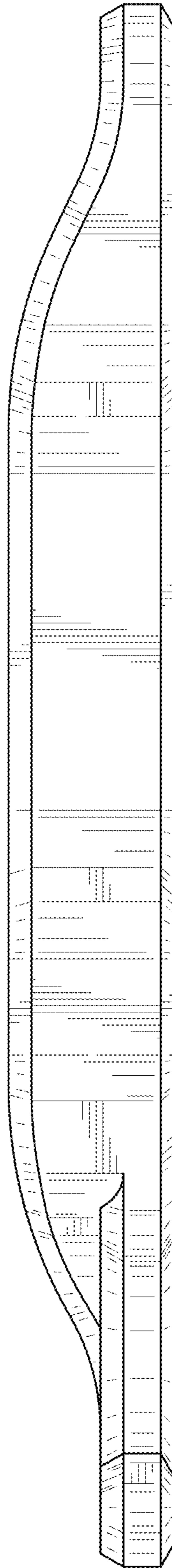


FIG. 4

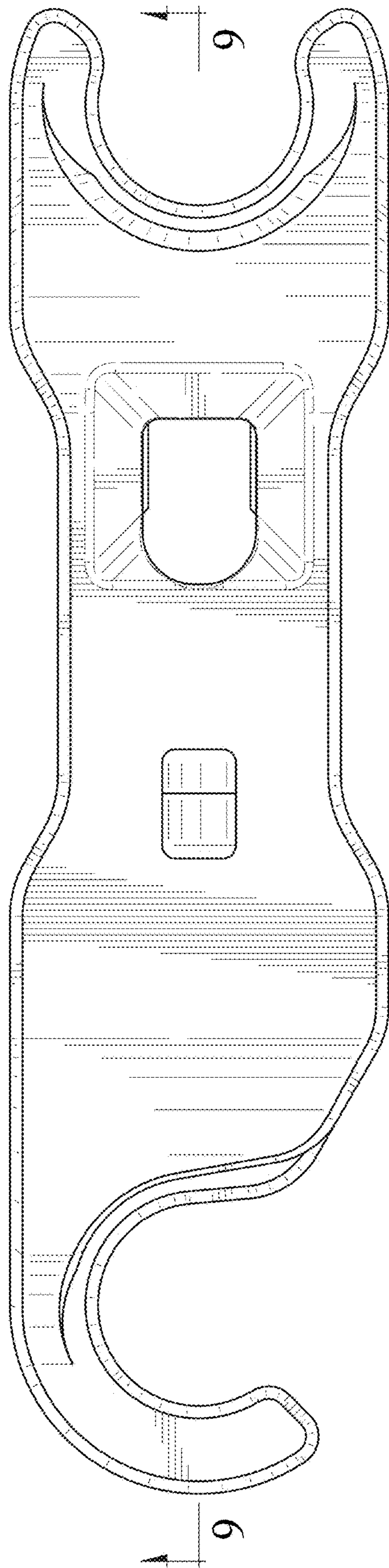


FIG. 5

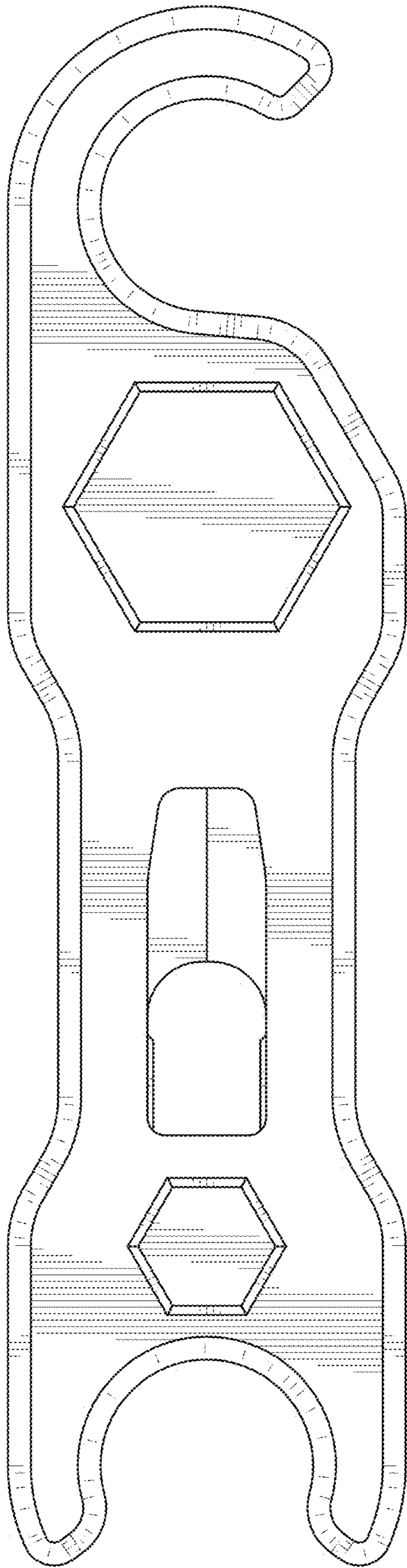


FIG. 6

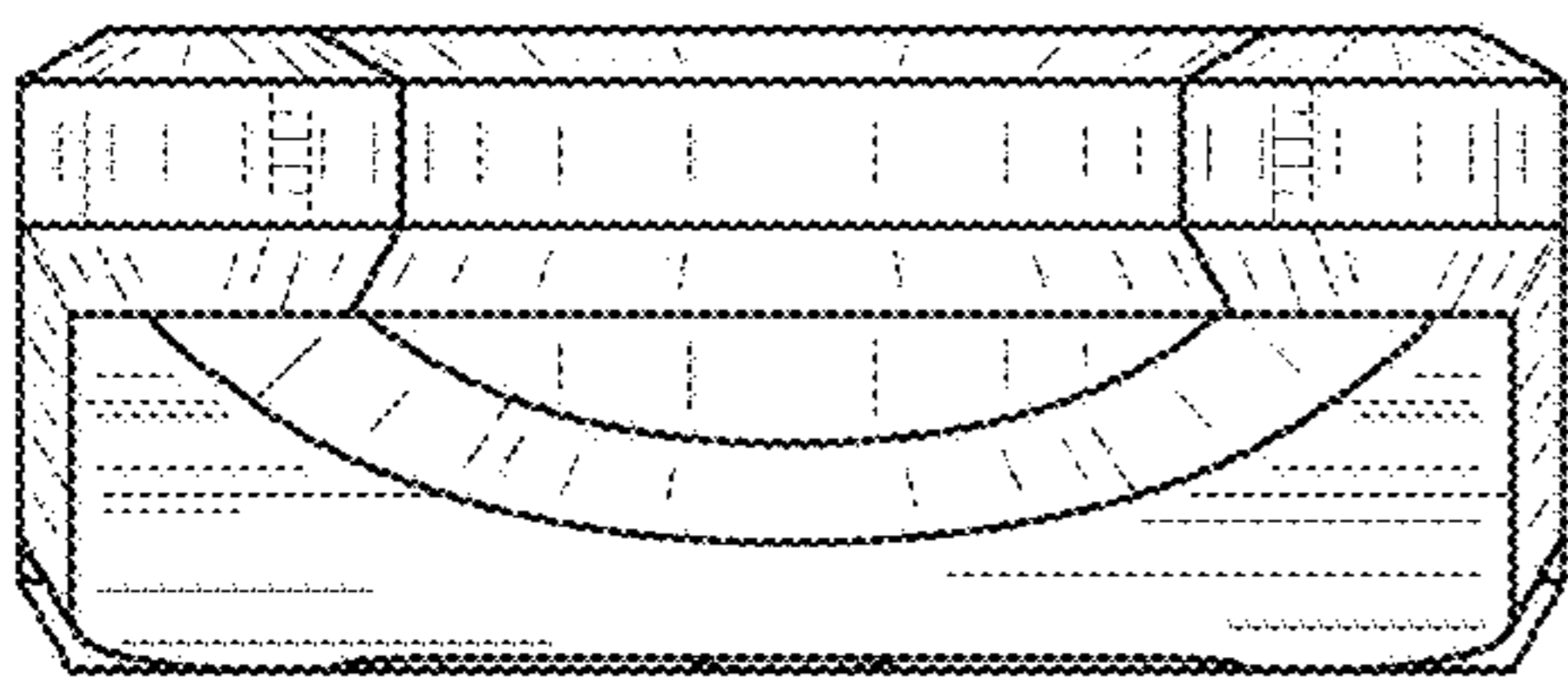


FIG. 7

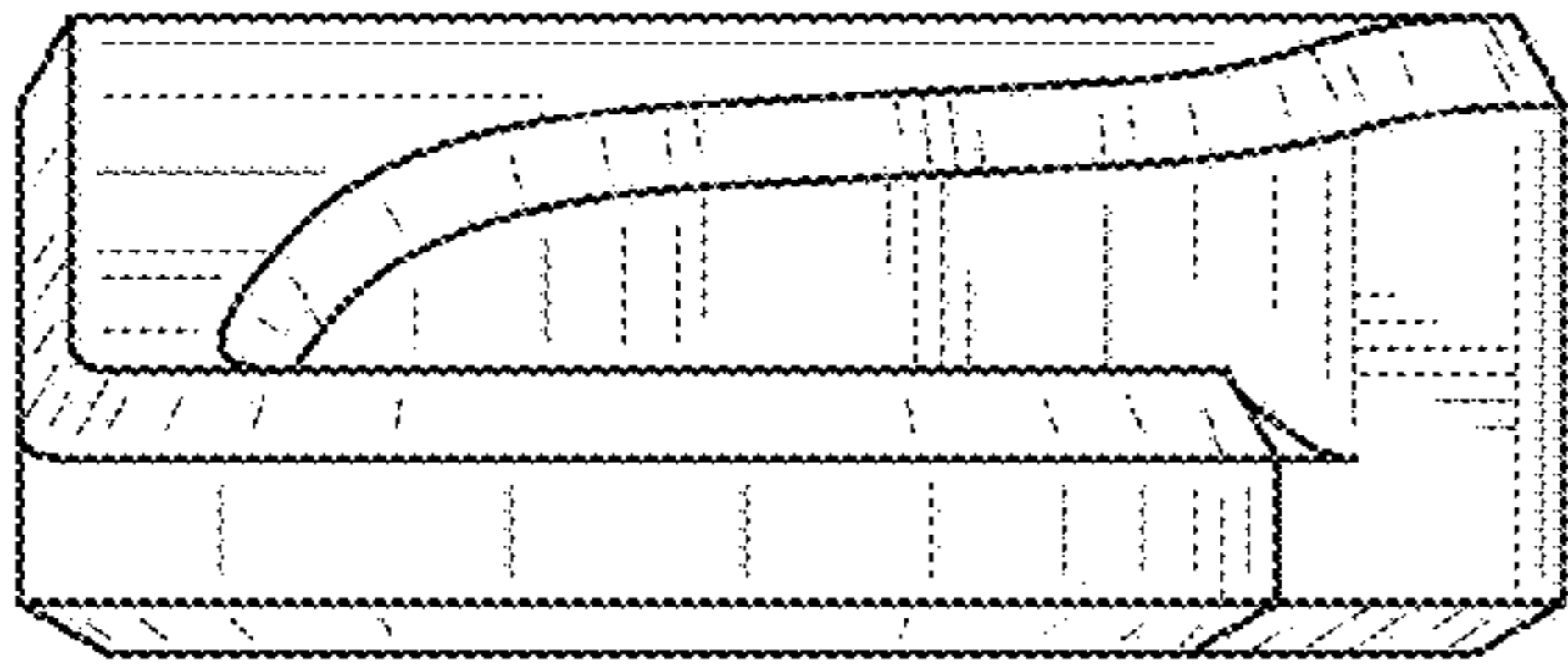


FIG. 8

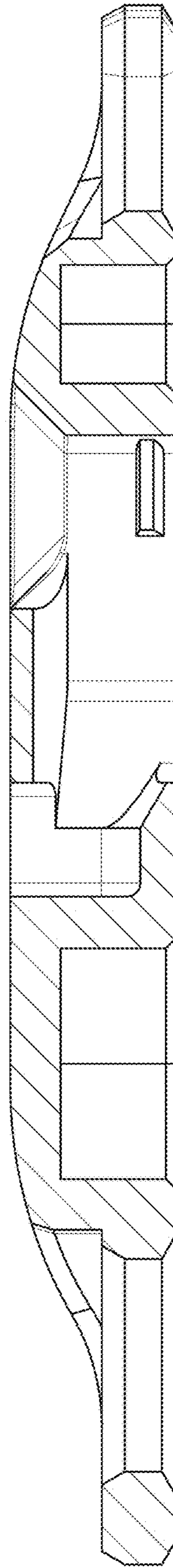


FIG. 9