



US00D900564S

(12) **United States Design Patent**
Katcher

(10) **Patent No.:** **US D900,564 S**

(45) **Date of Patent:** **** Nov. 3, 2020**

(54) **BOTTLE RACK**

(71) Applicant: **Rack Your Wine, LLC**, Needham, MA (US)

(72) Inventor: **Daniel I. Katcher**, Needham, MA (US)

(73) Assignee: **Rack Your Wine, LLC**, Needham, MA (US)

(**) Term: **15 Years**

(21) Appl. No.: **29/681,551**

(22) Filed: **Feb. 26, 2019**

(51) **LOC (12) Cl.** **06-04**

(52) **U.S. Cl.**

USPC **D7/701**

(58) **Field of Classification Search**

USPC D7/701-708, 387, 388; D9/455; D8/402, 354

CPC A47B 73/006; A47B 46/00; A47B 49/00; A47B 73/00; E05C 17/443; E05C 17/54

See application file for complete search history.

(56) **References Cited**

U.S. PATENT DOCUMENTS

4,270,662 A * 6/1981 Gonzalez A47B 73/006
211/186

4,422,555 A * 12/1983 Jacobs A47B 73/006
211/189

D318,805 S * 8/1991 Imeson D9/434
D329,963 S * 10/1992 Schneider D7/387
D421,370 S * 3/2000 Hints D7/701
D816,437 S * 5/2018 Kendall D7/701
2013/0008864 A1 * 1/2013 Davis A47B 73/006
211/74

* cited by examiner

Primary Examiner — Terry A Wallace

(74) *Attorney, Agent, or Firm* — Morse, Barnes-Brown & Pendleton, P.C.; Stanley F. Chavire, Esq.

(57) **CLAIM**

The ornamental design for the bottle rack, as shown and described.

DESCRIPTION

FIG. 1 is a front, left side perspective view of the bottle rack showing my new design.

FIG. 2 is a front, right side perspective view thereof.

FIG. 3 is a left side view thereof.

FIG. 4 is a right side view thereof.

FIG. 5 is a top plan view thereof.

FIG. 6 is a bottom plan view thereof.

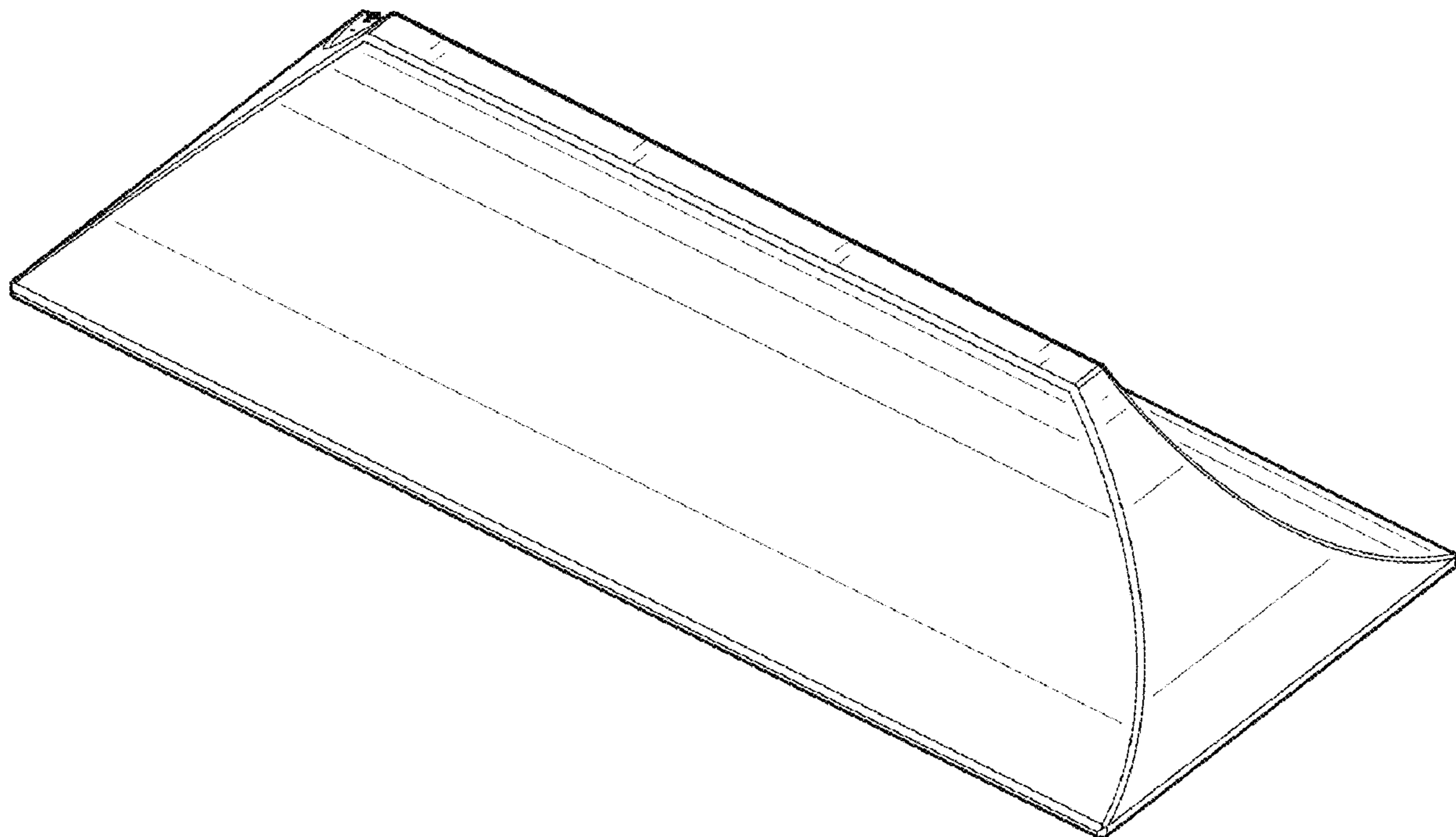
FIG. 7 is a front view thereof.

FIG. 8 is a rear view thereof; and,

FIG. 9 is a front, right side perspective view thereof supporting a bottle.

The broken line disclosure is for illustrative purposes only and forms no part of the claimed design.

1 Claim, 9 Drawing Sheets



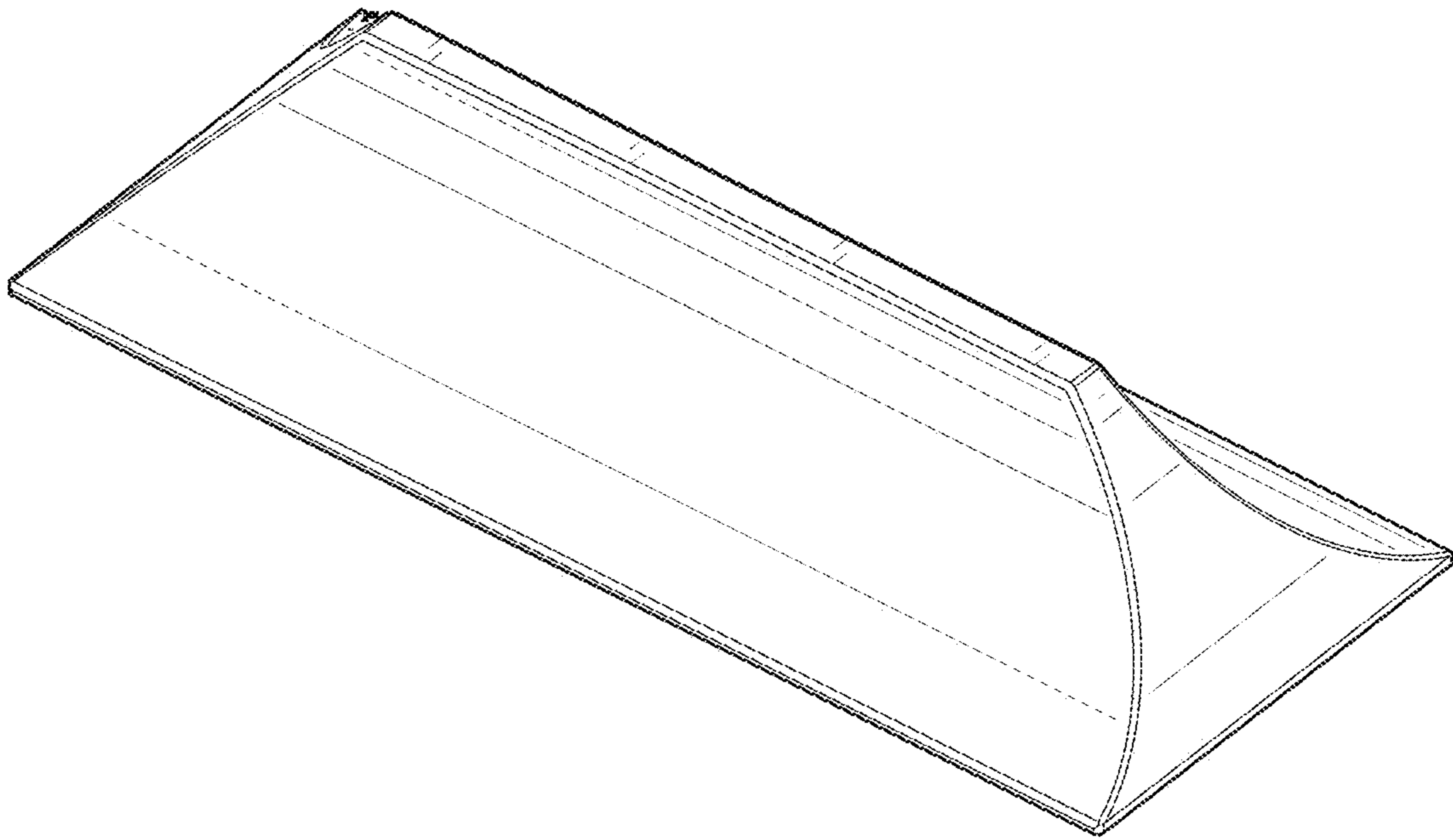


FIG. 1

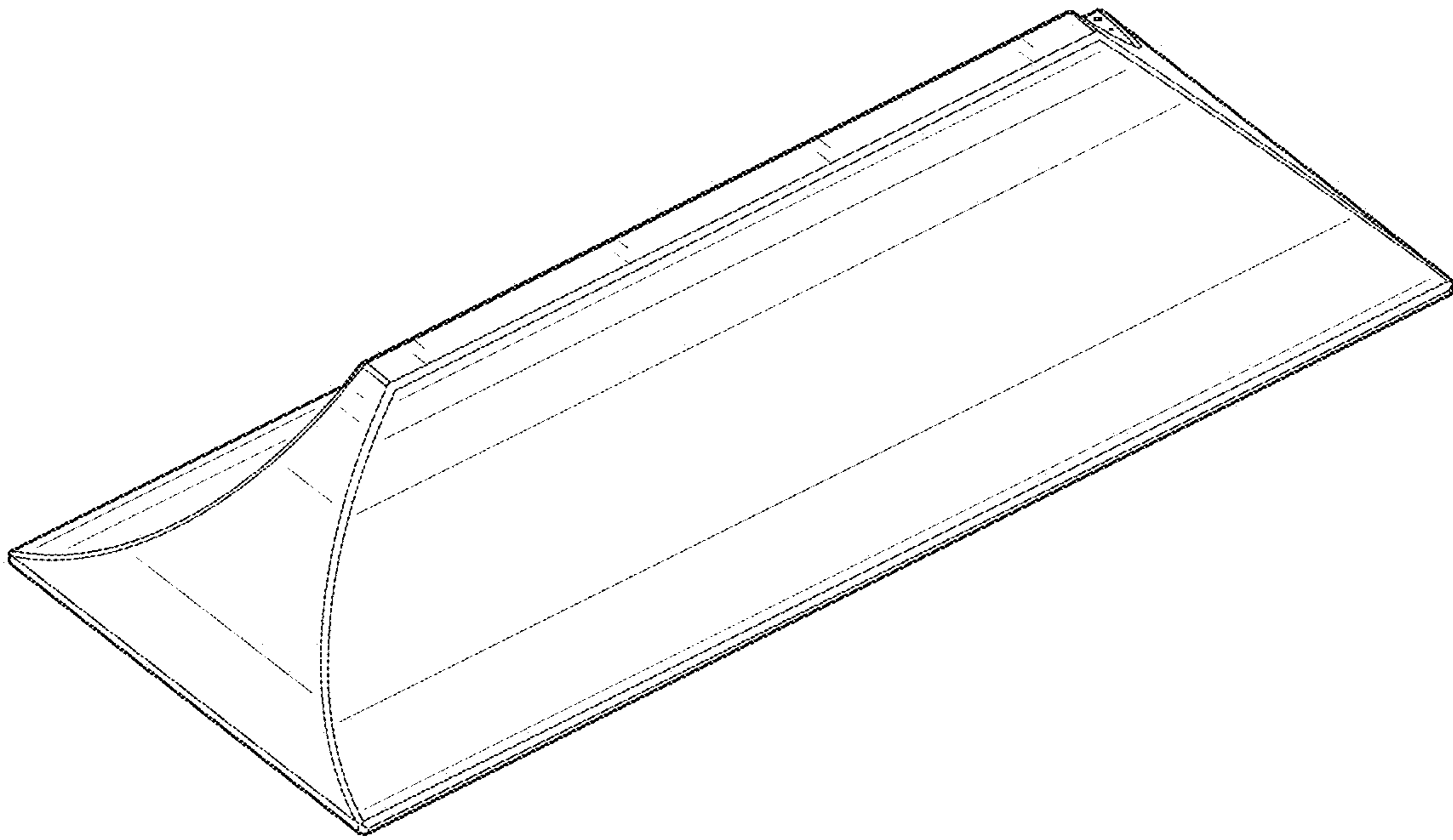


FIG. 2

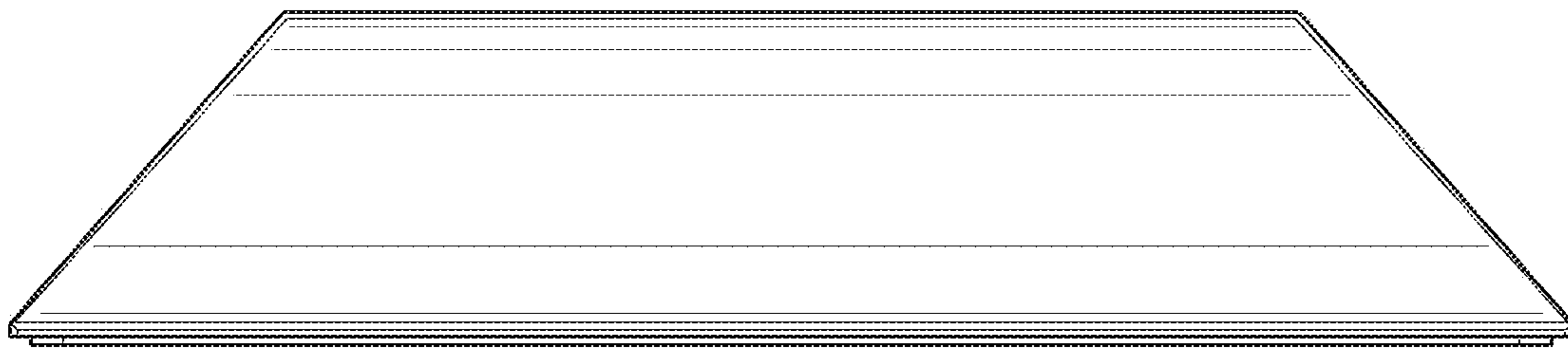


FIG. 3

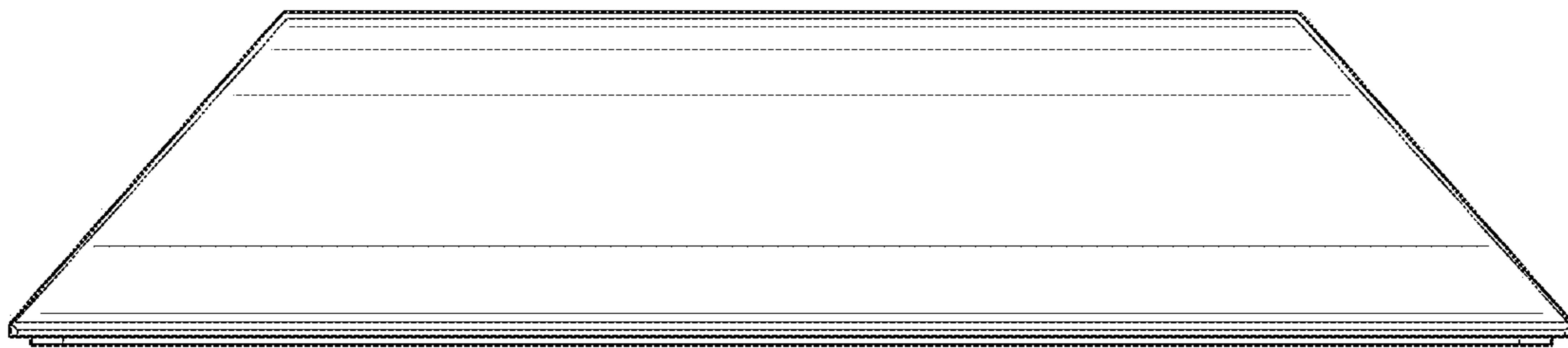


FIG. 4

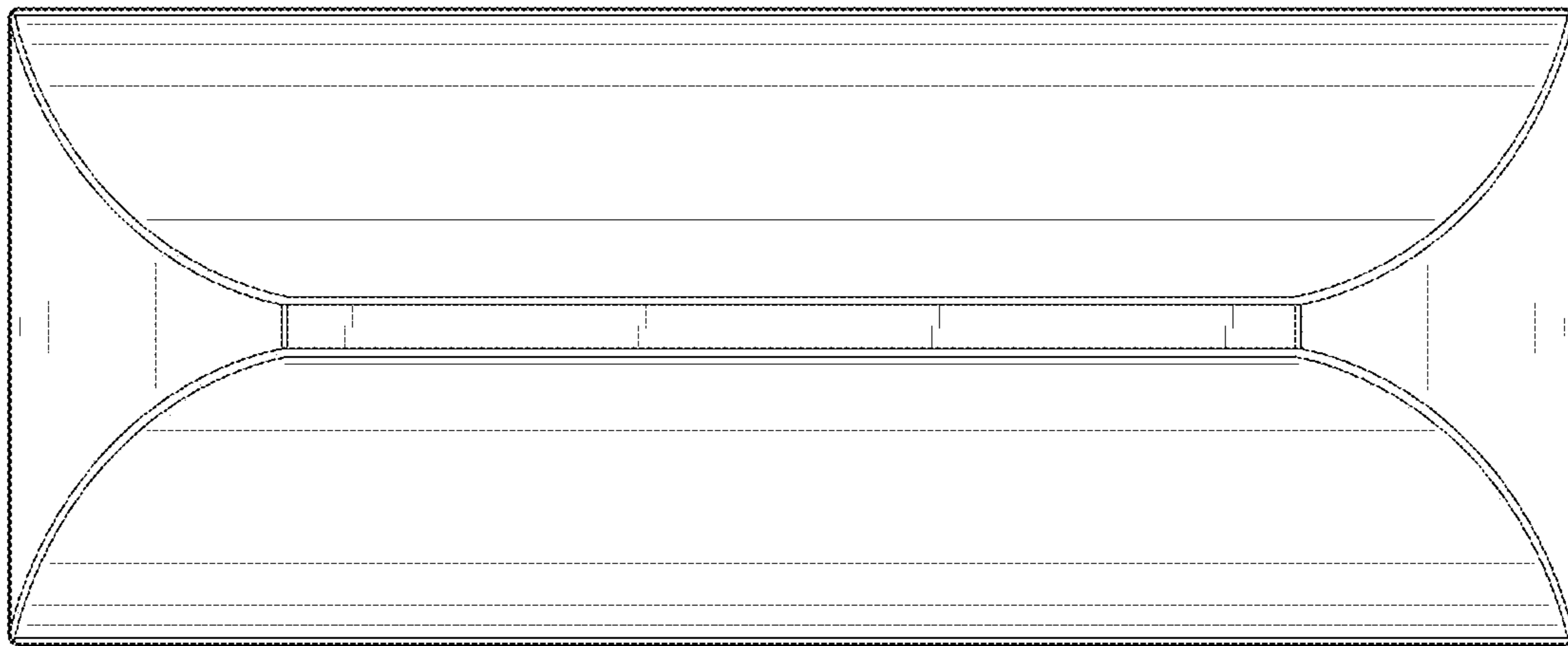


FIG. 5

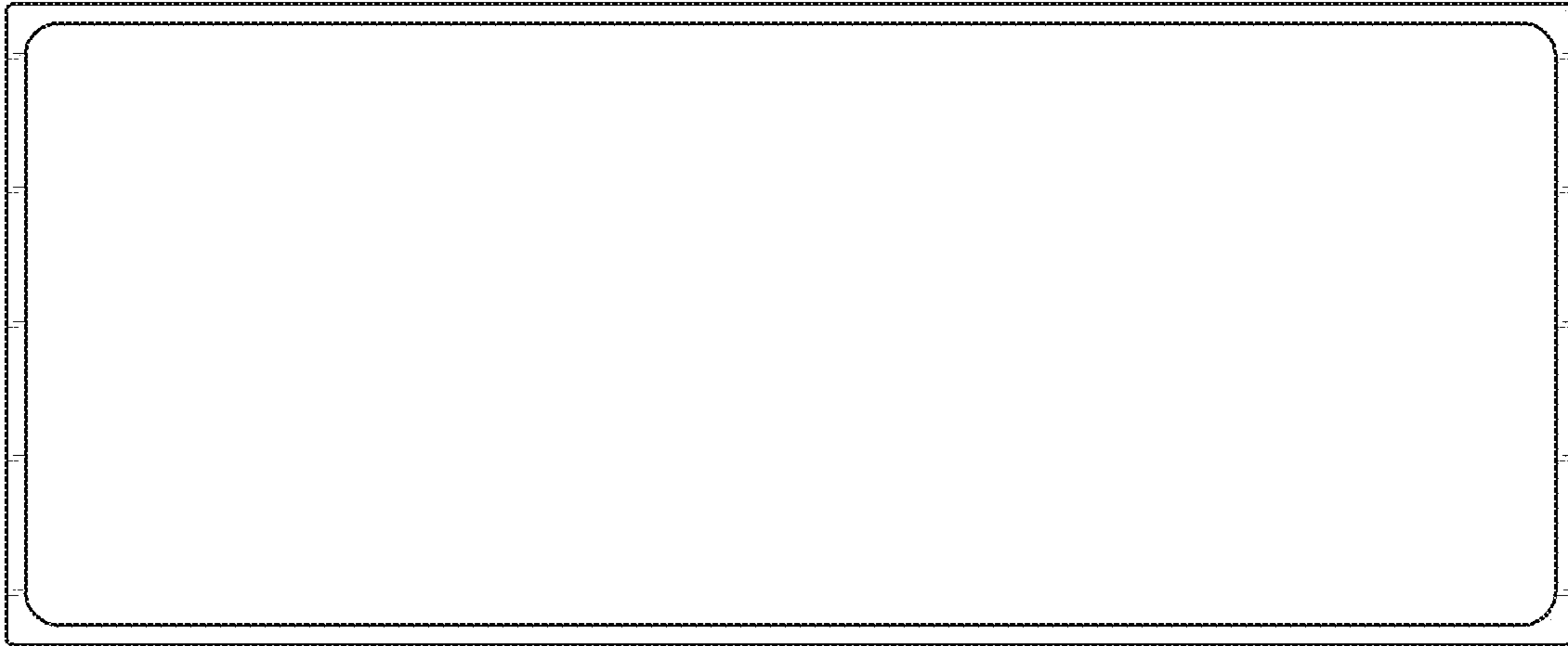


FIG. 6

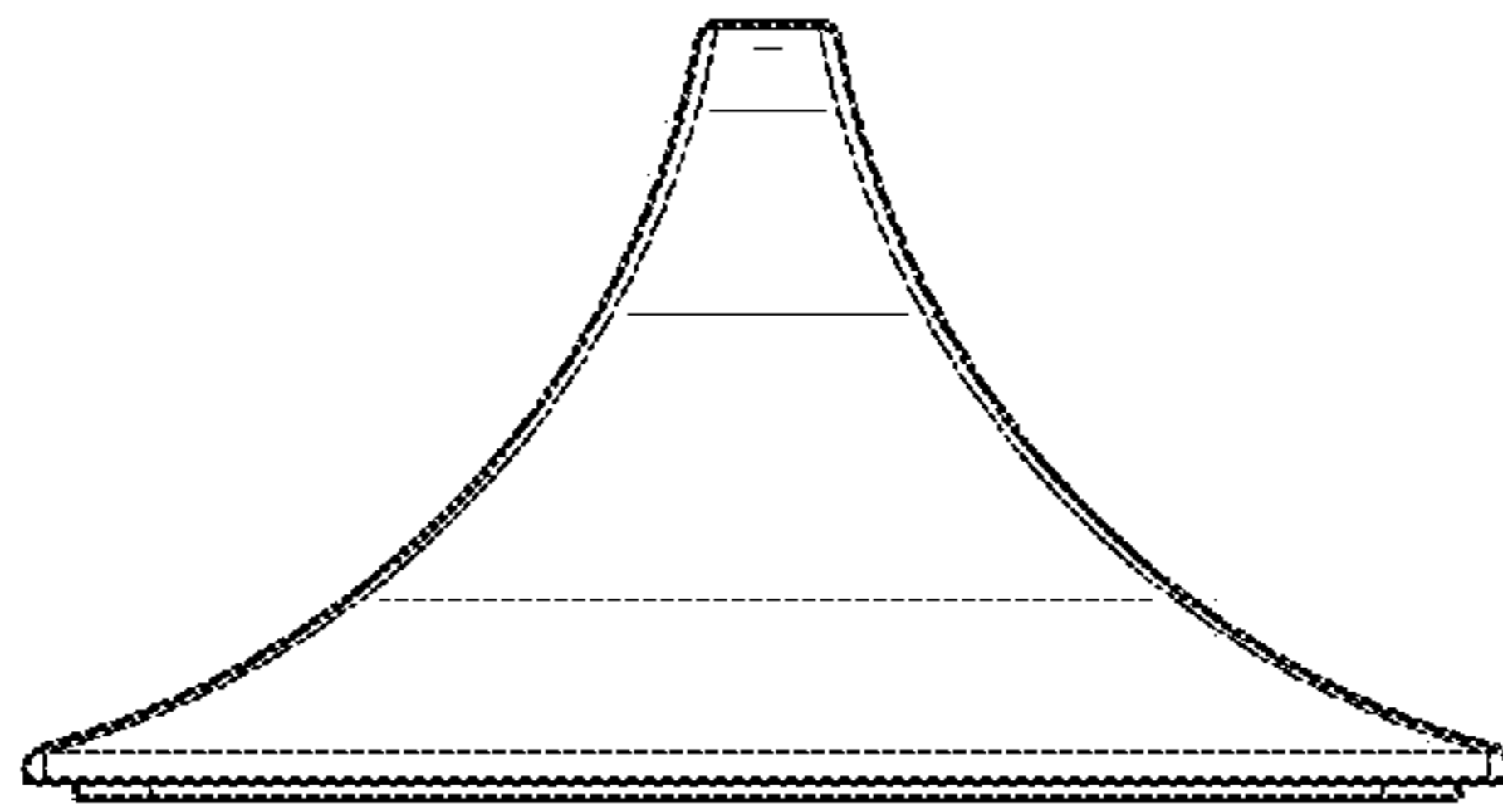


FIG. 7

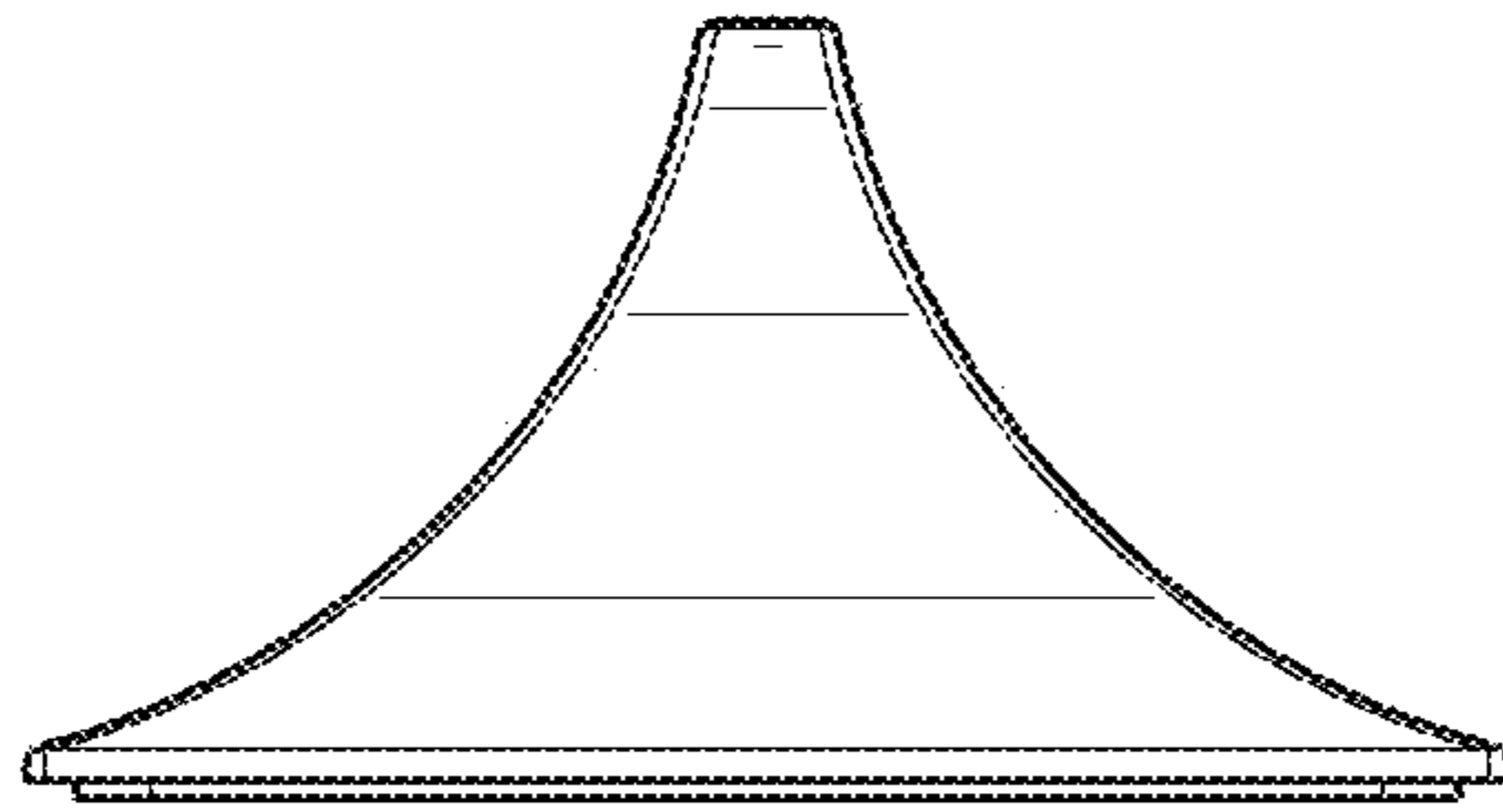


FIG. 8

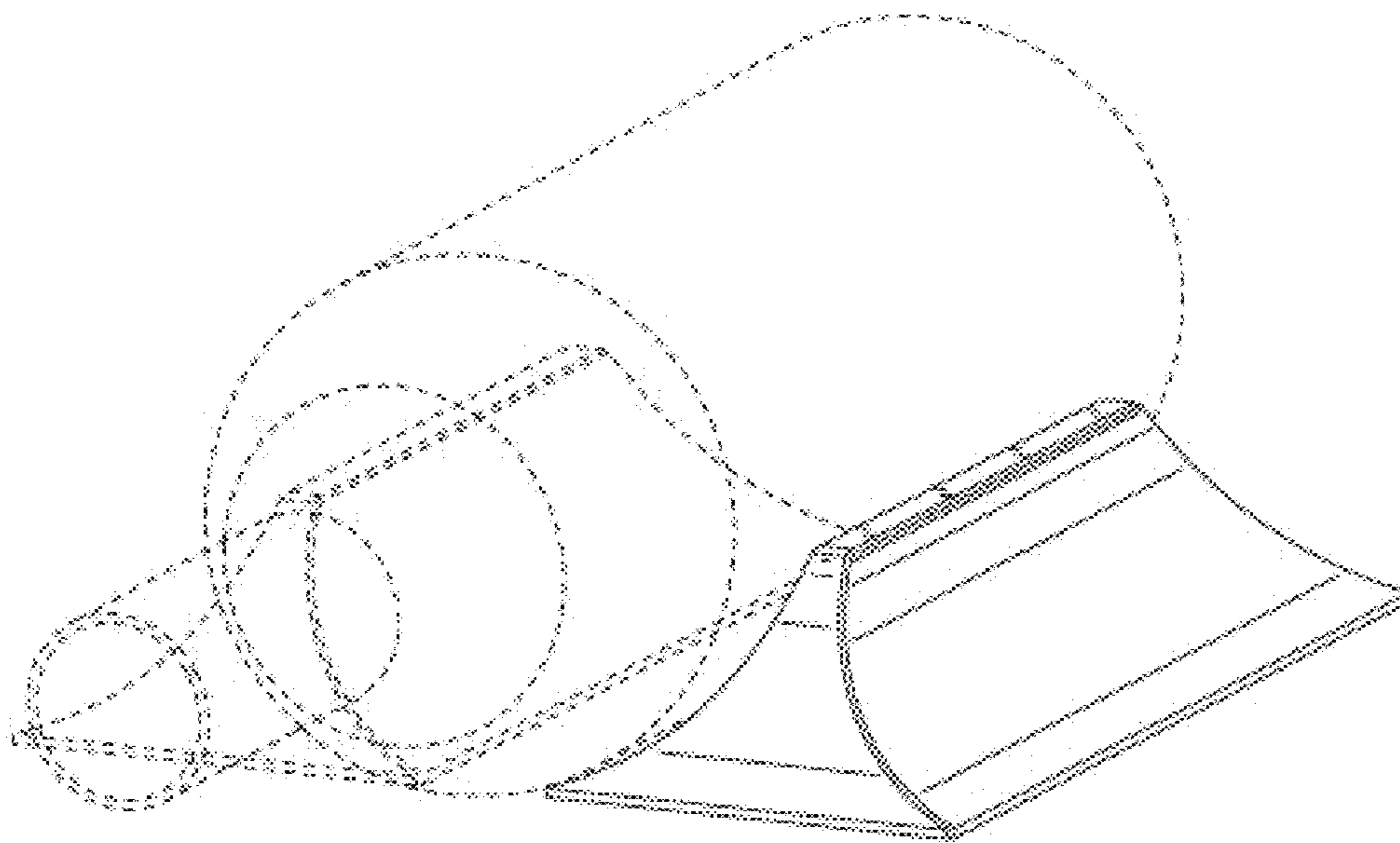


FIG. 9