



US00D900555S

(12) **United States Design Patent**
Chui

(10) **Patent No.:** **US D900,555 S**

(45) **Date of Patent:** **** Nov. 3, 2020**

(54) **BOTTLE CONTAINER**

(71) Applicant: **Chiu Wai Chui**, Hong Kong (CN)

(72) Inventor: **Chiu Wai Chui**, Hong Kong (CN)

(**) Term: **15 Years**

(21) Appl. No.: **29/691,000**

(22) Filed: **May 13, 2019**

(51) **LOC (12) Cl.** **09-03**

(52) **U.S. Cl.**
USPC **D7/619.1**

(58) **Field of Classification Search**
USPC D7/500, 584, 590, 600.1, 600.2, 602,
D7/600.4, 601, 605, 607, 608, 619.1, 620,
D7/622, 624.1, 624.2, 624.3, 701, 704;
D3/306; D6/574, 571, 705, 677.1
CPC . A47F 5/01; A47F 5/02; A47F 7/0064; A47G
23/0216; A47G 23/0225; A47G 23/03;
A47G 19/02; A47G 19/025; B65D 1/24;
B65D 1/36; A45C 11/20

See application file for complete search history.

(56) **References Cited**

U.S. PATENT DOCUMENTS

D97,131 S	*	10/1935	Hemp	D7/608
D111,029 S	*	8/1938	Morgan	D7/608
D279,346 S	*	6/1985	Ruxton	D7/321
D539,607 S	*	4/2007	Lapsker	D7/510
D604,561 S	*	11/2009	Chisholm	D7/510
D614,918 S	*	5/2010	Chisholm	D7/510
D616,743 S	*	6/2010	Cresswell	D9/443
D628,486 S	*	12/2010	Lane	D7/510

D632,524 S	*	2/2011	Rosbach	D7/510
D633,338 S	*	3/2011	Rosbach	D7/511
D693,170 S	*	11/2013	Rosbach	D7/392.1
D702,506 S	*	4/2014	Mettler	D7/608
9,505,527 B1	*	11/2016	Campbell	A47G 19/2205
D799,898 S	*	10/2017	Yao	D7/510
D866,270 S	*	11/2019	Campbell	B65D 43/0225
					D7/605
2011/0204048 A1	*	8/2011	Carino	B65D 21/083
					220/4.03
2015/0021346 A1	*	1/2015	Cappuccio	A45F 5/00
					220/735
2018/0194537 A1	*	7/2018	Chan	B65D 1/0215

* cited by examiner

Primary Examiner — Karen S Acker

Assistant Examiner — Steven B Reinholdt, Jr.

(57) **CLAIM**

The ornamental design for a bottle container, as shown and described.

DESCRIPTION

FIG. 1 is a front elevational view of a bottle container;
FIG. 2 is a left side elevational view thereof;
FIG. 3 is a rear elevational view thereof;
FIG. 4 is a right side elevational view thereof;
FIG. 5 is a bottom plan view thereof;
FIG. 6 is a top plan view thereof;
FIG. 7 is a rear top perspective view thereof;
FIG. 8 is a front top perspective view thereof;
FIG. 9 is a front bottom perspective view thereof; and,
FIG. 10 is a rear bottom perspective view thereof.

1 Claim, 10 Drawing Sheets



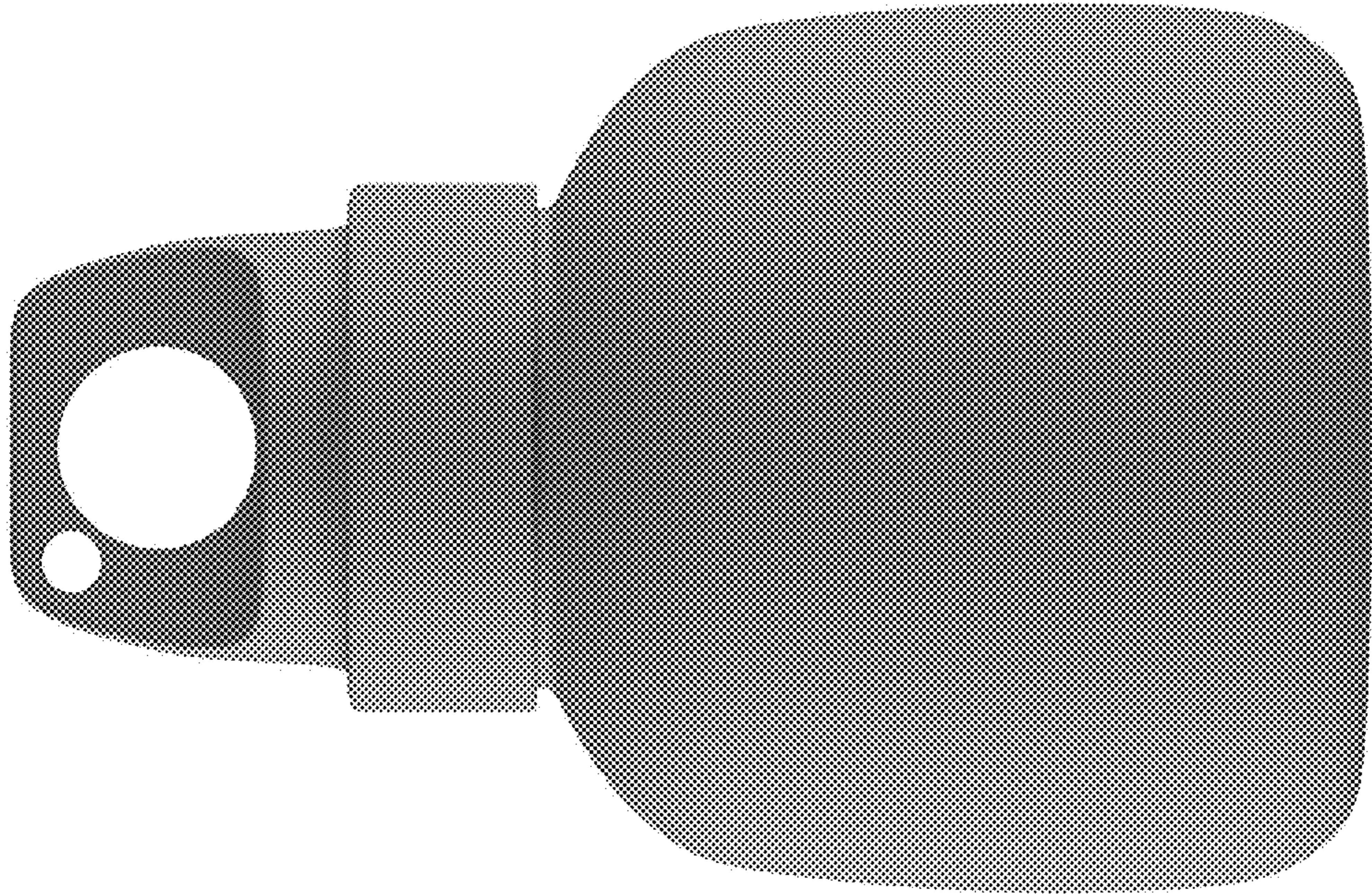


FIG. 1

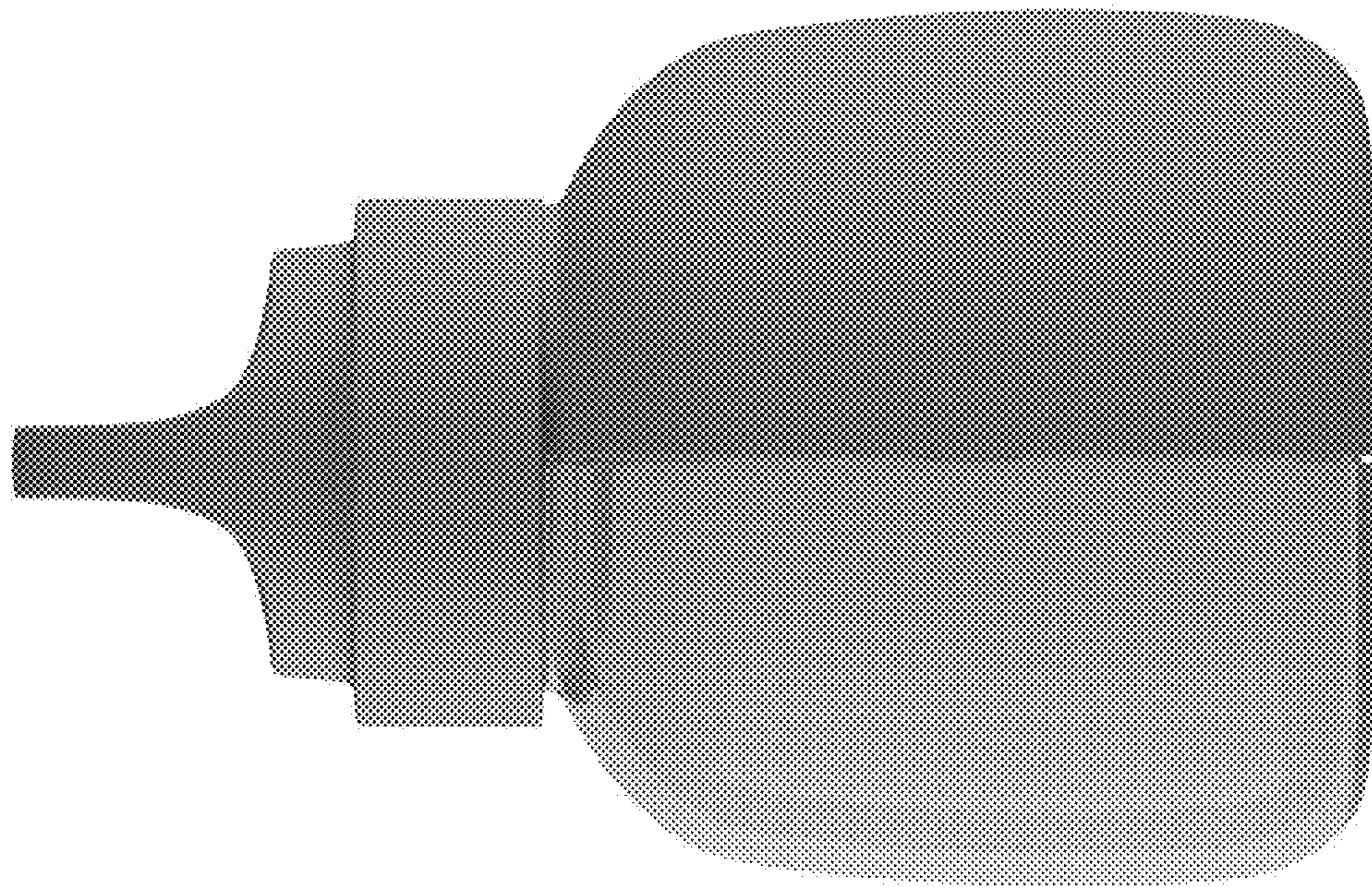


FIG. 2

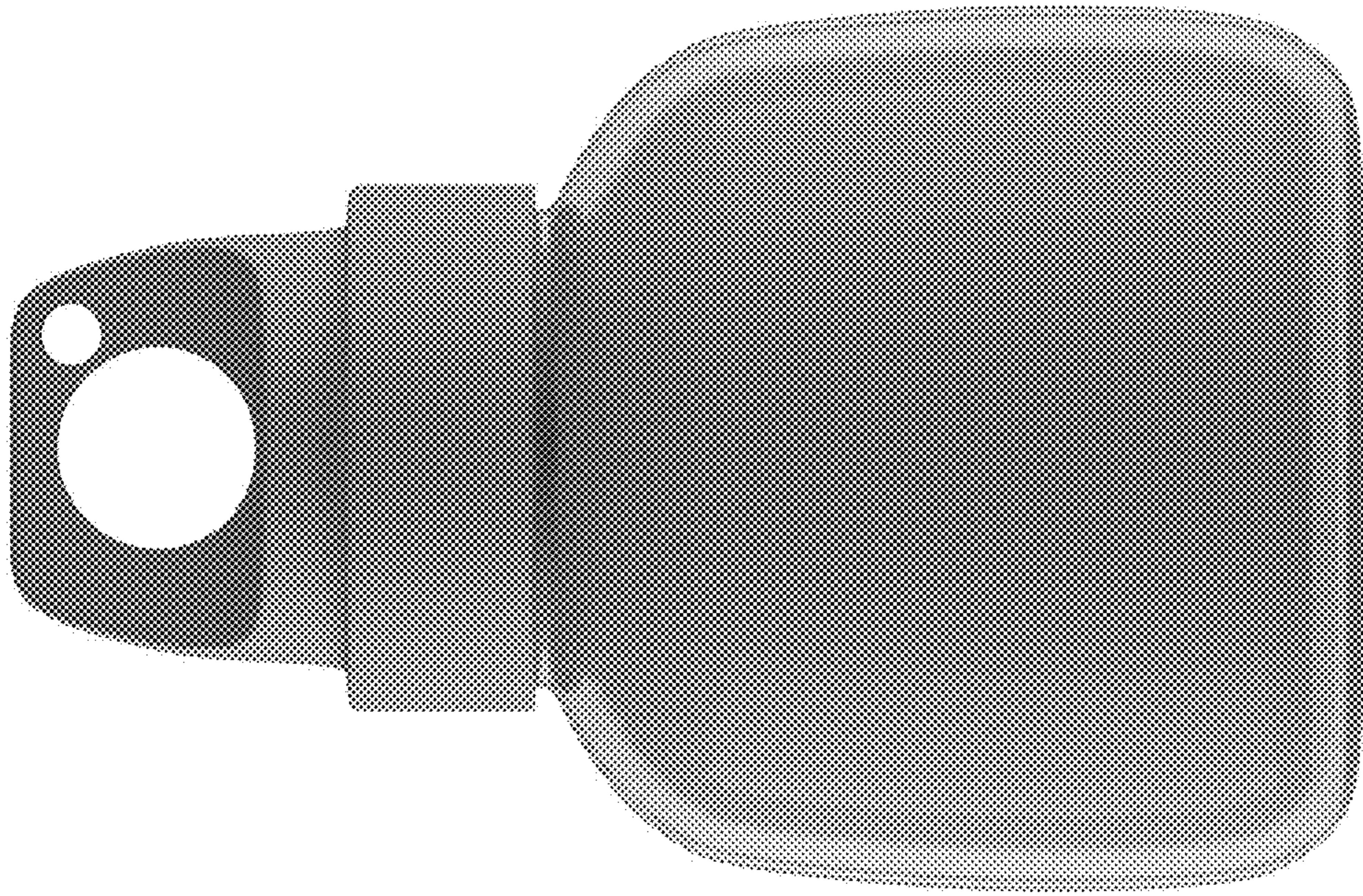


FIG. 3

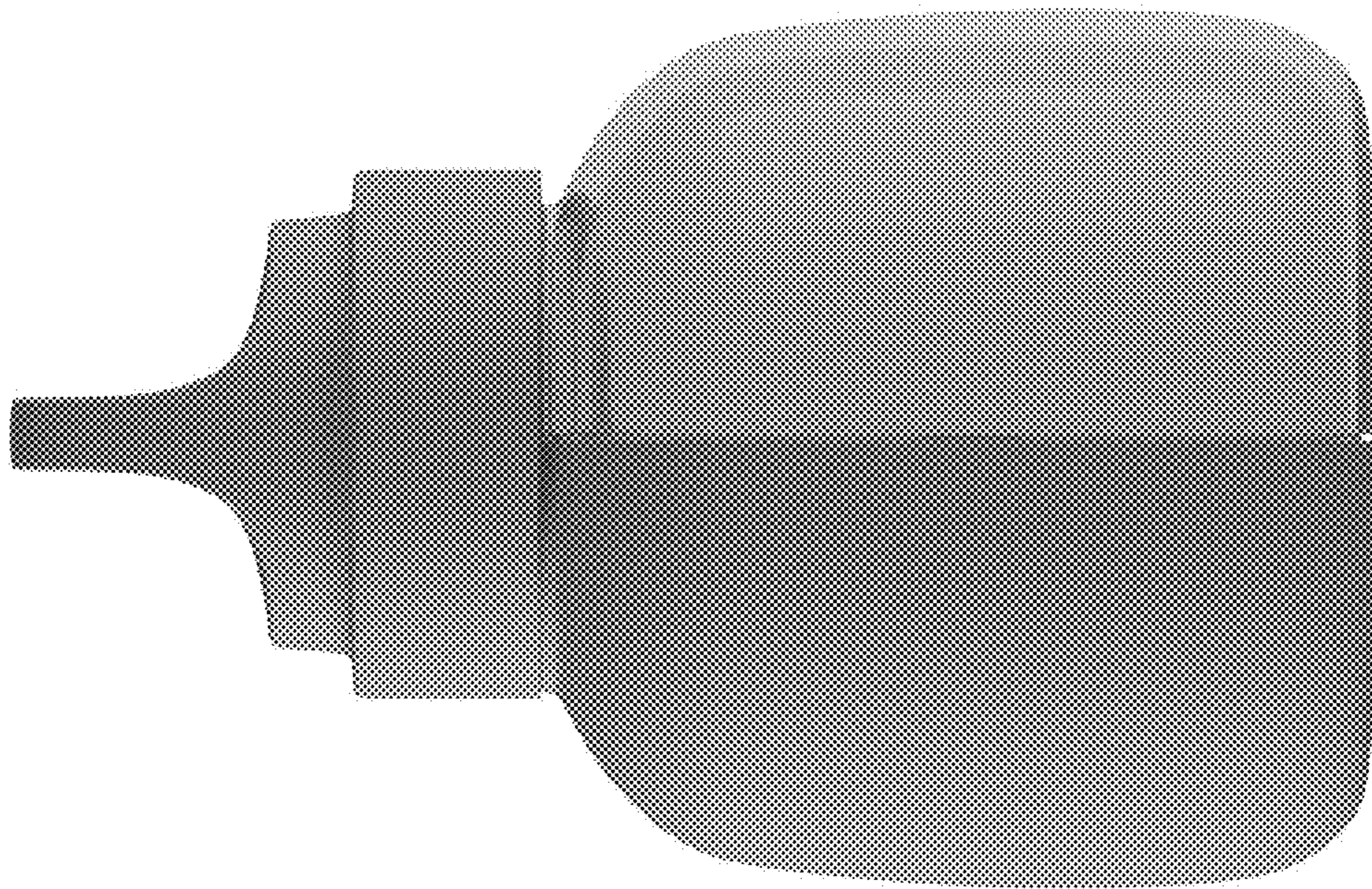


FIG. 4

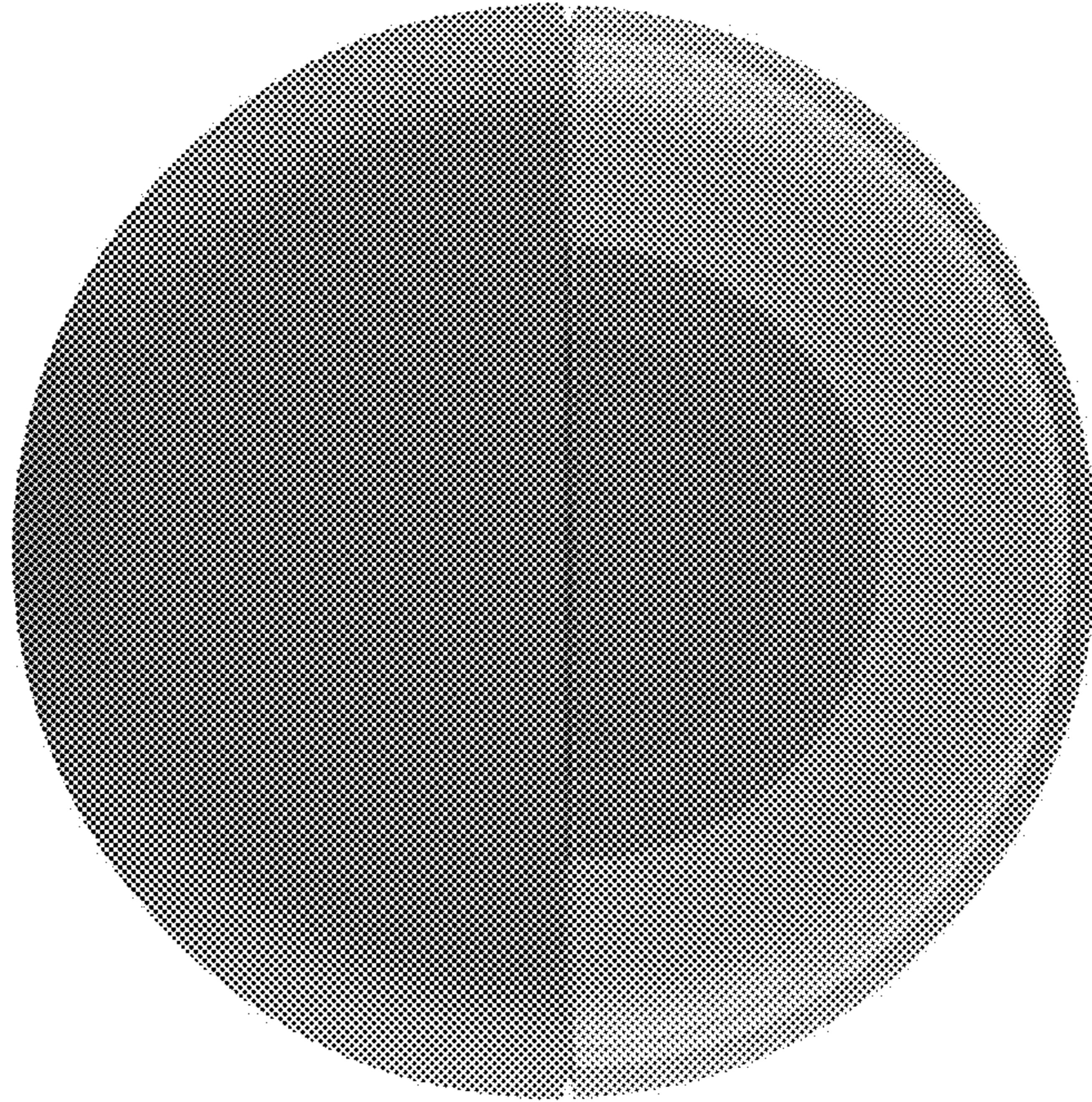


FIG. 5

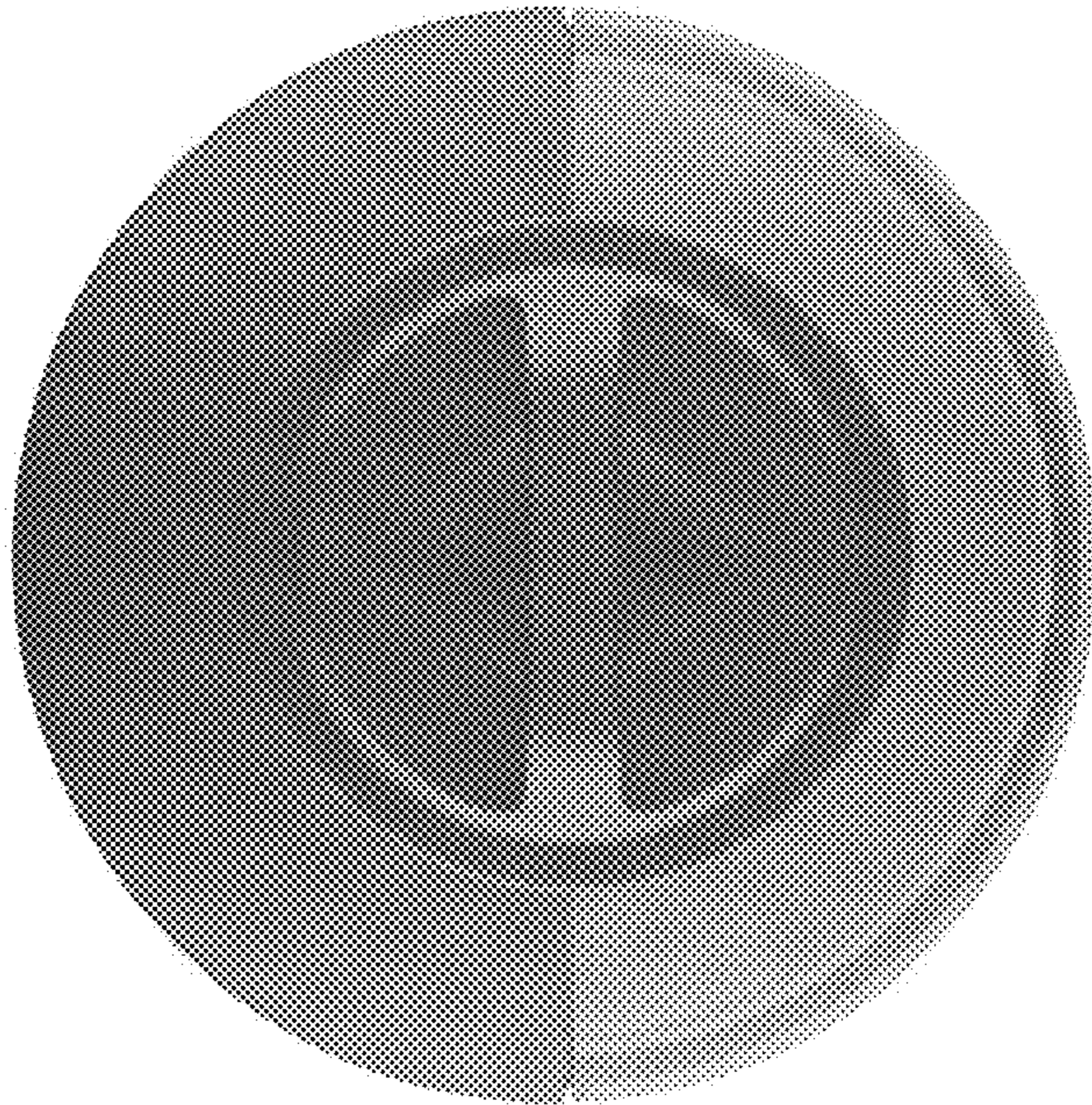


FIG. 6

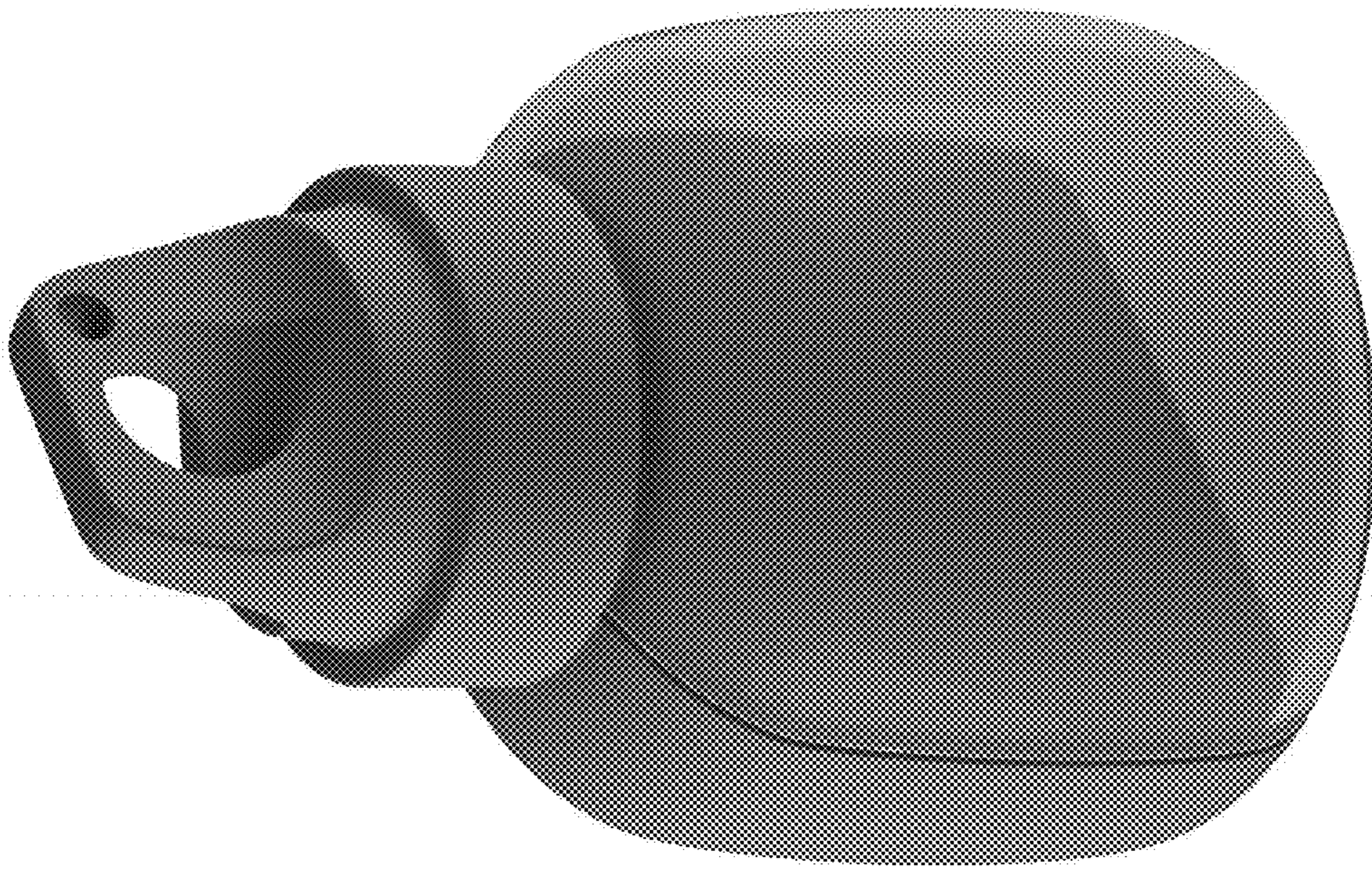


FIG. 7

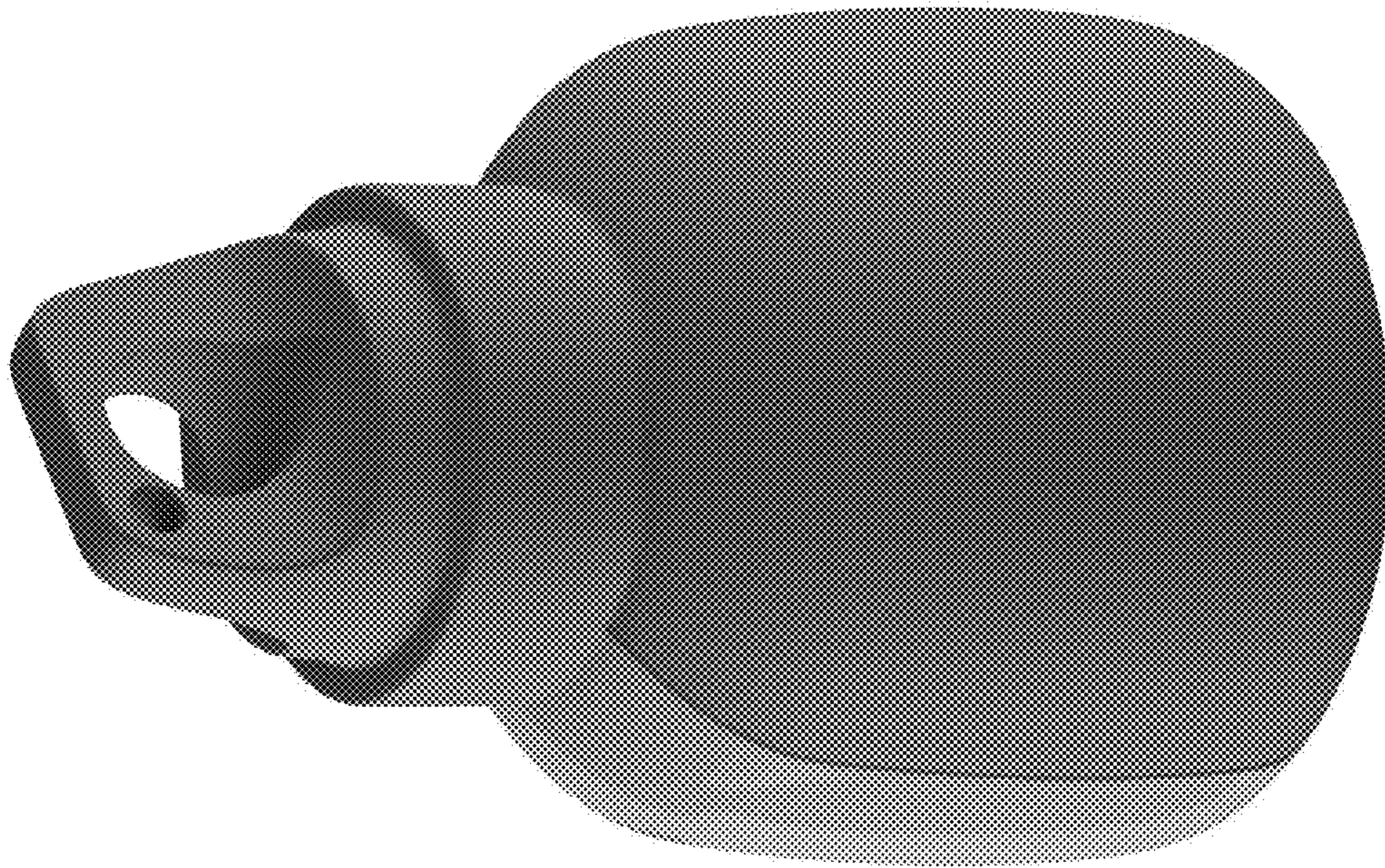


FIG. 8

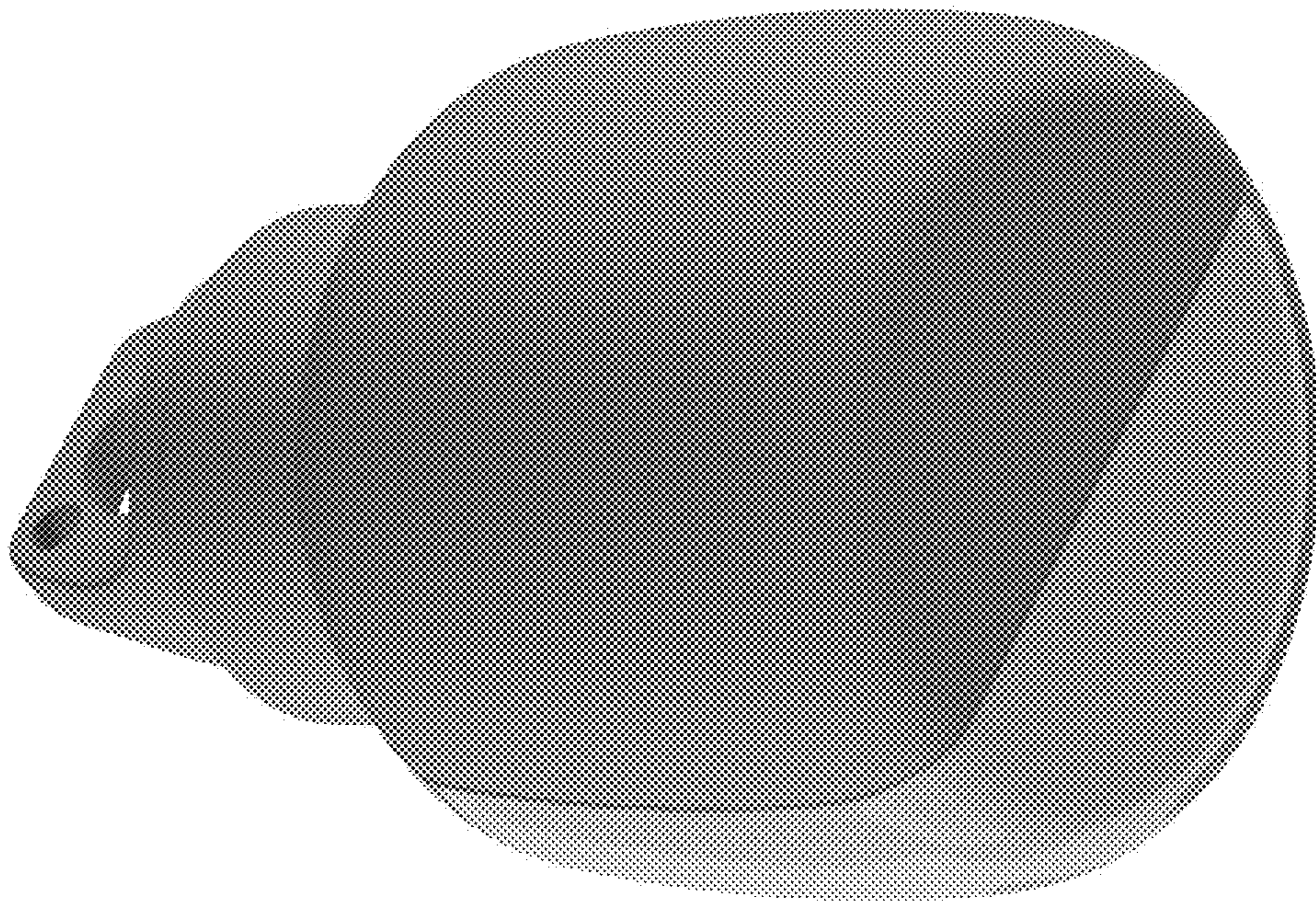


FIG. 9

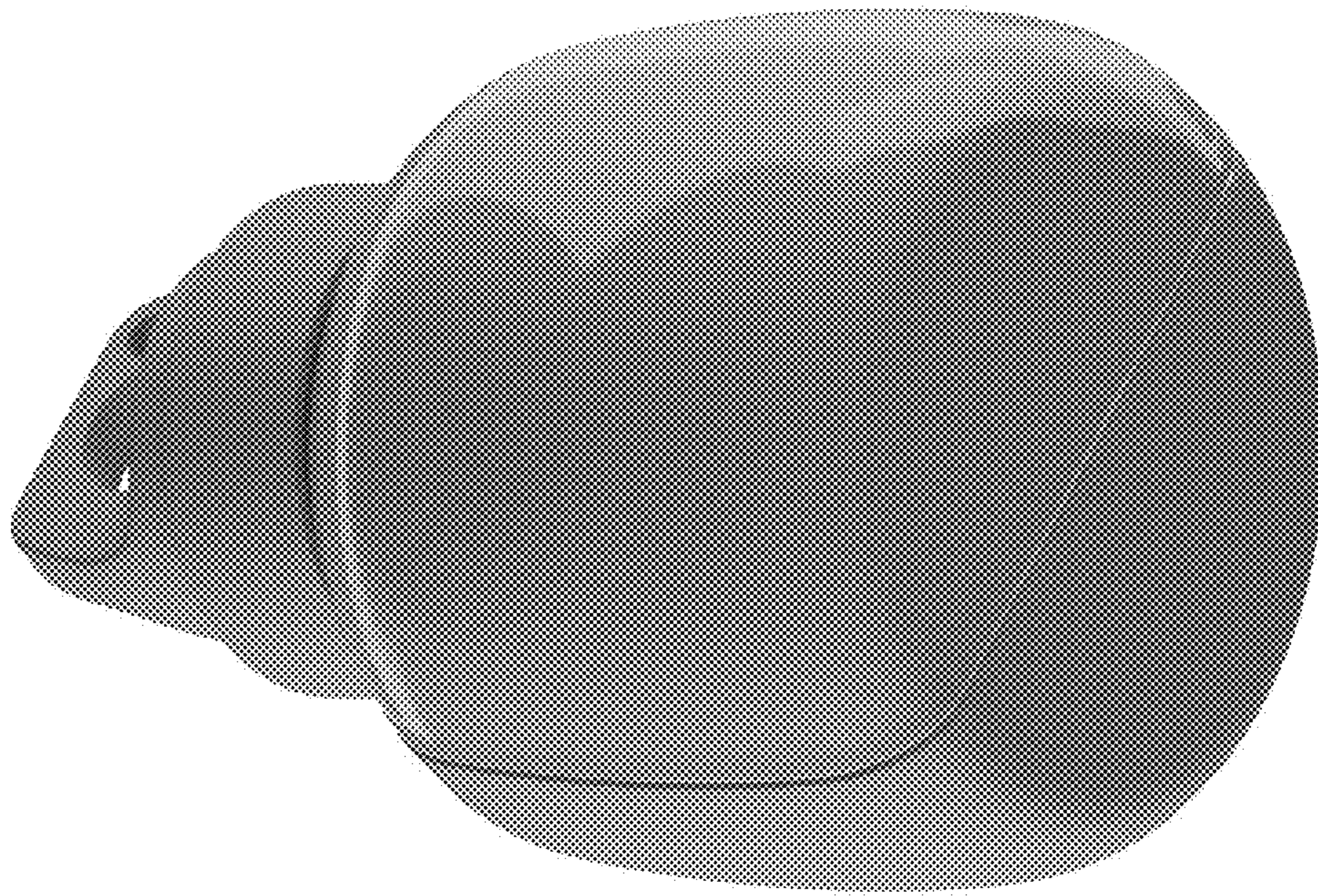


FIG. 10