



US00D900553S

(12) **United States Design Patent** (10) **Patent No.:** **US D900,553 S**  
**Wilson** (45) **Date of Patent:** **\*\* Nov. 3, 2020**

(54) **BOWL**  
(71) Applicant: **Spectrum Diversified Designs, LLC**,  
Streetsboro, OH (US)  
(72) Inventor: **Courtney Wilson**, Chardon, OH (US)  
(73) Assignee: **SPECTRUM DIVERSIFIED**  
**DESIGNS, LLC**, Streetsboro, OH (US)  
(\*\*) Term: **15 Years**  
(21) Appl. No.: **29/703,248**

D616,253 S \* 5/2010 Goodman ..... D7/601  
D620,711 S \* 8/2010 Hertaus ..... D3/306  
D646,933 S \* 10/2011 Goodman ..... D7/601  
D670,971 S \* 11/2012 Goodman ..... D7/601  
D702,327 S \* 4/2014 Dannrup ..... D23/261  
D748,437 S \* 2/2016 Goodman ..... D7/584  
D751,186 S \* 3/2016 Romzek ..... D23/410  
D784,771 S \* 4/2017 Goodman ..... D7/584  
D816,420 S \* 5/2018 Goodman ..... D7/601  
D862,990 S \* 10/2019 Goodman ..... D7/602  
D865,456 S \* 11/2019 Dittrich ..... D7/602  
D866,183 S \* 11/2019 Romzek ..... D3/306  
D878,759 S \* 3/2020 Hertaus ..... D3/306  
D887,220 S \* 6/2020 Gee, II ..... D7/601  
D887,221 S \* 6/2020 Gee, II ..... D7/601

(Continued)

(22) Filed: **Aug. 26, 2019**  
(51) **LOC (12) Cl.** ..... **07-01**  
(52) **U.S. Cl.**  
USPC ..... **D7/584**  
(58) **Field of Classification Search**  
USPC ..... D7/500, 584, 586, 587, 565, 560, 523,  
D7/624.2, 602; D30/130; D19/104  
CPC ..... A47G 19/2205; A47G 2019/122; A47G  
19/025; A47G 19/02  
See application file for complete search history.

**OTHER PUBLICATIONS**

Wire Cage Industrial Pendant Light, Temple & Webster website,  
<https://www.templeandwebster.com.au/1-Light-Foyer-Pendant-IVD255-IVD256-IVOR1125.html>, dated Aug. 14, 2019, 1 page.

*Primary Examiner* — Cynthia R Underwood  
(74) *Attorney, Agent, or Firm* — Tucker Ellis LLP

(56) **References Cited**

**U.S. PATENT DOCUMENTS**

72,770 A \* 12/1867 Woods et al. .... A47F 7/0064  
211/85.31  
2,732,096 A \* 1/1956 Siciliano ..... B65D 25/32  
220/769  
4,250,664 A \* 2/1981 Remke ..... A01G 23/04  
47/76  
D274,880 S \* 7/1984 Bentson ..... D6/708.16  
D339,266 S \* 9/1993 Lockett ..... D7/323  
6,352,269 B1 \* 3/2002 Chinigo ..... A63B 47/00  
280/47.17  
D462,422 S \* 9/2002 Conner ..... D23/261  
D567,030 S \* 4/2008 Goodman ..... D3/306  
D569,691 S \* 5/2008 Goodman ..... D7/601  
D578,762 S \* 10/2008 Smith ..... D6/306

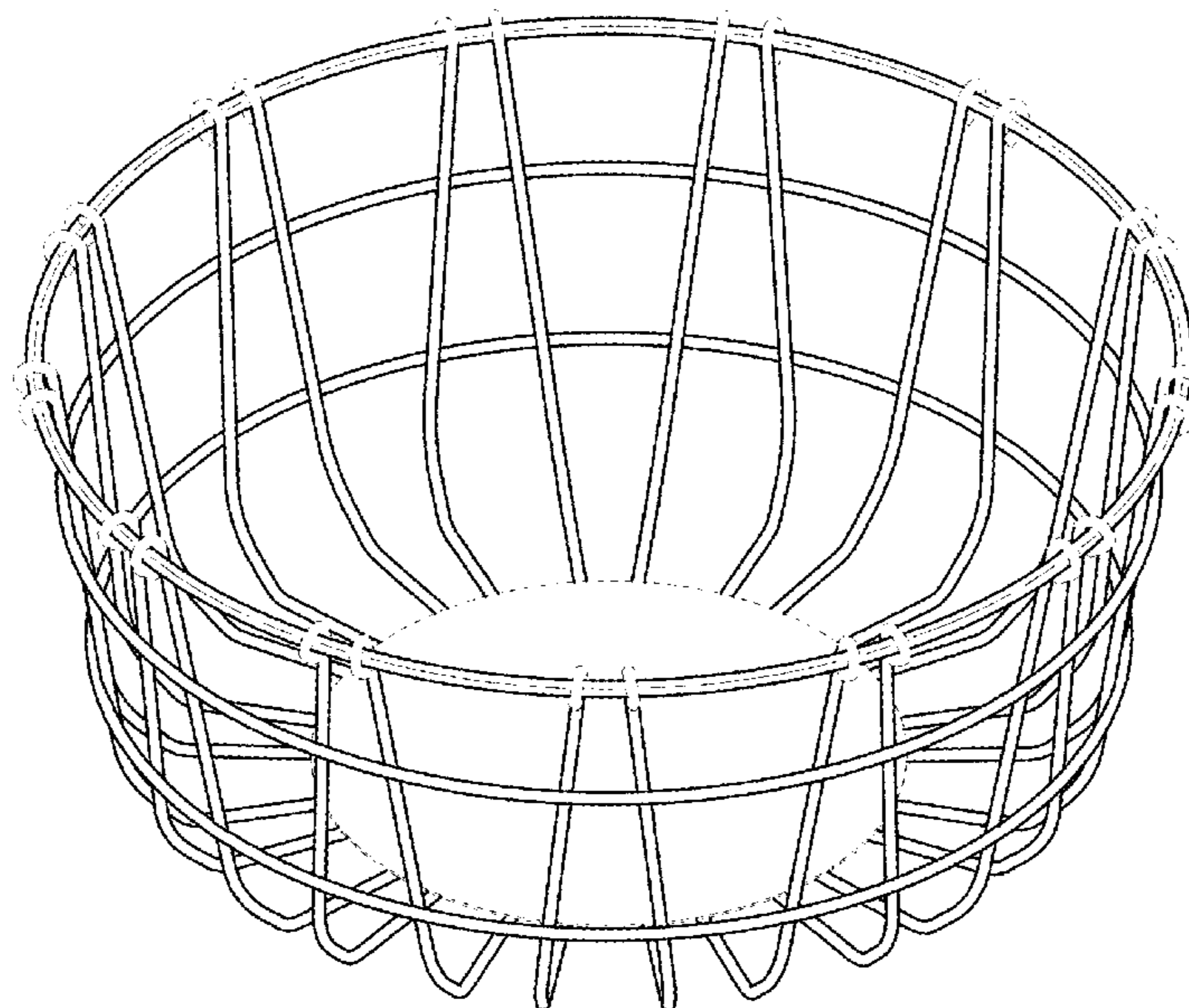
(57) **CLAIM**

The ornamental design for a bowl, as shown and described.

**DESCRIPTION**

FIG. 1 is a perspective view of a bowl showing my new design.  
FIG. 2 is a front view thereof.  
FIG. 3 is a rear view thereof.  
FIG. 4 is a right side view thereof.  
FIG. 5 is a left side view thereof.  
FIG. 6 is a top view thereof; and,  
FIG. 7 is a bottom view thereof.  
The broken lines show portions of the design that form no part of the claimed design.

**1 Claim, 5 Drawing Sheets**



(56)

**References Cited**

U.S. PATENT DOCUMENTS

D889,127 S \* 7/2020 Gee, II ..... D3/306  
D894,690 S \* 9/2020 Gee, II ..... D7/601

\* cited by examiner

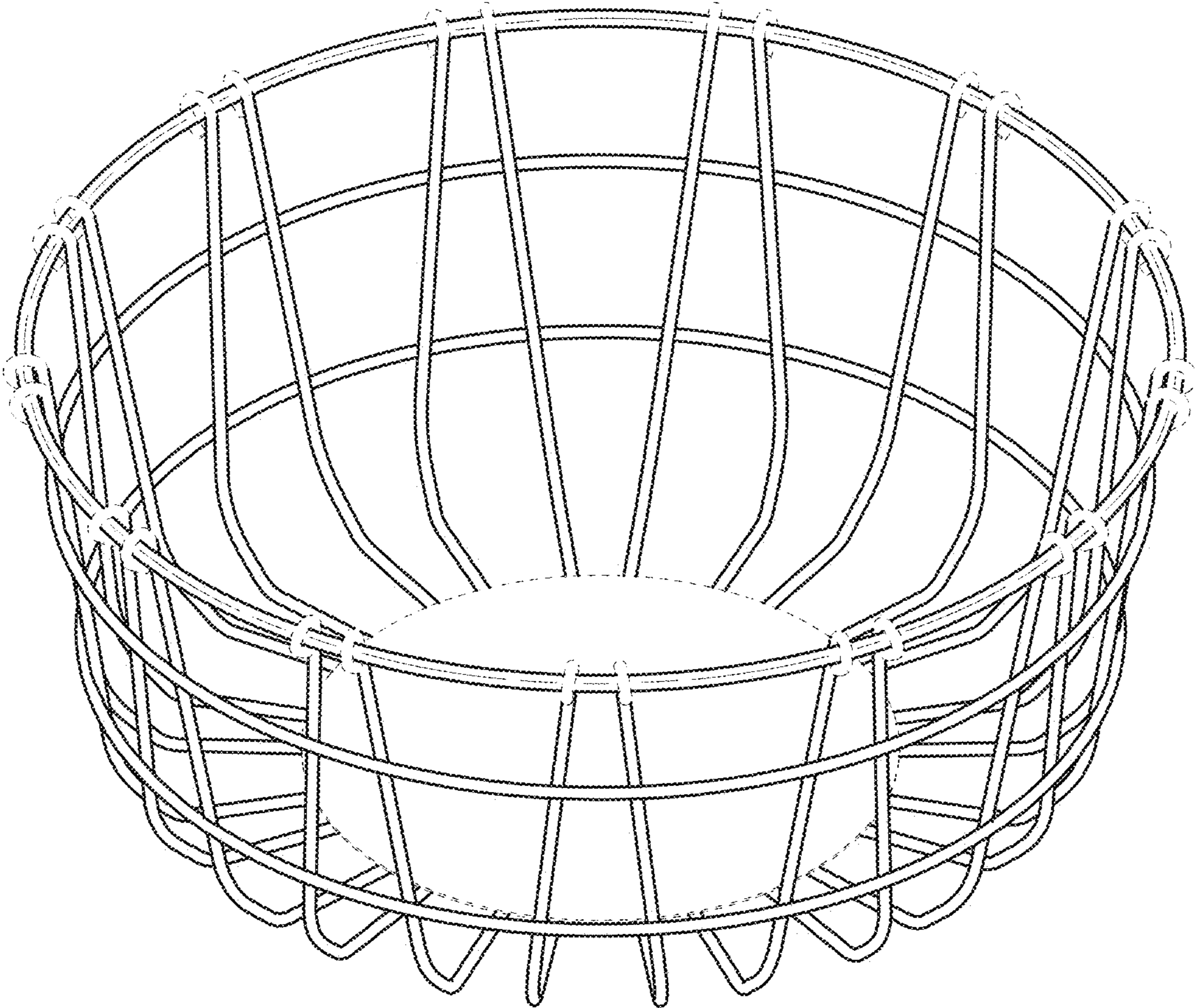


FIG. 1



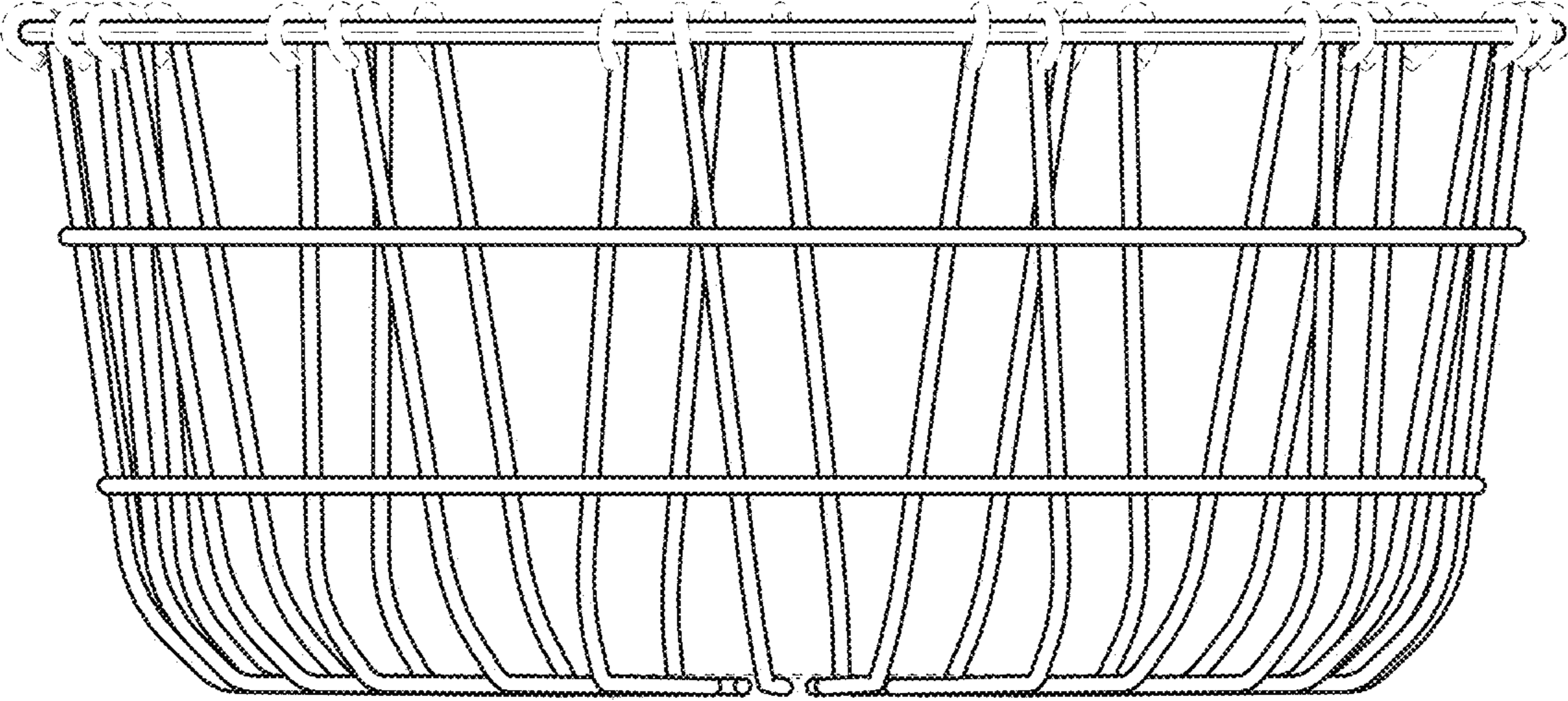


FIG. 2

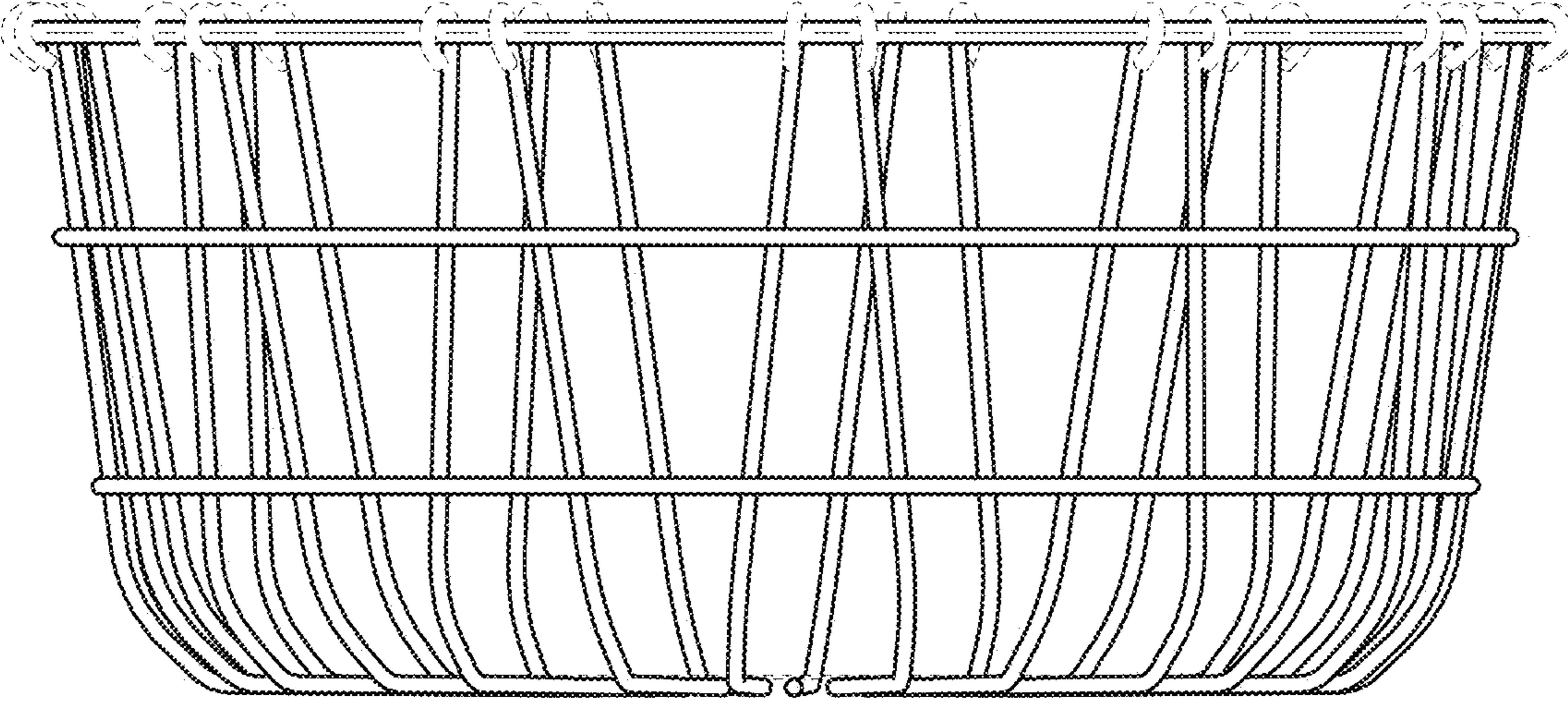


FIG. 3

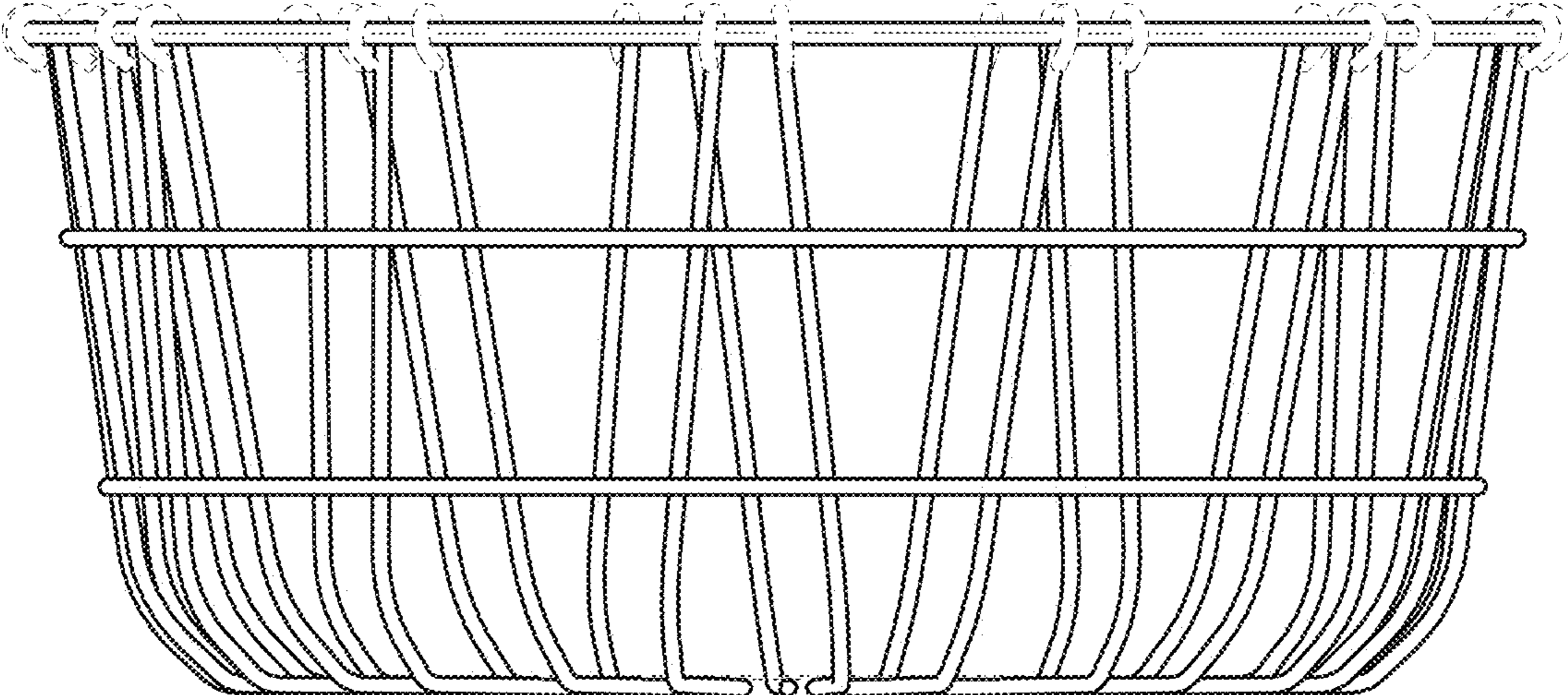


FIG. 4

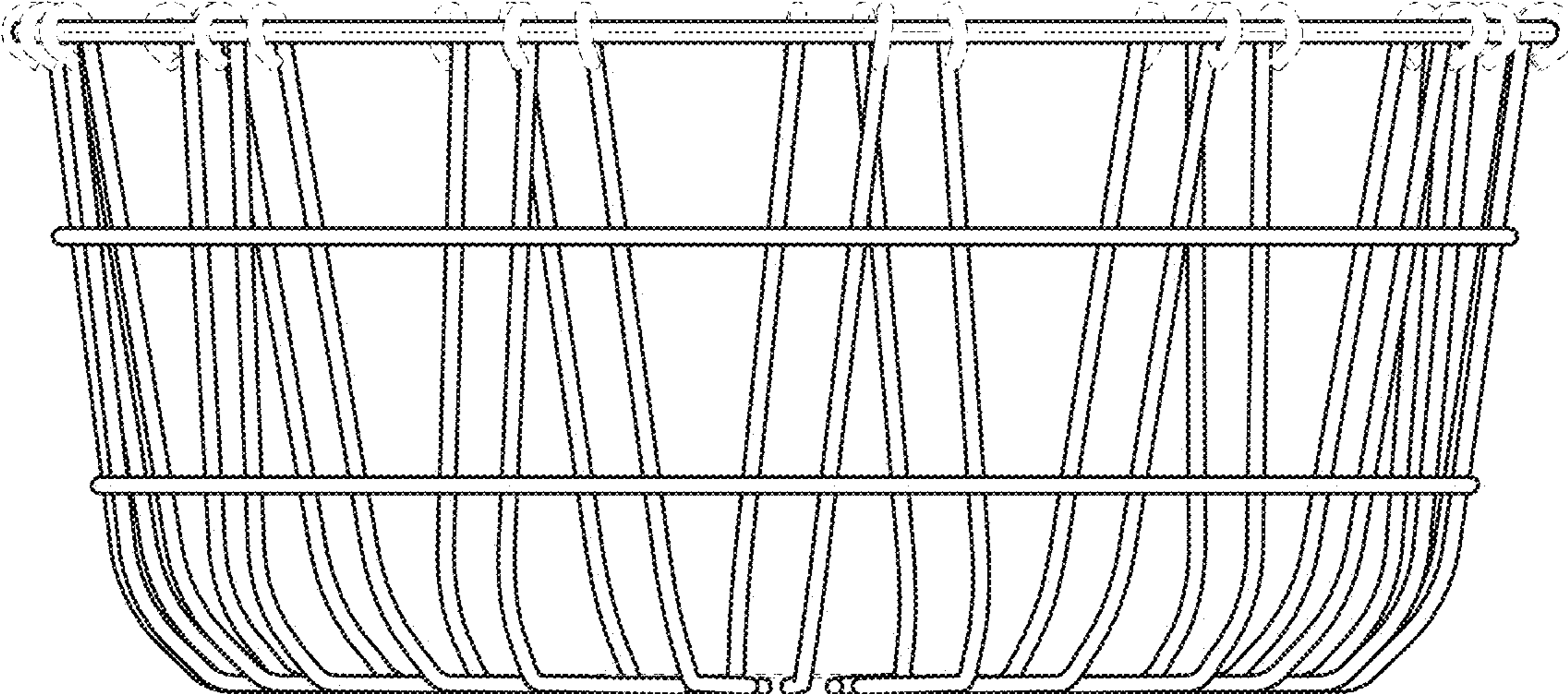


FIG. 5



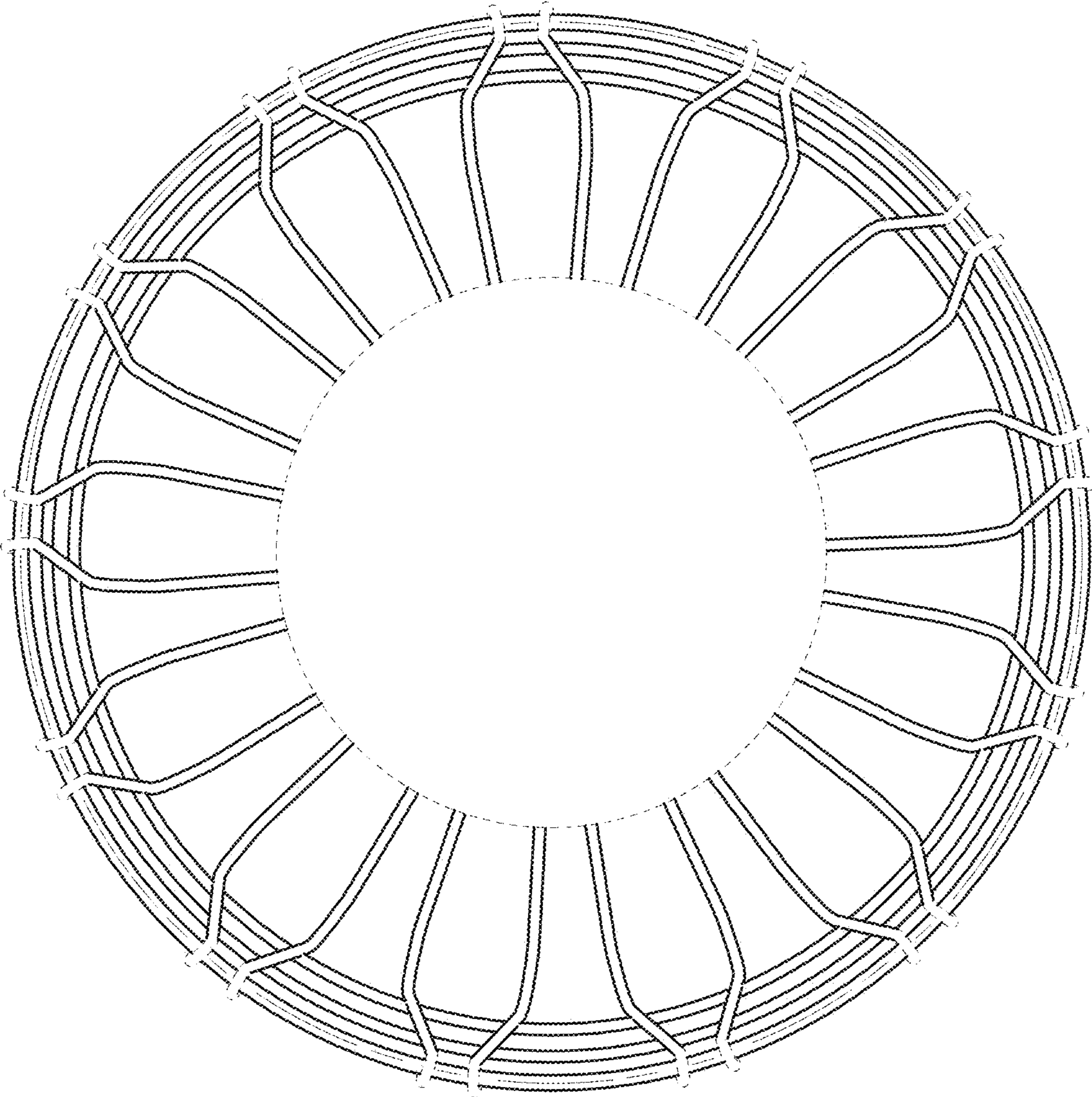


FIG. 6

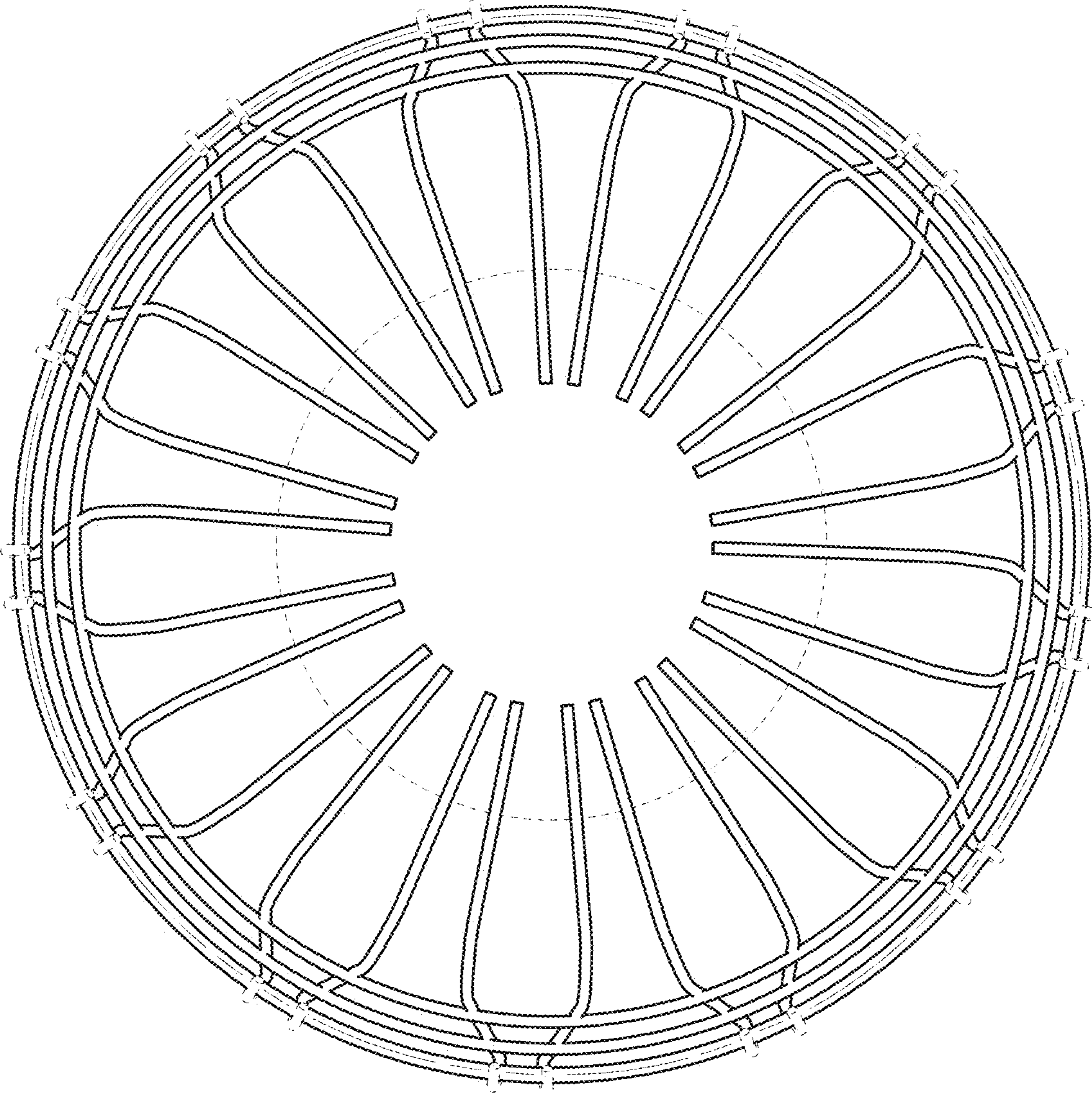


FIG. 7