



US00D900550S

(12) **United States Design Patent** (10) **Patent No.:** **US D900,550 S**  
**Rupp** (45) **Date of Patent:** **\*\* Nov. 3, 2020**

(54) **CUP**  
(71) Applicant: **Snowie LLC**, Salt Lake City, UT (US)  
(72) Inventor: **Carl A. Rupp**, Salt Lake City, UT (US)  
(73) Assignee: **Snowie LLC**, Salt Lake City, UT (US)  
(\*\*) Term: **15 Years**

D555,979 S \* 11/2007 Mansfield ..... D7/509  
D577,288 S \* 9/2008 Wilson ..... D9/428  
D652,266 S \* 1/2012 Smyers ..... D7/630  
D675,875 S \* 2/2013 Miller ..... D7/523  
D675,882 S \* 2/2013 Crockett ..... D7/601  
D684,011 S \* 6/2013 Fallas ..... D7/513  
D684,459 S \* 6/2013 Stowe ..... D9/428

(Continued)

(21) Appl. No.: **29/637,416**  
(22) Filed: **Feb. 18, 2018**  
(51) **LOC (12) Cl.** ..... **07-01**  
(52) **U.S. Cl.**  
USPC ..... **D7/523**  
(58) **Field of Classification Search**  
USPC ..... D7/523, 532, 524, 509; D11/143, 144;  
D9/424, 428; D6/403, 405  
CPC . A01G 9/00; A01G 9/02; A01G 9/021; A01G  
9/022; A01G 9/024; A47G 19/22; A47G  
19/2205; A47G 7/00; A47G 7/02; A47G  
7/06  
See application file for complete search history.

**OTHER PUBLICATIONS**

B&R Plastics Fluted PolyethyleneI posted at Amazon.com, posted on Apr. 17, 2012 © 1996-2020 Amazon.com, [online], [site visited Jun. 17, 2020]. Available from Internet, <URL: https://www.amazon.co.uk/Plastics-Fluted-Polyethylene-Cup-16/dp/B001HAS2JI/> (Year: 2012).\*

(Continued)

*Primary Examiner* — Susan E Krakower  
*Assistant Examiner* — Andrew Kerr  
(74) *Attorney, Agent, or Firm* — Terrence J. Edwards;  
TechLaw Ventures, PLLC

(57) **CLAIM**

I claim the ornamental design for a cup, as shown and described.

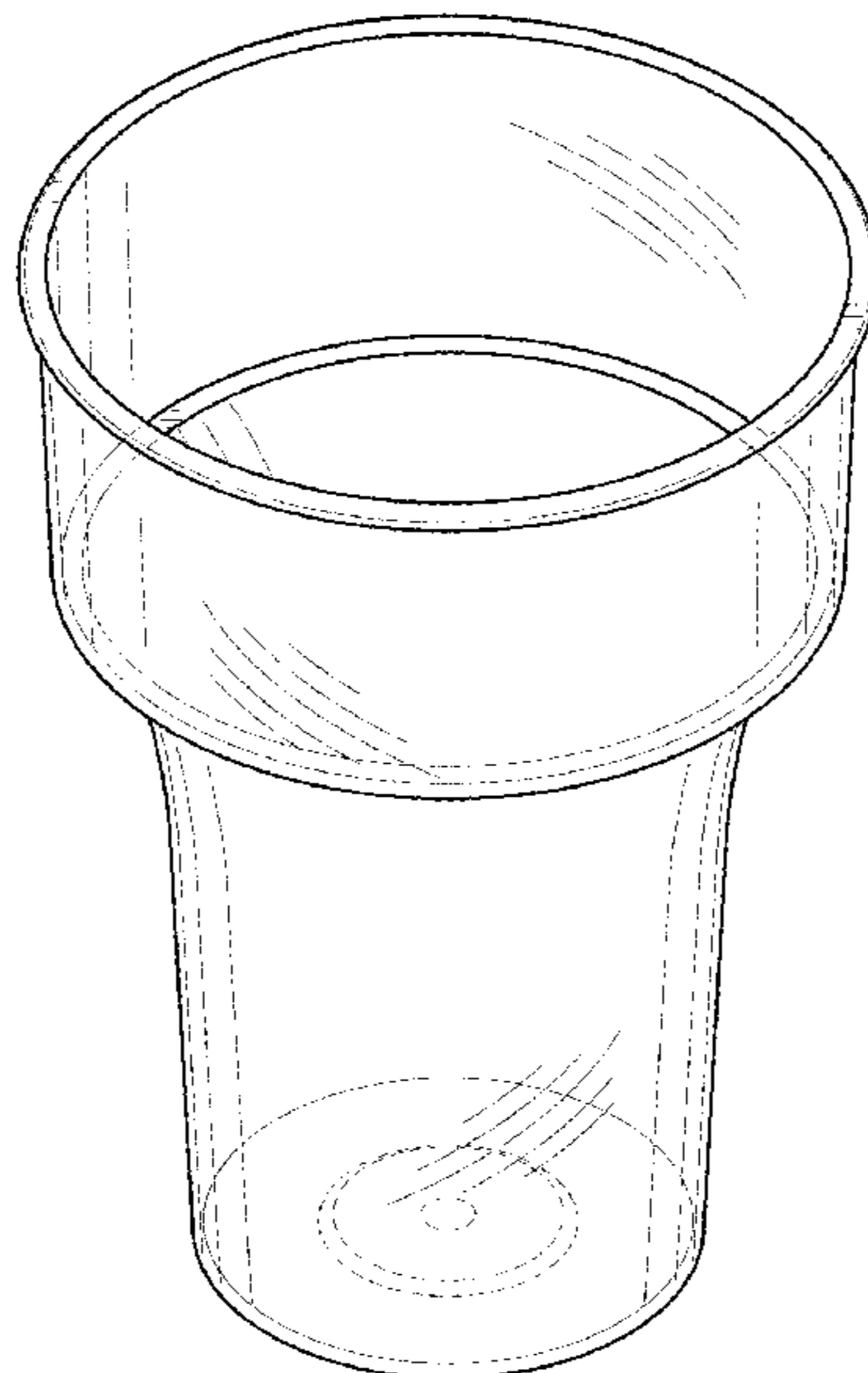
**DESCRIPTION**

FIG. 1 is a top perspective view of a cup, showing my new design;  
FIG. 2 is a bottom perspective view thereof;  
FIG. 3 is a front view thereof;  
FIG. 4 is a rear view thereof;  
FIG. 5 is a side view thereof;  
FIG. 6 is another side view thereof;  
FIG. 7 is a top view thereof; and,  
FIG. 8 is a bottom view thereof.  
The broken lines in the drawings depict portions of the cup that form no part of the claimed design.

(56) **References Cited**  
U.S. PATENT DOCUMENTS

604,514 A \* 5/1898 Belden ..... B65D 1/0223  
215/382  
D239,193 S \* 3/1976 Daenen ..... D11/154  
D335,382 S \* 5/1993 O'Brien ..... D7/509  
D399,451 S \* 10/1998 Durbin ..... D11/152  
D407,269 S \* 3/1999 Fletcher ..... D7/510  
D409,945 S \* 5/1999 Hensen ..... D11/152  
D426,160 S \* 6/2000 Lindsay ..... D9/500  
D429,150 S \* 8/2000 Lindsay ..... D7/602  
D453,094 S \* 1/2002 Maggard ..... D7/584  
D479,995 S \* 9/2003 Duceppe ..... D9/434  
D484,361 S \* 12/2003 Jeung ..... D7/300.2  
D488,348 S \* 4/2004 Liu ..... D7/509  
D548,526 S \* 8/2007 Huffman ..... D7/523  
D553,442 S \* 10/2007 Bodum ..... D7/509

**1 Claim, 4 Drawing Sheets**



(56)

**References Cited**

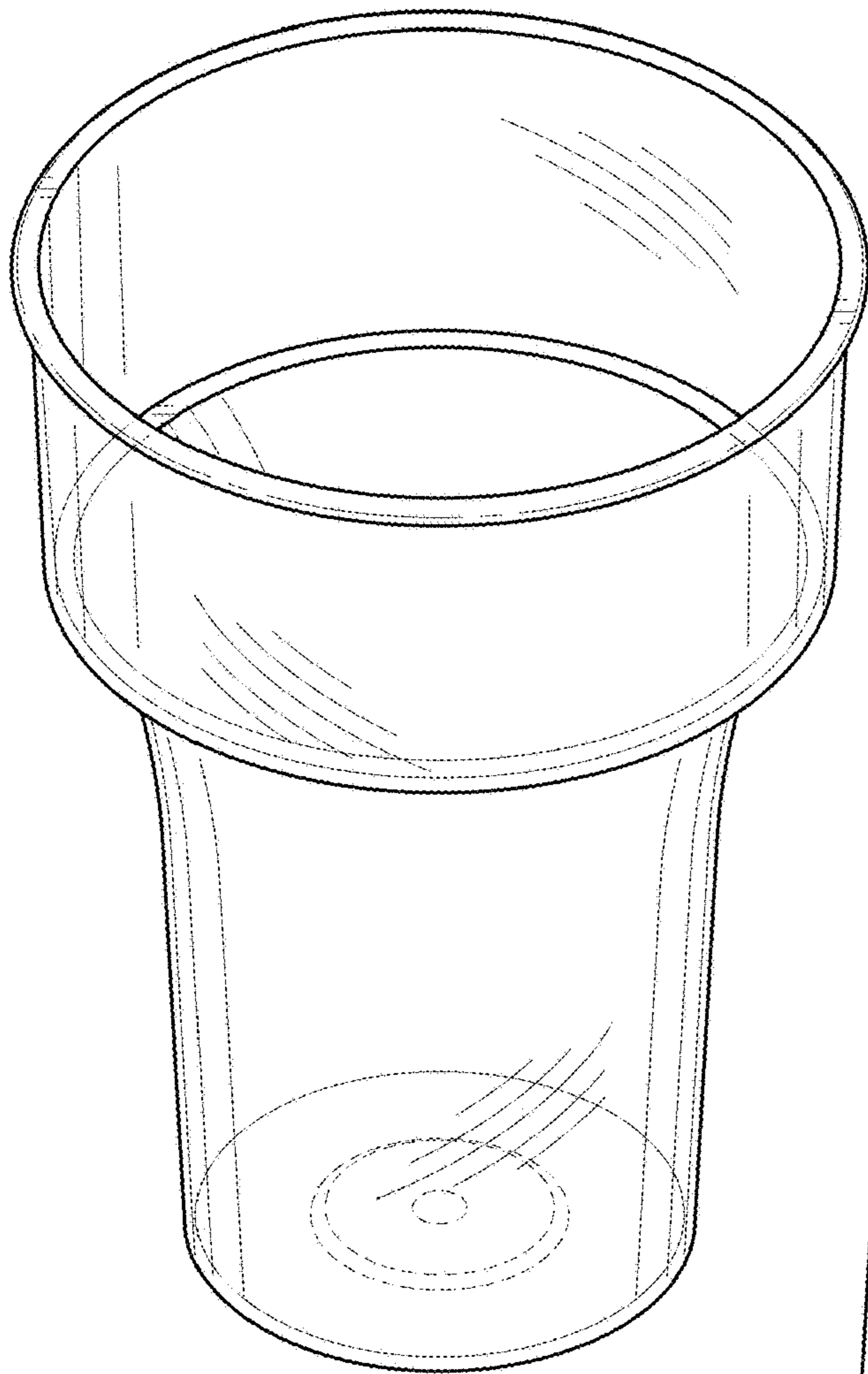
U.S. PATENT DOCUMENTS

D688,098	S	*	8/2013	Miller	.....	D7/523
D692,760	S	*	11/2013	Rapparini	.....	D9/425
D705,064	S	*	5/2014	Sy	.....	D11/154
D724,897	S	*	3/2015	Gieske	.....	D7/523
D763,043	S	*	8/2016	Stevens	.....	D7/509
D770,852	S	*	11/2016	Vu	.....	D7/510
D805,856	S	*	12/2017	Rivera	.....	D7/624.2
D807,703	S	*	1/2018	Rupp	.....	D7/523
D811,820	S	*	3/2018	Arora	.....	D7/523
D815,914	S	*	4/2018	Mesalic	.....	D7/523
D820,640	S	*	6/2018	Aviav	.....	D7/529
D828,724	S	*	9/2018	Wall	.....	D7/523
D845,076	S	*	4/2019	Brownell	.....	D7/545
D845,715	S	*	4/2019	Brownell	.....	D7/545

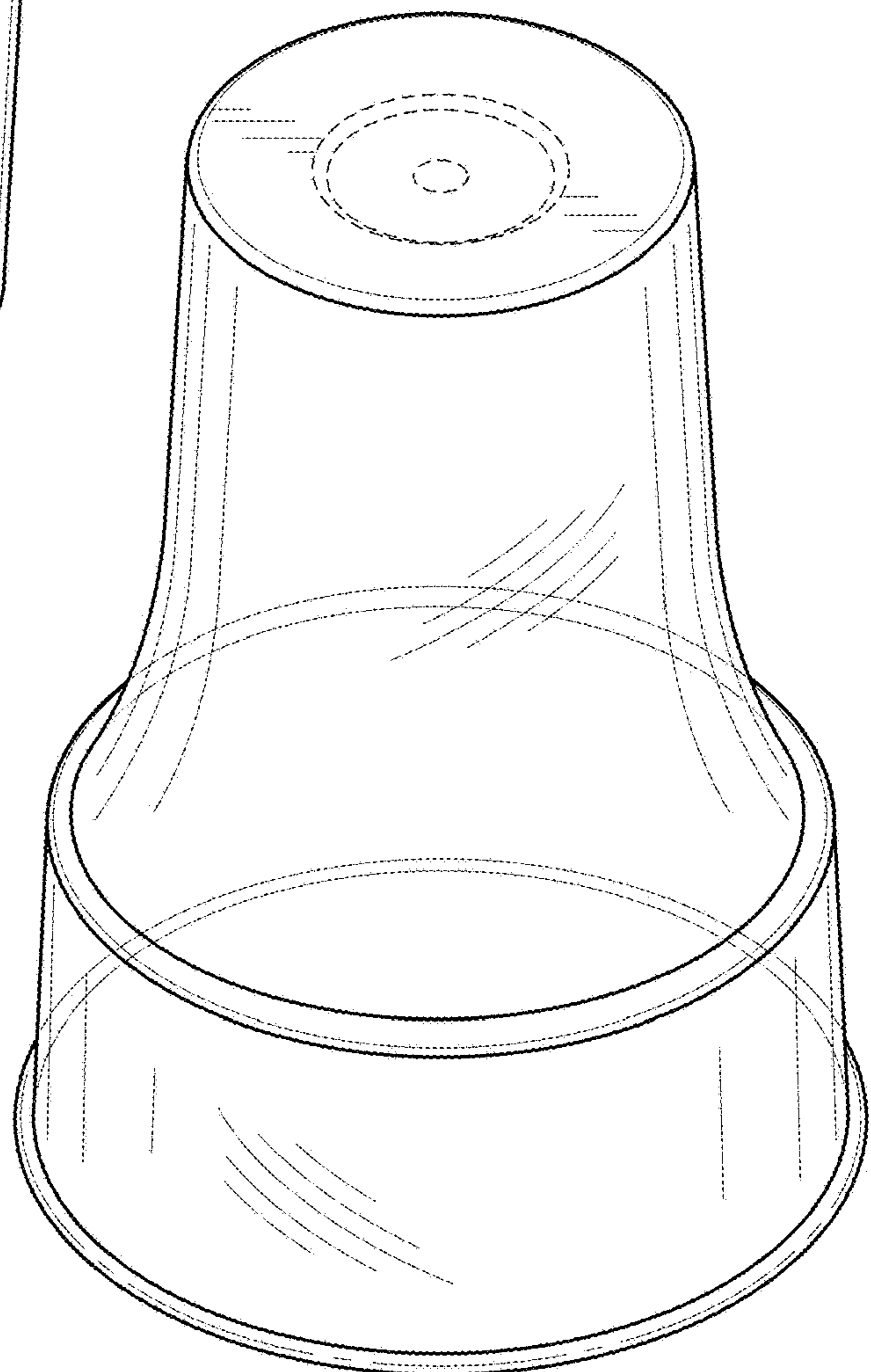
OTHER PUBLICATIONS

22 Oz Smooth Stadium Cup #700221 posted at Youtube.com, posted on Mar. 1, 2017 [online], [site visited Jun. 17, 2020]. Available from Internet, <URL: <https://www.youtube.com/watch?v=maxJXb7Vv1k>> (Year: 2017).\*

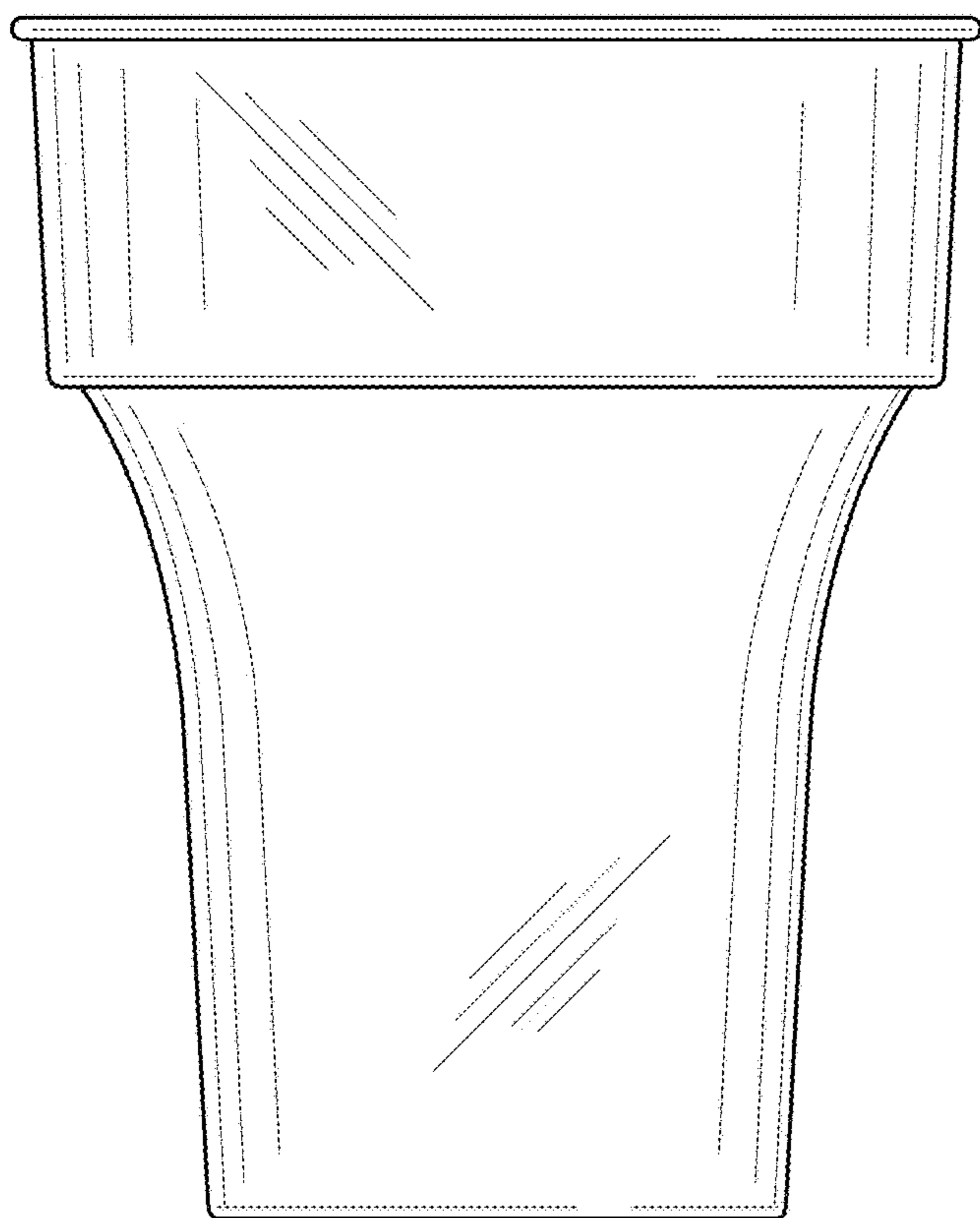
\* cited by examiner



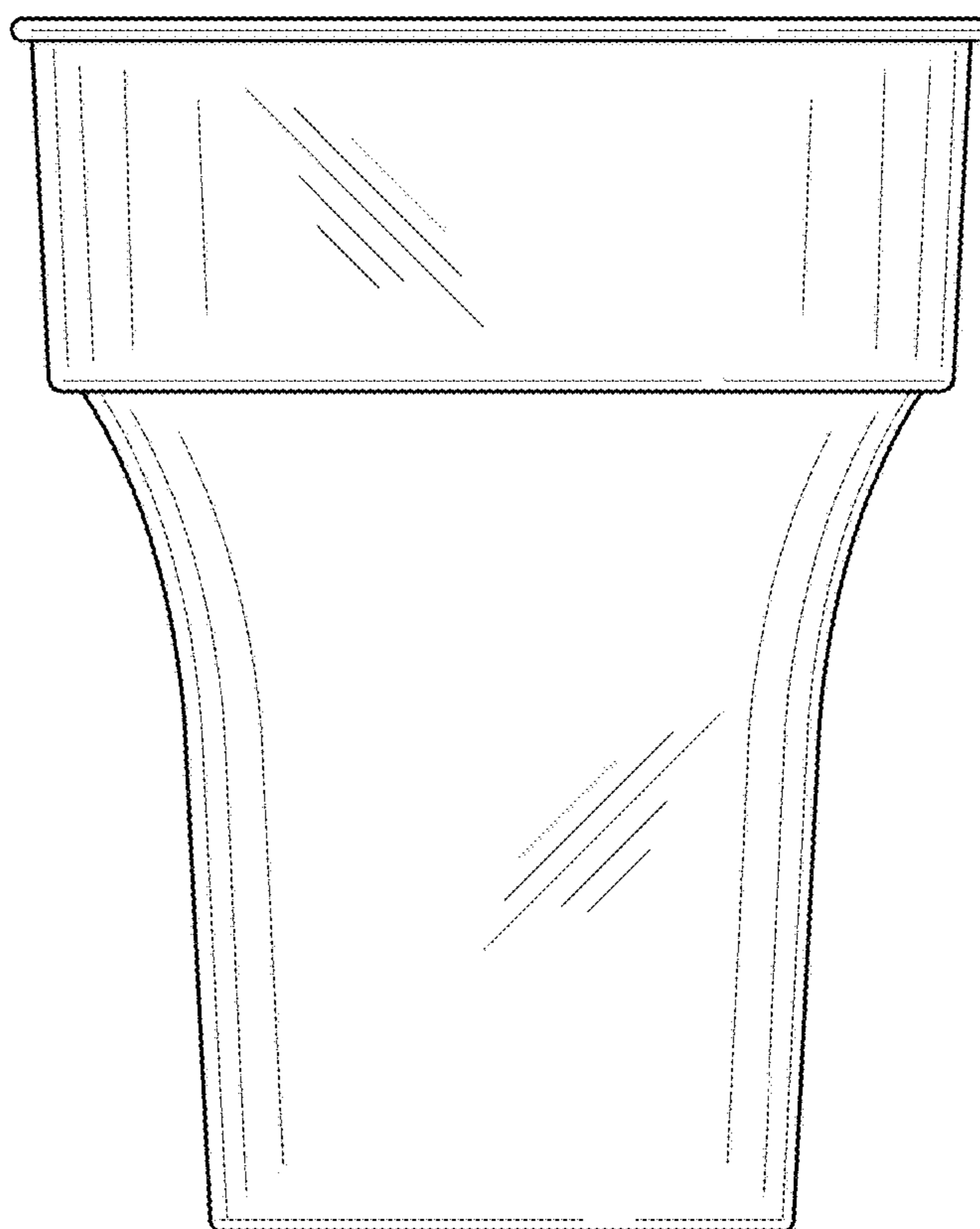
**FIG. 1**



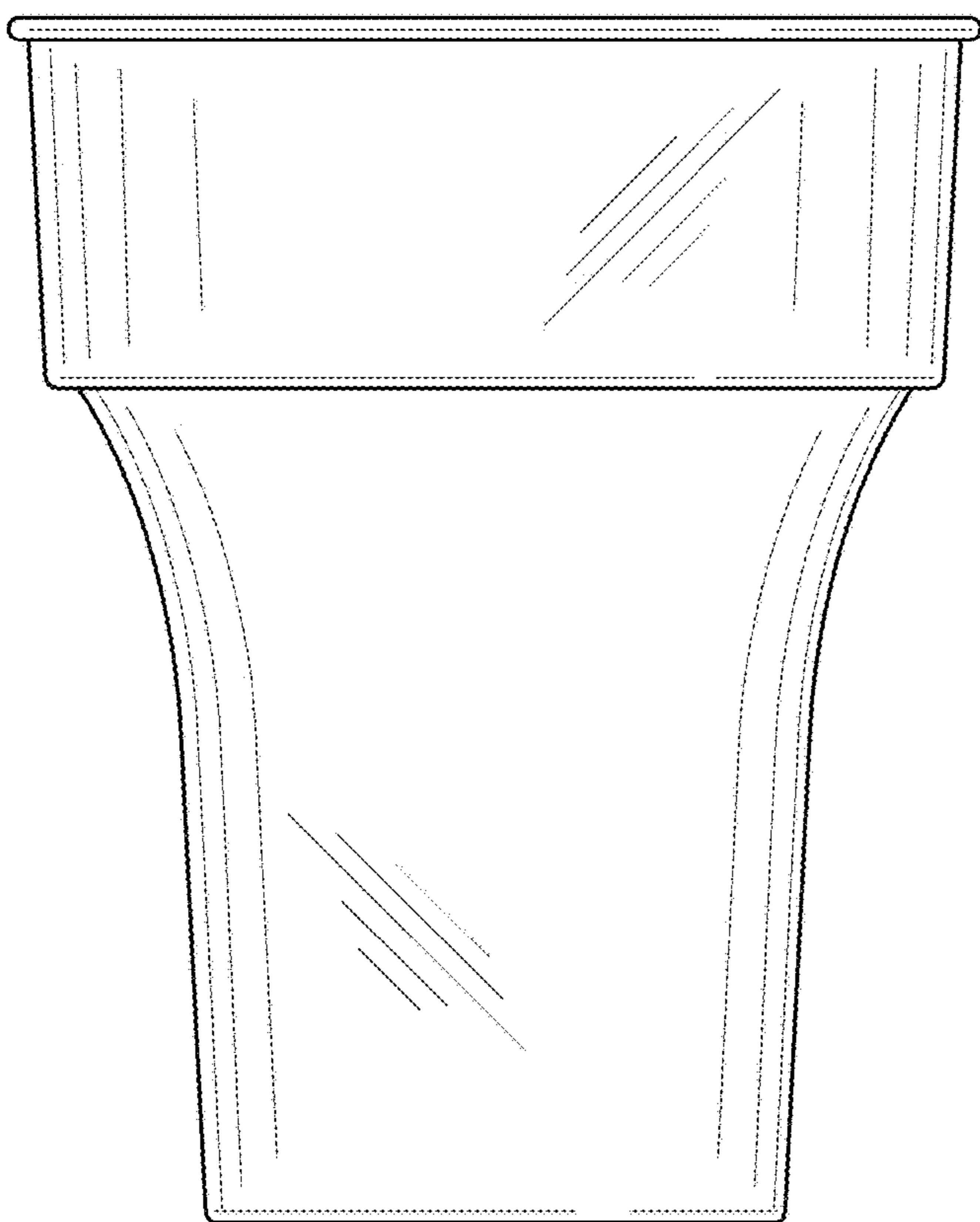
**FIG. 2**



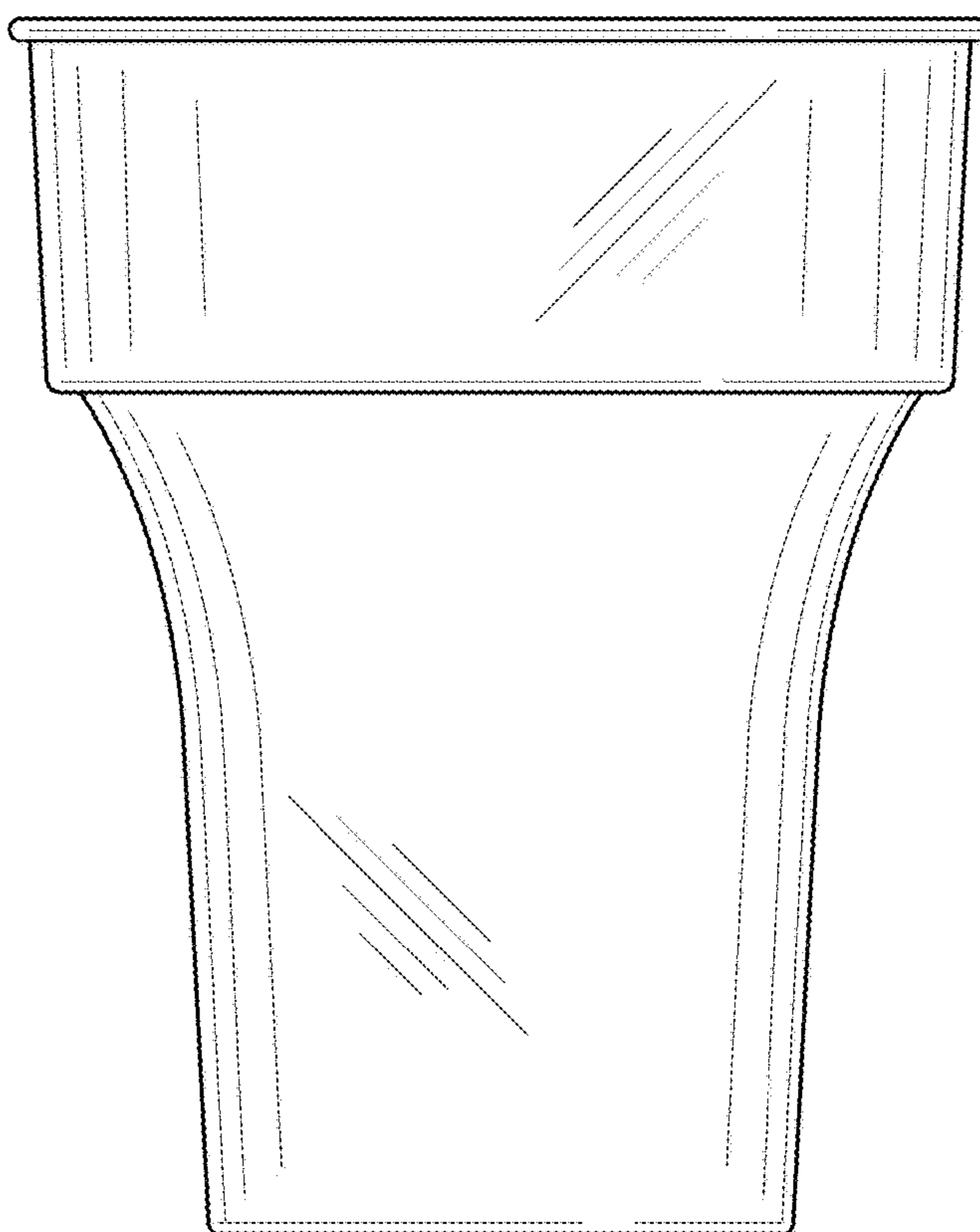
**FIG. 3**



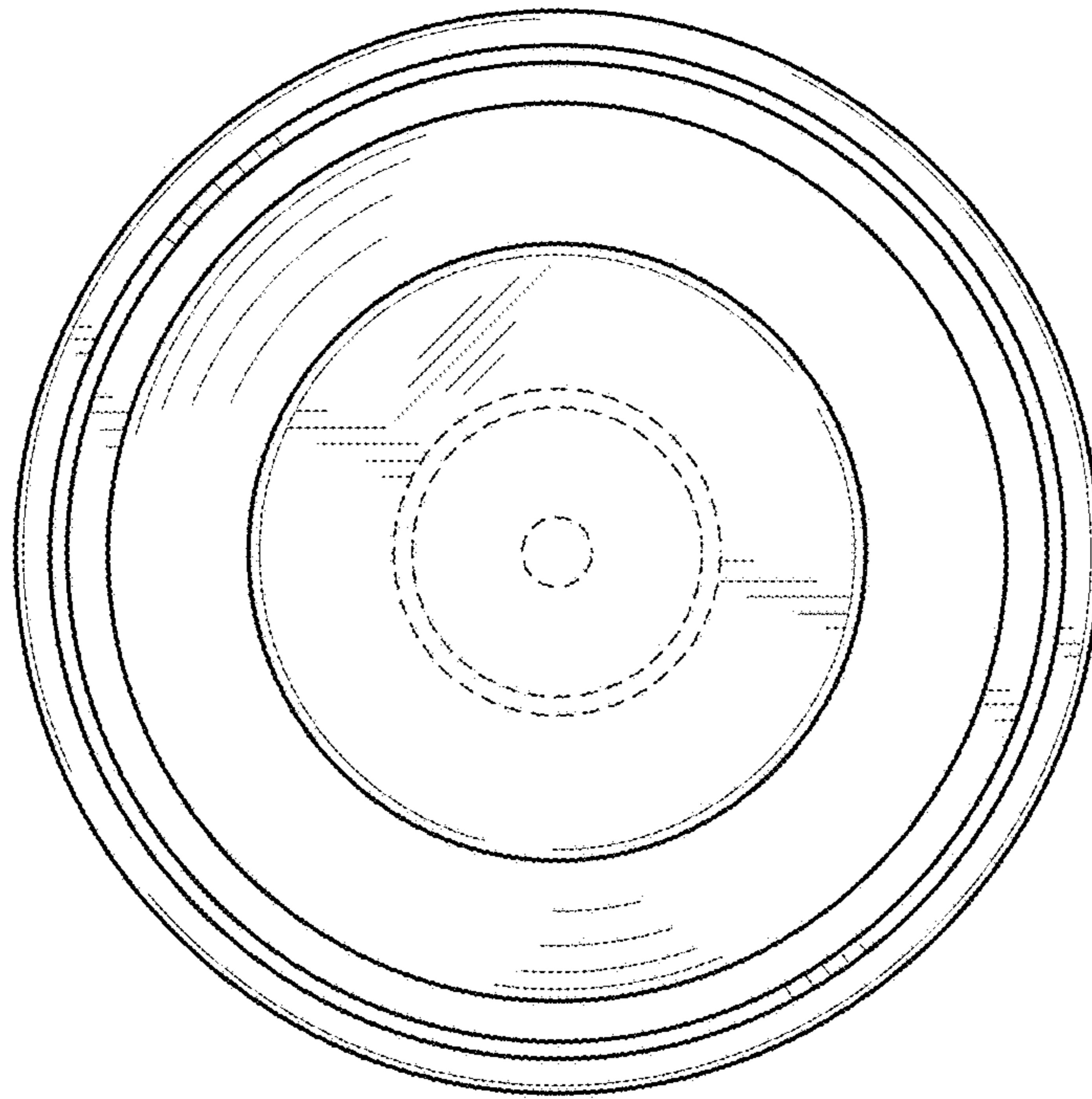
**FIG. 4**



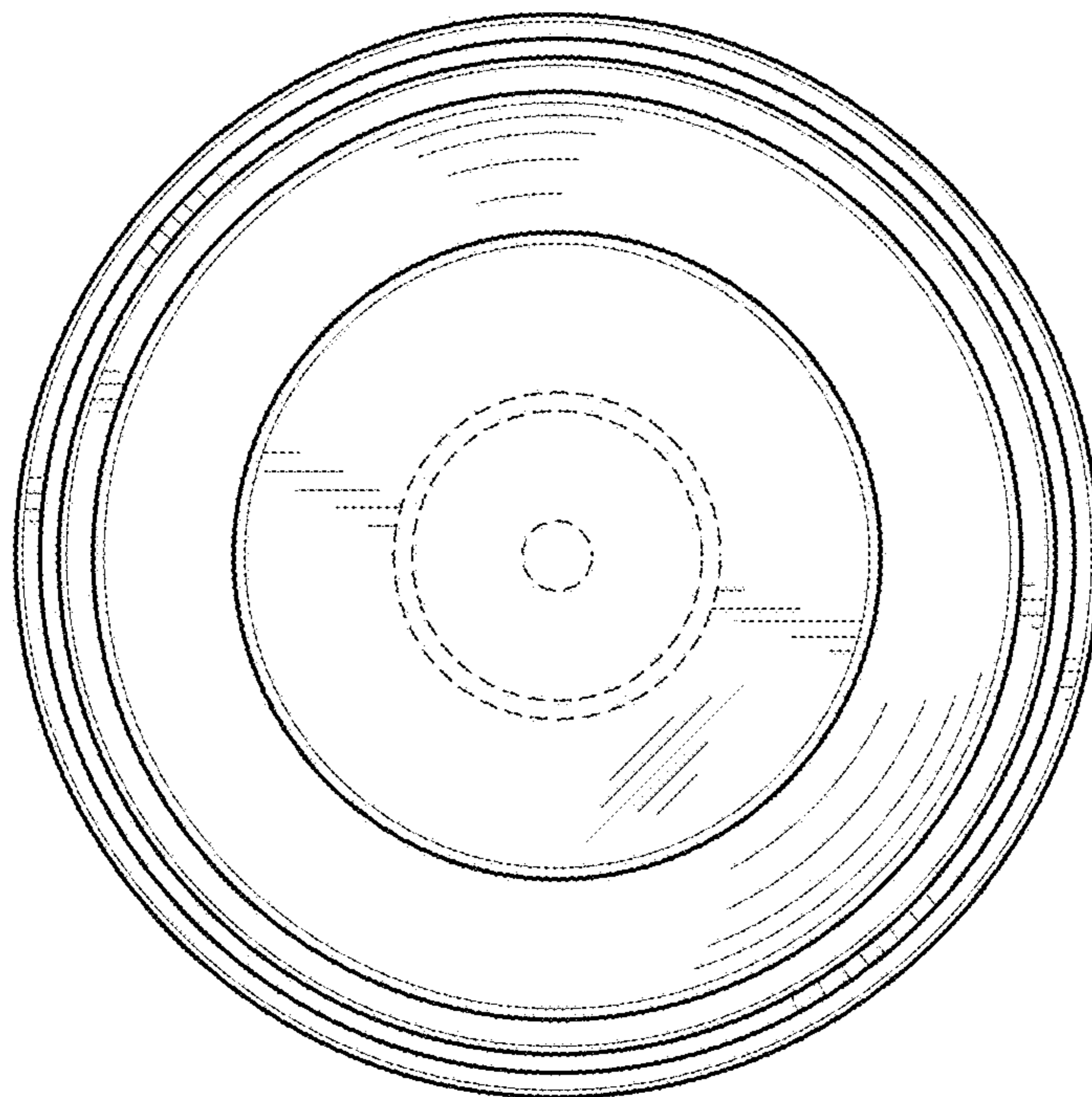
**FIG. 5**



**FIG. 6**



**FIG. 7**



**FIG. 8**