

US00D900548S

(12) **United States Design Patent** (10) **Patent No.:** **US D900,548 S**
Lee (45) **Date of Patent:** **** Nov. 3, 2020**

(54) **JAR FOR BLENDER CONTAINER**

(56) **References Cited**

(71) Applicant: **TAI YU (DONG GUAN) ELECTRICAL CO., LTD.**, Dong Guan, Guang Dong Prov. (CN)

(72) Inventor: **Ming-Hsien Lee**, Taichung (TW)

(73) Assignee: **TAI YU (DONG GUAN) ELECTRICAL CO., LTD.**, Dong Guan, Guang Dong Province (CN)

(**) Term: **15 Years**

(21) Appl. No.: **29/699,901**

(22) Filed: **Jul. 30, 2019**

(30) **Foreign Application Priority Data**

Jan. 30, 2019 (TW) 108300625

(51) **LOC (12) Cl.** **31-00**

(52) **U.S. Cl.**
USPC **D7/413; D7/376; D7/378; D7/412**

(58) **Field of Classification Search**
USPC D7/318, 372, 376-386, 412-413, 602, D7/629, 665-666, 669, 679, 693-694
CPC A21C 1/02; A21C 1/04; A23N 1/00; A23N 1/02; A47J 43/04; A47J 43/25; A47J 43/27; A47J 43/042; A47J 43/044; A47J 43/046; A47J 43/075; A47J 43/0716; A47J 43/0722; A47J 43/0727; A47J 43/0772; B01F 3/00; B01F 3/0807; B01F 3/0853; B01F 13/0059; B01F 13/0064; B02C 1/08; B02C 2/04; B02C 4/42; B02C 4/142; B02C 4/143; B02C 4/423; B02C 13/1835; B28C 5/10; B28C 5/12; B28C 5/14; B28C 5/16

See application file for complete search history.

U.S. PATENT DOCUMENTS

D163,117 S * 5/1951 Hobbs D7/318
3,368,800 A * 2/1968 Barnard, Jr. A47J 43/046
241/282.2
D227,535 S * 7/1973 Grimes D7/318
D228,698 S * 10/1973 Barnard D7/378
D350,451 S * 9/1994 Dickson D7/376
D480,915 S * 10/2003 Kolar D7/413
6,979,117 B2 * 12/2005 Dickson, Jr. A47J 43/0716
366/205
D528,363 S * 9/2006 Ulanski D7/413
D742,172 S * 11/2015 Dickson, Jr. D7/413
9,420,915 B2 * 8/2016 Dickson, Jr. A47J 43/046
D791,541 S * 7/2017 Stumph D7/413
D808,719 S * 1/2018 Coakley D7/413
2016/0296899 A1 * 10/2016 Hoare B01F 15/00389

* cited by examiner

Primary Examiner — Ricky Pham

(74) *Attorney, Agent, or Firm* — Muncy, Geissler, Olds & Lowe, P.C.

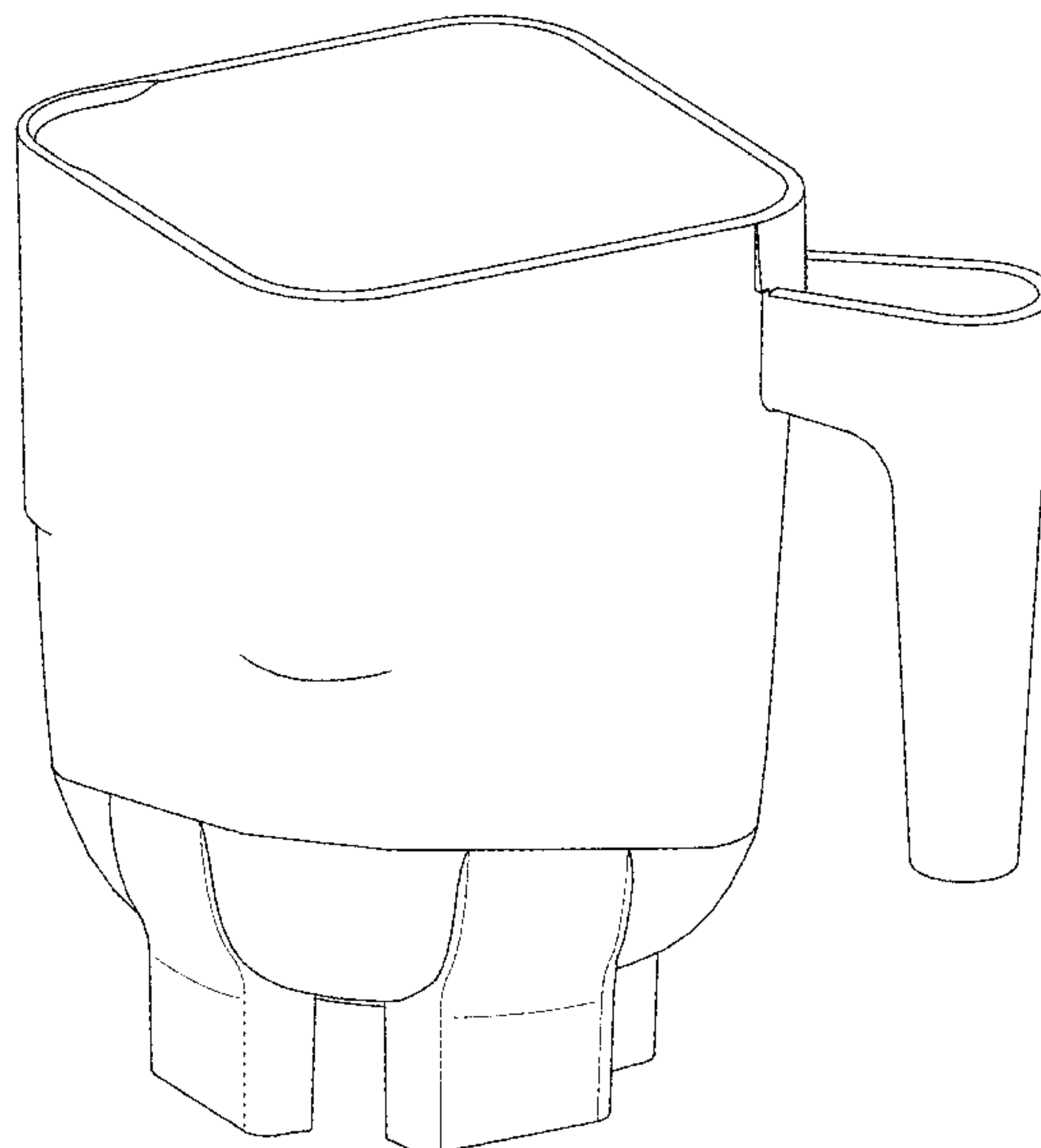
(57) **CLAIM**

The ornamental design for a jar for blender container, as shown and described.

DESCRIPTION

FIG. 1 is a perspective view of a jar for blender container showing the new design;
FIG. 2 is a front elevational view thereof;
FIG. 3 is a rear elevational view thereof;
FIG. 4 is a left side elevational view thereof;
FIG. 5 is a right side elevational view thereof;
FIG. 6 is a top plan view thereof;
FIG. 7 is a bottom plan view thereof;
FIG. 8 is a cross-sectional view taken along a line A-A indicated in FIG. 6; and,
FIG. 9 is a cross-sectional view taken along a line B-B indicated in FIG. 6.

1 Claim, 9 Drawing Sheets



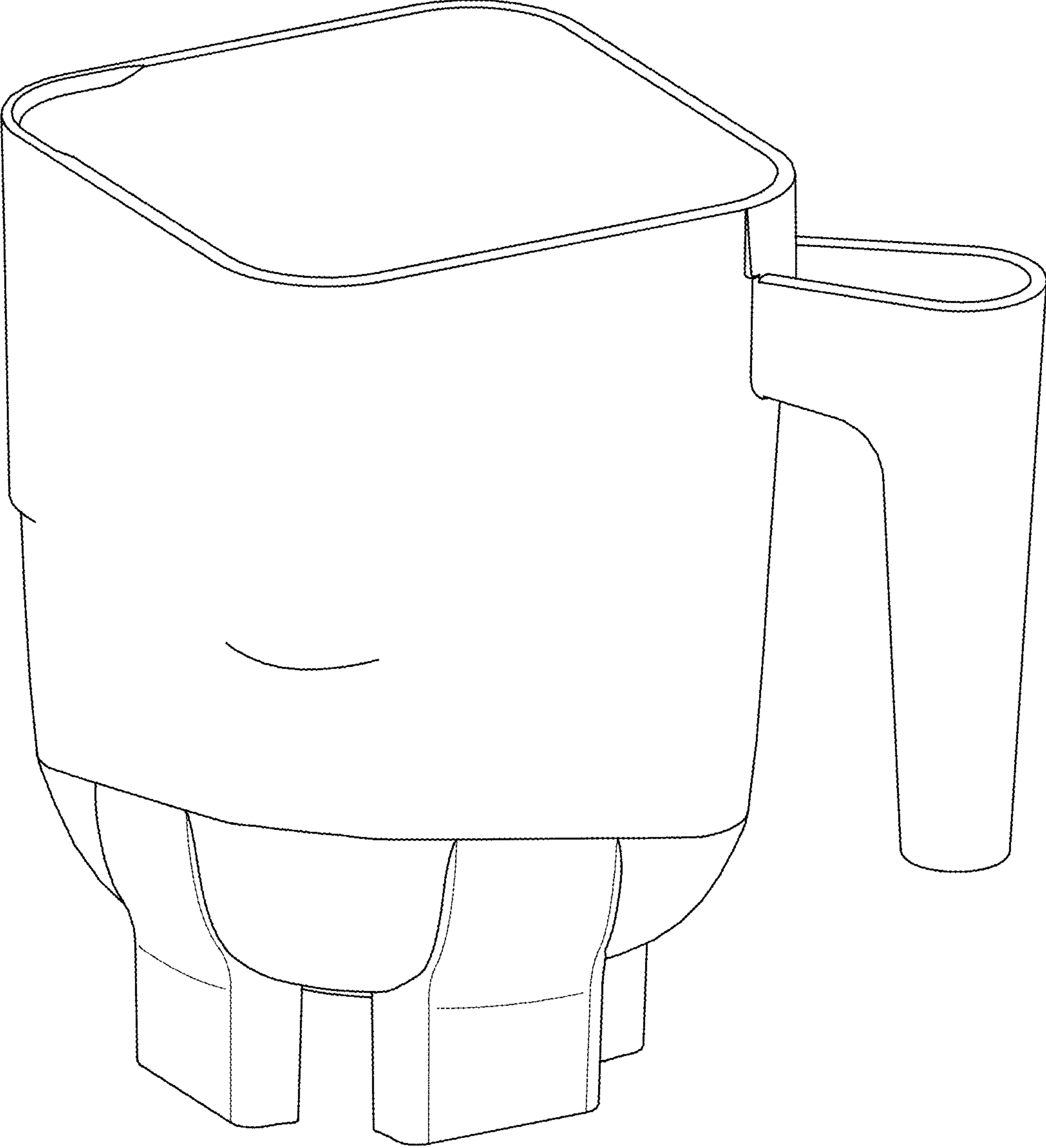


FIG. 1

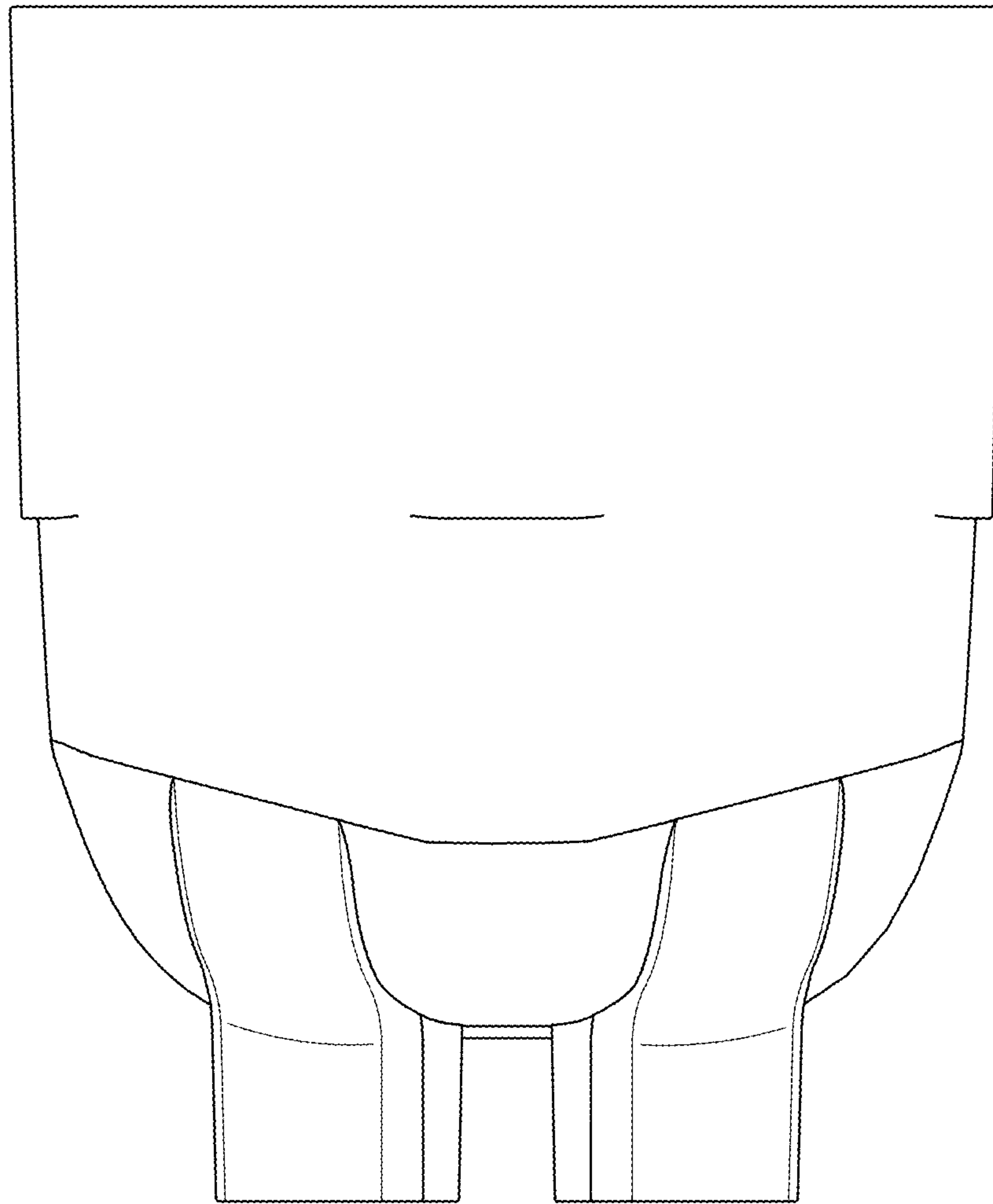


FIG. 2

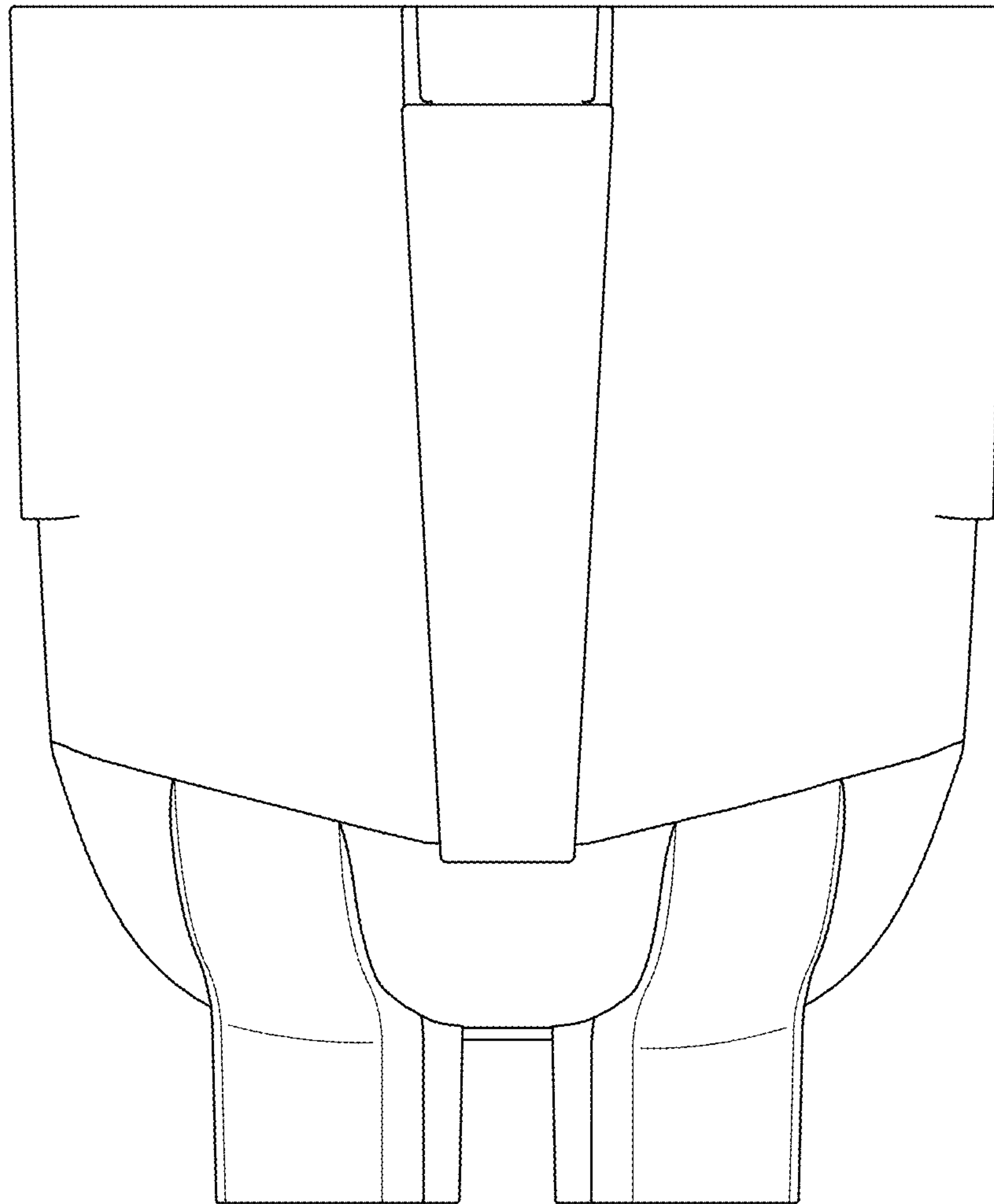


FIG. 3

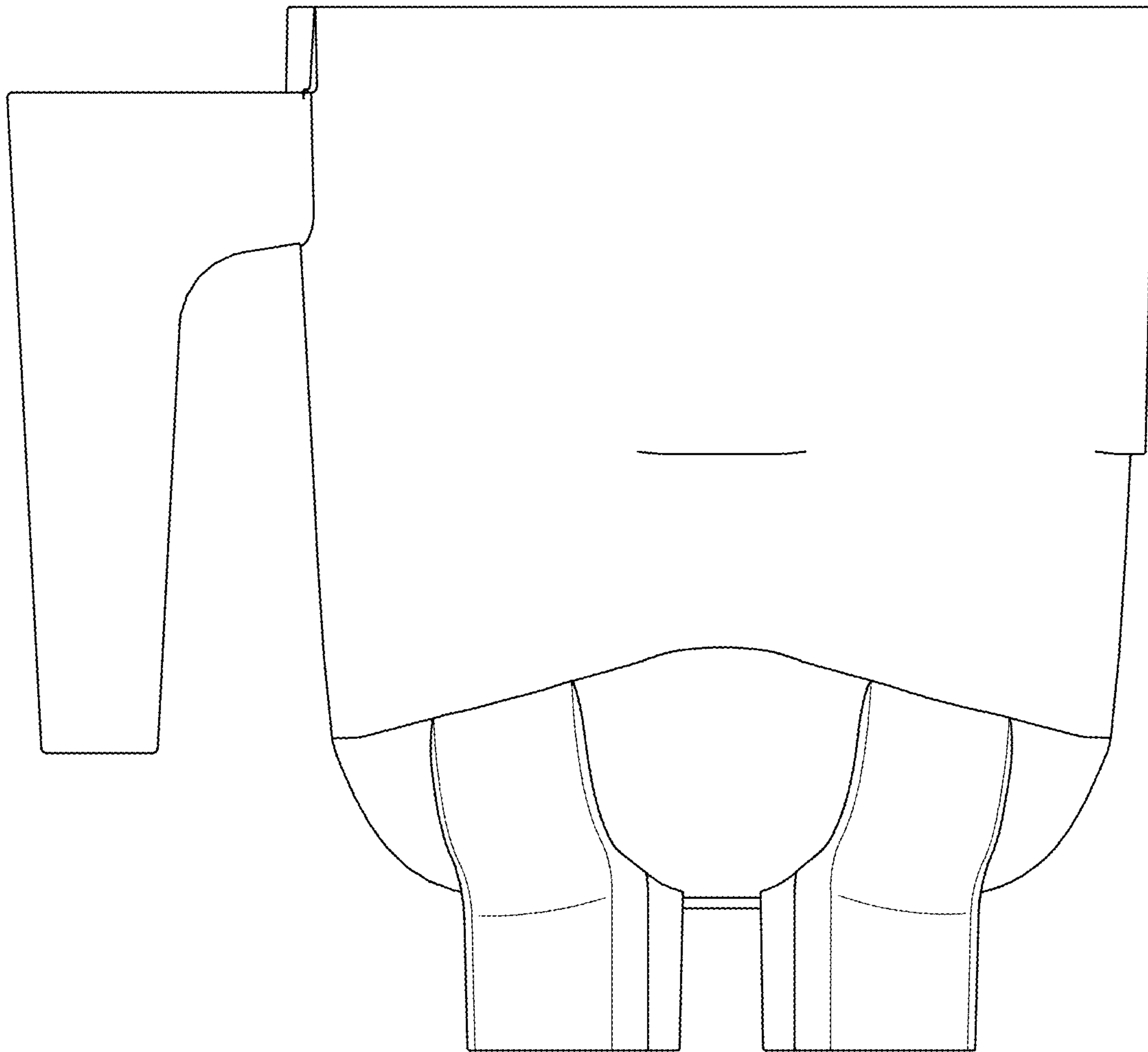


FIG. 4

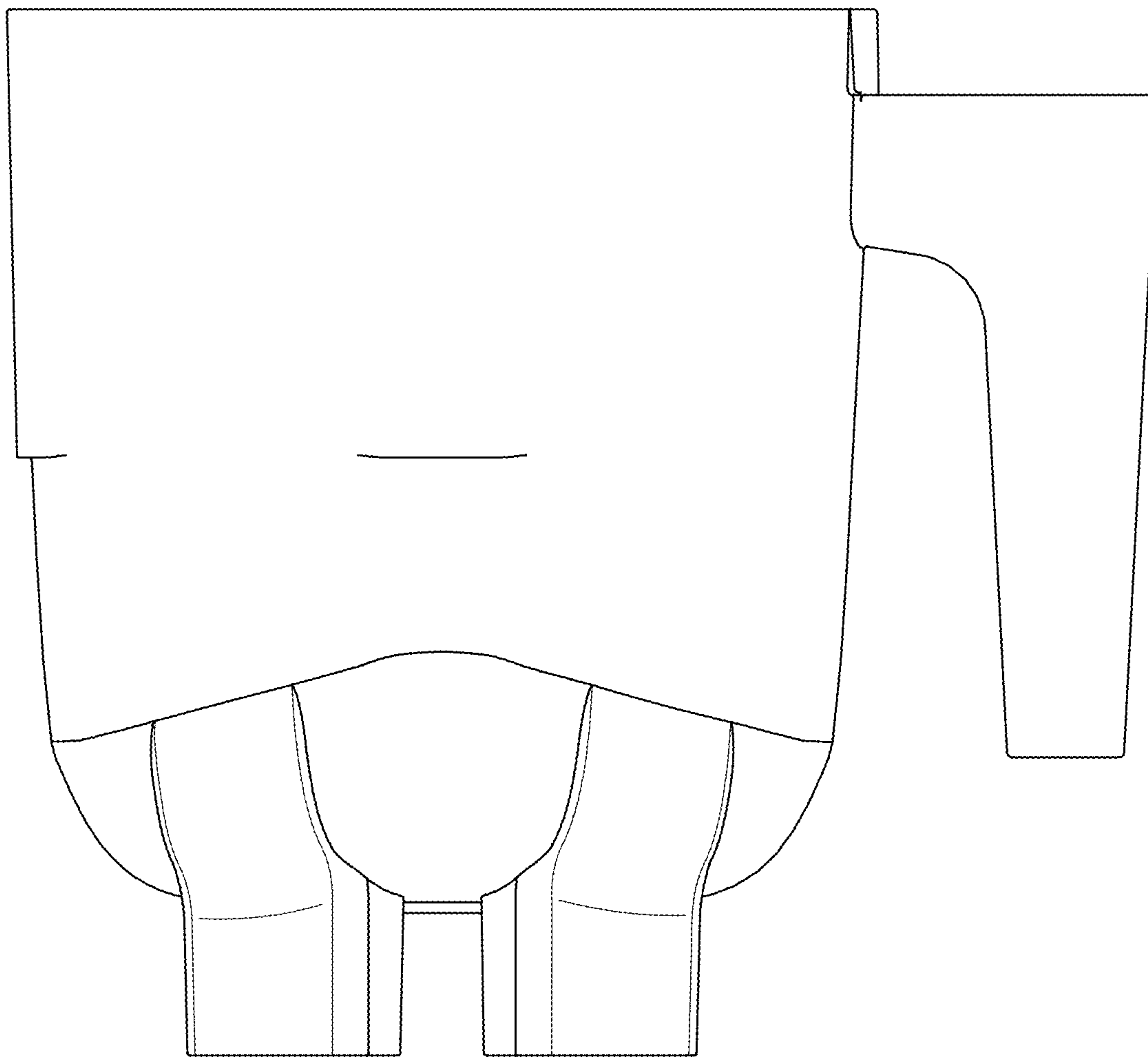


FIG. 5

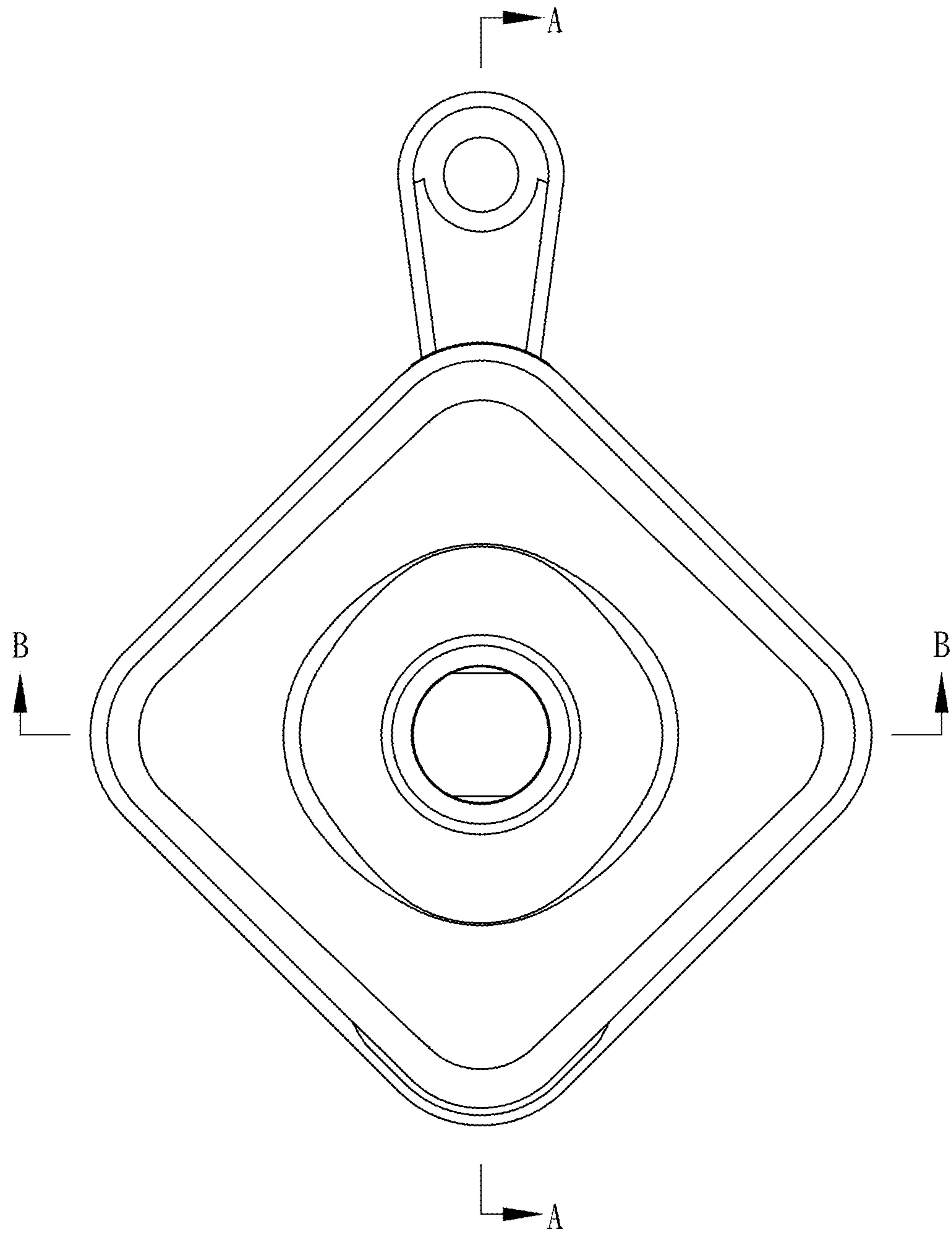


FIG. 6

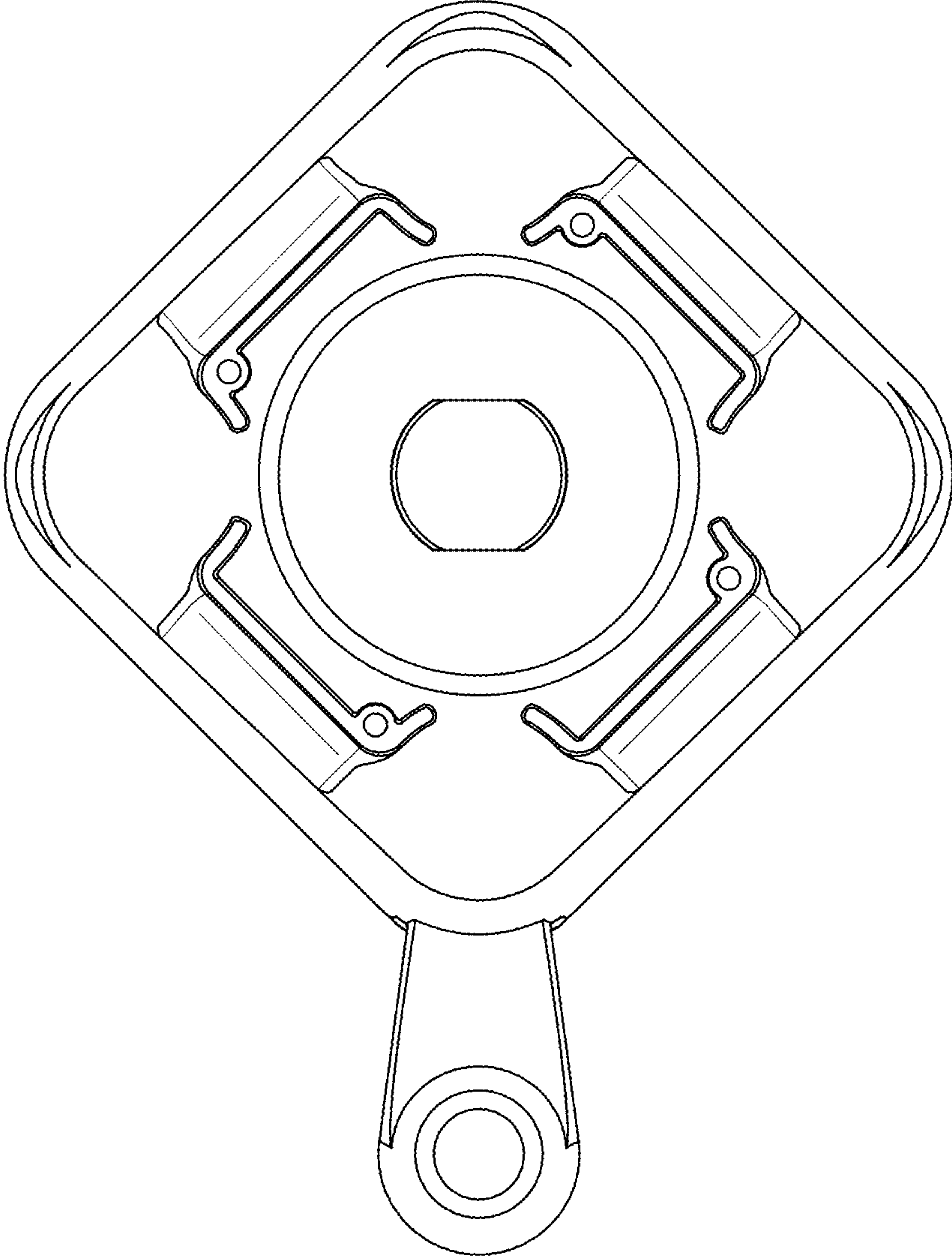


FIG. 7

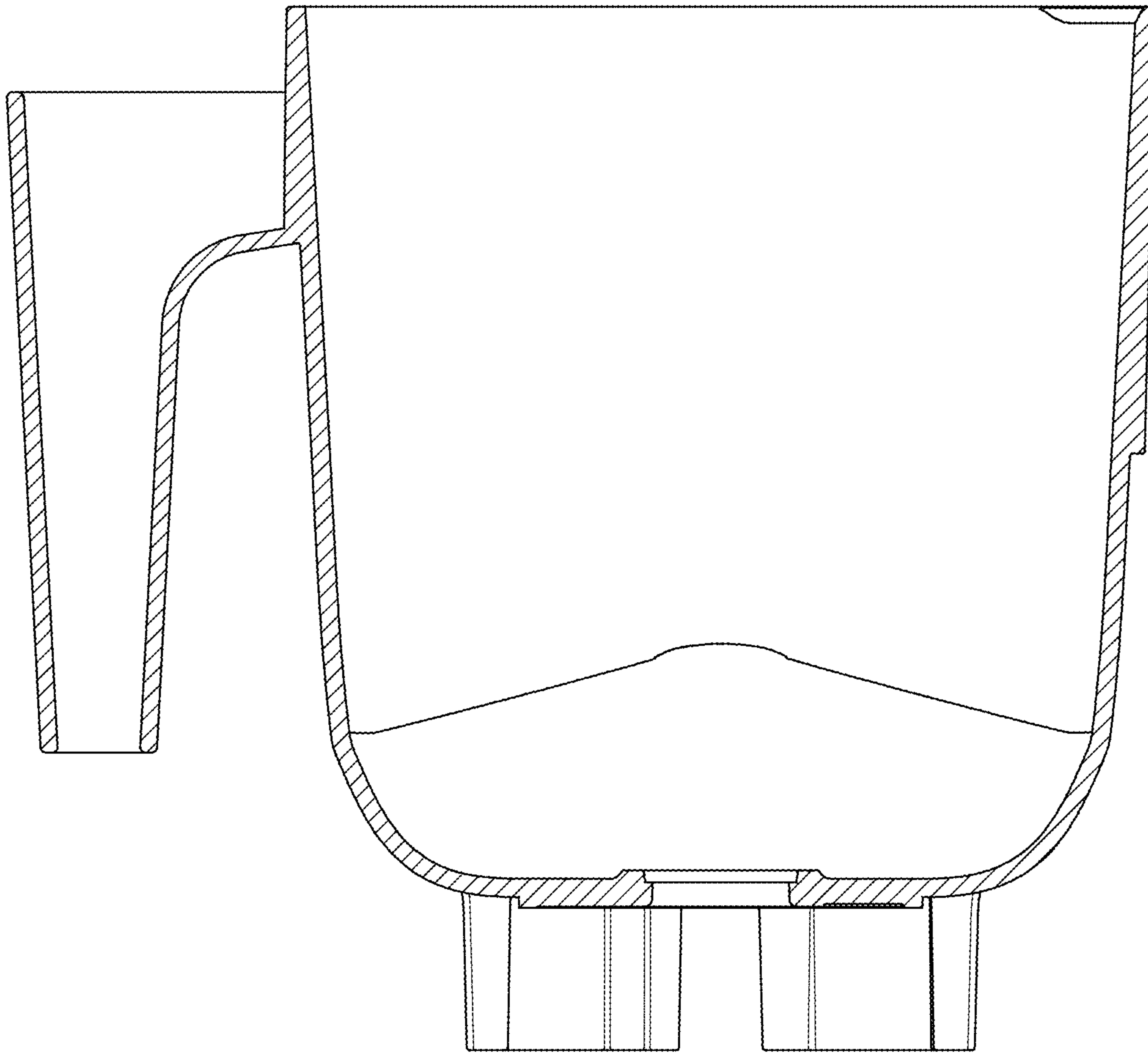


FIG. 8

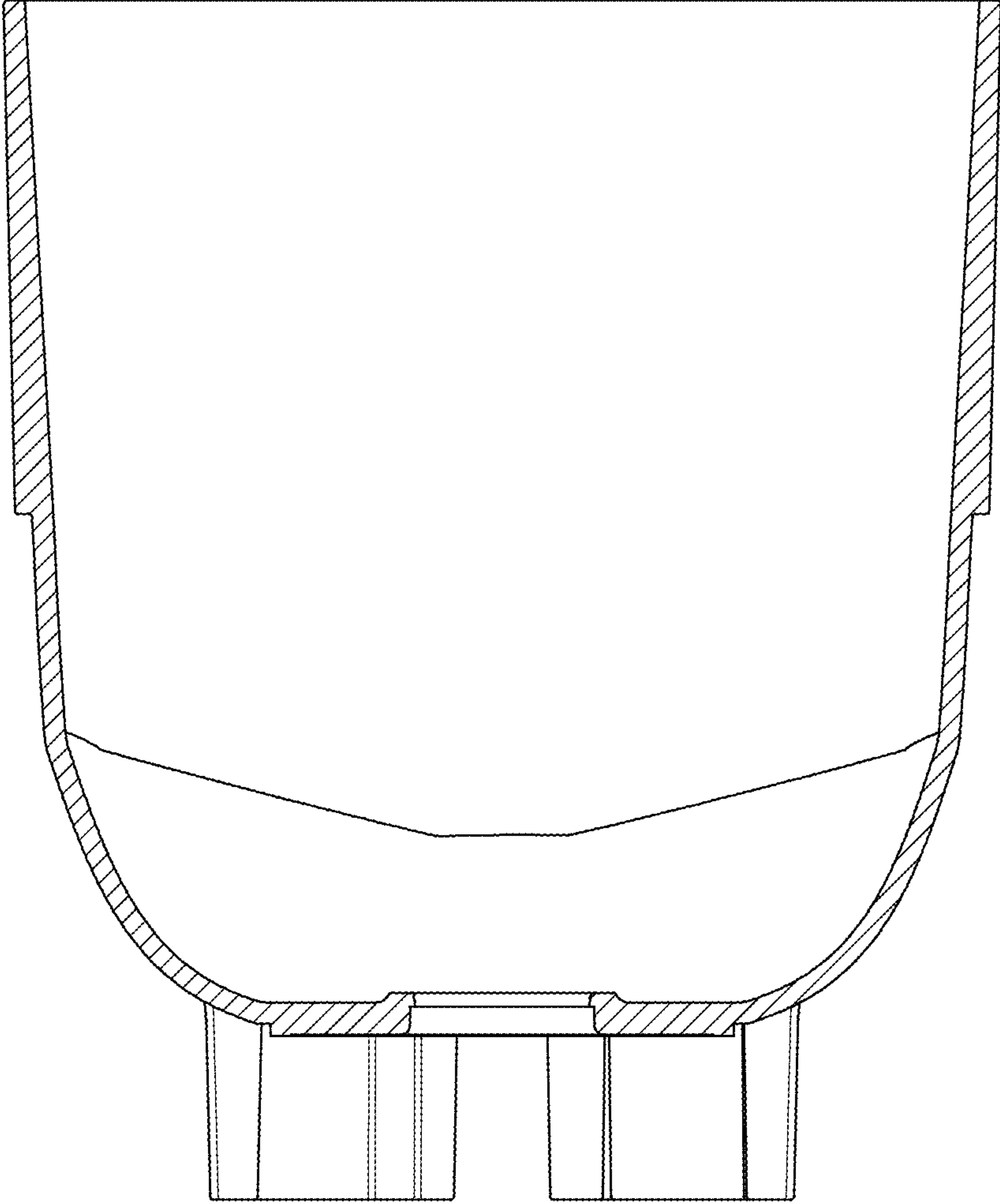


FIG. 9