



US00D900547S

(12) **United States Design Patent**
Contell

(10) **Patent No.:** **US D900,547 S**

(45) **Date of Patent:** **** Nov. 3, 2020**

(54) **CUP ASSEMBLY FOR FRUIT JUICER**

(71) Applicant: **Zummo Innovaciones Mecanicas, S.A., Valencia (ES)**

(72) Inventor: **Eugenio Contell, Valencia (ES)**

(**) Term: **15 Years**

(21) Appl. No.: **35/506,858**

(22) Filed: **Nov. 26, 2018**

(80) **Hague Agreement Data**

Int. Filing Date: **Nov. 26, 2018**

Int. Reg. No.: **DM/200947**

Int. Reg. Date: **Nov. 26, 2018**

Int. Reg. Pub. Date: **May 31, 2019**

(51) **LOC (12) Cl.** **07-99**

(52) **U.S. Cl.**
USPC **D7/412**

(58) **Field of Classification Search**

USPC D7/372, 665, 666, 682, 412, 414;
D15/123

CPC .. A23N 1/02; A23N 1/003; A47J 19/02; A47J
19/027; A47J 19/022; A47J 10/022

See application file for complete search history.

(56) **References Cited**

U.S. PATENT DOCUMENTS

D251,405 S *	3/1979	Ackeret	D7/665
D279,157 S *	6/1985	Gecchelin	D7/665
D296,288 S *	6/1988	Zimnowicz	D7/665
D307,090 S *	4/1990	DeCoster	D7/665
D465,697 S *	11/2002	Renz	D7/376
D485,474 S *	1/2004	Wong	A23N 1/003 D7/665
D659,470 S *	5/2012	Narwankar	A23N 1/003 D7/376

9,445,626 B2 *	9/2016	Contell Albert	A23N 1/003
D799,888 S *	10/2017	McClory	D7/375
D799,890 S *	10/2017	McClory	D7/375
10,130,118 B2 *	11/2018	Contell Albert	A23N 1/003
D856,587 S *	8/2019	Kamboj	D28/73

* cited by examiner

Primary Examiner — Robert M. Spear

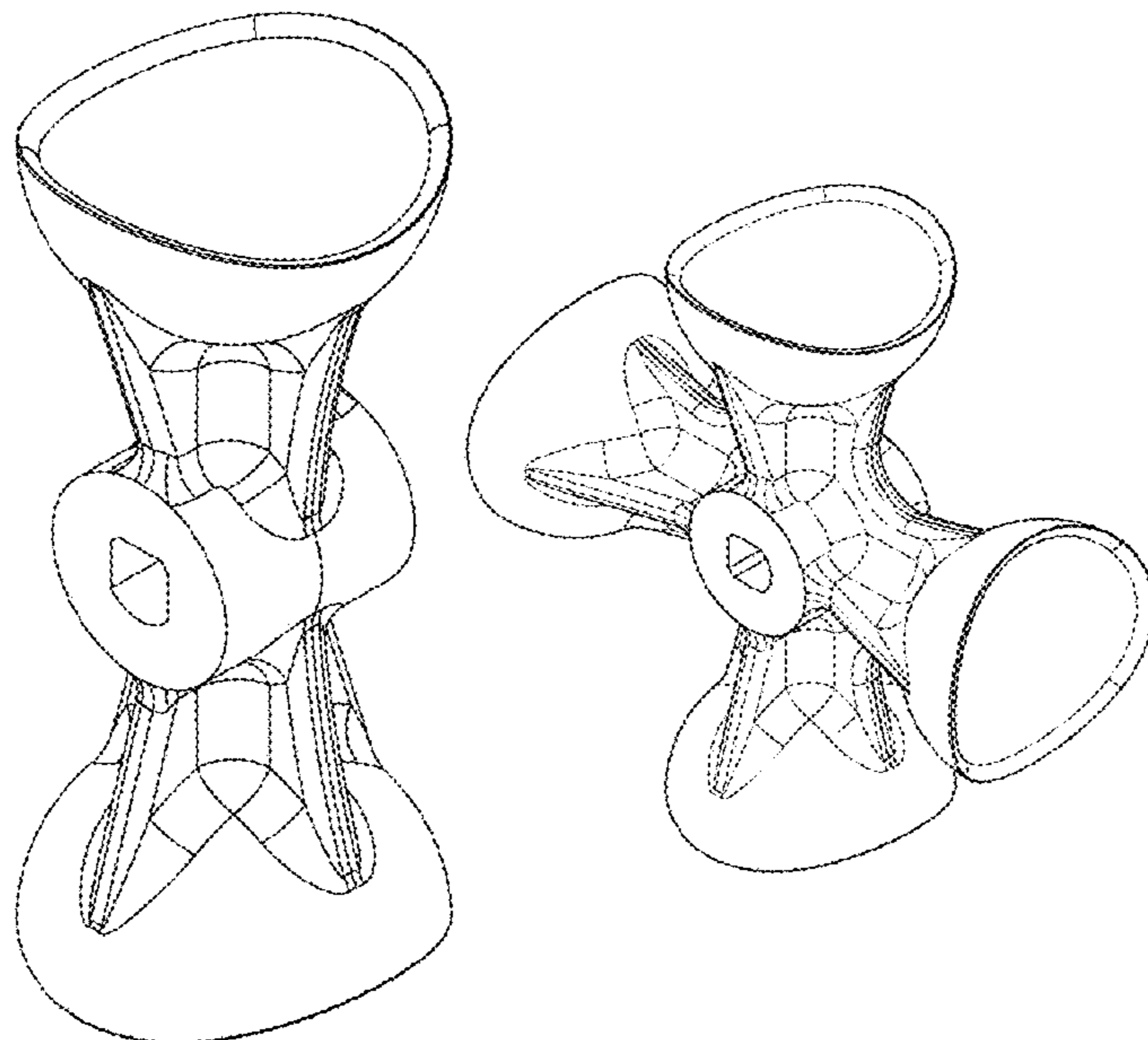
(57) **CLAIM**

The ornamental design for parts of a cup assembly for fruit juicer, as shown and described.

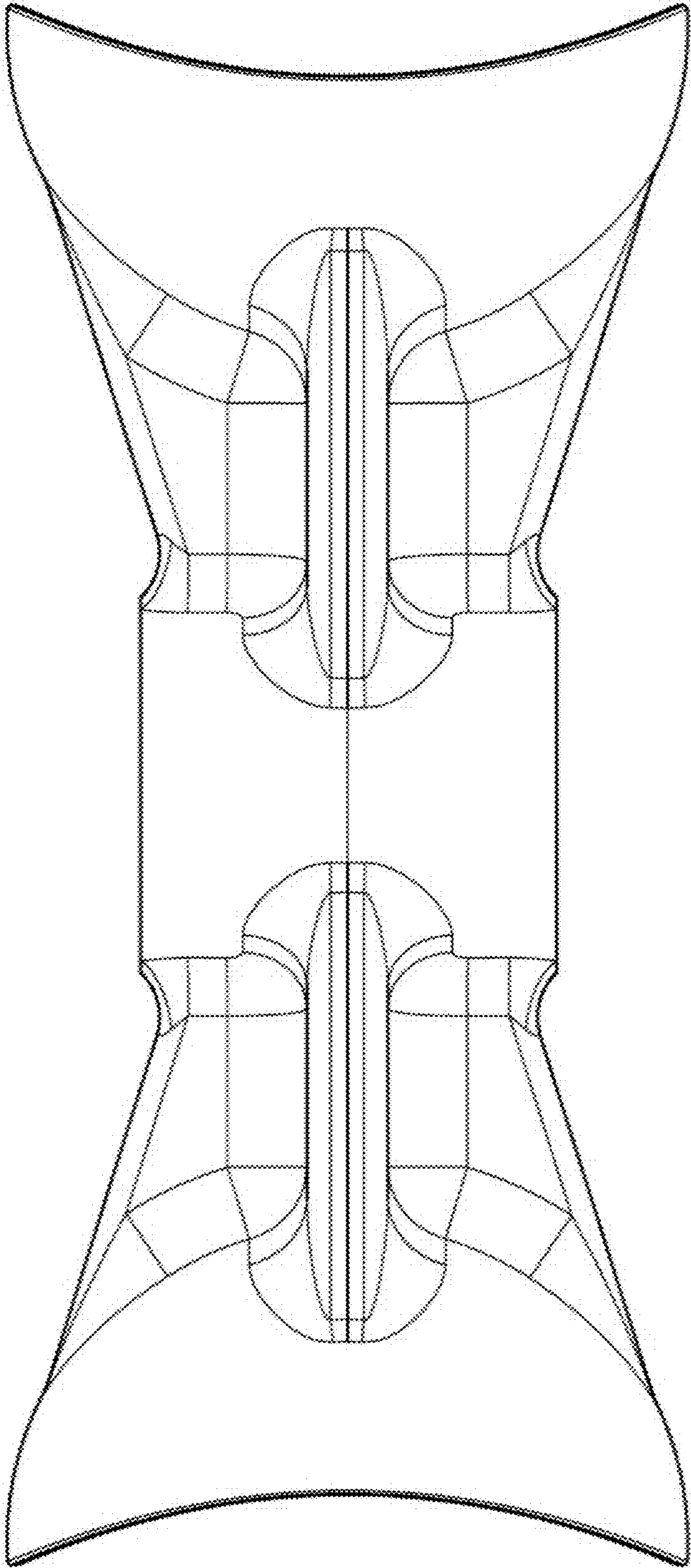
DESCRIPTION

1. Double cup assembly for fruit juicer
2. Four cup assembly for fruit juicer
3. Five cup assembly for fruit juicer
- 1.1 Left Side view of the first embodiment thereof;
- 1.2 Front view thereof;
- 1.3 Right Side view thereof;
- 1.4 Back view thereof;
- 1.5 Top view thereof;
- 1.6 Bottom view thereof; and
- 1.7 Perspective view thereof;
- 2.1 Left Side view of the second embodiment thereof;
- 2.2 Front view thereof;
- 2.3 Right Side view thereof;
- 2.4 Back view thereof;
- 2.5 Top view thereof;
- 2.6 Bottom view thereof; and
- 2.7 Perspective view thereof;
- 3.1 Left Side view of the third embodiment thereof;
- 3.2 Front view thereof;
- 3.3 Right Side view thereof;
- 3.4 Back view thereof;
- 3.5 Bottom view thereof;
- 3.6 Top view thereof; and
- 3.7 Perspective view thereof.

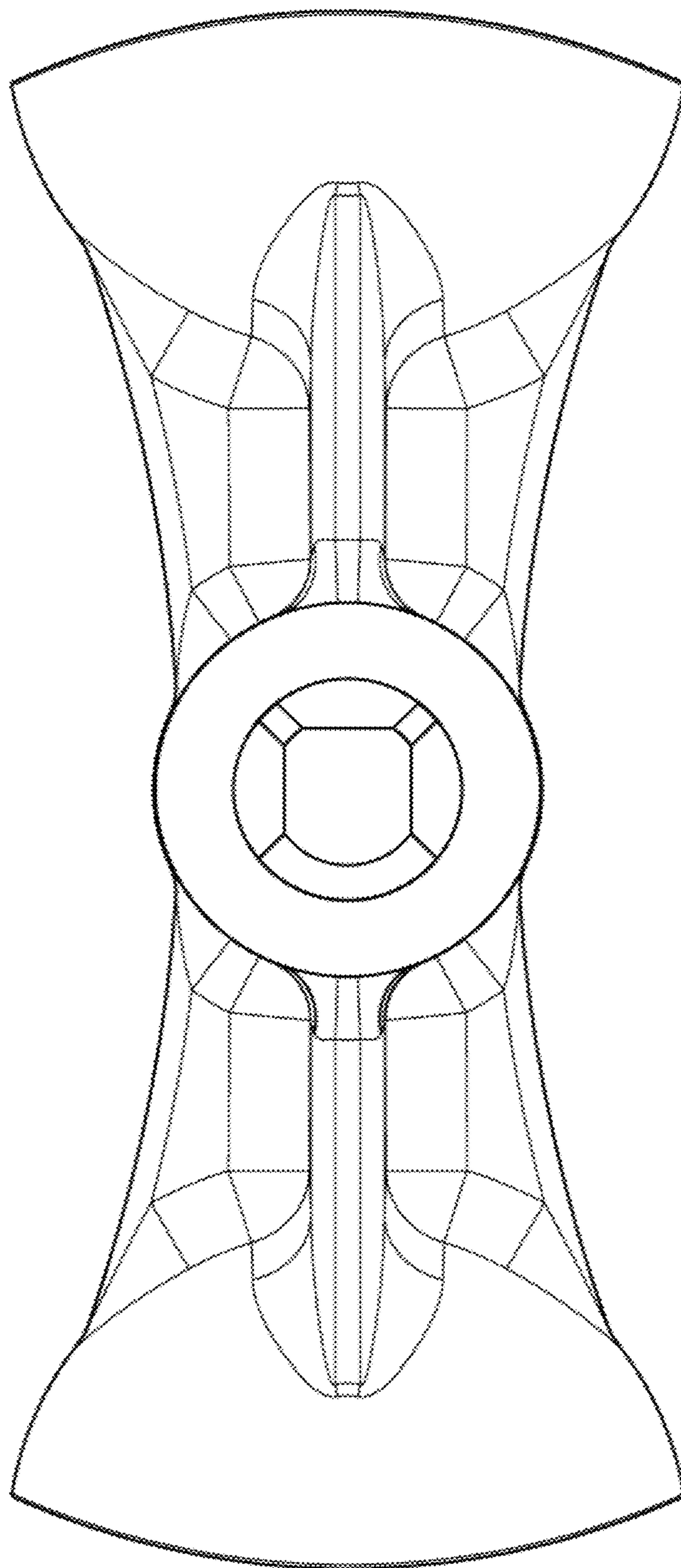
1 Claim, 21 Drawing Sheets



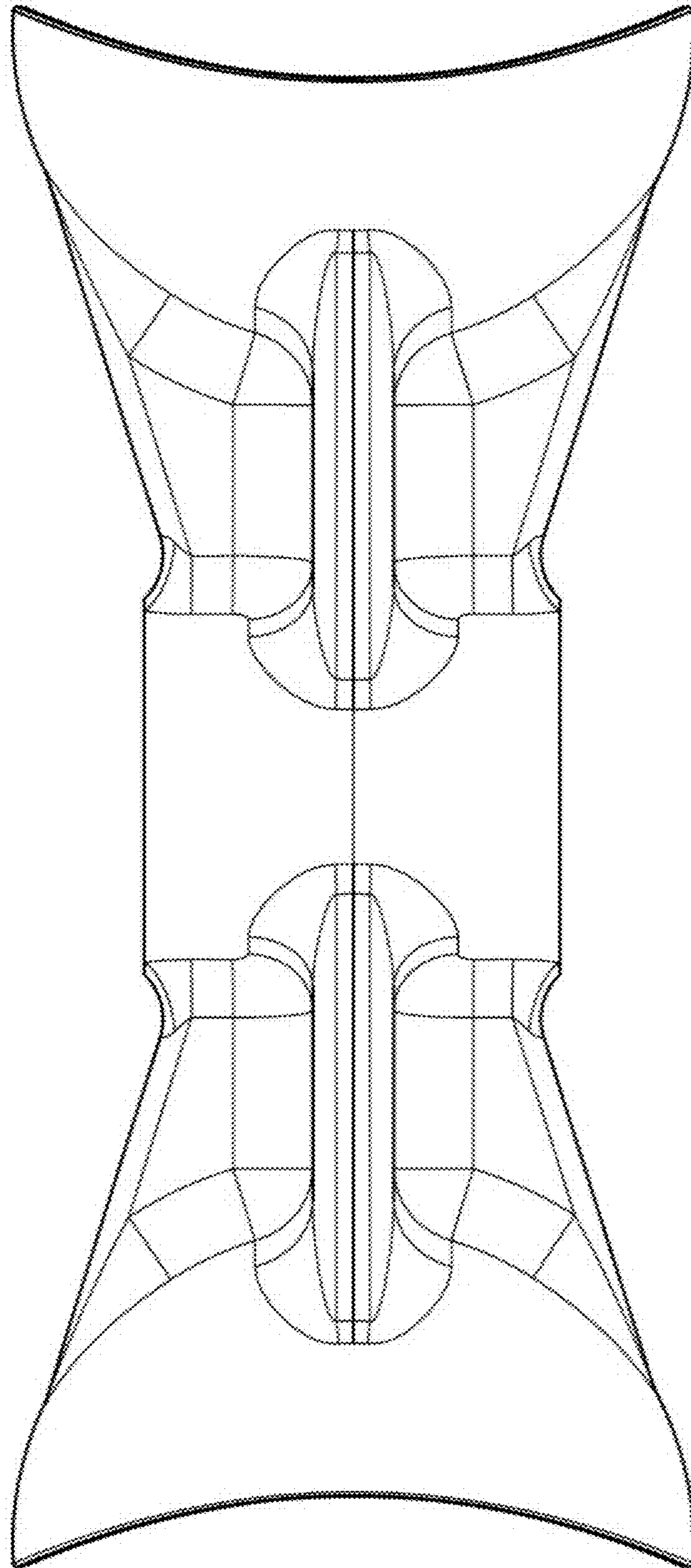
1.1



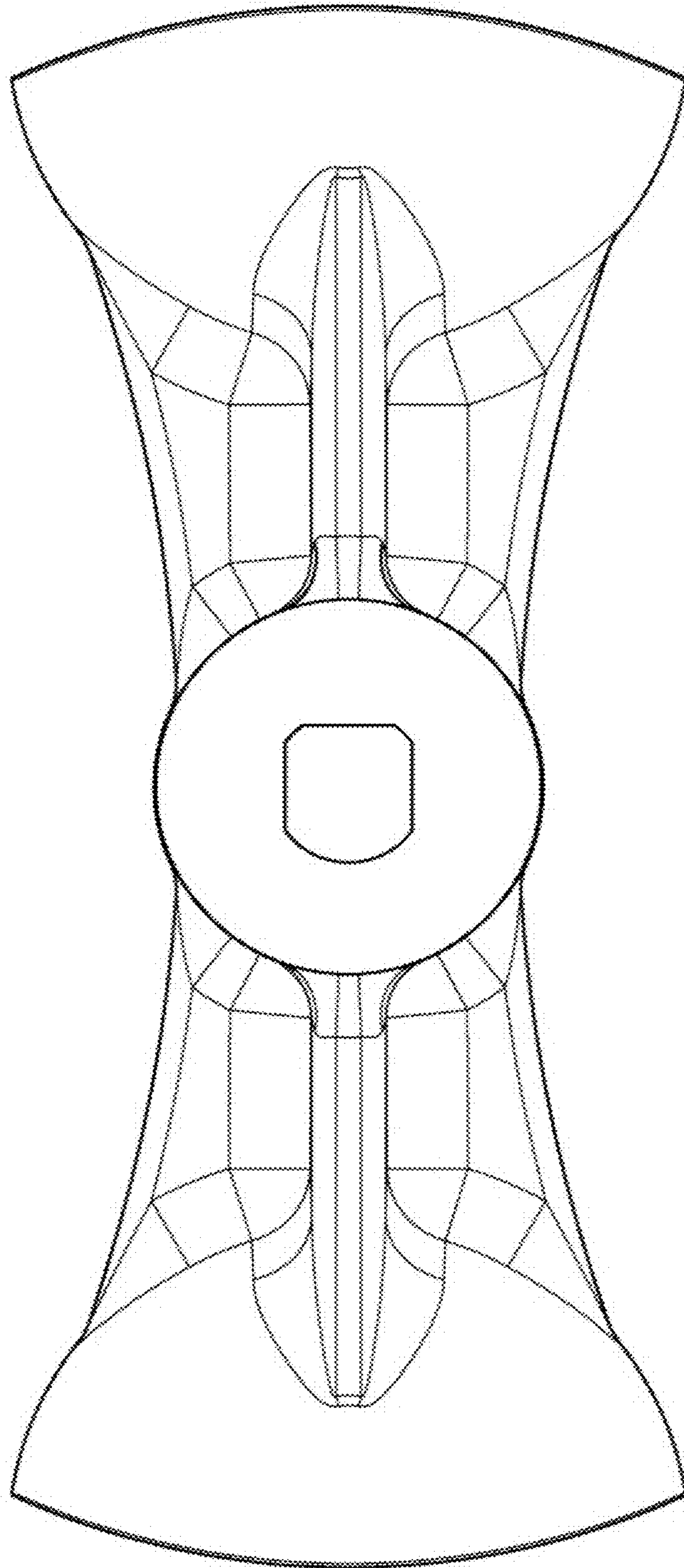
1.2



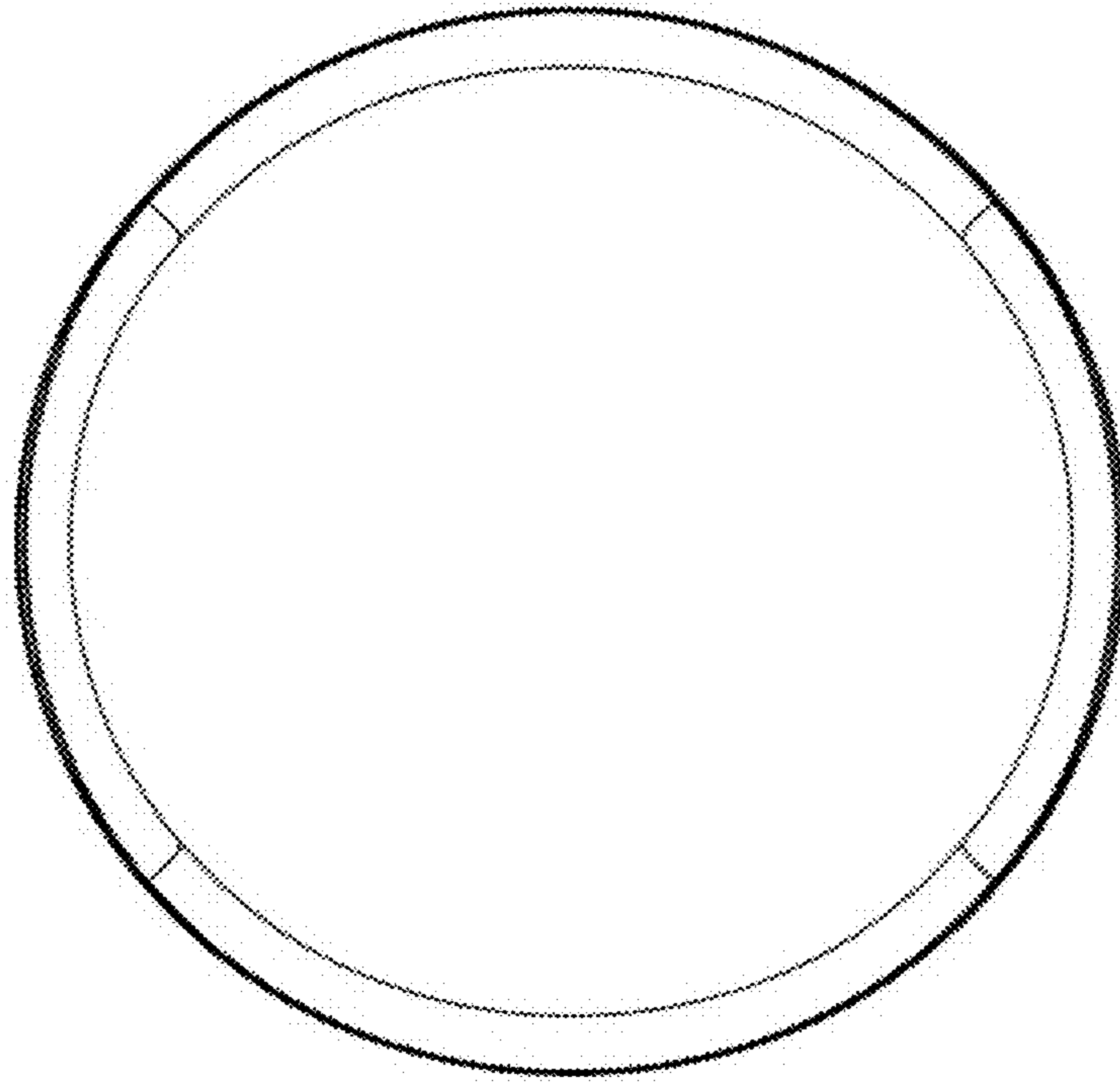
1.3



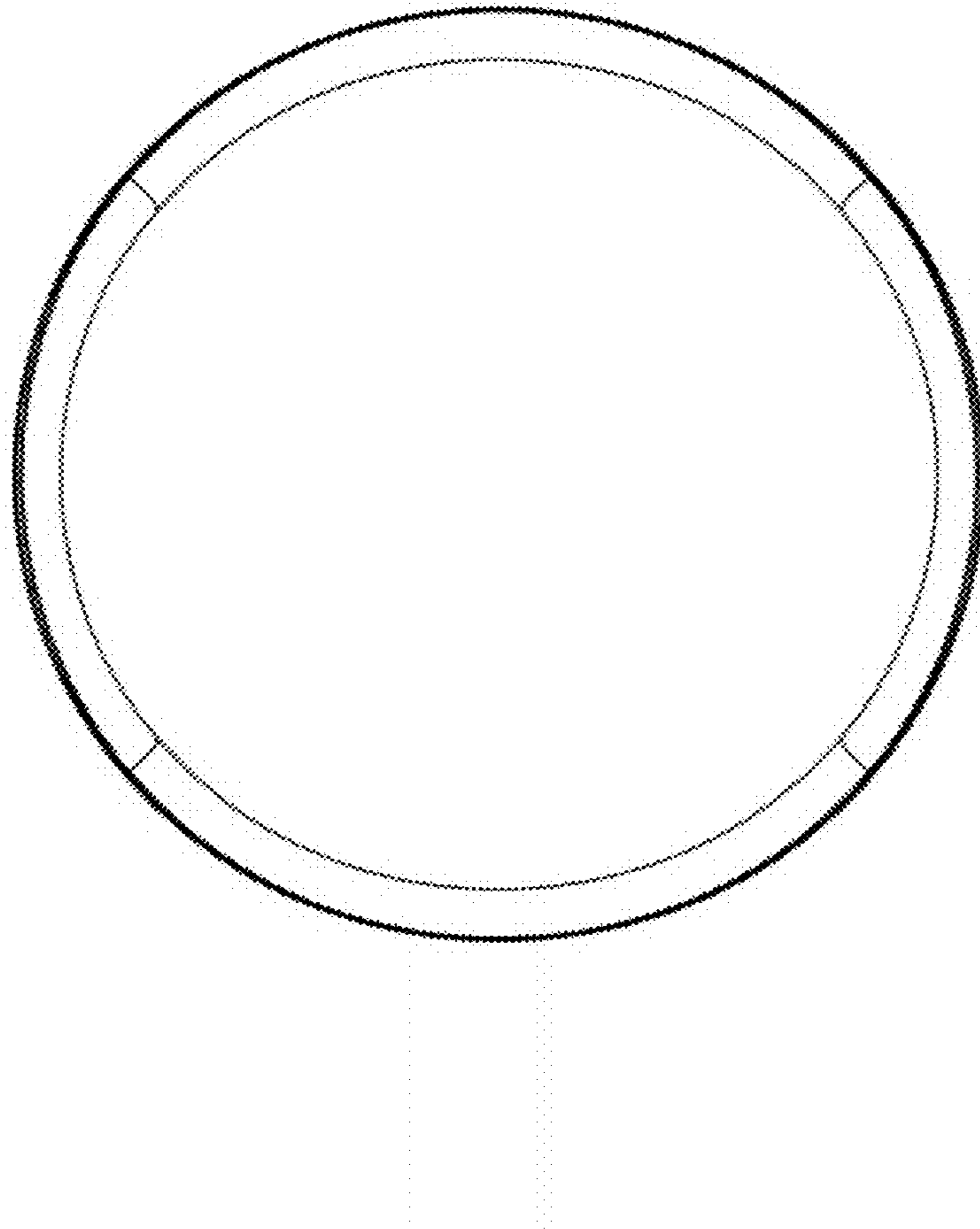
1.4



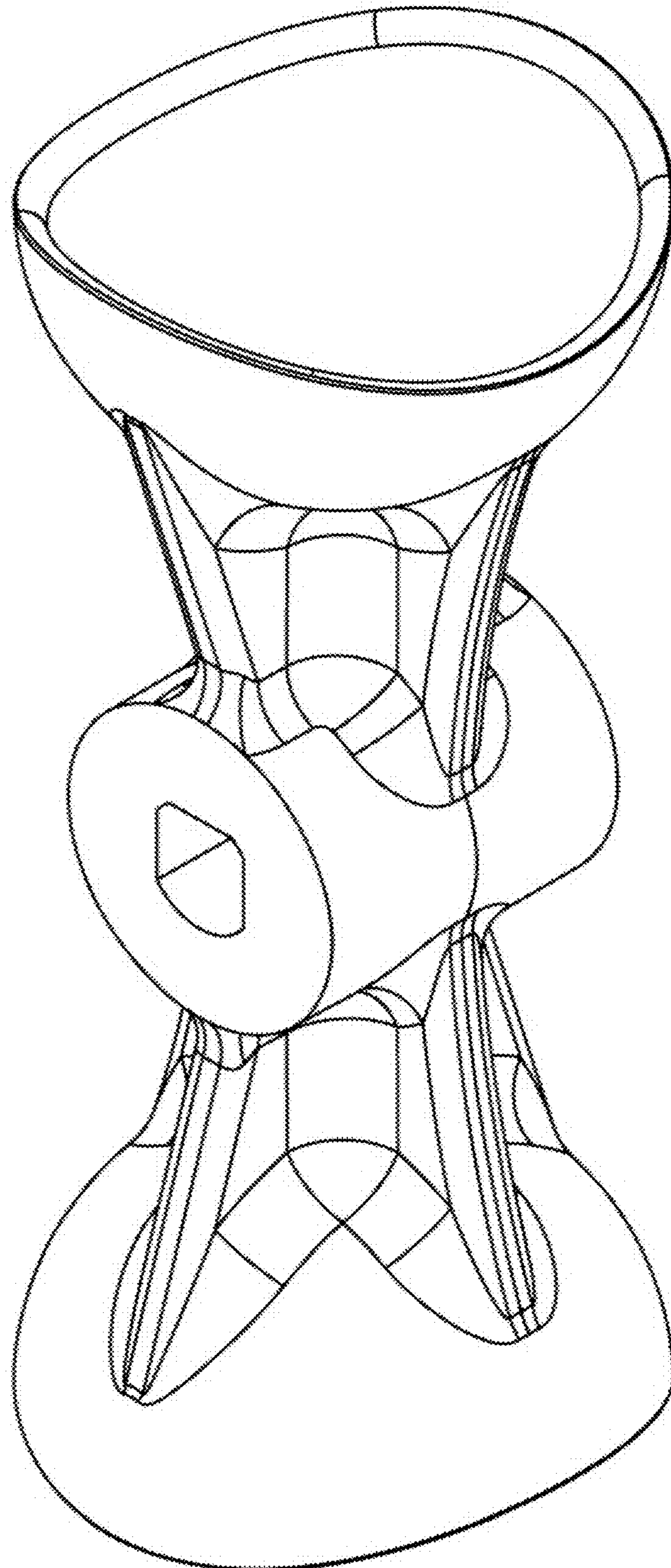
1.5



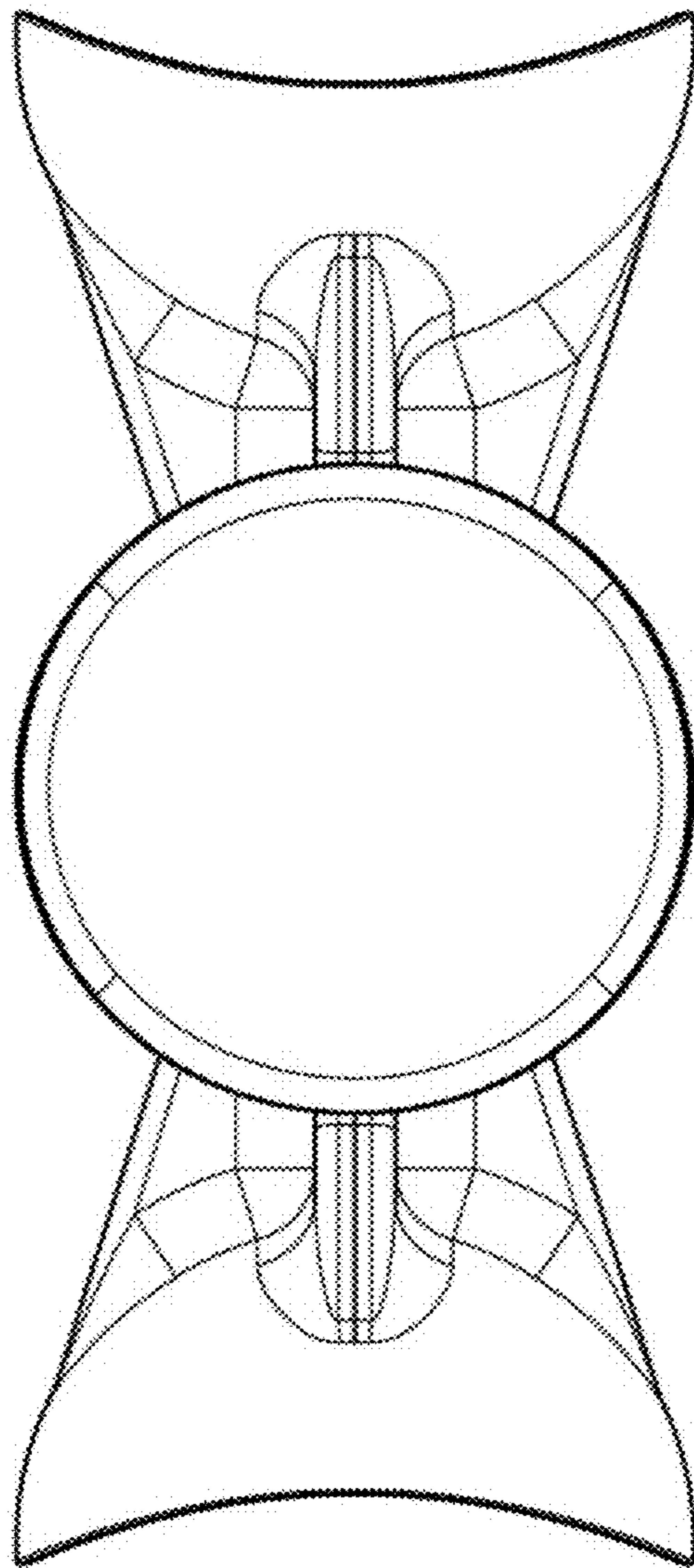
1.6



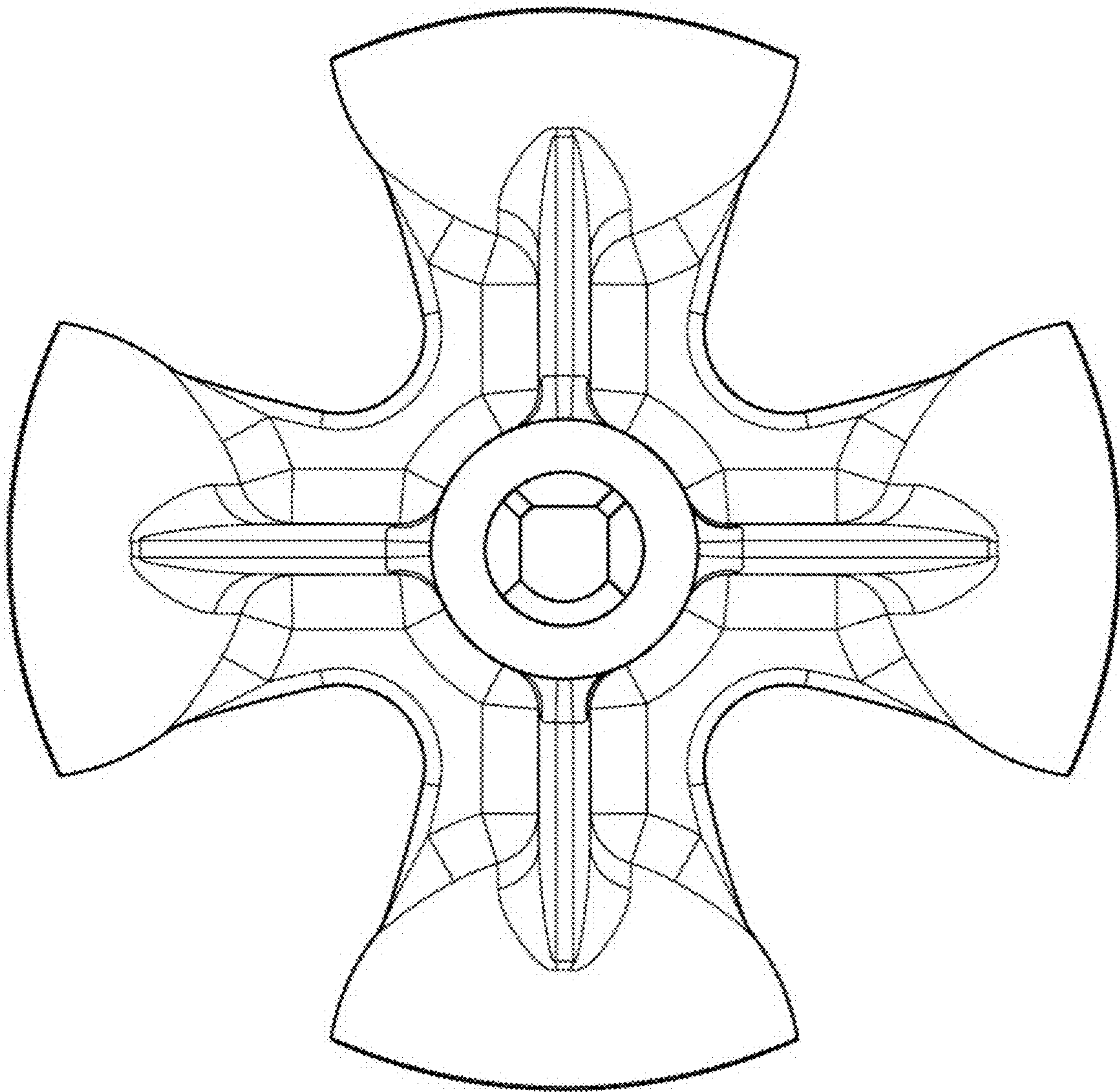
1.7



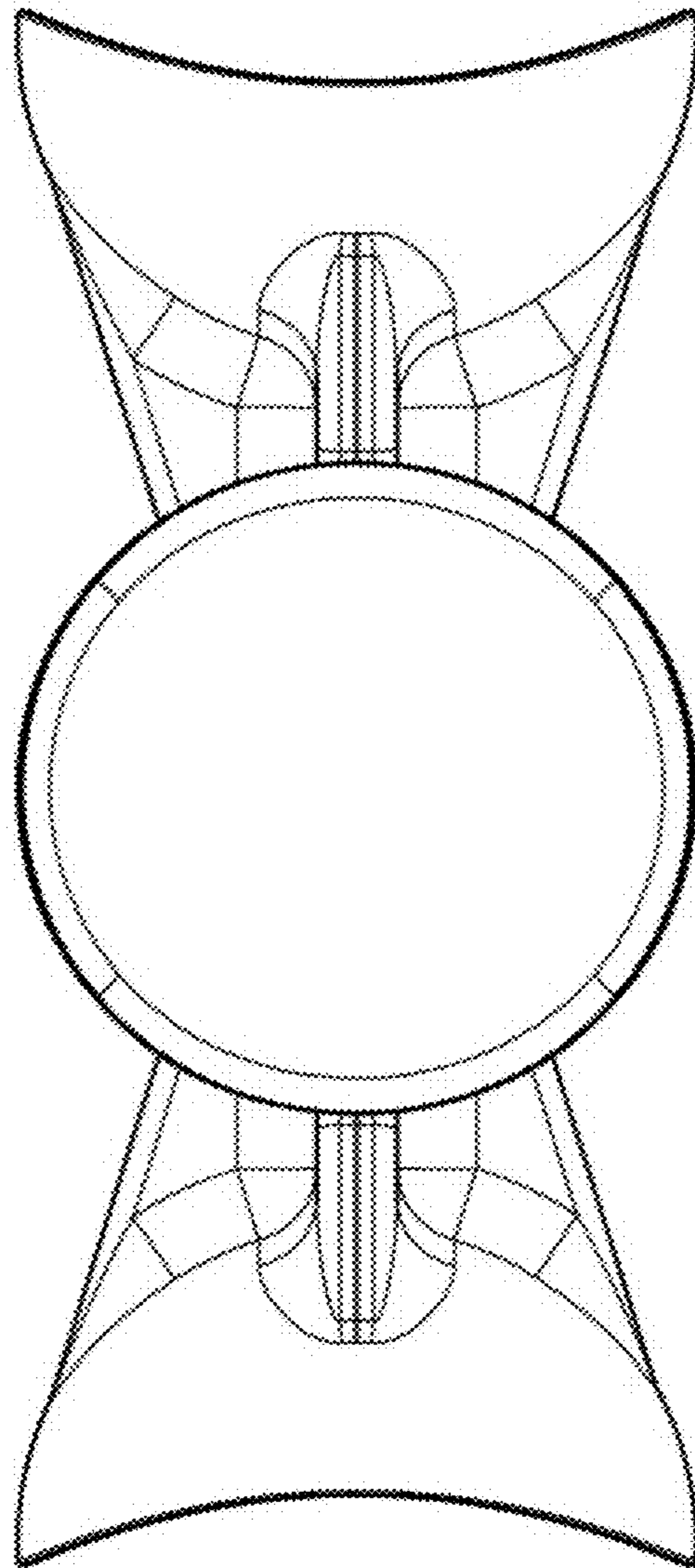
2.1



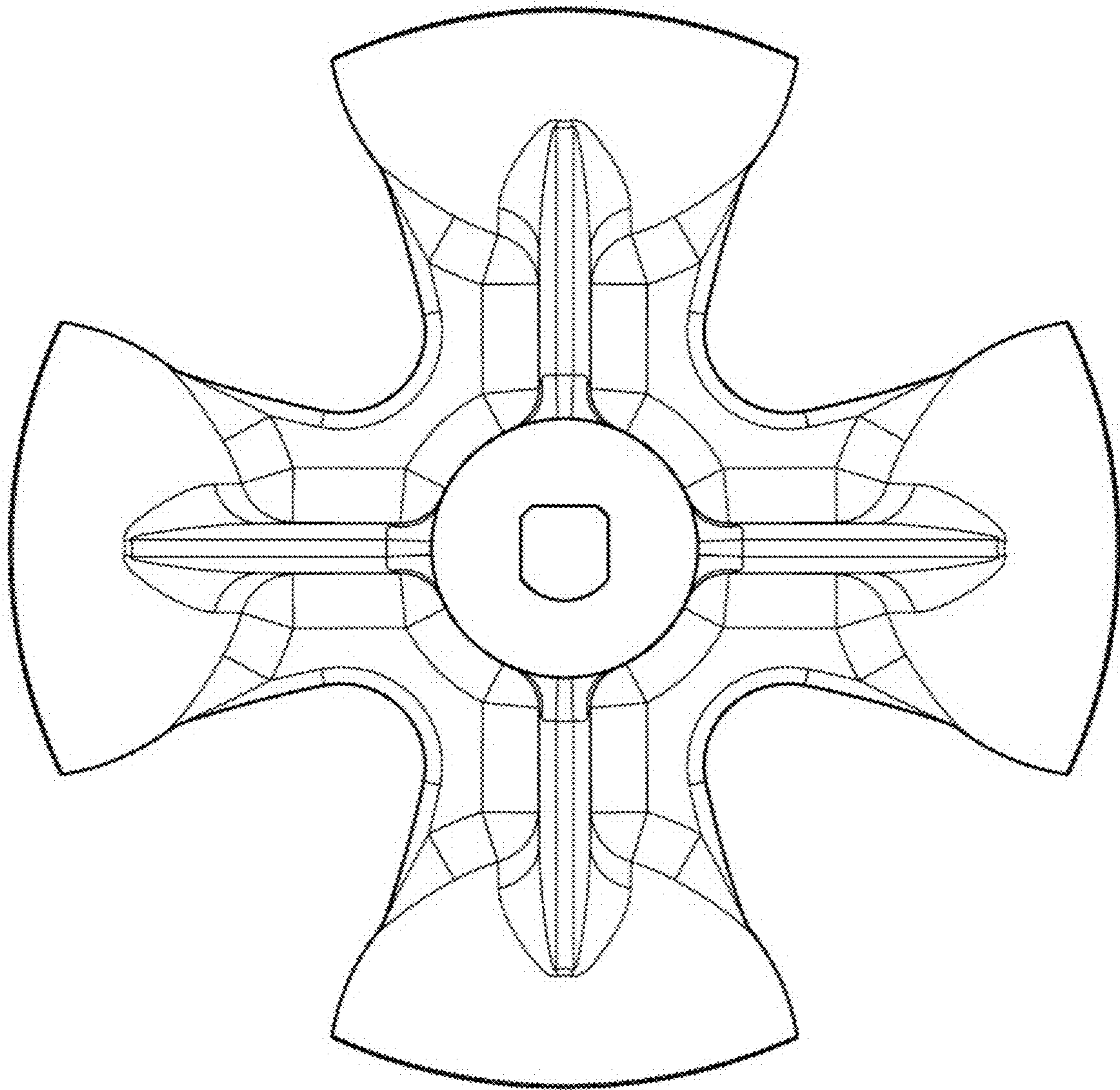
2.2



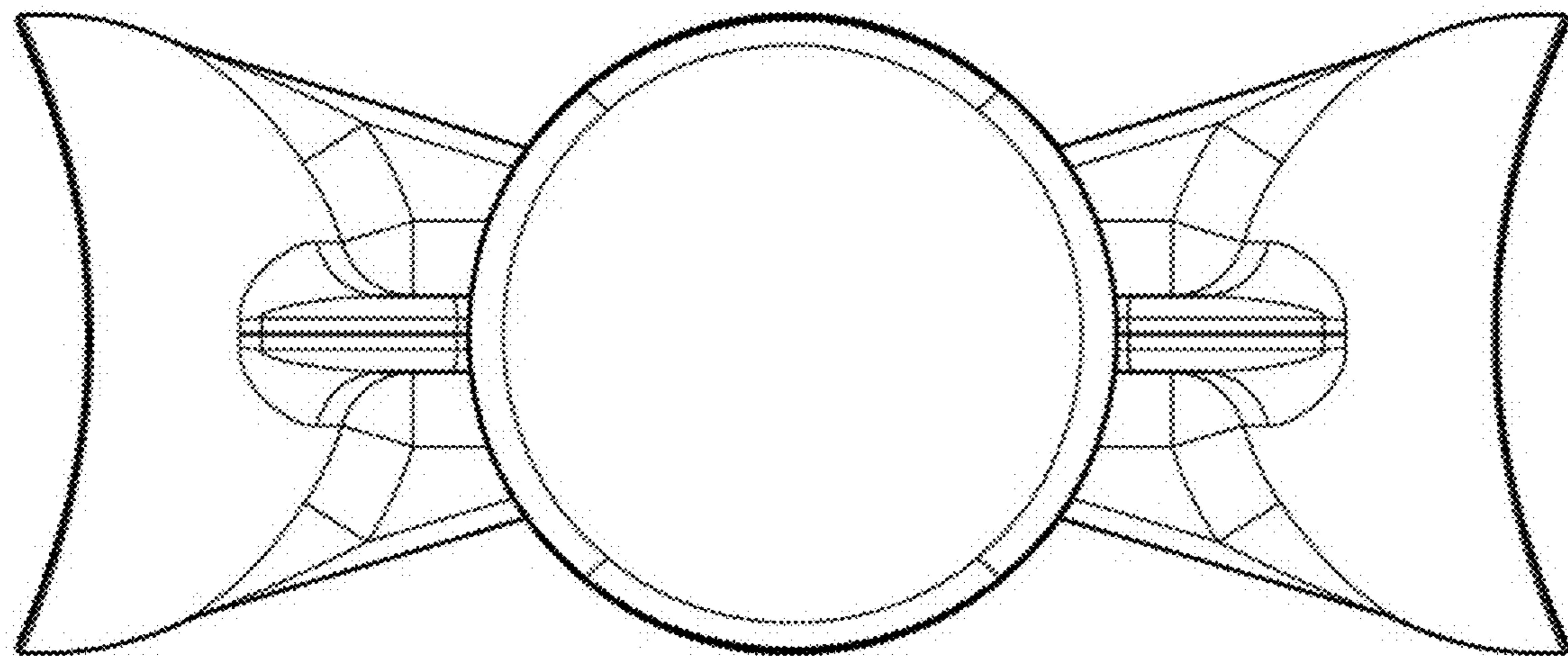
2.3



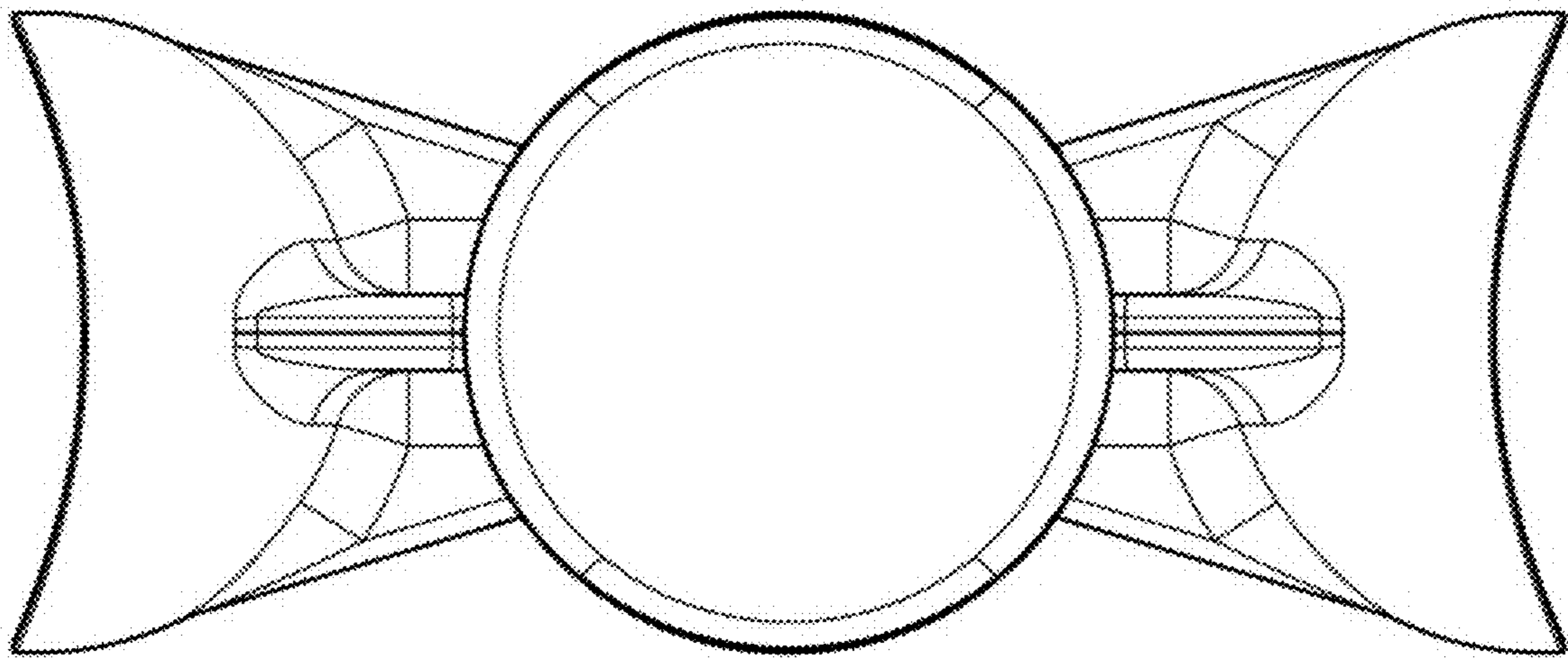
2.4



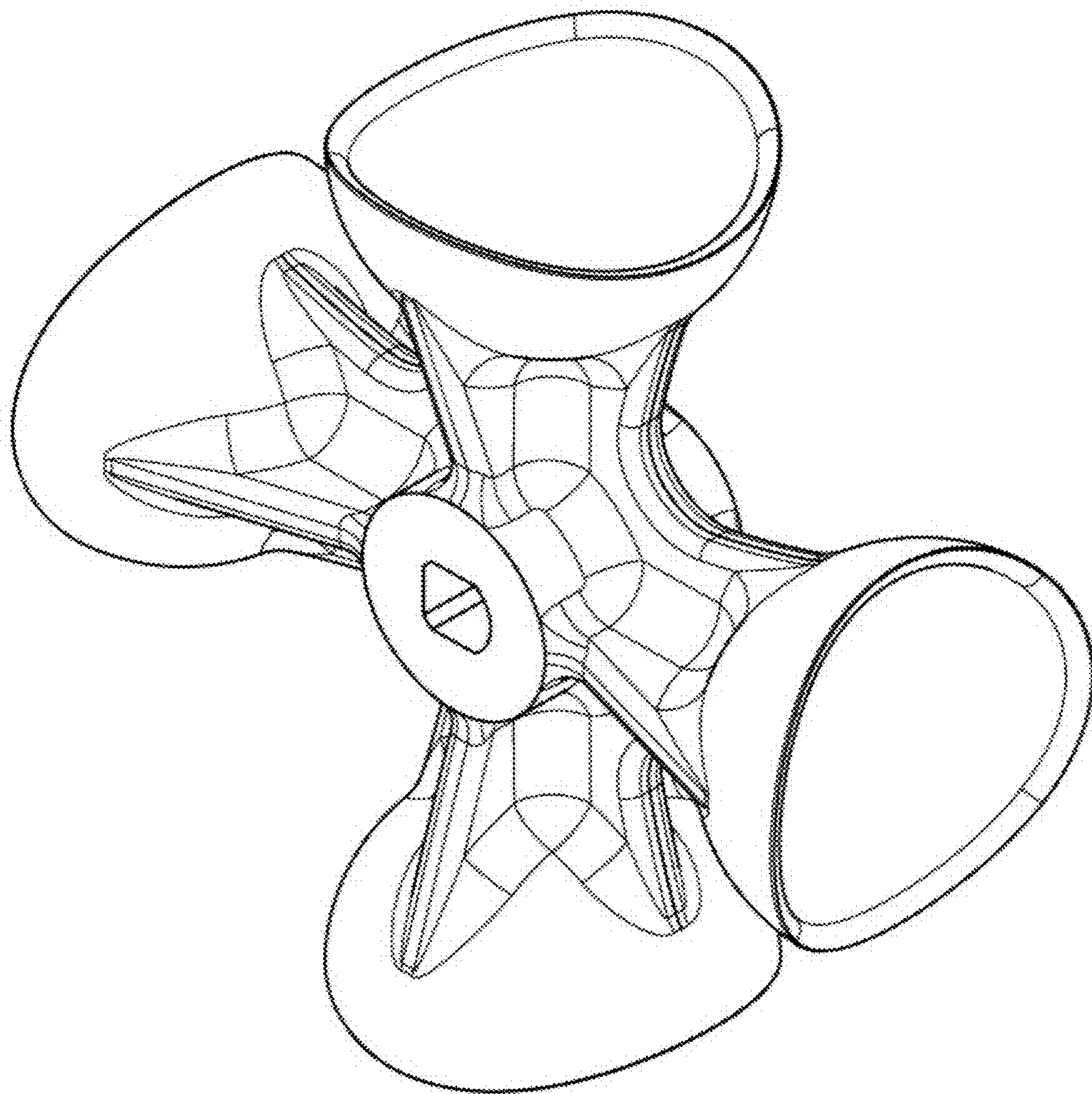
2.5



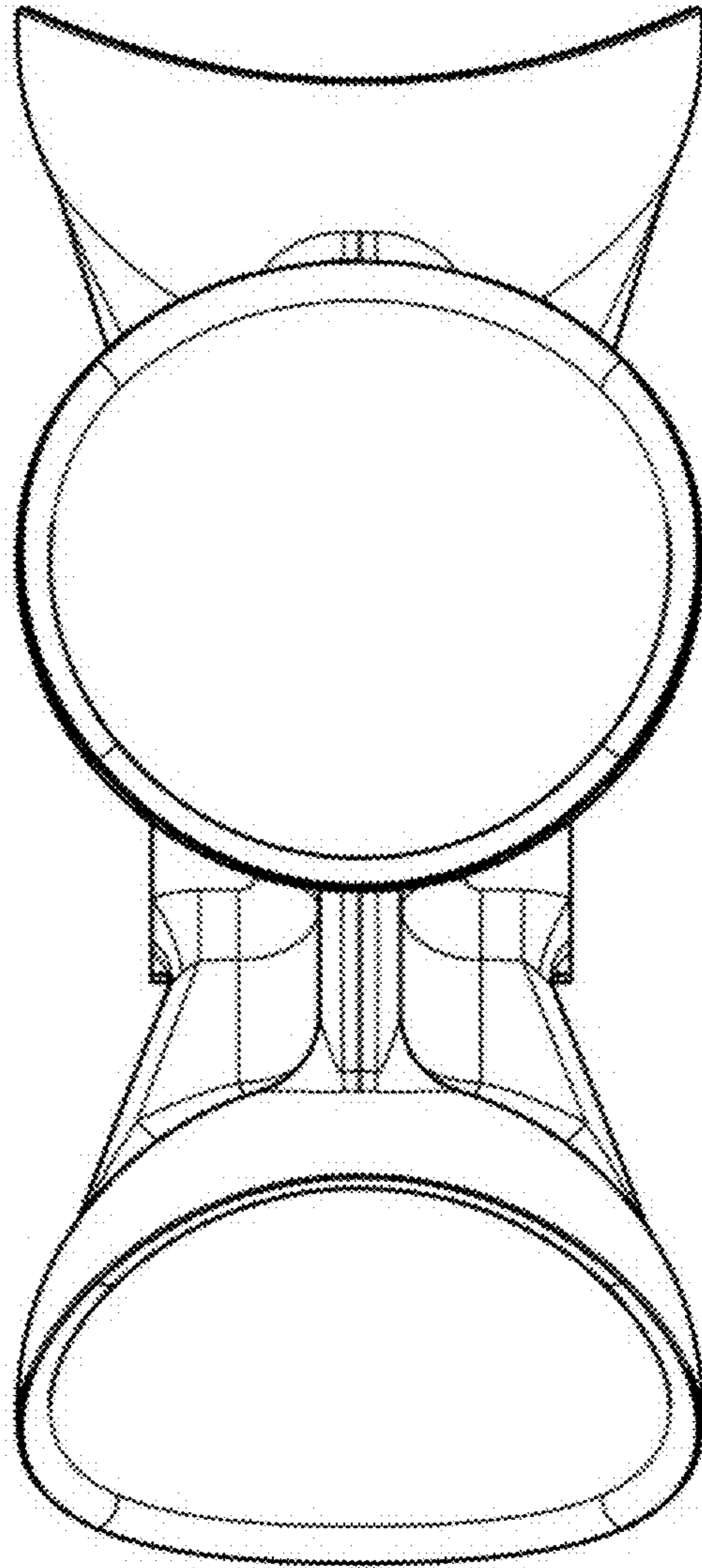
2.6



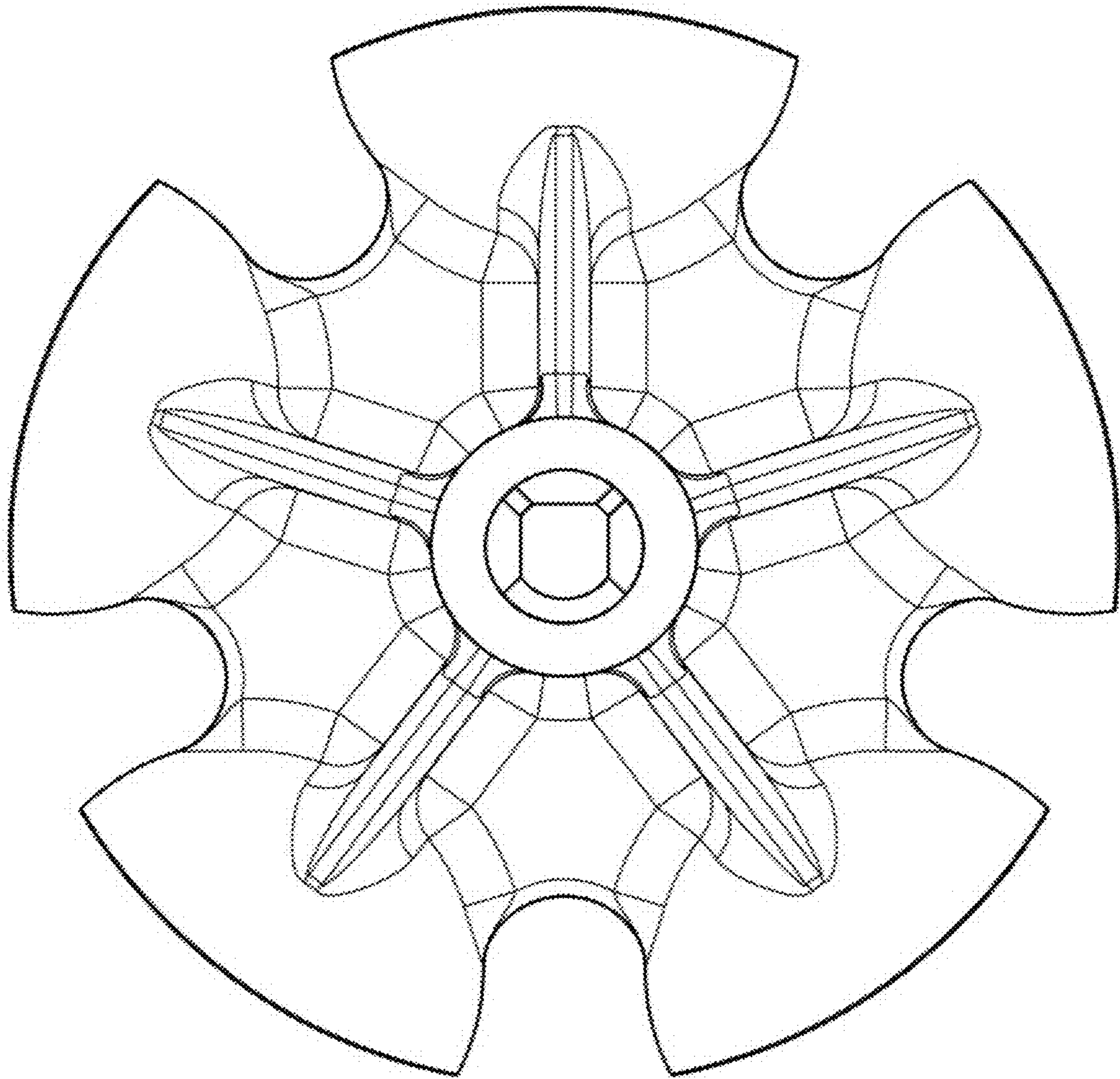
2.7



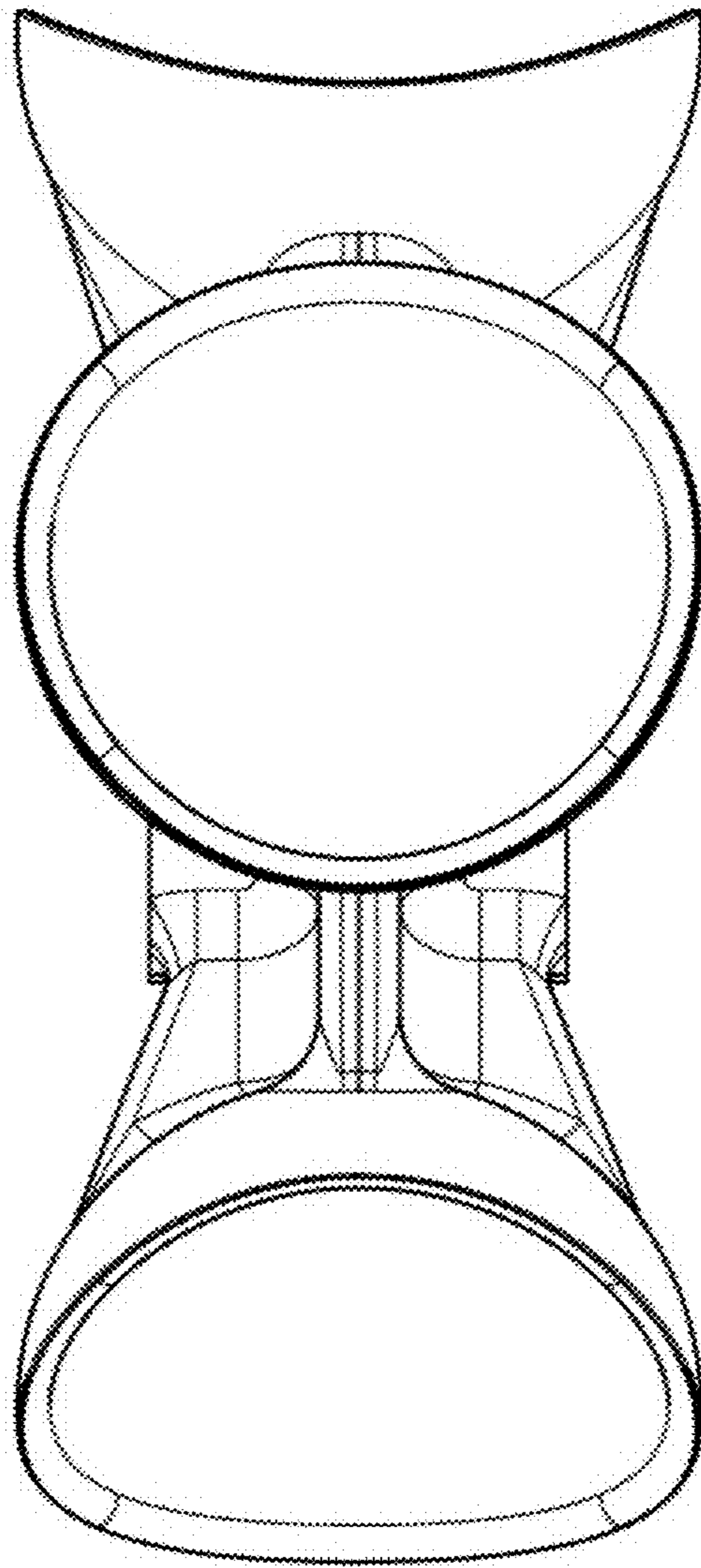
3.1



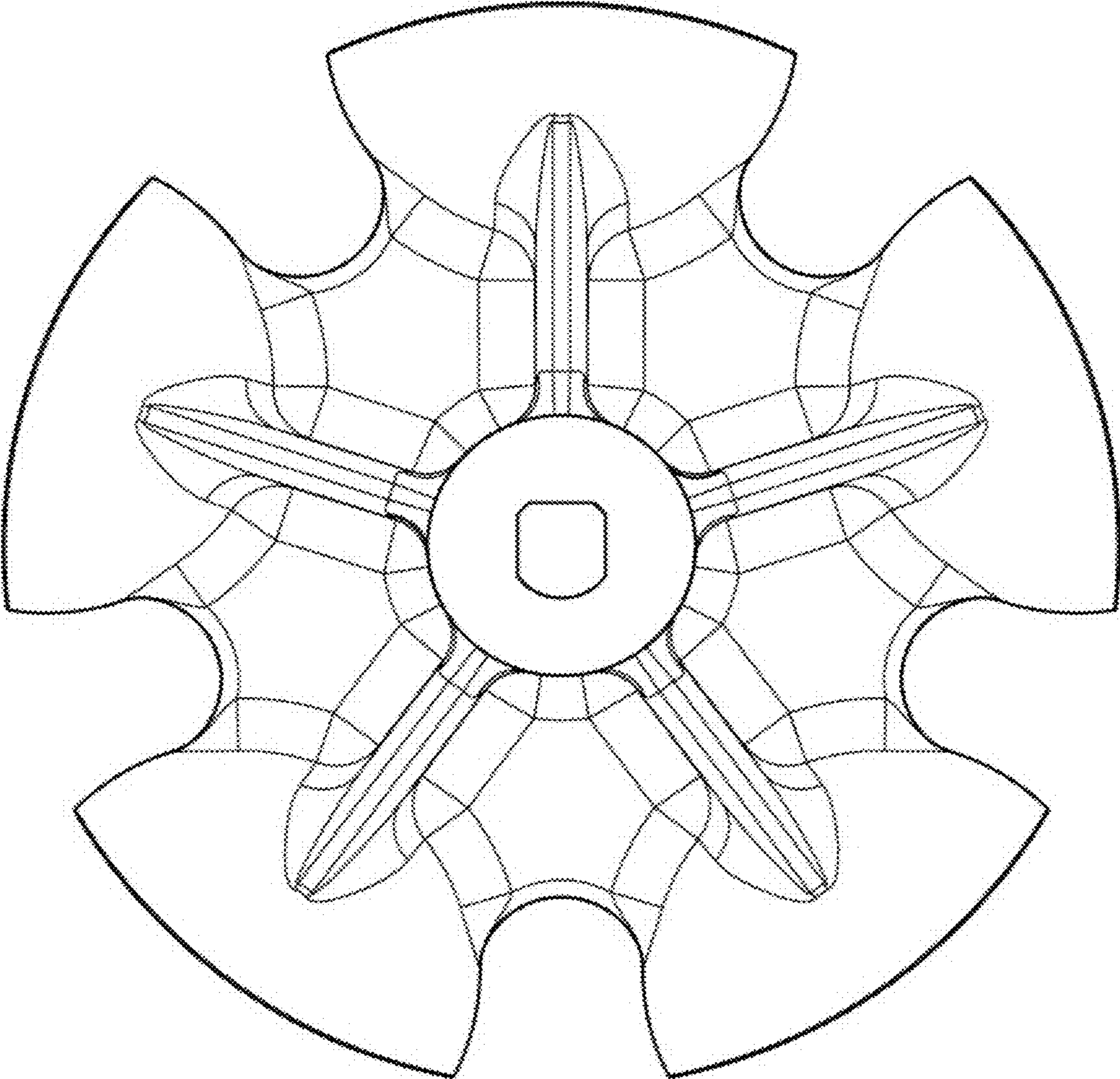
3.2



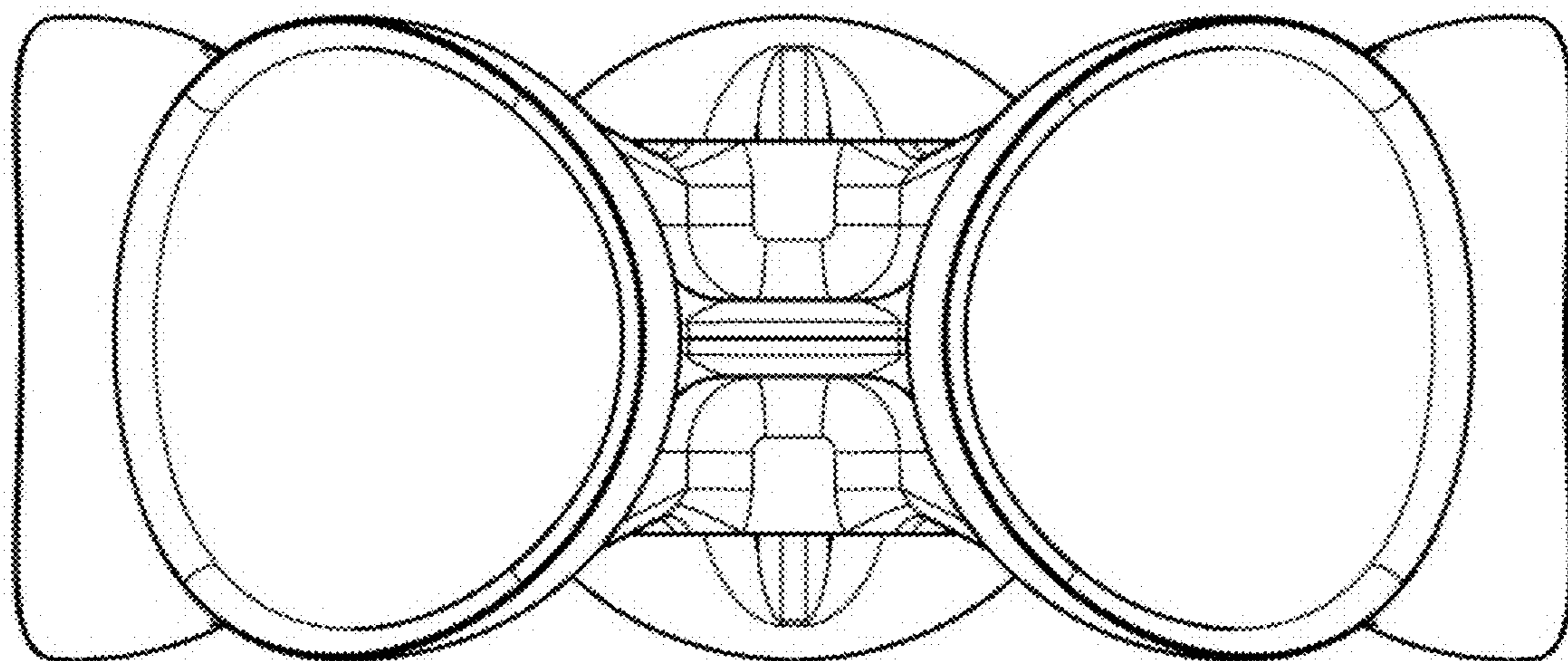
3.3



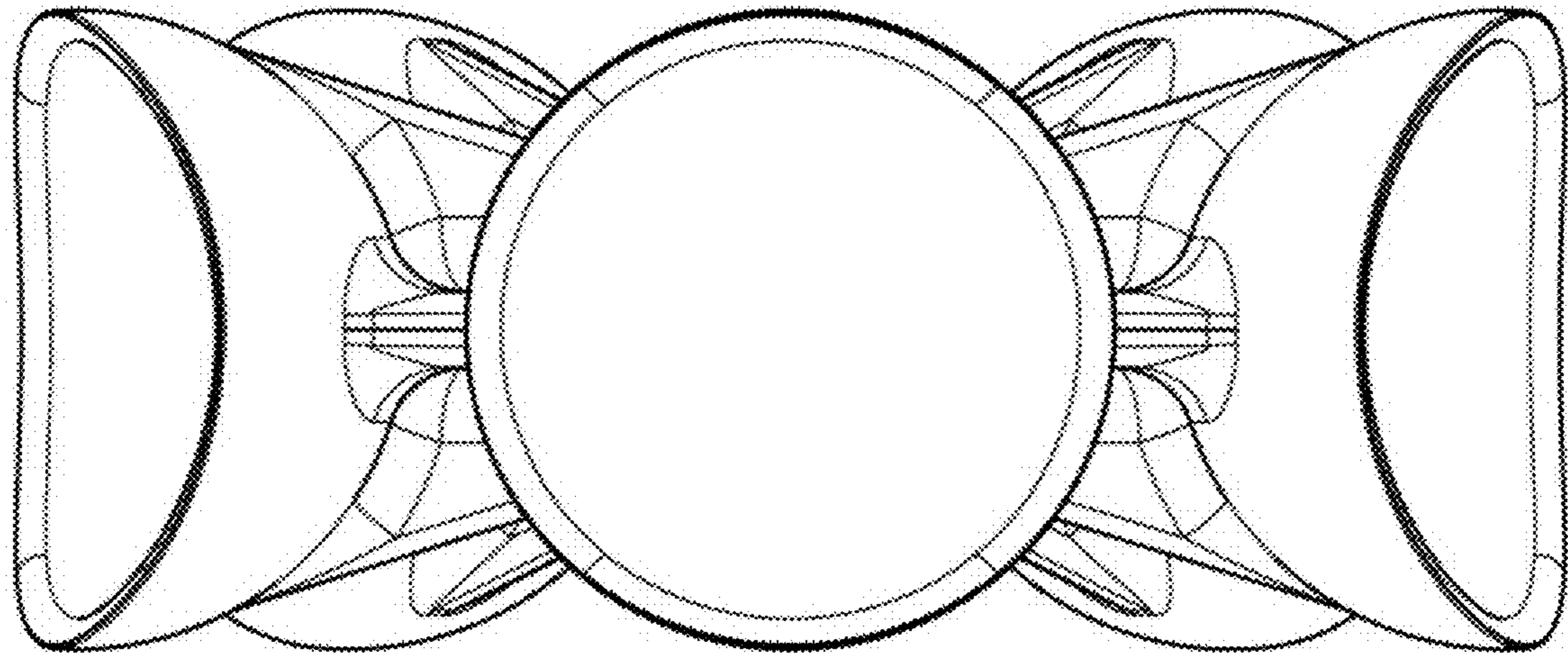
3.4



3.5



3.6



3.7

