



US00D900541S

(12) **United States Design Patent** (10) **Patent No.:** **US D900,541 S**
Inyang et al. (45) **Date of Patent:** **** Nov. 3, 2020**

(54) **LID FOR BEVERAGE CONTAINER**

(57) **CLAIM**

(71) Applicant: **Factory Enova, LLC**, Fountain Valley, CA (US)

The ornamental design for a lid for a beverage container, as shown and described.

(72) Inventors: **Seth Imo Inyang**, Fountain Valley, CA (US); **Arman Victor Bastani**, Santa Ana, CA (US); **Andrew Milton Wright**, Costa Mesa, CA (US); **Feifei Wang**, Tongkang (CN); **Vinh Lieu**, Fountain Valley, CA (US)

DESCRIPTION

(**) Term: **15 Years**

FIG. 1 is a front, right and top perspective view of a lid for a beverage container, showing our new design;
FIG. 2 is a top plan view thereof;
FIG. 3 is a right side elevational view thereof, the left side, front, and rear elevational views being identical;
FIG. 4 is a cross-sectional right side view thereof, taken in the direction of line 4-4 on FIG. 2;
FIG. 5 is a bottom plan view thereof;
FIG. 6 is a right side elevational view of the lid for the beverage container, showing the lid in a position of use with environmental subject matter of an exemplary gasket;
FIG. 7 is a right side elevational view thereof, showing the lid in a position of use with environmental subject matter of exemplary threads;
FIG. 8 is a top plan view of the lid for beverage container, showing the lid in a position of use with environmental subject matter of an exemplary plug covering an opening in the lid;
FIG. 9 is a top plan view thereof, which includes the exemplary plug rotated to uncover the opening in the lid;
FIG. 10 is a bottom plan view of the lid for the beverage container, shown in a position of use with exemplary environmental subject matter of a beverage container;
FIG. 11 is a front, right and top perspective view thereof;
FIG. 12 is a front, right and top perspective view thereof, shown in a position of use with an exemplary plug; and,
FIG. 13 is a right side elevational view of FIG. 11.
The broken lines are shown for the purpose of illustrating parts of the article as well as exemplary environmental subject matter. None of the broken lines form part of the claimed design.
The dash-dot lines are included to represent the boundaries of the claimed design and form no part of the claimed design.

(21) Appl. No.: **29/686,911**

(22) Filed: **Apr. 9, 2019**

(51) **LOC (12) Cl.** **07-99**

(52) **U.S. Cl.**
USPC **D7/396.2**

(58) **Field of Classification Search**
USPC D7/500, 509, 510, 550.1, 553.1, 553.2, D7/553.6, 354, 357, 387, 388, 391, 392,
(Continued)

(56) **References Cited**

U.S. PATENT DOCUMENTS

D516,424 S * 3/2006 Schweigert D9/447
D609,046 S * 2/2010 Valderrama D7/392.1
D656,360 S 3/2012 Miller et al.
D658,059 S * 4/2012 Bailey D9/447
D734,092 S * 7/2015 Kristinik D7/392.1
(Continued)

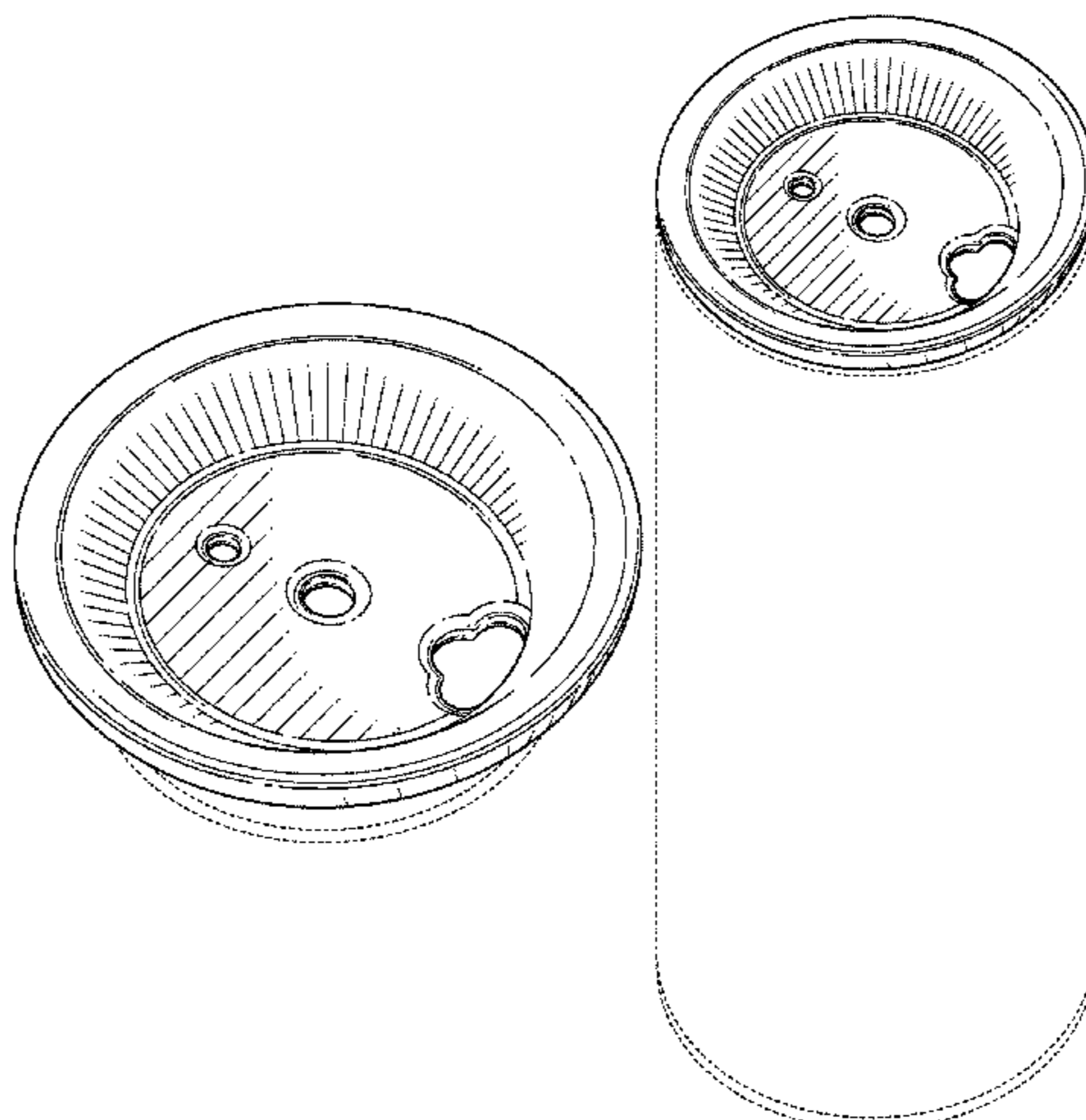
FOREIGN PATENT DOCUMENTS

WO WO-2013090803 A1 * 6/2013 B65D 47/06
WO WO-2015170302 A2 * 11/2015 B65D 47/32

Primary Examiner — Catherine S Posthauer

(74) *Attorney, Agent, or Firm* — Young's Patent Services, LLC; Bruce A Young

1 Claim, 7 Drawing Sheets



(58) **Field of Classification Search**

USPC D7/392.1, 396.1, 396.2, 396.3, 396.6,
D7/397; D9/434, 435, 436, 438, 445,
D9/447, 449, 454; D23/206, 209, 259,
D23/260, 261
CPC A47G 19/2272; A47G 19/2211;
B65D 43/02; B65D 43/0214; B65D
43/0202; B65D 41/34; B65D 53/02;
B65D 50/041; B65D 2501/00; B65D
2501/0009; B65D 47/06; B65D 47/08;
B65D 47/36; B65D 47/247; B65D
47/265; B65D 47/283; B65D 47/065;
B65D 47/361; B65D 43/0218; B65D
2231/022; B65D 2543/00046; B65D
2543/00351; A61J 1/16; F16B 47/00

See application file for complete search history.

(56)

References Cited

U.S. PATENT DOCUMENTS

9,114,920	B1 *	8/2015	Edelman	B65D 51/2835
D766,652	S	9/2016	Joseph et al.	
D784,072	S	4/2017	Baron et al.	
D788,583	S	6/2017	Tu	
D789,140	S	6/2017	Joseph	
D792,738	S *	7/2017	Savenok	D7/392.1
9,908,667	B1 *	3/2018	Smith	A47G 19/2272
D815,487	S	4/2018	Chitayat et al.	
D845,064	S *	4/2019	Mulhauser	D7/392.1
D867,134	S *	11/2019	Savenok	D9/447
2018/0042413	A1 *	2/2018	Althaher	B65D 43/0214
2018/0206660	A1 *	7/2018	Heiman	A47G 19/2272
2019/0039788	A1 *	2/2019	Chambers	B65D 43/0212

* cited by examiner

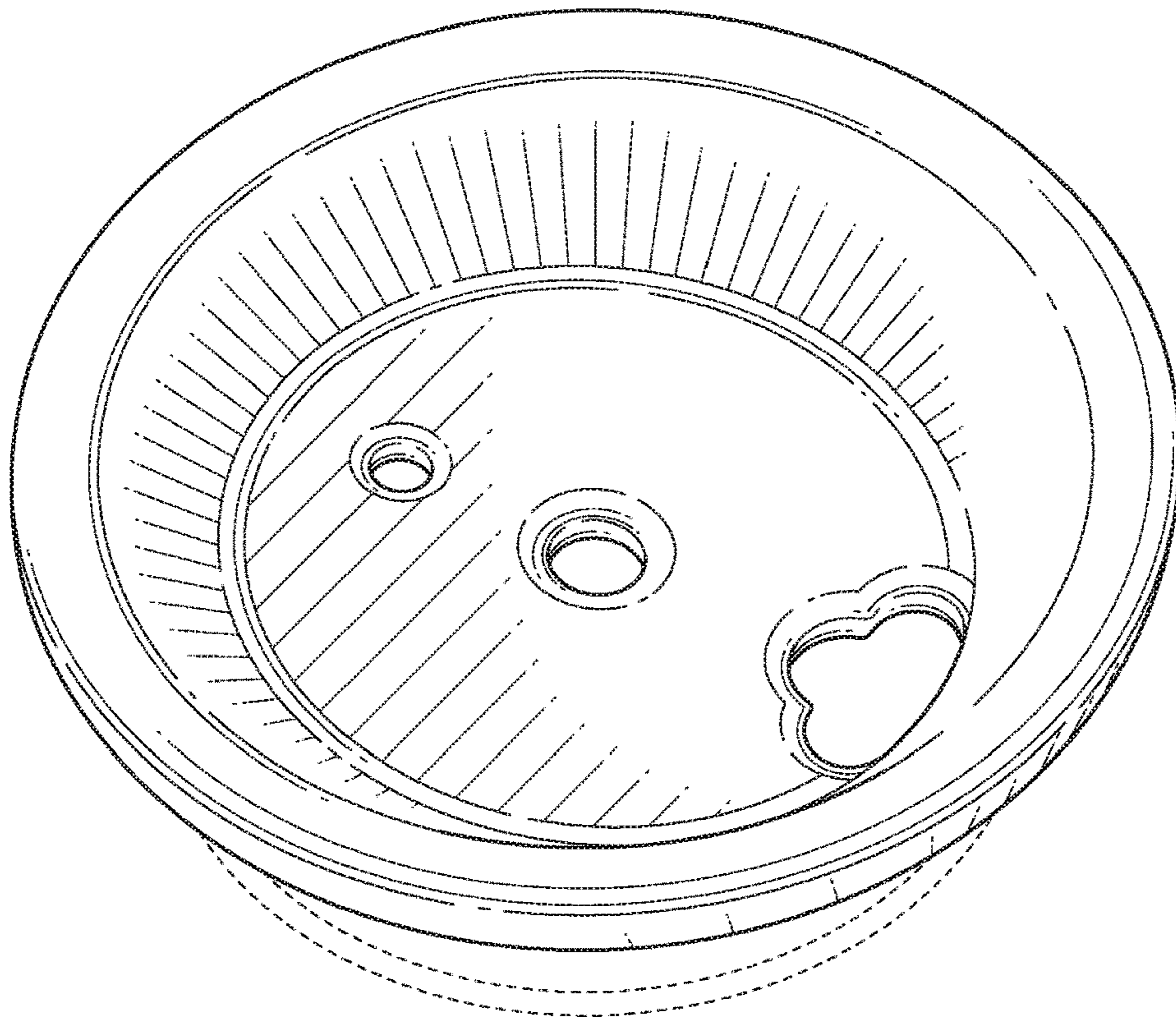


FIG. 1

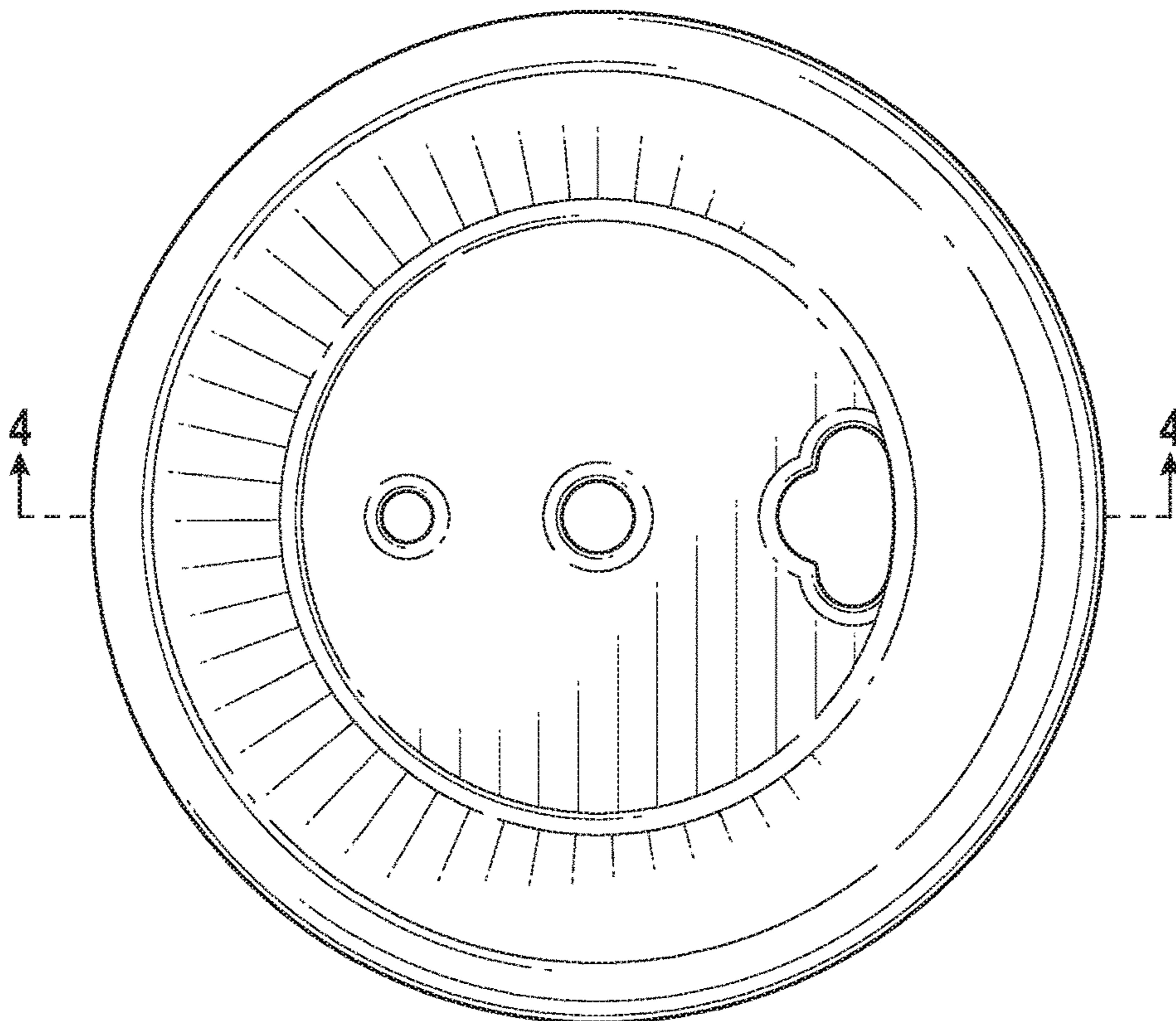


FIG. 2

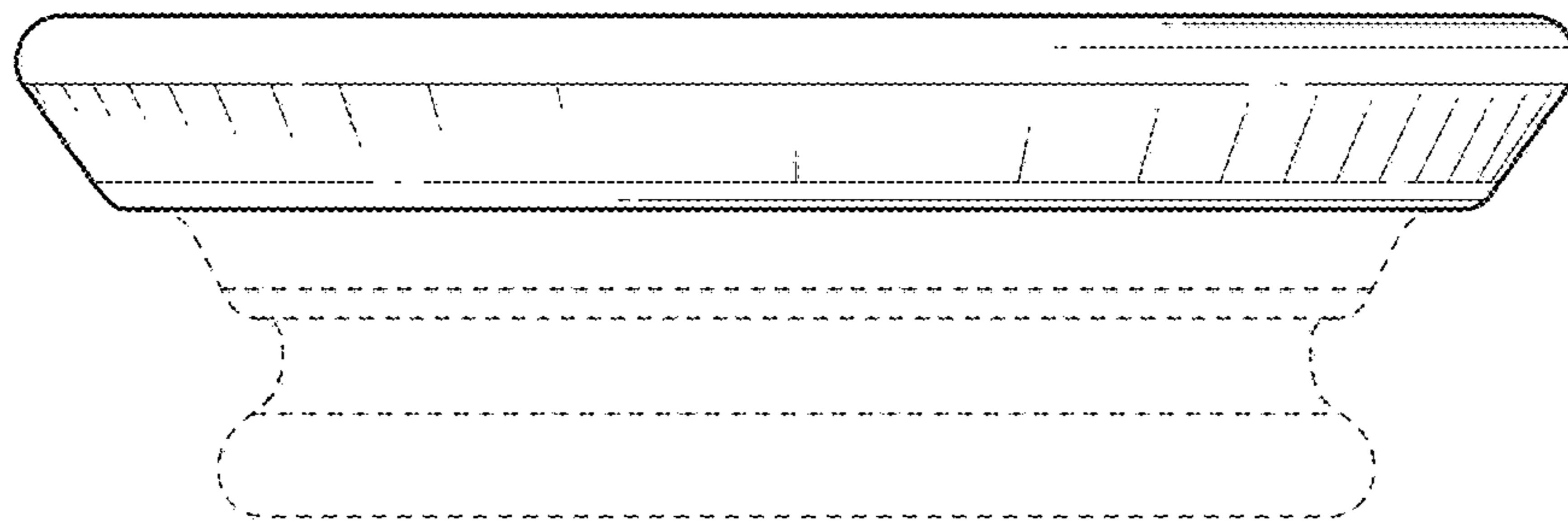


FIG. 3

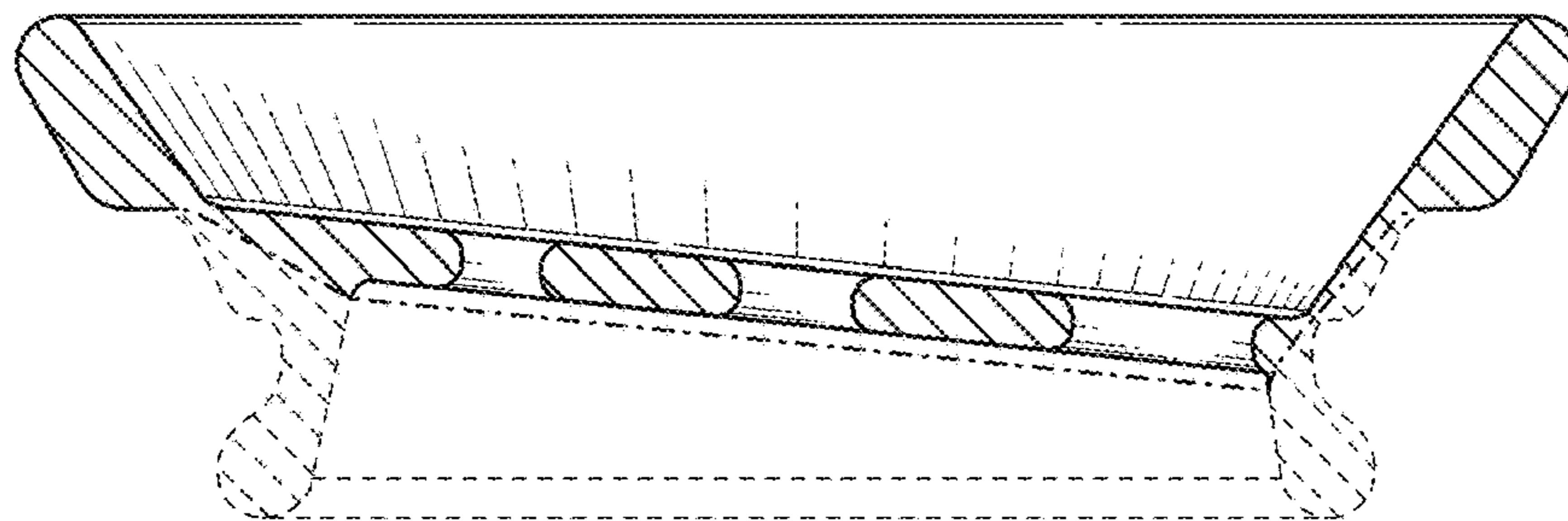


FIG. 4

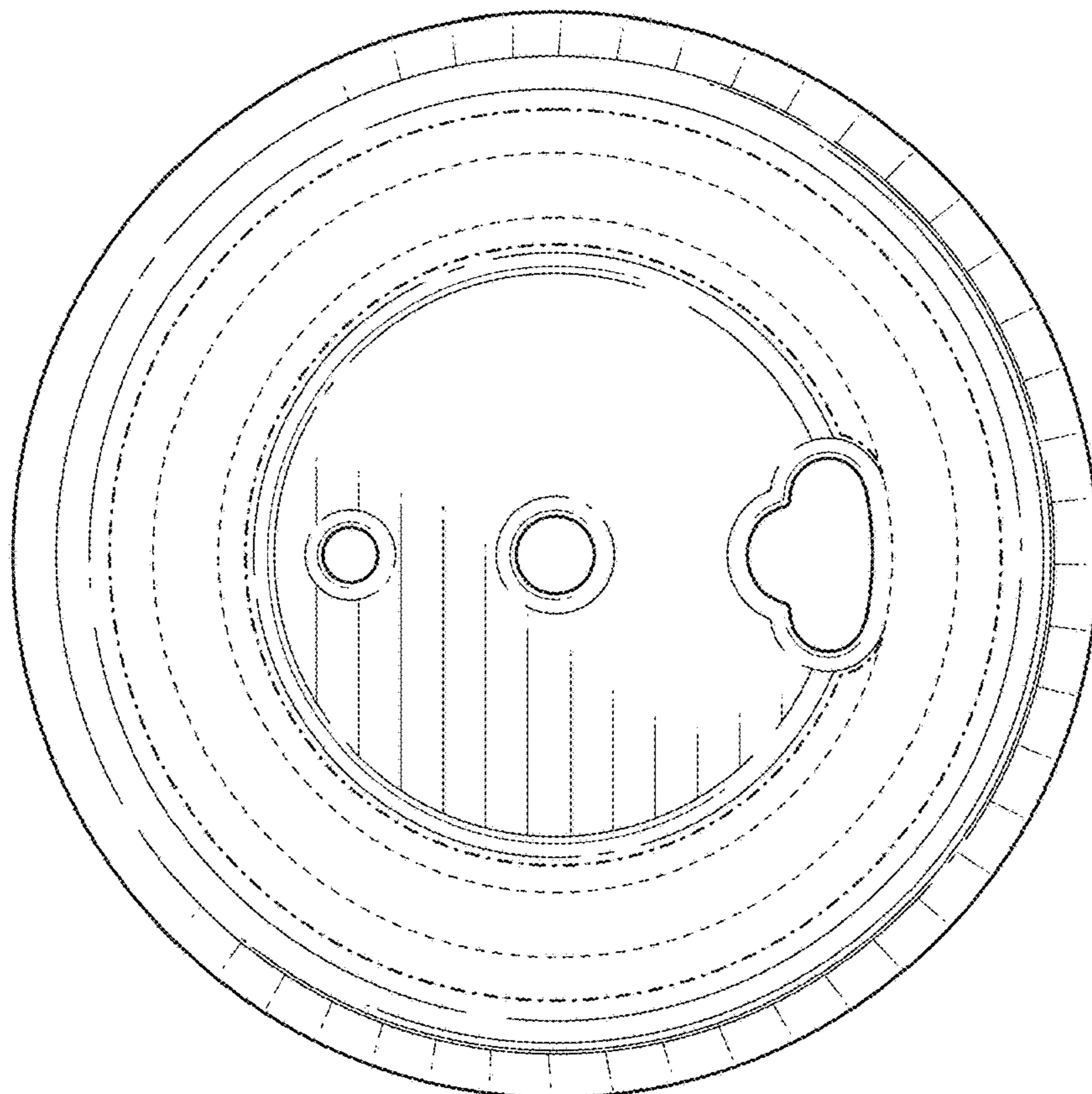


FIG. 5

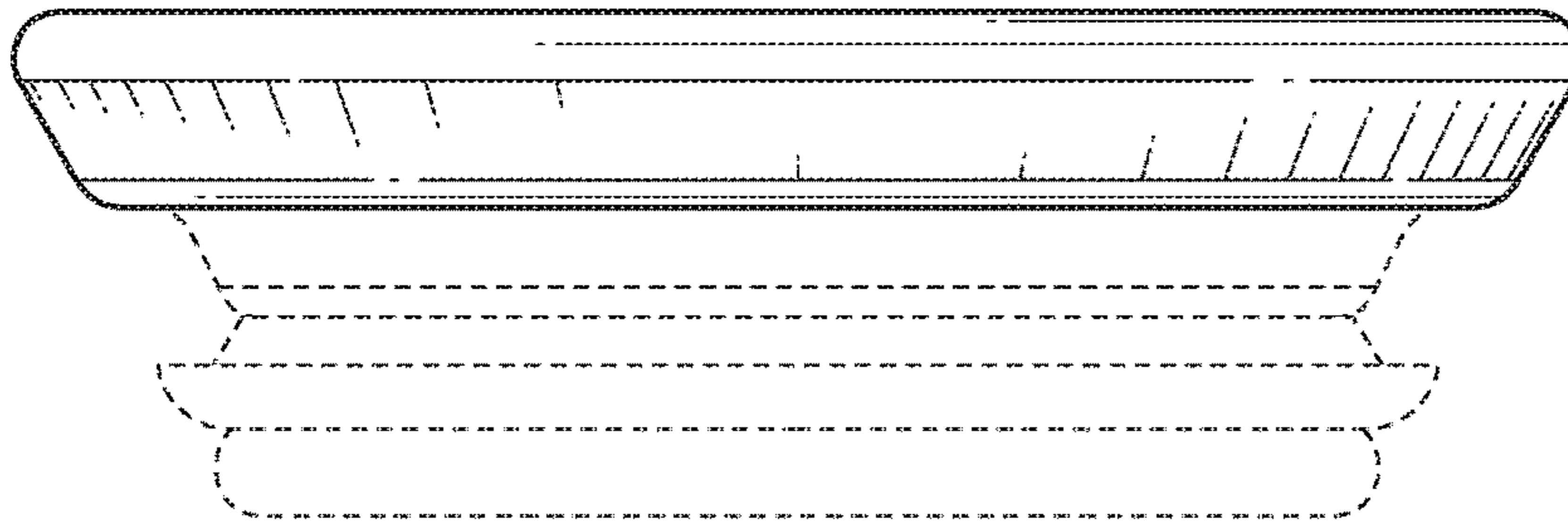


FIG. 6

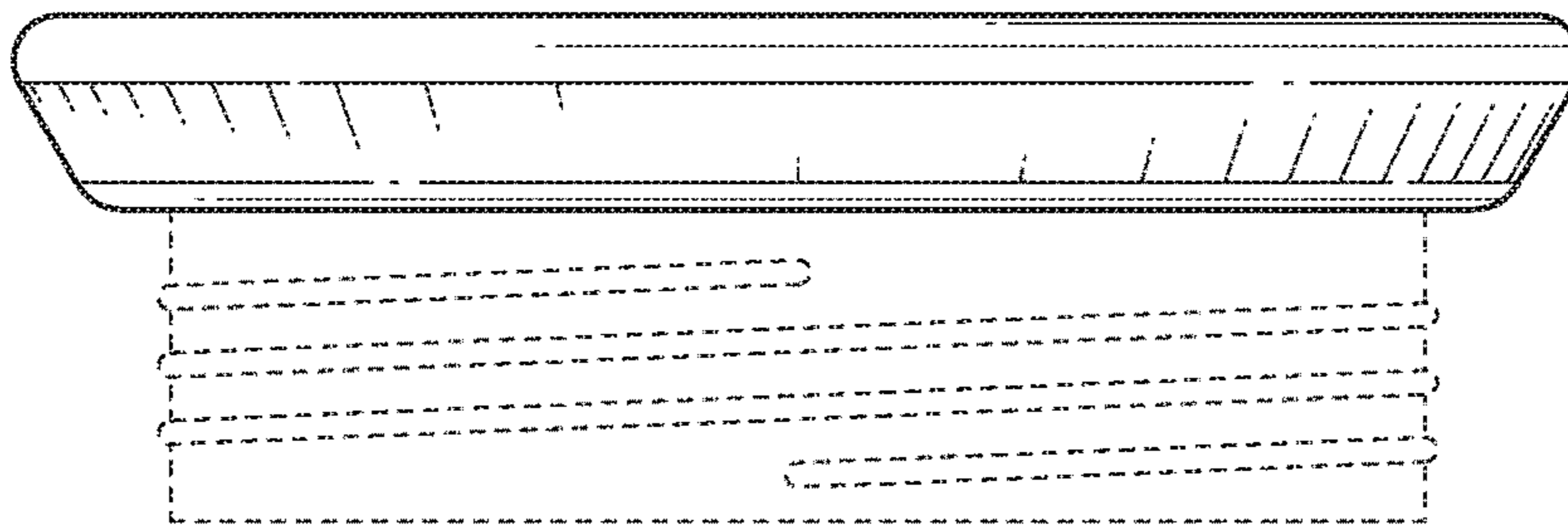


FIG. 7

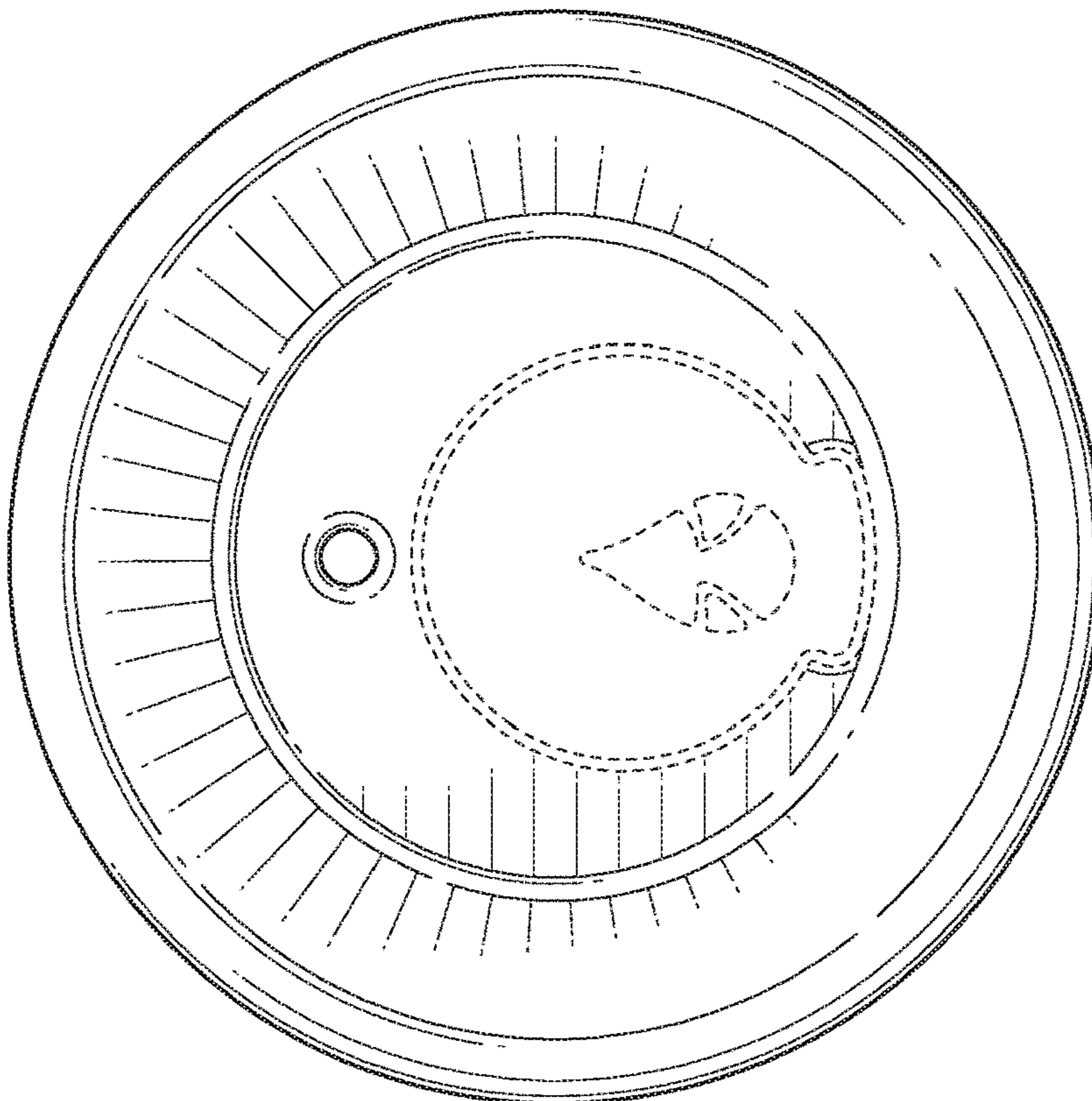


FIG. 8

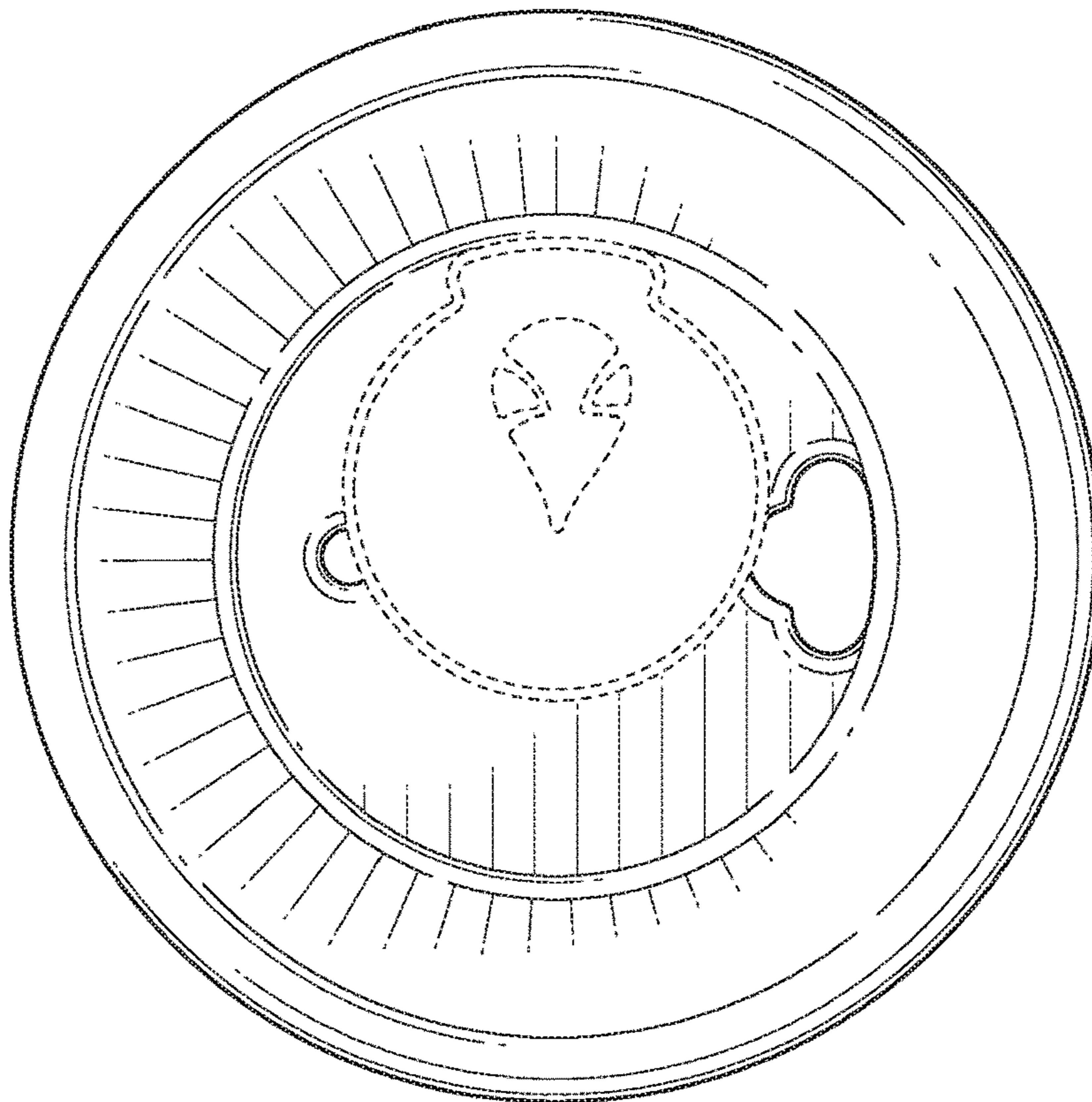


FIG. 9

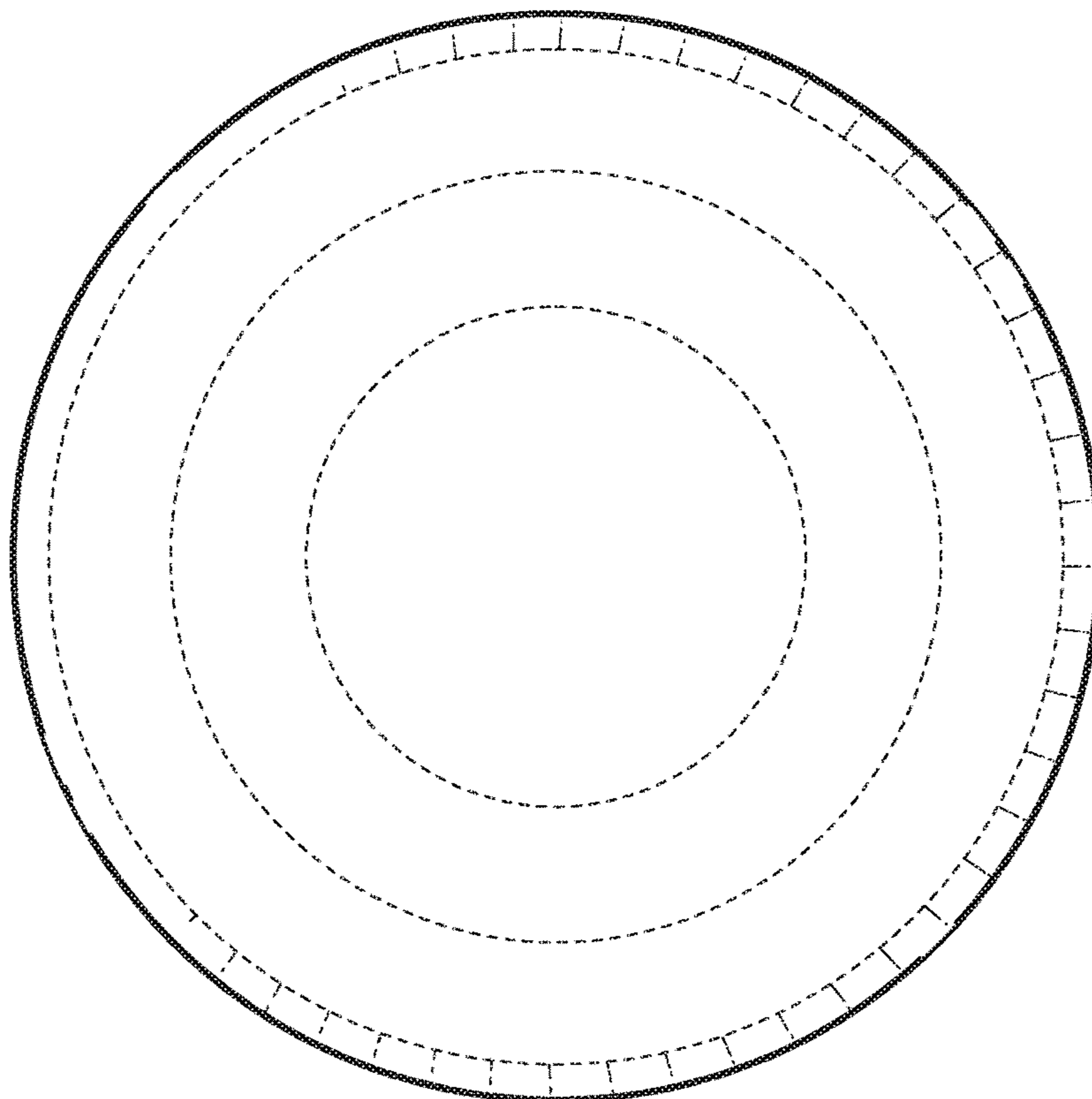


FIG. 10

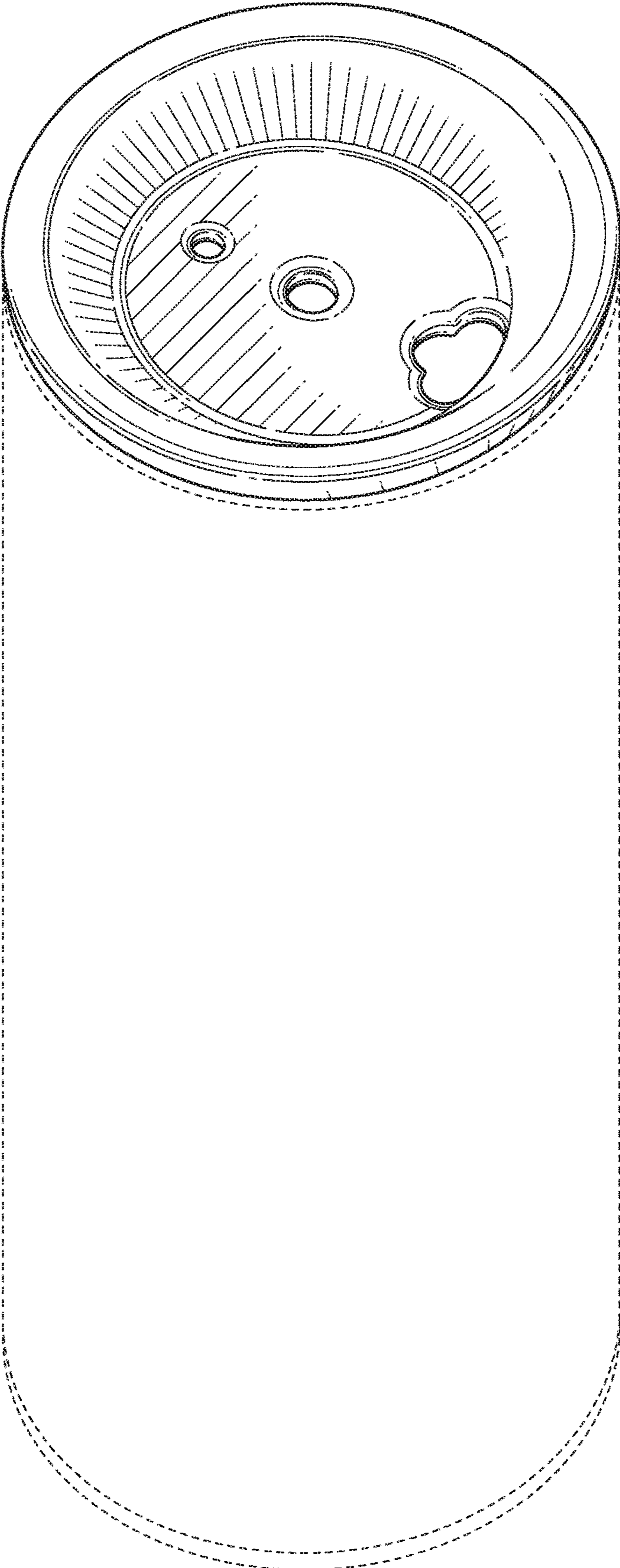


FIG. 11

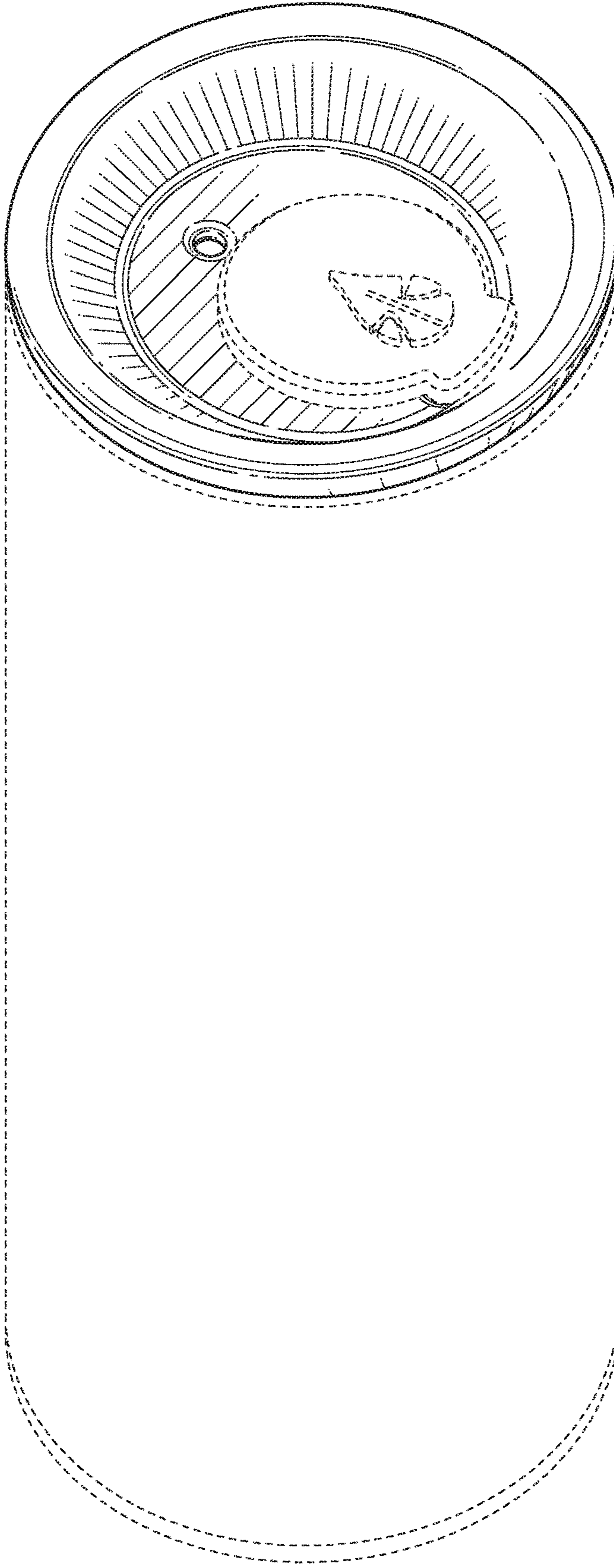


FIG. 12

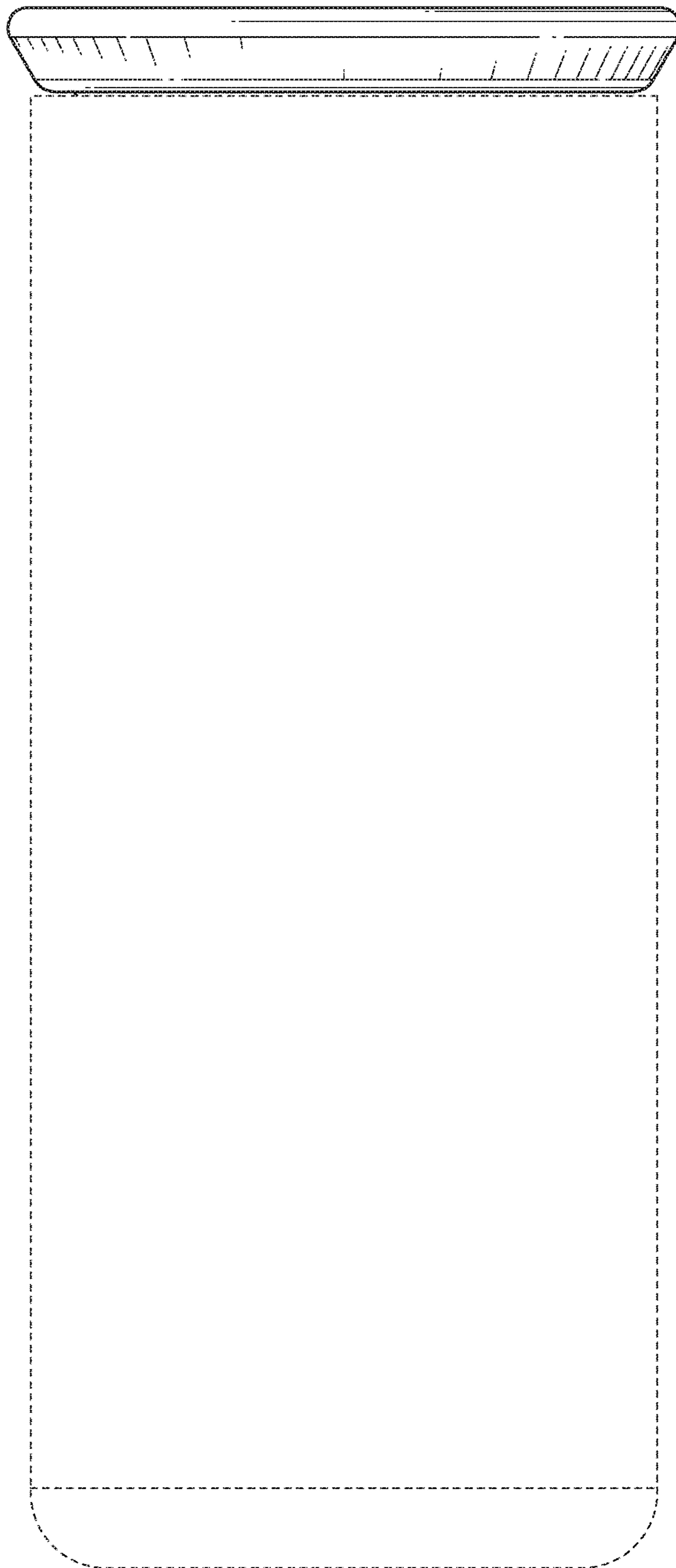


FIG. 13