



US00D900540S

(12) **United States Design Patent** (10) **Patent No.:** **US D900,540 S**
Sorensen et al. (45) **Date of Patent:** **** Nov. 3, 2020**

(54) **LID FOR A CONTAINER**

- (71) Applicant: **Runway Blue, LLC**, Alpine, UT (US)
- (72) Inventors: **Steven M. Sorensen**, Alpine, UT (US);
David O. Meyers, East Layton, UT (US)
- (73) Assignee: **Runway Blue, LLC**, Alpine, UT (US)
- (**) Term: **15 Years**
- (21) Appl. No.: **29/733,191**
- (22) Filed: **Apr. 30, 2020**

Related U.S. Application Data

- (63) Continuation of application No. 29/650,949, filed on Jun. 11, 2018, which is a continuation of application No. 29/525,379, filed on Apr. 29, 2015, now Pat. No. Des. 820,038.

- (51) **LOC (12) Cl.** **07-99**
- (52) **U.S. Cl.**
USPC **D7/392.1**; D9/449; D9/443; D7/396.2

- (58) **Field of Classification Search**
USPC D9/434, 435, 438-441, 443-454, 499,
D9/503-505, 682, 685, 686; D7/300.1,
D7/387, 391, 392, 392.1, 393, 394, 396.1,
D7/396.2, 506, 507, 510, 511, 533, 534,
(Continued)

(56) **References Cited**

U.S. PATENT DOCUMENTS

- 1,037,051 A 8/1912 Ramsey
 - 1,094,469 A 4/1914 Pick
 - 1,389,732 A 9/1921 Baron
- (Continued)

FOREIGN PATENT DOCUMENTS

- CN 201139196 Y 10/2008
- JP 2006103793 A 4/2006
- JP 2008247404 A 10/2008

OTHER PUBLICATIONS

Examiner's Report from Canadian Patent Application No. 164984, dated Jan. 29, 2016, 3 pgs.
(Continued)

Primary Examiner — Michael A. Pratt
Assistant Examiner — Wendy L Arminio
(74) *Attorney, Agent, or Firm* — Sterne, Kessler, Goldstein & Fox, P.L.L.C.

(57) **CLAIM**

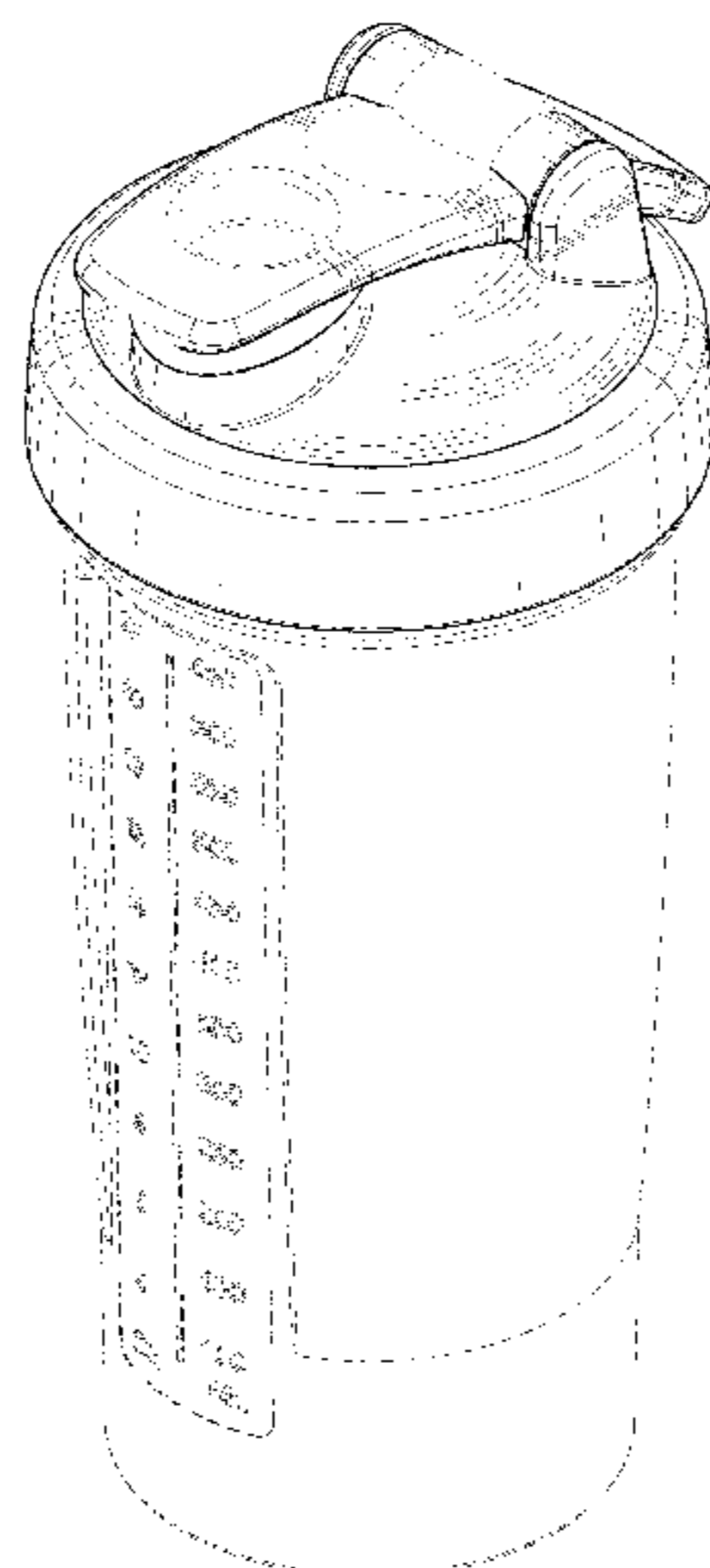
The ornamental design for a lid for a container, as shown and described.

DESCRIPTION

FIG. 1 is an upper perspective view of a lid for a container attached to an unclaimed container;
 FIG. 2 is an upper perspective view of the lid for a container shown in FIG. 1;
 FIG. 3 is a front view of the lid for a container shown in FIG. 1;
 FIG. 4 is a back view of the lid for a container shown in FIG. 1;
 FIG. 5 is a right side view of the lid for a container shown in FIG. 1;
 FIG. 6 is a left side view of the lid for a container shown in FIG. 1;
 FIG. 7 is a top view of the lid for a container shown in FIG. 1; and,
 FIG. 8 is a bottom view of the lid for a container shown in FIG. 1.

The broken lines showing a container in FIG. 1 depict environment and form no part of the claimed design. All other broken lines in the figures illustrate portions of the lid for a container that form no part of the claimed design.

1 Claim, 6 Drawing Sheets



(56)

References Cited

U.S. PATENT DOCUMENTS

D699,996 S 2/2014 De Leo
 D702,489 S 4/2014 Steel et al.
 D702,503 S 4/2014 Steel et al.
 8,695,830 B2 4/2014 Meyers
 D707,497 S 6/2014 Tello
 D719,780 S 12/2014 Sullivan
 8,939,305 B2 1/2015 Meyers et al.
 D723,916 S 3/2015 Hughes
 D726,476 S 4/2015 Ercanbrack
 D730,694 S 6/2015 Elsaden et al.
 D739,174 S 9/2015 Elsaden
 D739,674 S 9/2015 Bergstrom
 9,120,598 B2 9/2015 Meyers et al.
 D742,230 S 11/2015 Charles
 D745,827 S 12/2015 Sorensen
 9,216,843 B2 12/2015 Sorensen
 D747,624 S 1/2016 Walker
 D748,430 S 2/2016 Sorensen
 D748,478 S 2/2016 Sorensen
 D748,943 S 2/2016 Miller
 D752,382 S 3/2016 Ksiazek et al.
 D752,390 S * 3/2016 Ksiazek D7/300.1
 D758,127 S 6/2016 Zhao
 D766,029 S 9/2016 Lin
 D768,491 S 10/2016 Sorensen
 D778,666 S 2/2017 De Leo
 D779,872 S 2/2017 Bergstrom
 D780,516 S * 3/2017 Cornelius D7/510
 D793,154 S 8/2017 Sorensen et al.
 D794,386 S * 8/2017 Steel D7/396.2
 D799,270 S 10/2017 Polk
 D802,366 S * 11/2017 Cerasani D7/300.1
 D808,216 S * 1/2018 Holowaychuk D7/412
 D820,038 S 6/2018 Sorensen et al.
 D830,119 S 10/2018 Sorensen et al.
 D833,224 S * 11/2018 Wahlkvist D7/300.1
 D836,985 S * 1/2019 Otto D7/300.1
 D839,663 S * 2/2019 Hu D7/391
 D846,392 S * 4/2019 Markey D9/447
 D848,209 S 5/2019 Omdahl et al.
 D848,210 S 5/2019 Omdahl et al.
 10,279,965 B2 * 5/2019 Enghard B65D 47/0895
 D852,577 S * 7/2019 Markey D7/396.2
 D854,880 S 7/2019 Meyers et al.
 D859,919 S 9/2019 Gronkowski
 D862,156 S 10/2019 Meyers et al.
 D864,657 S * 10/2019 Omdahl, II D7/392.1
 D875,473 S * 2/2020 Wahlkvist D7/510
 D878,147 S * 3/2020 Berresheim D7/392.1
 D878,853 S * 3/2020 Omdahl, II D9/449
 D878,855 S * 3/2020 Nucci D9/443
 D880,225 S * 4/2020 Peng D7/392.1
 D881,647 S * 4/2020 Wang D7/510
 D881,648 S * 4/2020 Xue D7/510
 D887,202 S * 6/2020 Wadsworth D7/392.1
 2002/0074334 A1 6/2002 Karp

2003/0085228 A1 5/2003 Oakes
 2004/0217139 A1 11/2004 Roth et al.
 2004/0262306 A1 12/2004 Smith
 2005/0045634 A1 3/2005 Ward
 2005/0045636 A1 3/2005 Lown et al.
 2007/0012693 A1 1/2007 Kummer
 2007/0175931 A1 8/2007 Leoncavallo et al.
 2008/0099514 A1 5/2008 Carter et al.
 2009/0178940 A1 7/2009 Said
 2009/0188884 A1 7/2009 Nelson et al.
 2009/0188933 A1 7/2009 Daams
 2009/0301990 A1 12/2009 Cresswell et al.
 2010/0200438 A1 8/2010 Davies
 2010/0206835 A1 8/2010 Yu
 2010/0224631 A1 9/2010 Roth et al.
 2010/0282703 A1 11/2010 Yang
 2011/0017760 A1 1/2011 Newman
 2011/0253733 A1 10/2011 Meyers
 2013/0062304 A1 3/2013 Meyers
 2014/0069918 A1 3/2014 Meyers
 2014/0091086 A1 4/2014 Sorensen
 2014/0360908 A1 12/2014 Sorensen
 2015/0201773 A1 7/2015 Sorensen
 2015/0201774 A1 * 7/2015 Sorensen A47G 19/2272
 220/715
 2015/0201775 A1 7/2015 Sorensen
 2015/0329255 A1 * 11/2015 Rzepecki B65D 47/0885
 222/189.06
 2017/0105581 A1 * 4/2017 Enghard B01F 13/0055
 2017/0225850 A1 8/2017 Sorensen
 2019/0100362 A1 * 4/2019 Meyers B65D 55/02

OTHER PUBLICATIONS

International Search Report and Written Opinion from PCT Application No. PCT/US2011/026508 dated Sep. 29, 2011, 6 pgs.
 International Search Report and Written Opinion from PCT Application No. PCT/US2012/054483 dated Nov. 16, 2012, 6 pgs.
 International Search Report and Written Opinion from PCT Application No. PCT/US2012/054497 dated Nov. 20, 2012, 6 pgs.
 International Search Report and Written Opinion from PCT Application No. PCT/US2013/052132 dated Aug. 16, 2013, 13 pgs.
 Core 77, <http://www.core77.com/blog/materials/kor.sub.-one.sub.--water.sub.-b.--vessel.sub.--actual.sub.-size.sub.-10211.asp>, reportedly accessed Apr. 20, 2010, 6 pgs.
 Fit Sugar, www.fitsugar.com/2496788, reportedly accessed Apr. 20, 2010, 10 pgs.
 Goodlifer, <http://www.goodlifer.com/2009/02/360-paper-water-bottle/>, reportedly accessed Apr. 20, 2010, 9 pgs.
 Kor One, <http://www.korwater.com/buyONE>, reportedly accessed Apr. 20, 2010, 1 pg.
 Koyono, <http://www.koyono.com/KOR-ONE-Green-Zen-Water-Hydration-Vessel.sub.--p/kor-one.htm>, reportedly accessed Apr. 20, 2010, 7 pgs.
 Thermos, <http://www.shopthermos.com/detail/TMS+HP4000GR6>, reportedly accessed Apr. 20, 2010, 1 pg.

* cited by examiner

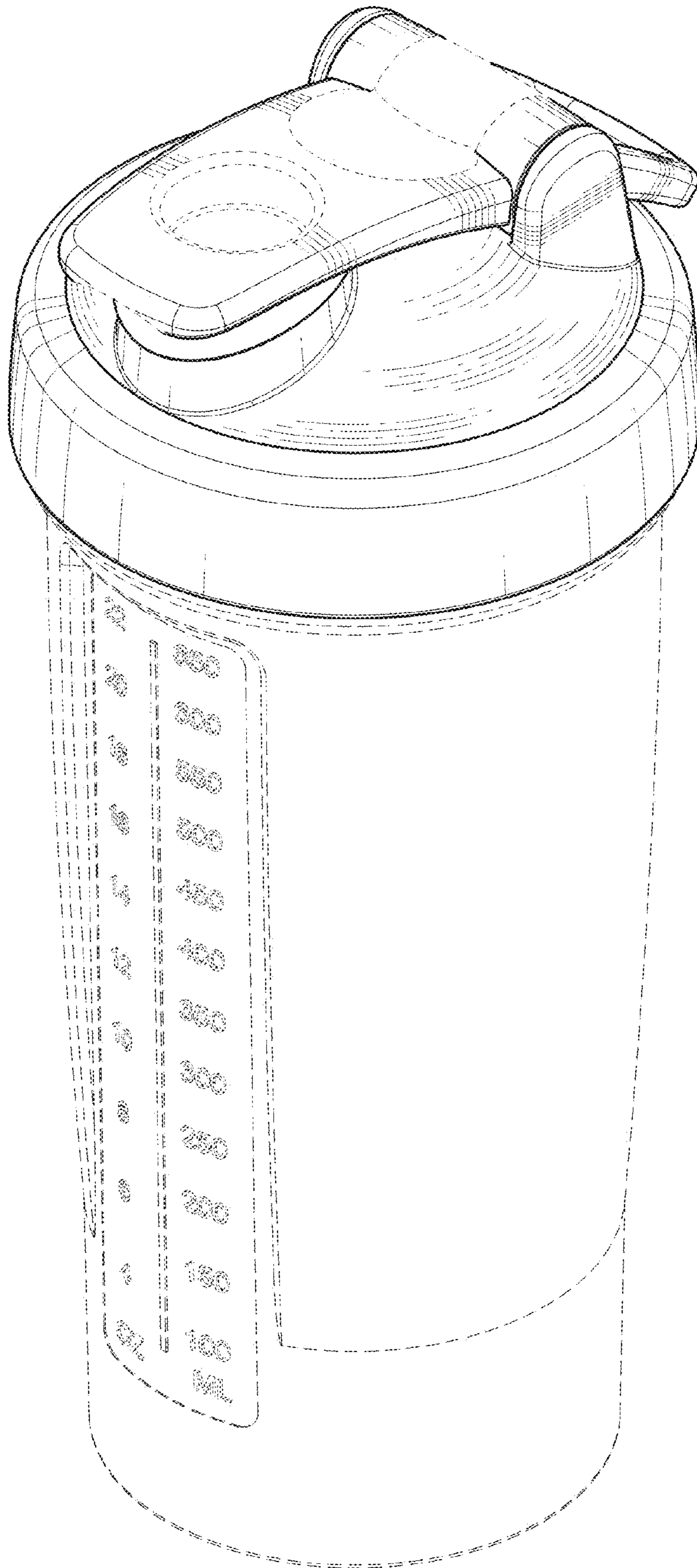


FIG. 1

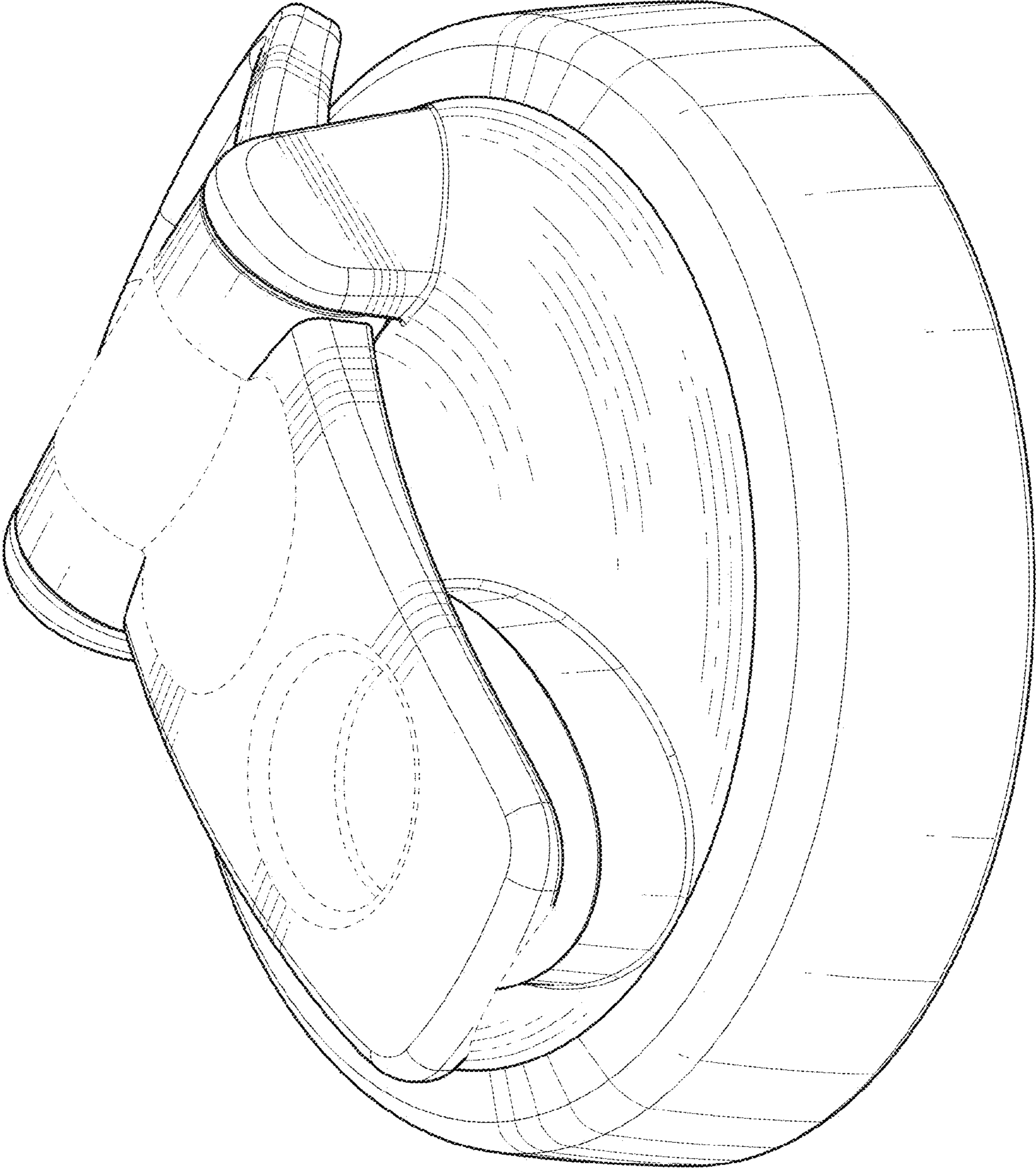


FIG. 2

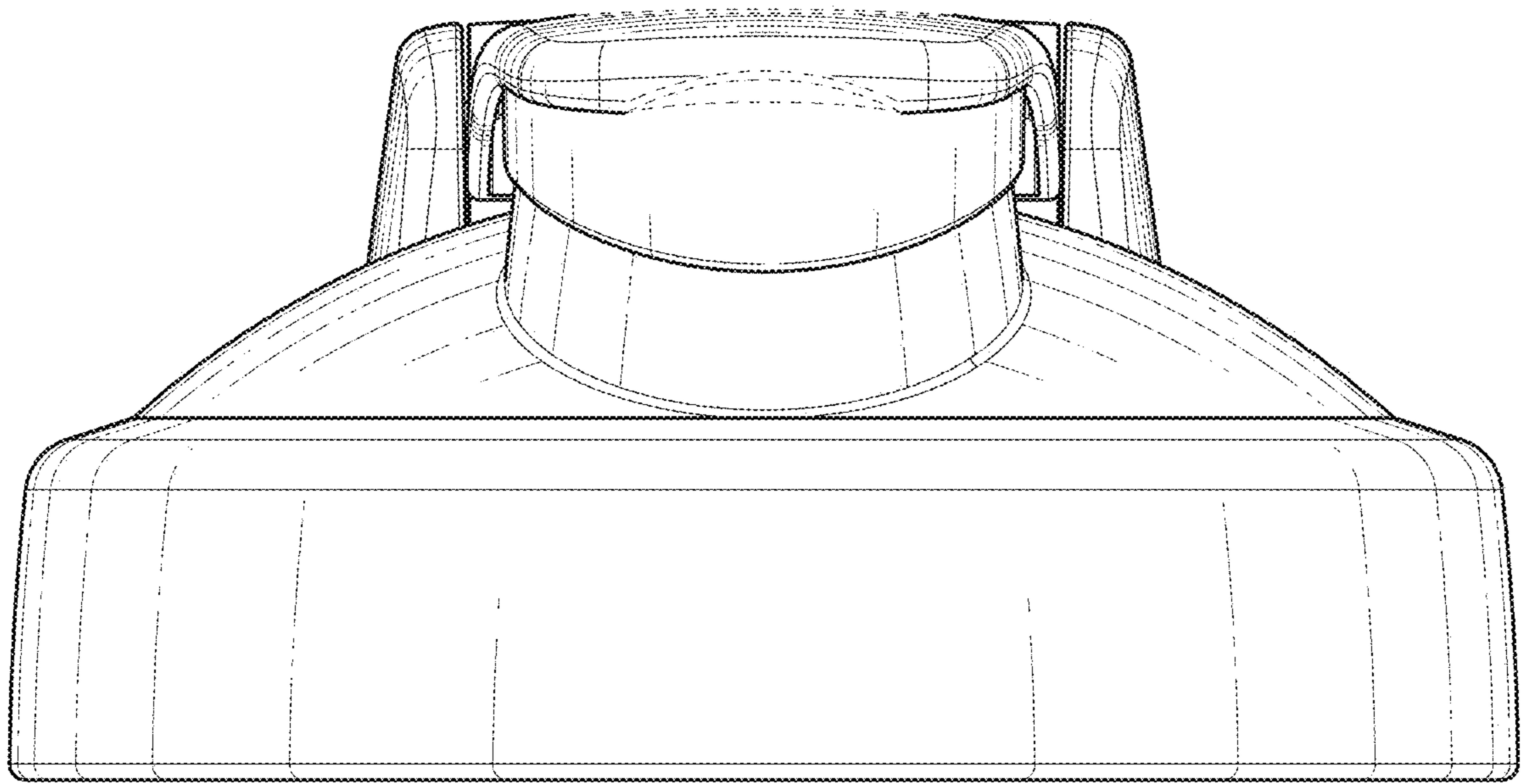


FIG. 3

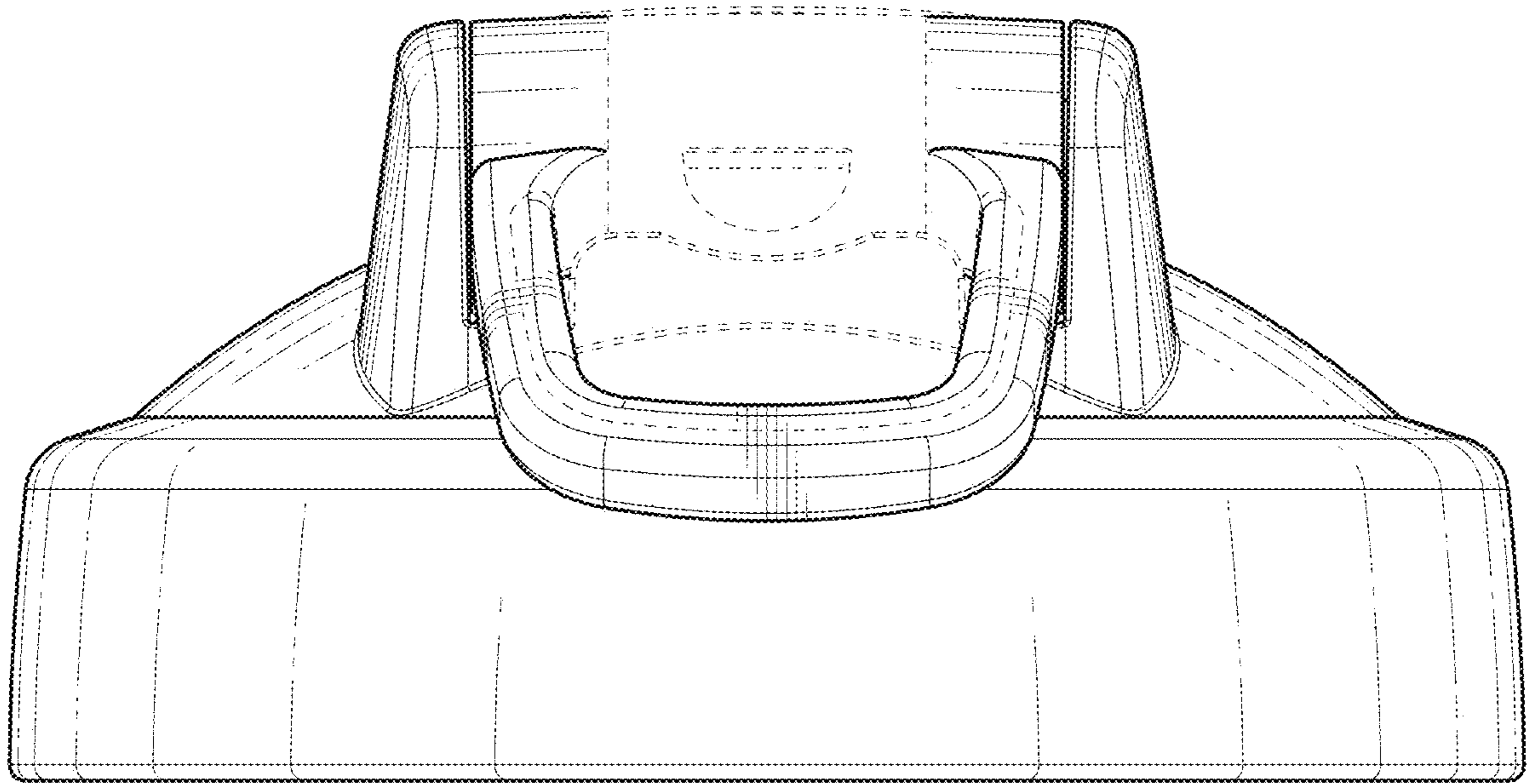


FIG. 4

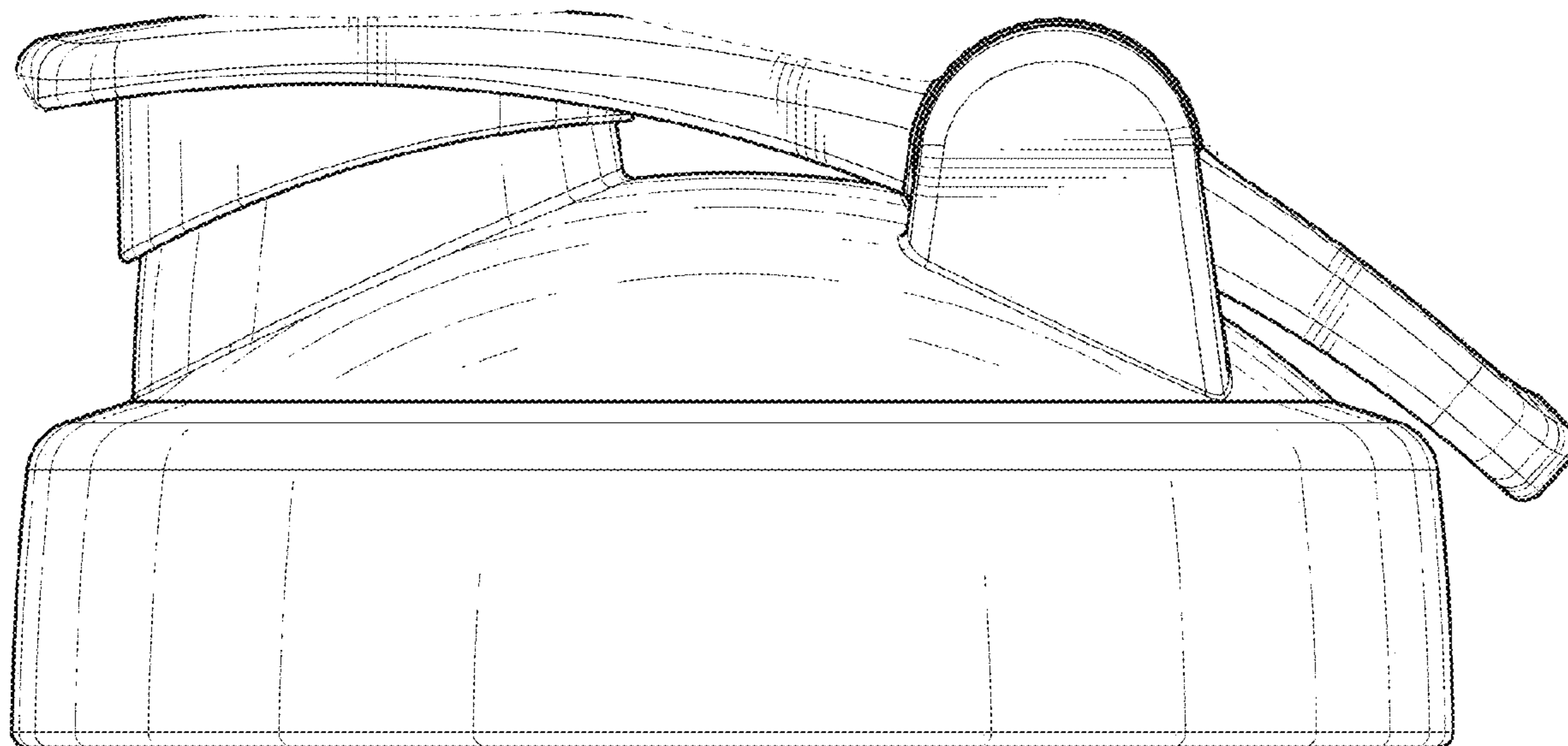


FIG. 5

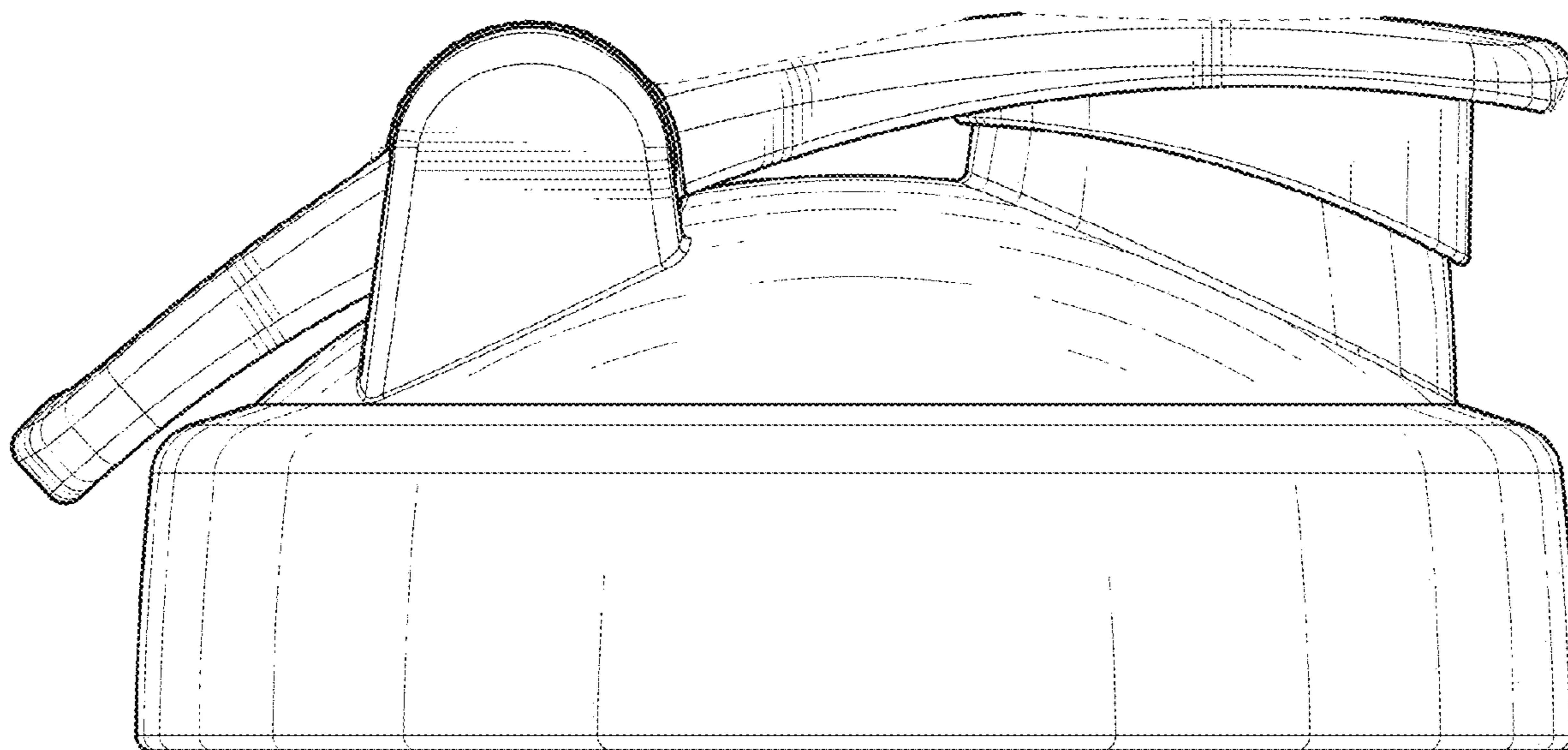


FIG. 6

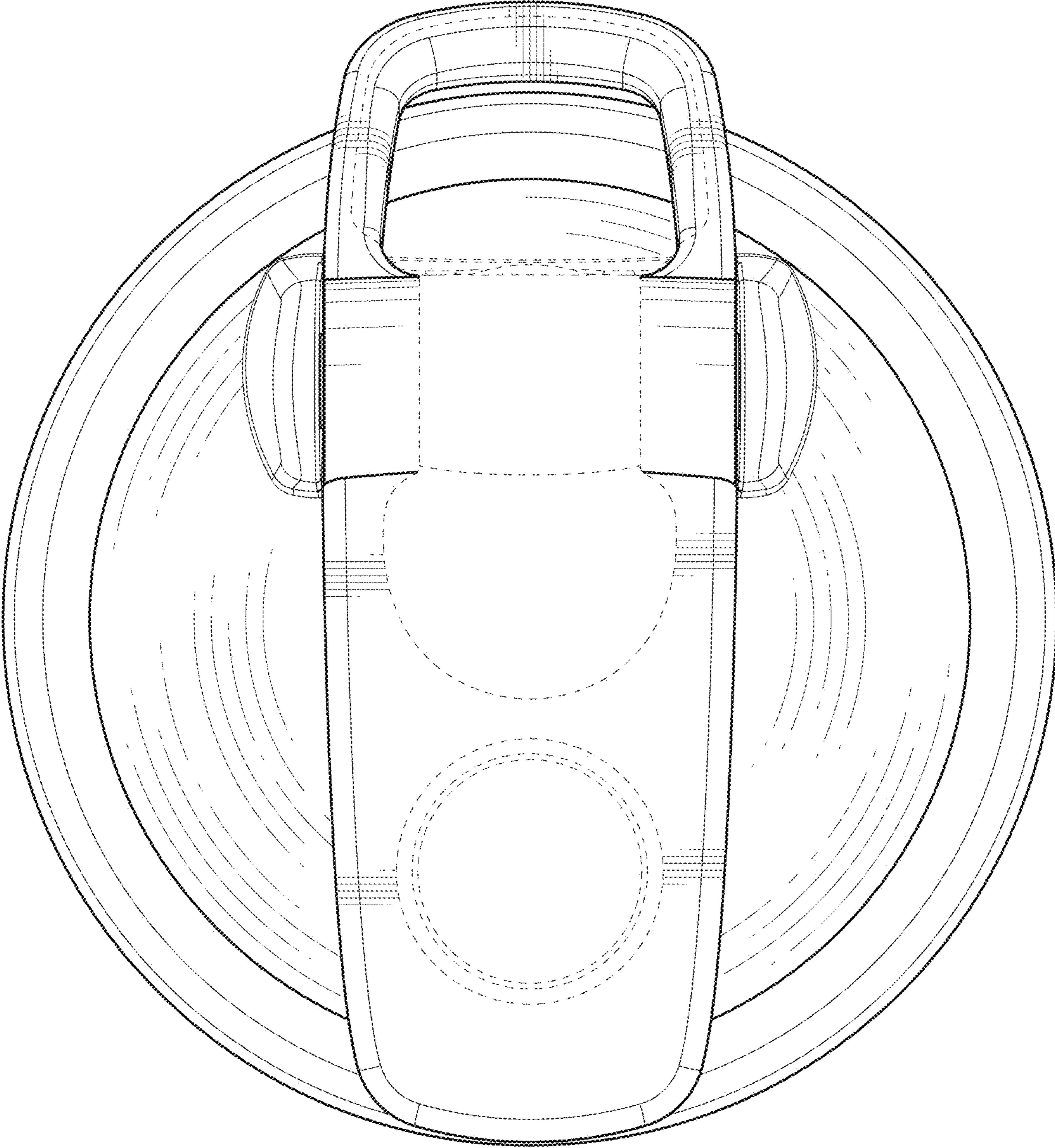


FIG. 7

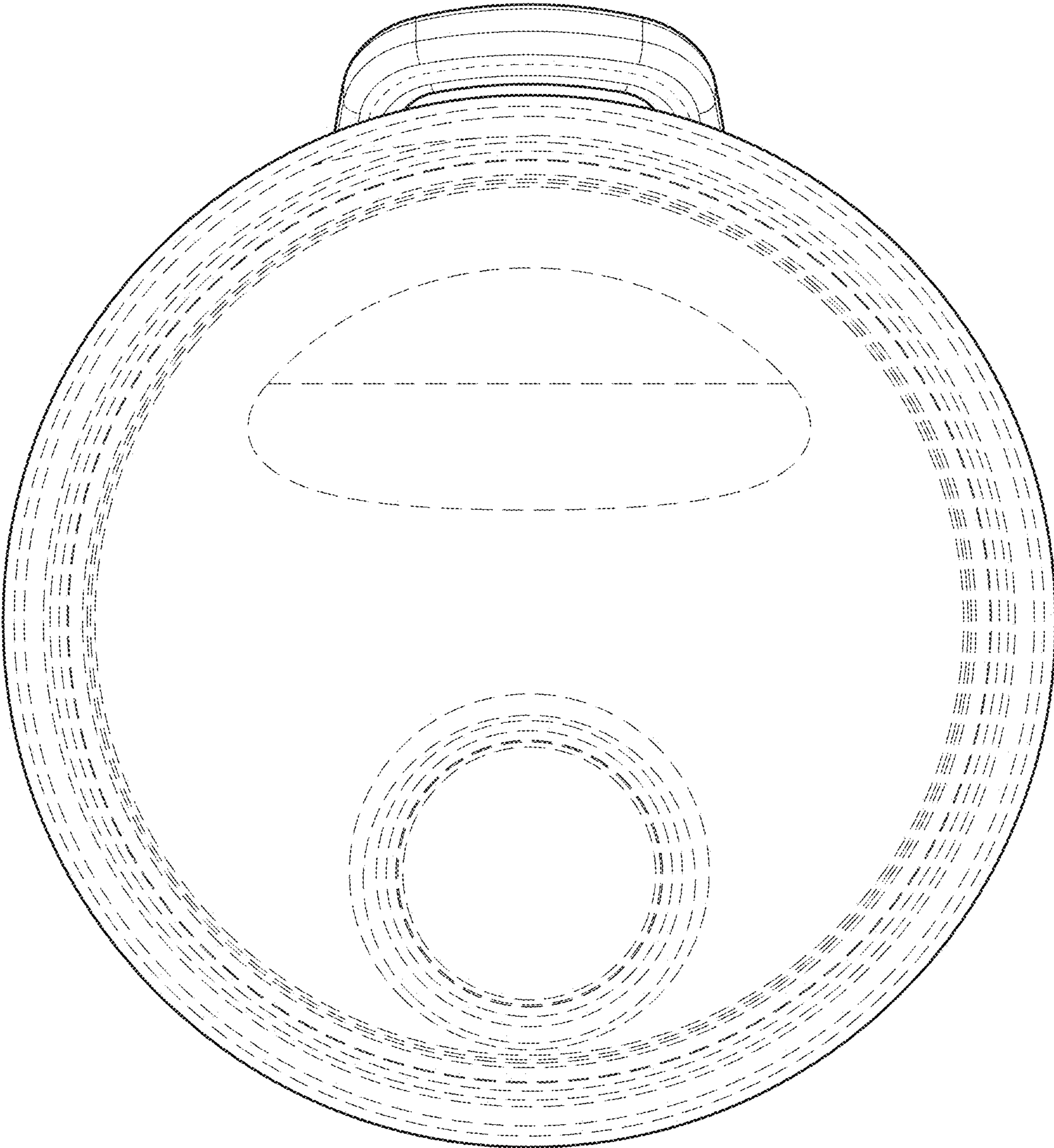


FIG. 8