



US00D900539S

(12) **United States Design Patent**
Yao

(10) **Patent No.:** **US D900,539 S**
(45) **Date of Patent:** **** Nov. 3, 2020**

(54) **BOTTLE LID**

(71) Applicant: **Bader Almuhtadi**, Tampa, FL (US)

(72) Inventor: **Huajun Yao**, Hangzhou (CN)

(**) Term: **15 Years**

(21) Appl. No.: **29/731,871**

(22) Filed: **Apr. 19, 2020**

(30) **Foreign Application Priority Data**

Oct. 31, 2019 (CN) 2019 3 0597264

(51) **LOC (12) Cl.** **07-01**

(52) **U.S. Cl.**
USPC **D7/392.1**; D7/396.2; D9/443

(58) **Field of Classification Search**
USPC D9/434, 499, 435, 440, 443, 447, 452,
D9/454; D7/391, 392, 392.1, 396.2
CPC A47G 19/22; A47G 19/2288; A47G
19/2205; A47G 19/2272; B65D 1/265;
A47J 41/0077; A47J 41/0088; A47J
41/028

See application file for complete search history.

(56) **References Cited**

U.S. PATENT DOCUMENTS

D625,951 S *	10/2010	Baek	D7/396.2
D786,012 S *	5/2017	Hein	D7/396.2
D806,468 S *	1/2018	Goodwin	D7/392.1
D853,236 S *	7/2019	Yao	D9/436
D853,237 S *	7/2019	Yao	D9/436
D857,446 S *	8/2019	Bell	D7/392.1
D862,228 S *	10/2019	Yao	D9/443
D872,522 S *	1/2020	Diener	D7/392.1

D872,524 S *	1/2020	Bo	D7/392.1
D875,466 S *	2/2020	Diener	D7/396.2
D885,120 S *	5/2020	Yao	D7/392
D885,823 S *	6/2020	Ayres	D7/392
D886,517 S *	6/2020	Bo	D7/392.1
D887,776 S *	6/2020	Bo	D7/392.1

OTHER PUBLICATIONS

Amazon. ShunDee Straw Lid/Patents Pending for Hydro Flask Standard Mouth Bottle & Simple Modern Ascent with Straws and Brushes,Sports Straw Cap Flip Top Lid. 2020. <https://amzn.to/2DC20fT> (Year: 2020).*

Alibaba. Yongkang Qiqing Industry & Trading Co., Ltd. No date specified. <https://zjqiqing.en.alibaba.com/> (Year: 0).*

* cited by examiner

Primary Examiner — Darcey E Gottschalk

(74) *Attorney, Agent, or Firm* — ZANIP

(57) **CLAIM**

The ornamental design for a bottle lid, as shown and described.

DESCRIPTION

FIG. 1 is a front and top perspective view of a bottle lid, showing my new design;

FIG. 2 is a rear and bottom perspective view thereof;

FIG. 3 is a front elevational view thereof;

FIG. 4 is a rear elevational view thereof;

FIG. 5 is a left side elevational view thereof;

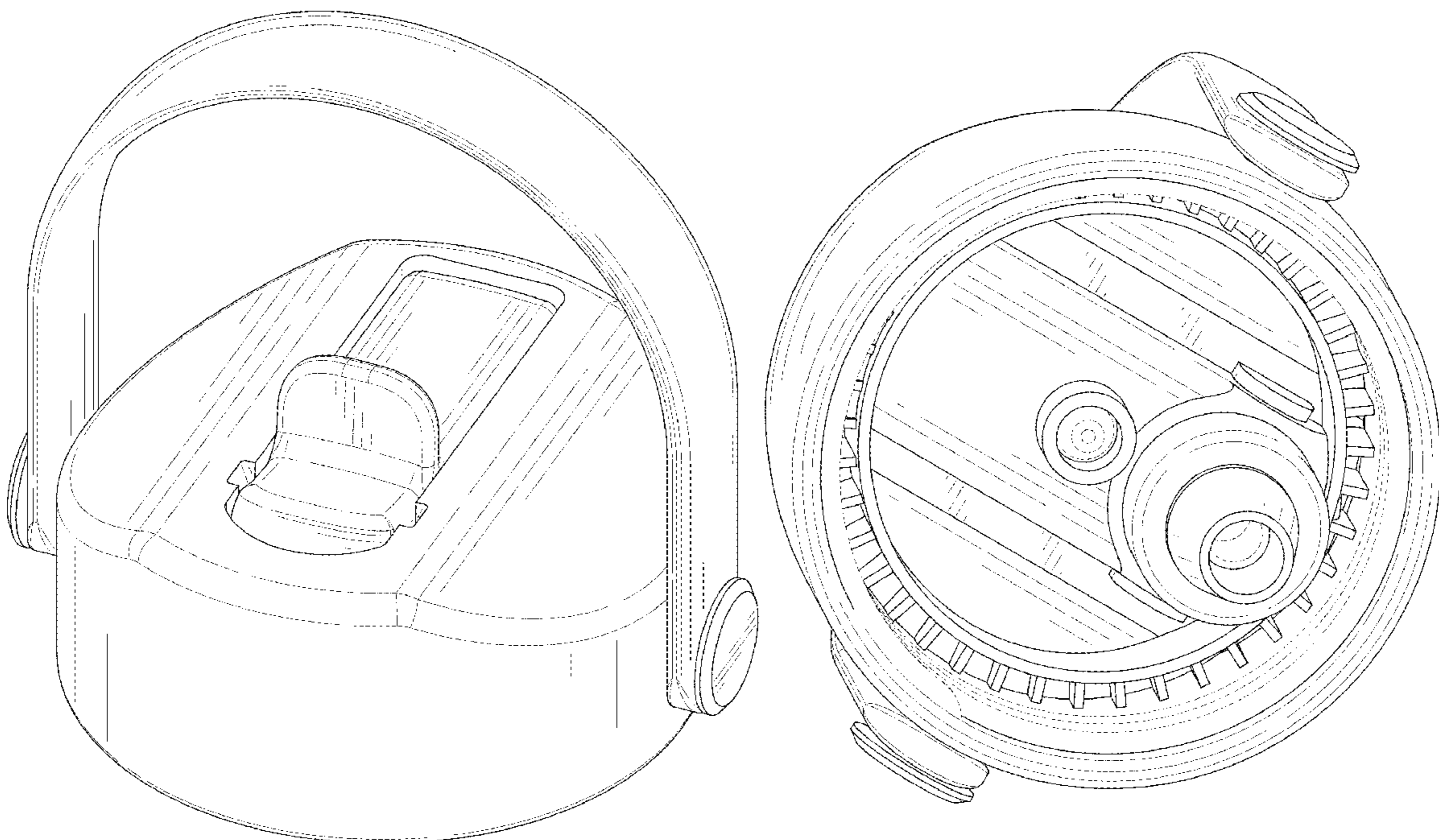
FIG. 6 is a right side elevational view thereof;

FIG. 7 is a top plan view thereof; and,

FIG. 8 is a bottom plan view thereof.

The broken lines in the figures illustrate portions of the article that form no part of the claimed design.

1 Claim, 8 Drawing Sheets



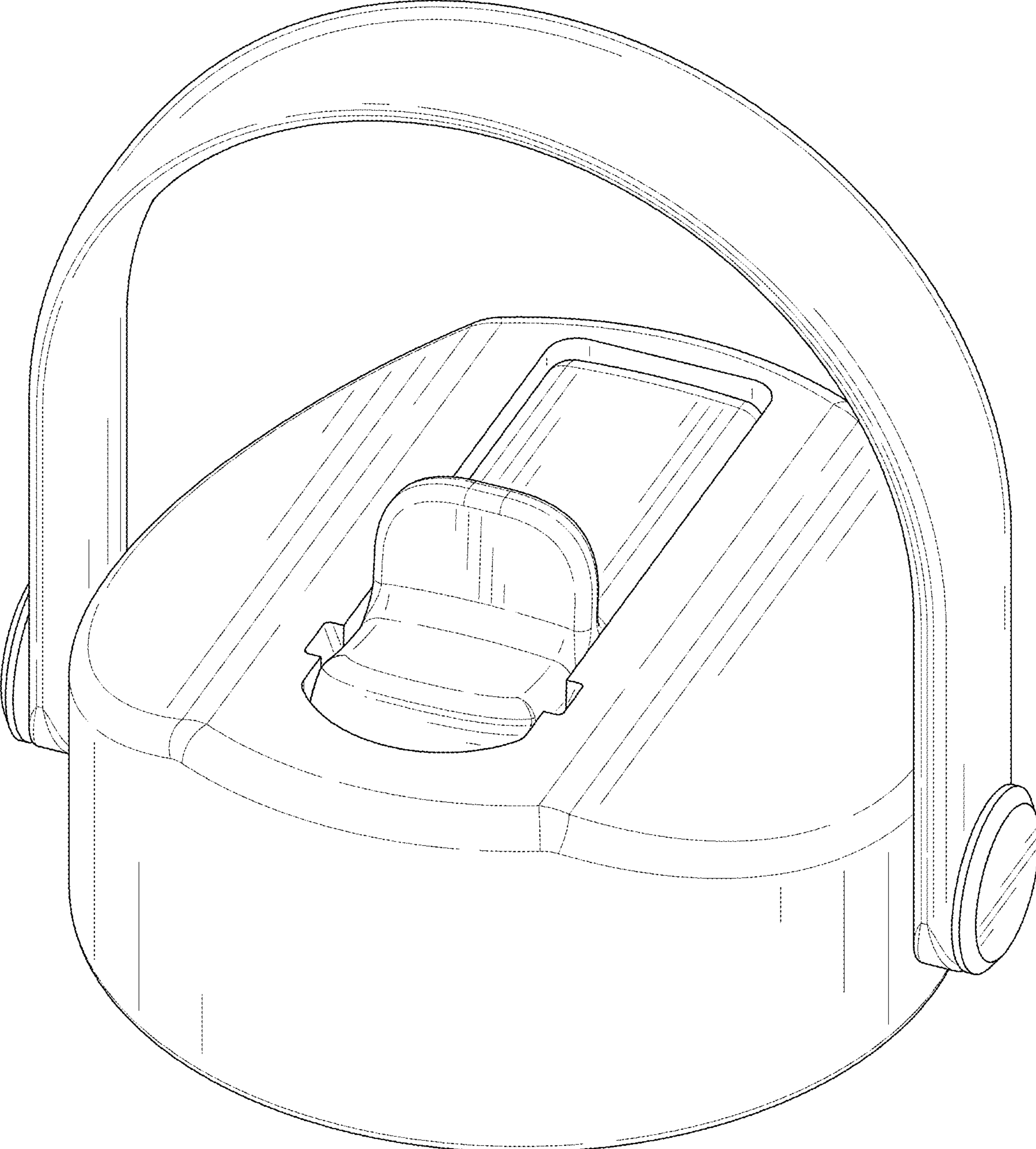


FIG. 1

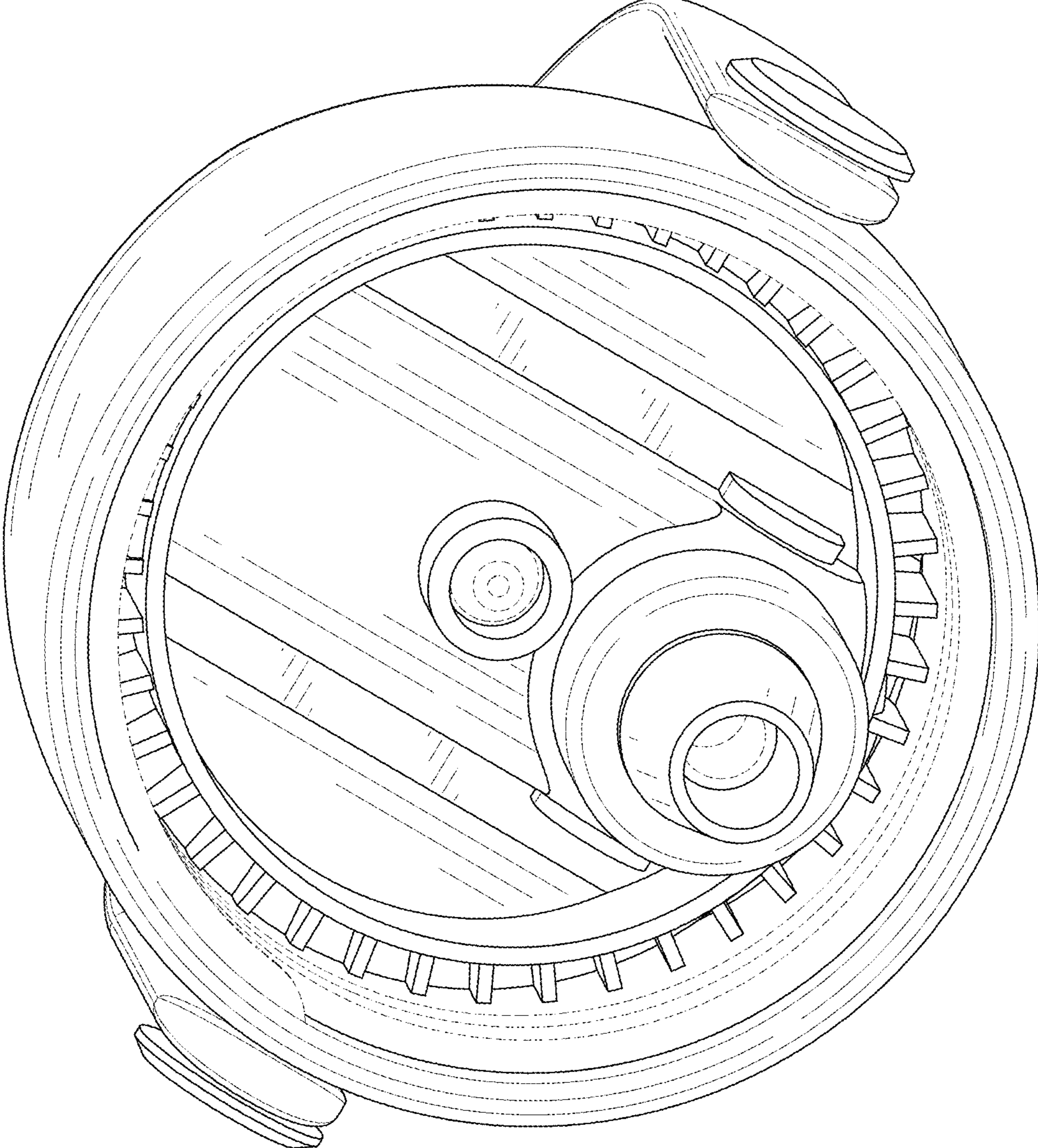


FIG. 2

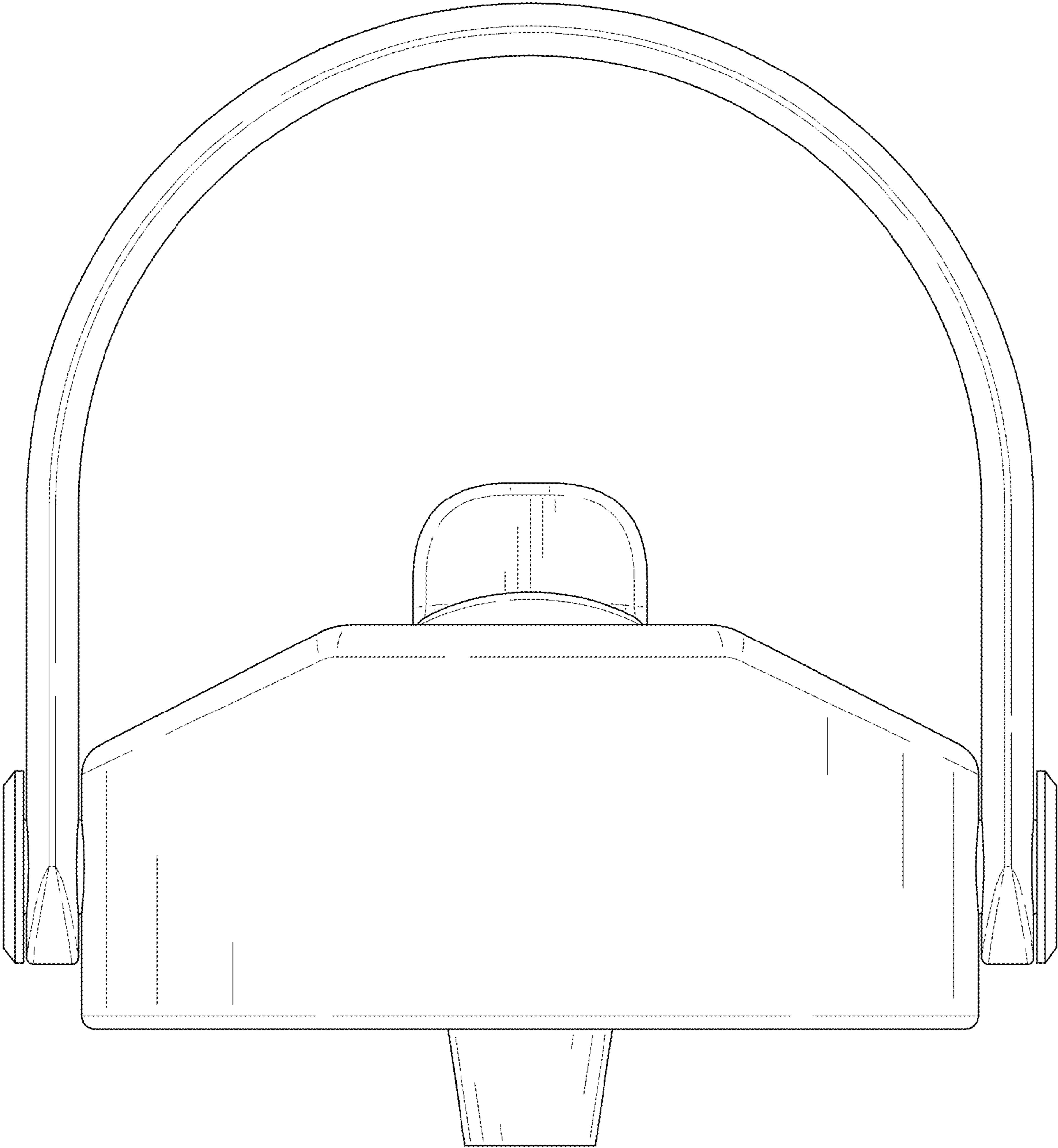


FIG. 3

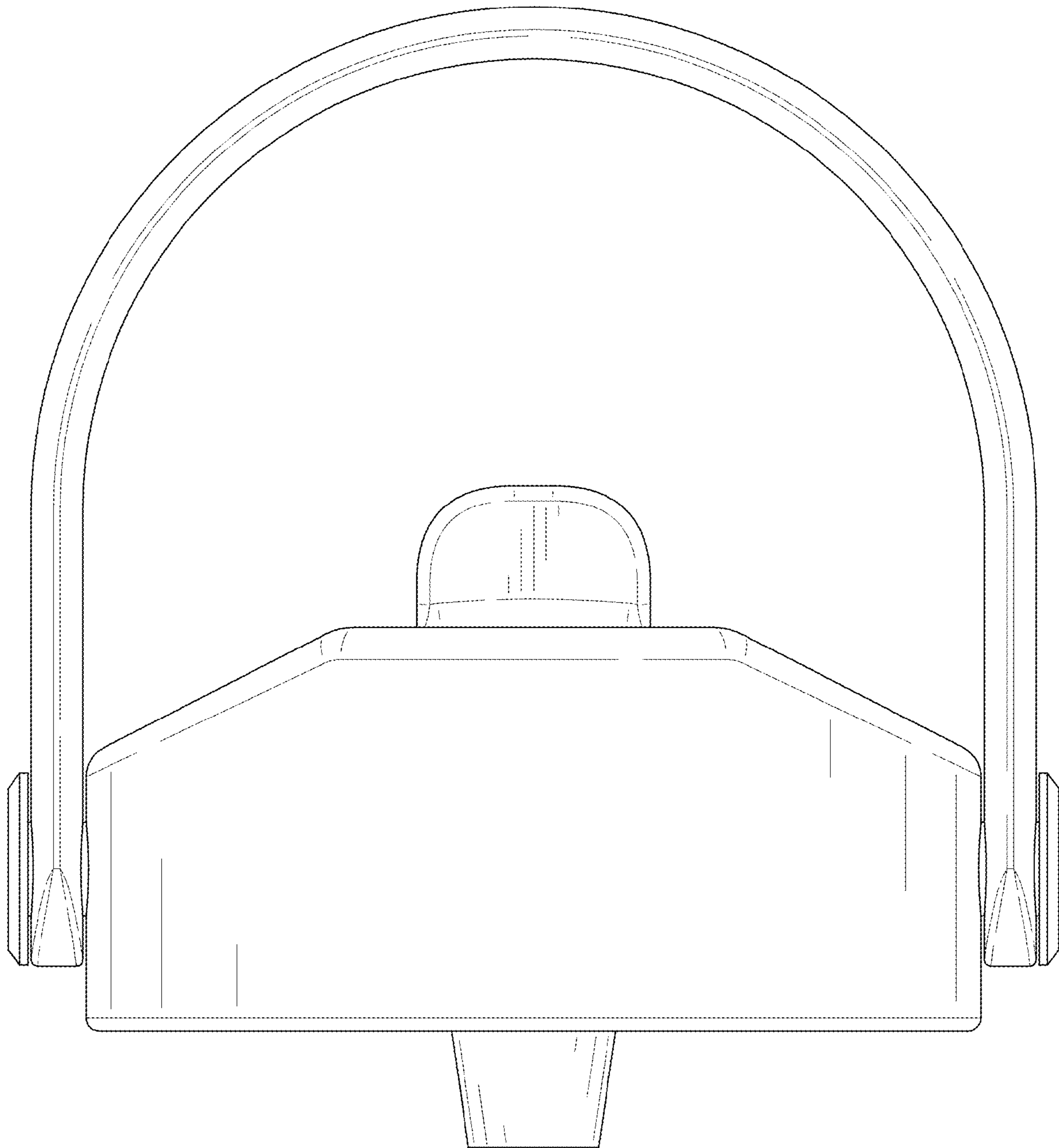


FIG. 4

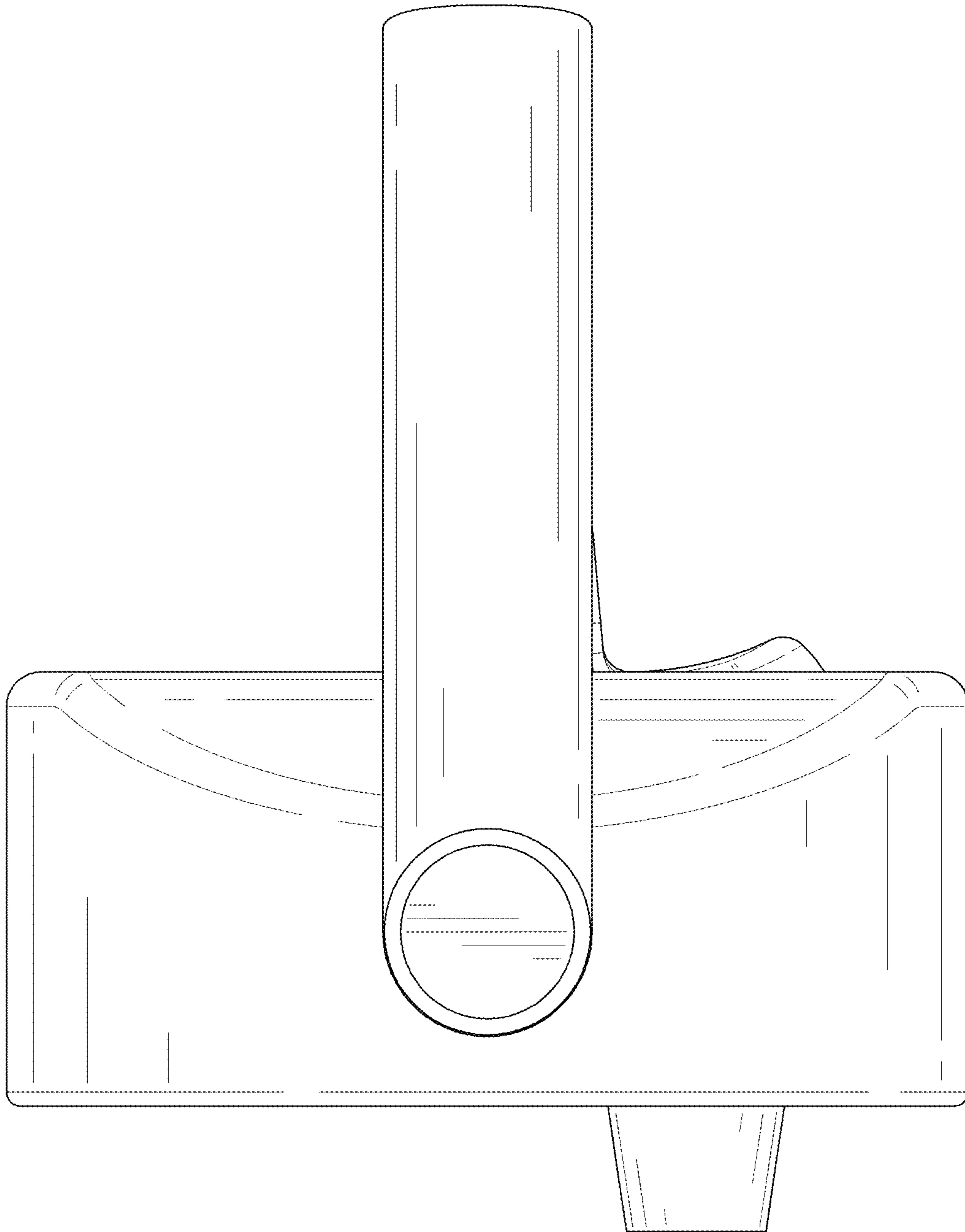


FIG. 5

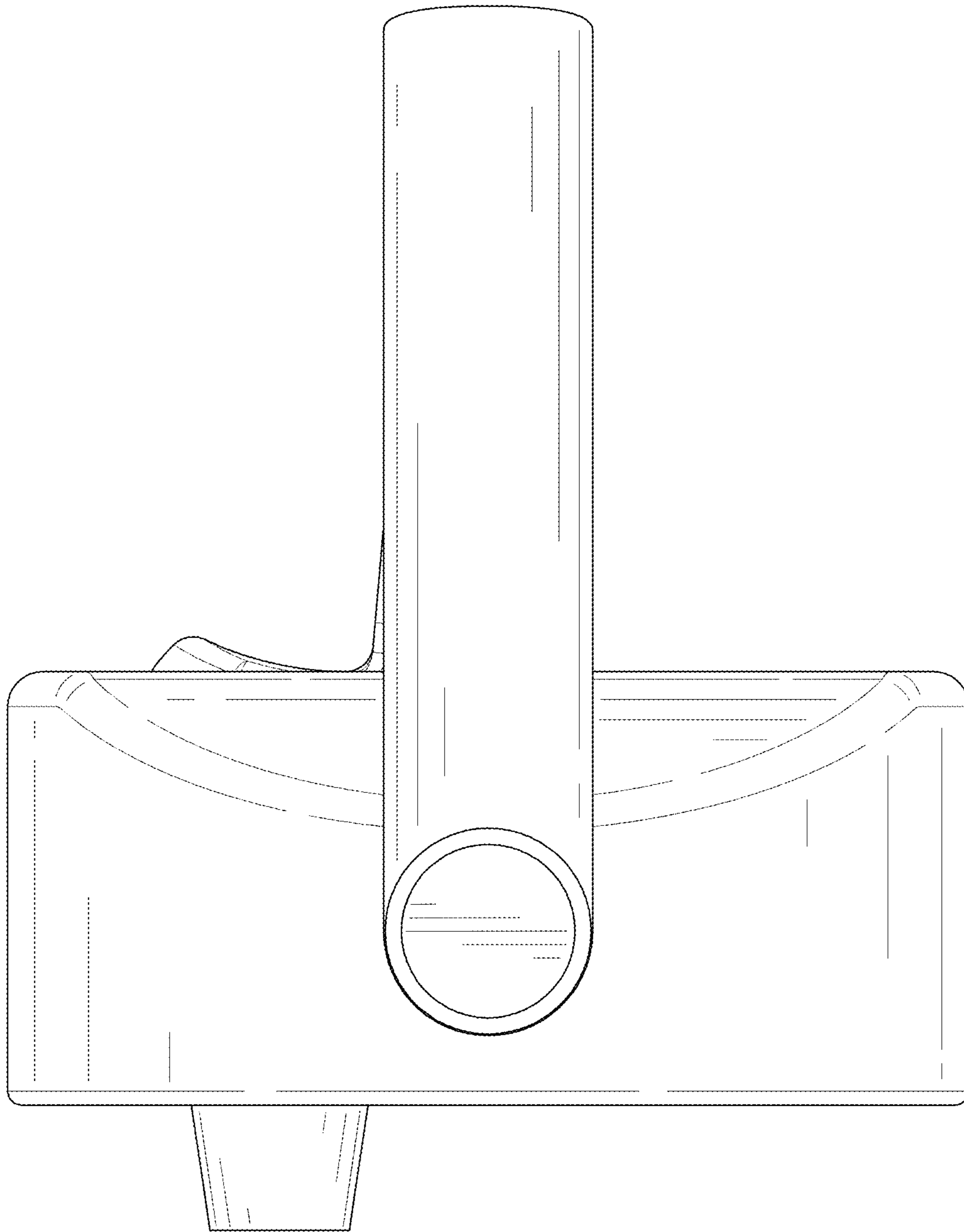


FIG. 6

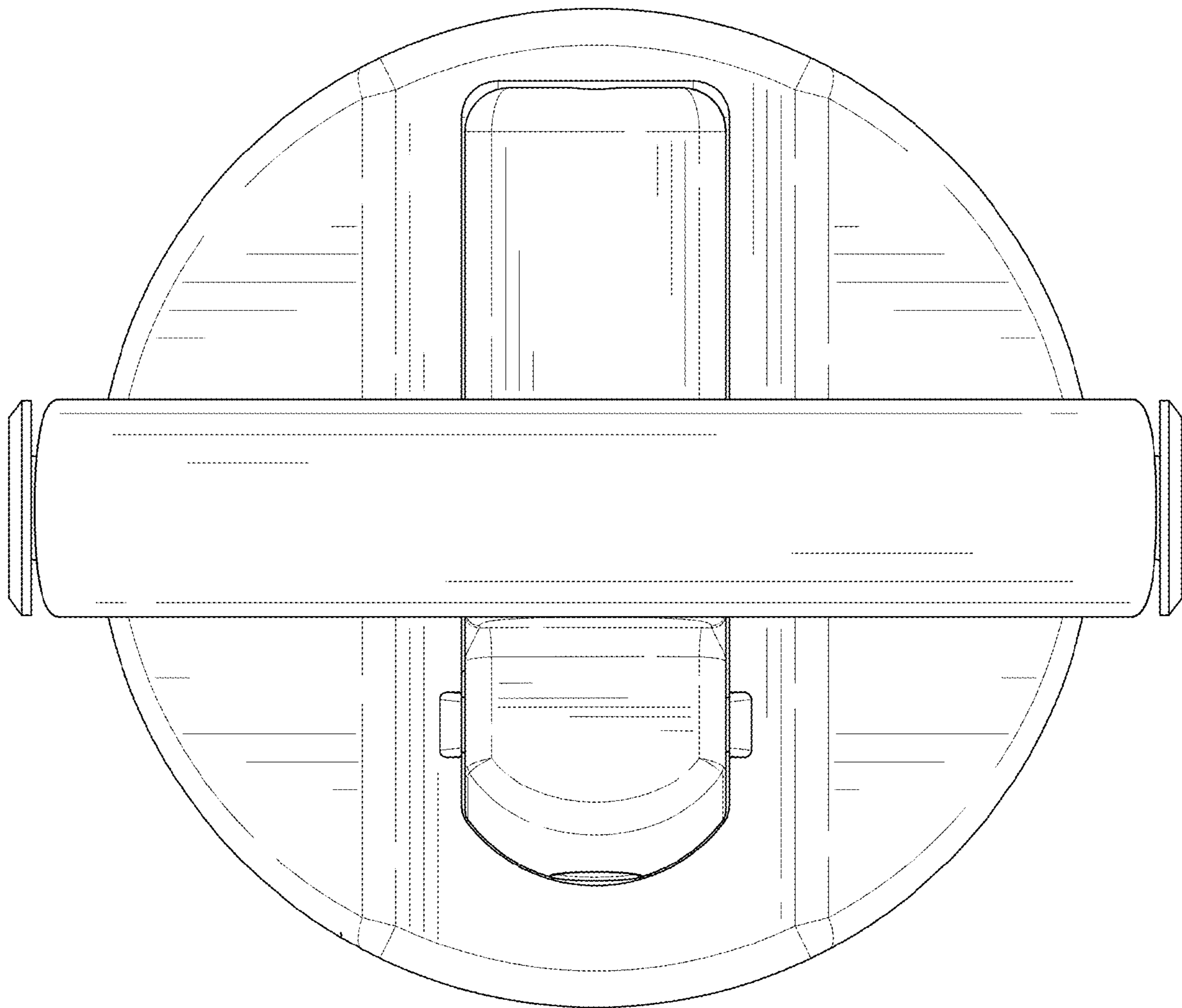


FIG. 7

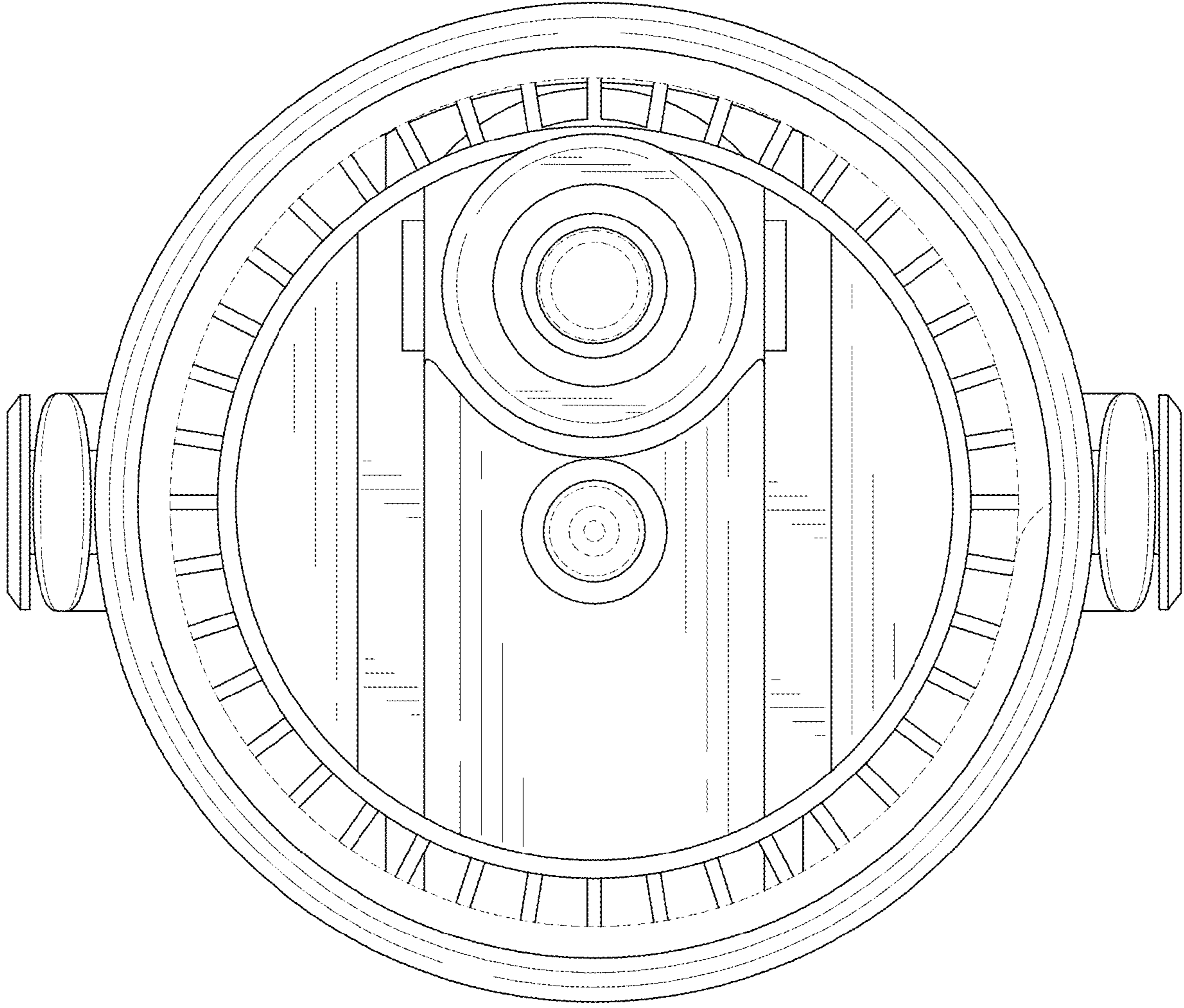


FIG. 8