



US00D900538S

(12) **United States Design Patent**  
**Yao**

(10) **Patent No.:** **US D900,538 S**

(45) **Date of Patent:** **\*\* Nov. 3, 2020**

(54) **BOTTLE LID**

(71) Applicant: **EVERICH AND TOMIC  
HOUSEWARES CO., LTD.**, Zhejiang  
(CN)

(72) Inventor: **Huajun Yao**, Zhejiang (CN)

(73) Assignee: **EVERICH AND TOMIC  
HOUSEWARES CO., LTD.**, Zhejiang  
(CN)

(\*\*) Term: **15 Years**

(21) Appl. No.: **29/687,279**

(22) Filed: **Apr. 11, 2019**

(30) **Foreign Application Priority Data**

Oct. 12, 2018 (CN) ..... 2018 3 0569084

(51) **LOC (12) Cl.** ..... **07-01**

(52) **U.S. Cl.**  
USPC ..... **D7/392.1; D7/396.2**

(58) **Field of Classification Search**

USPC ..... D7/524, 525, 526, 527, 528, 510, 511,  
D7/392.1, 396.2, 387, 393, 396.6, 213,  
D7/523; D9/435, 436, 439, 447, 503,  
D9/504, 562; D27/102, 103, 118, 109,  
D27/138

CPC .... B65D 41/04; B65D 43/02; A47G 19/2288;  
A47G 19/2266

See application file for complete search history.

(56) **References Cited**

**U.S. PATENT DOCUMENTS**

D652,256 S \* 1/2012 Eyal ..... D7/510  
8,668,106 B1 \* 3/2014 Joy ..... B65D 47/305  
220/254.3

D812,966 S \* 3/2018 Murosky ..... D7/392.1  
D814,855 S \* 4/2018 Hammer ..... D7/392.1  
D823,061 S \* 7/2018 Murosky ..... D7/510  
D862,156 S \* 10/2019 Meyers ..... D7/392  
D862,985 S \* 10/2019 Backs ..... D7/511  
D870,508 S \* 12/2019 Palkon ..... D7/392.1  
D871,855 S \* 1/2020 Fleischhut ..... D7/608  
D872,524 S \* 1/2020 Bo ..... D7/392.1  
D881,643 S \* 4/2020 Fleischhut ..... D7/396.2  
D886,517 S \* 6/2020 Bo ..... D7/392.1  
D887,776 S \* 6/2020 Bo ..... D7/392.1

\* cited by examiner

*Primary Examiner* — Jae Liang

(74) *Attorney, Agent, or Firm* — Global IP Services;  
Tianhua Gu

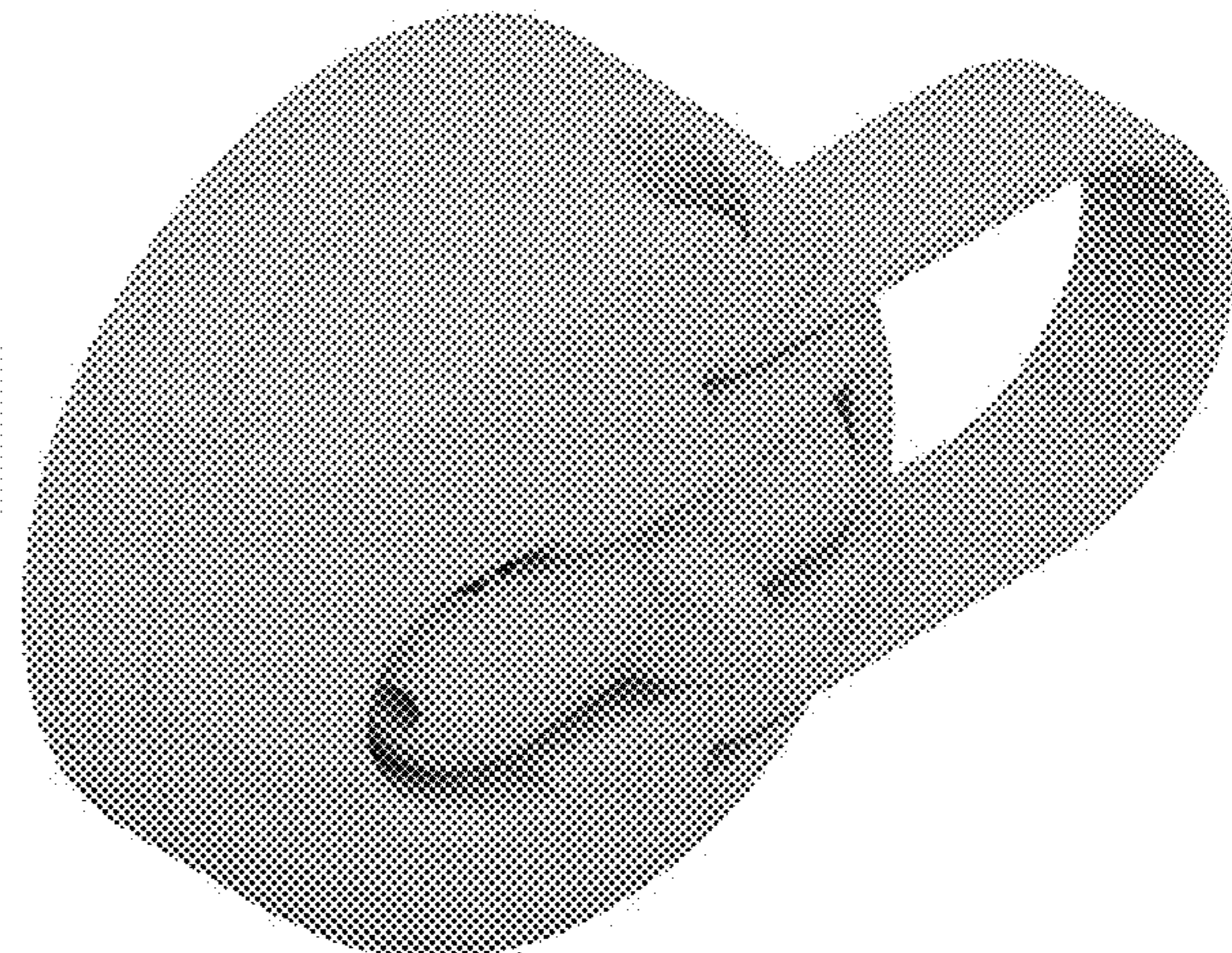
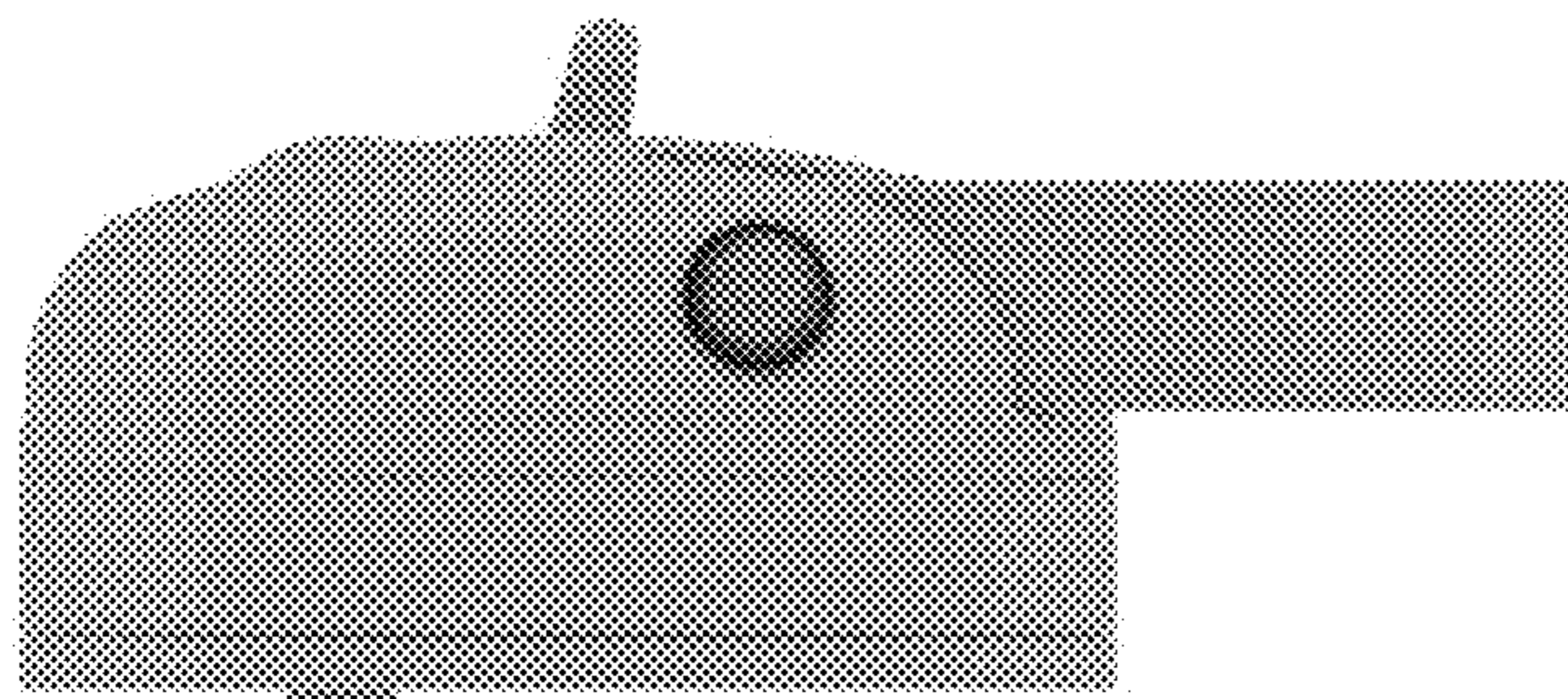
(57) **CLAIM**

The ornamental design for a bottle lid, as shown and described.

**DESCRIPTION**

FIG. 1 is a front elevational view of a bottle lid, showing my new design;  
FIG. 2 is a rear elevational view thereof;  
FIG. 3 is a left side elevational view thereof;  
FIG. 4 is a right side elevational view thereof;  
FIG. 5 is a top plan view thereof;  
FIG. 6 is a bottom plan view thereof;  
FIG. 7 is a front perspective view thereof; and,  
FIG. 8 is a rear perspective view thereof.

**1 Claim, 8 Drawing Sheets**



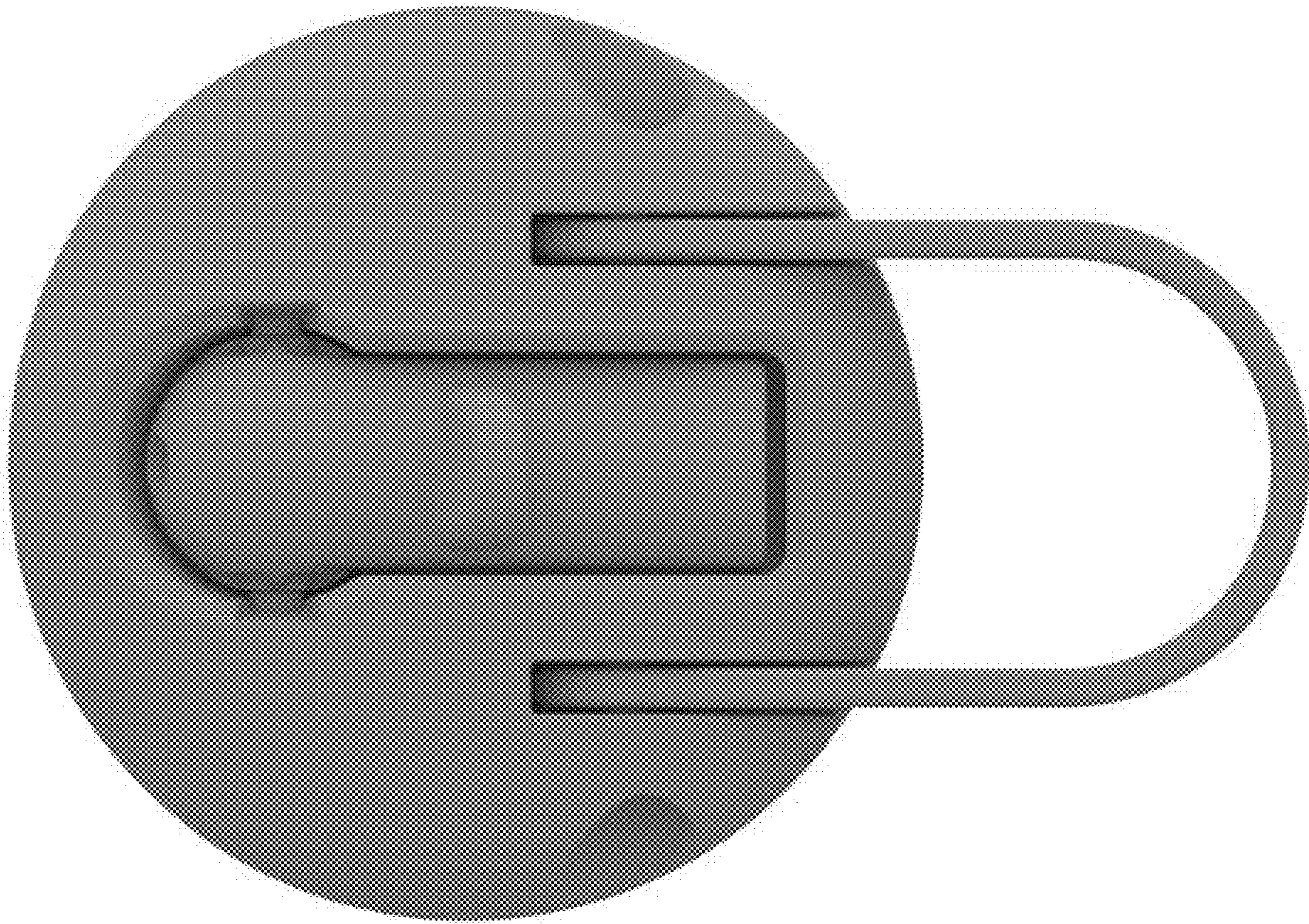


FIG. 1

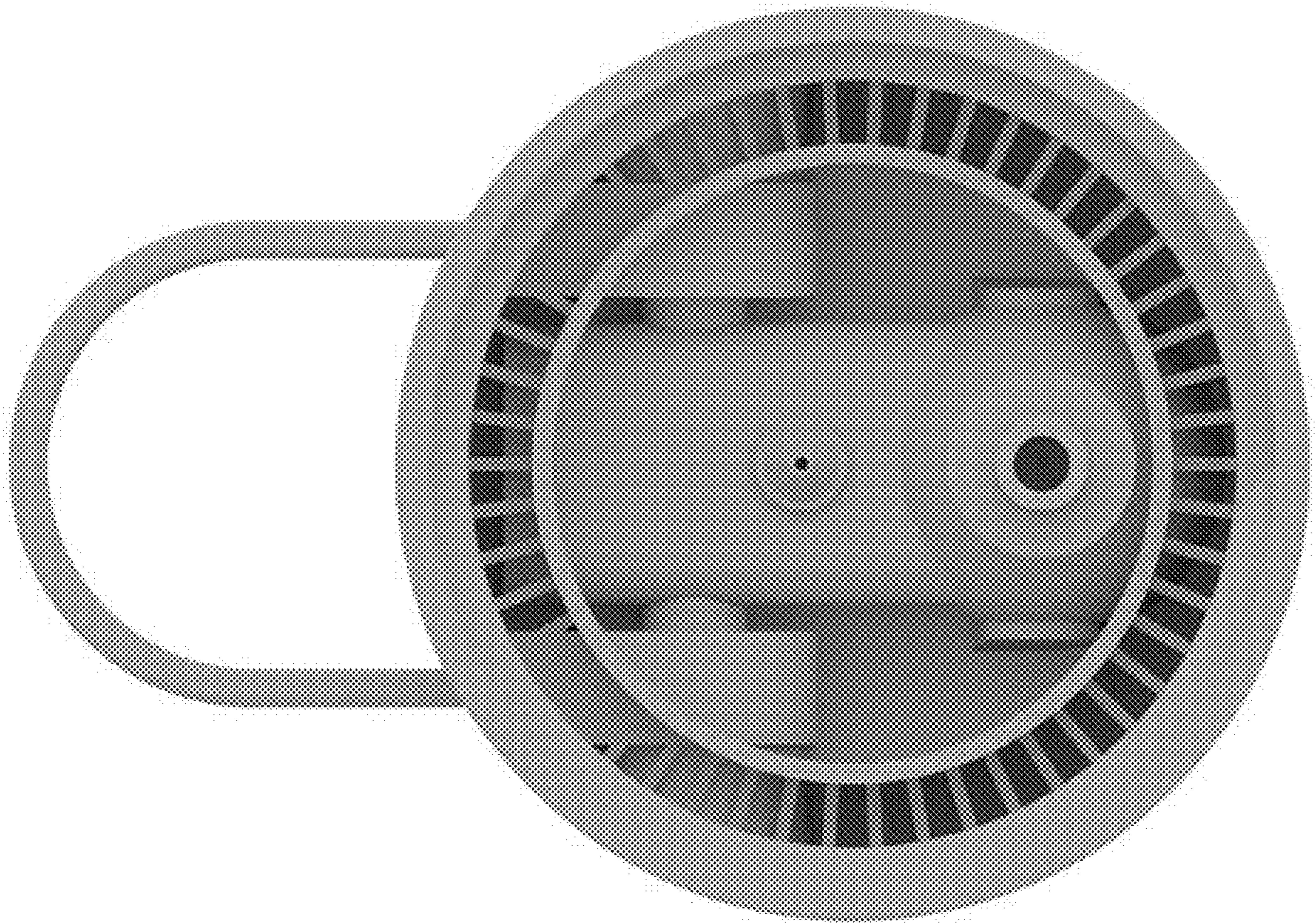


FIG. 2

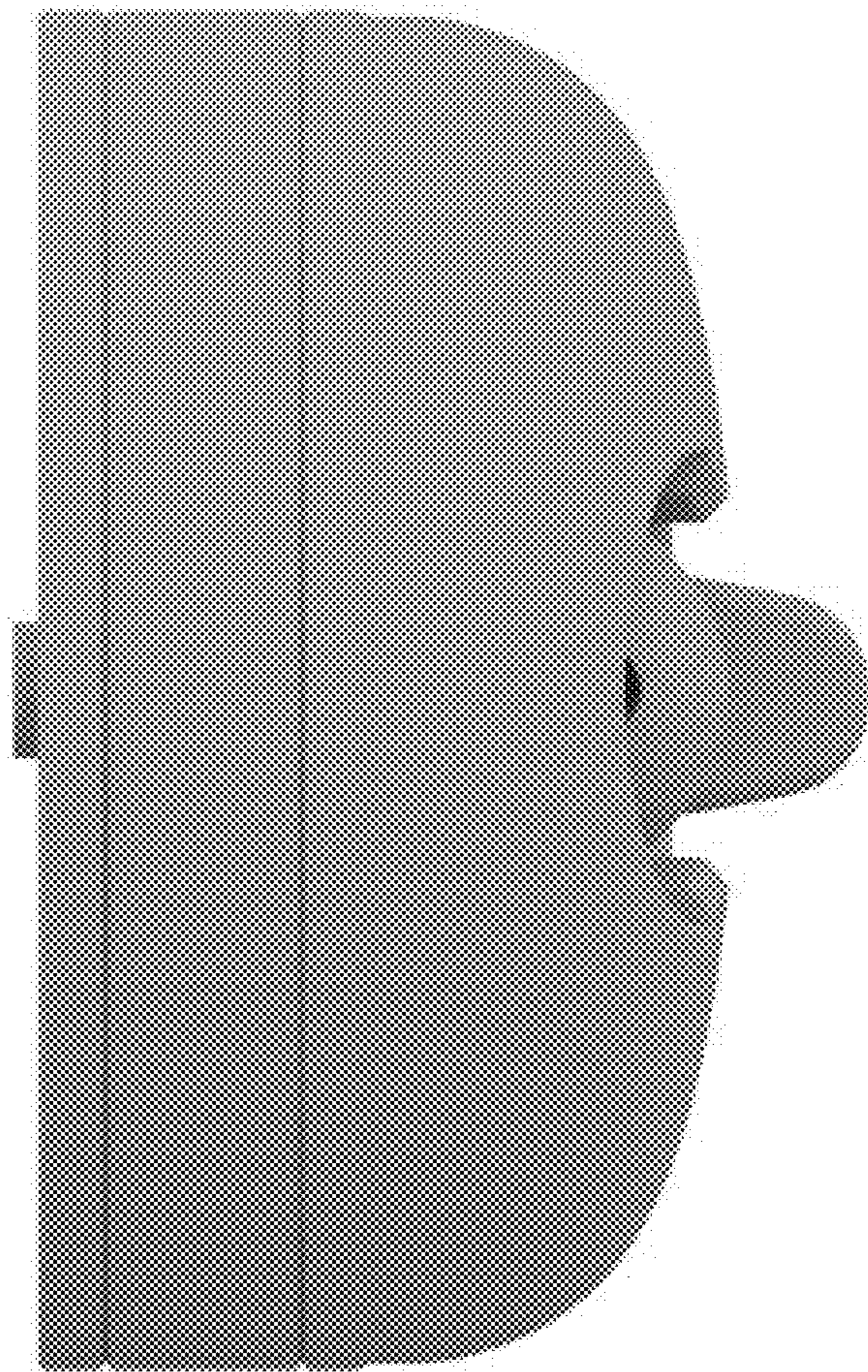


FIG. 3

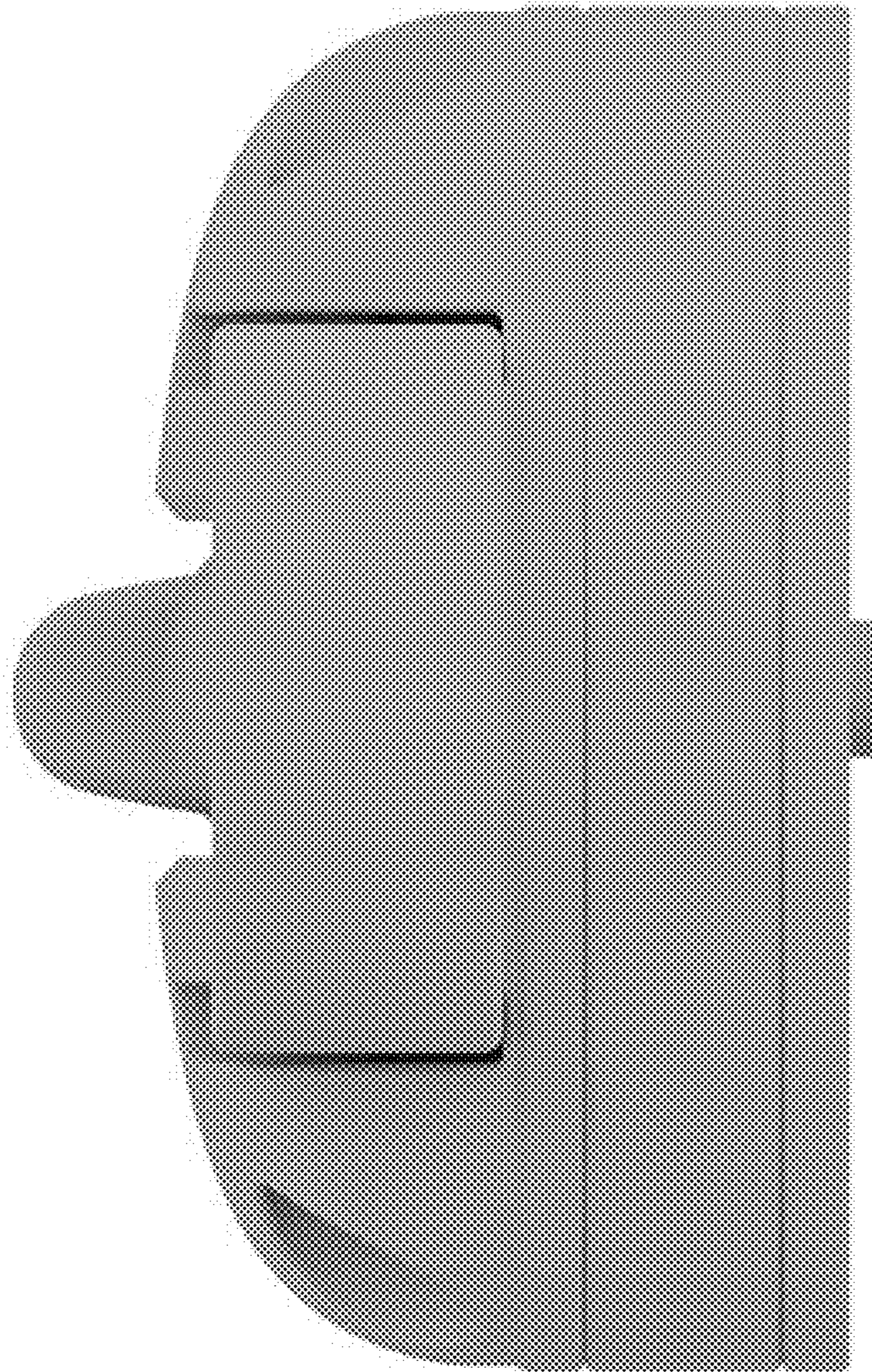


FIG. 4

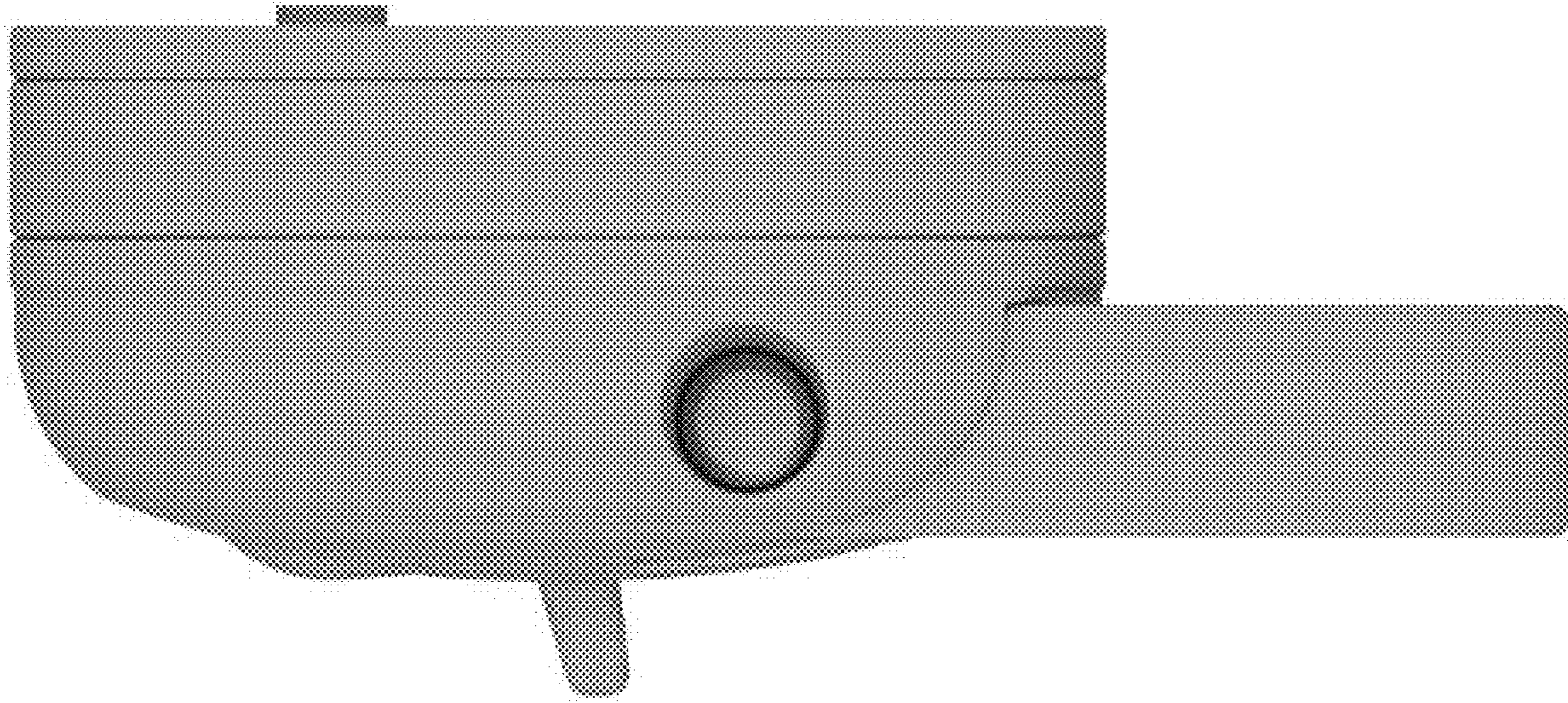


FIG. 5

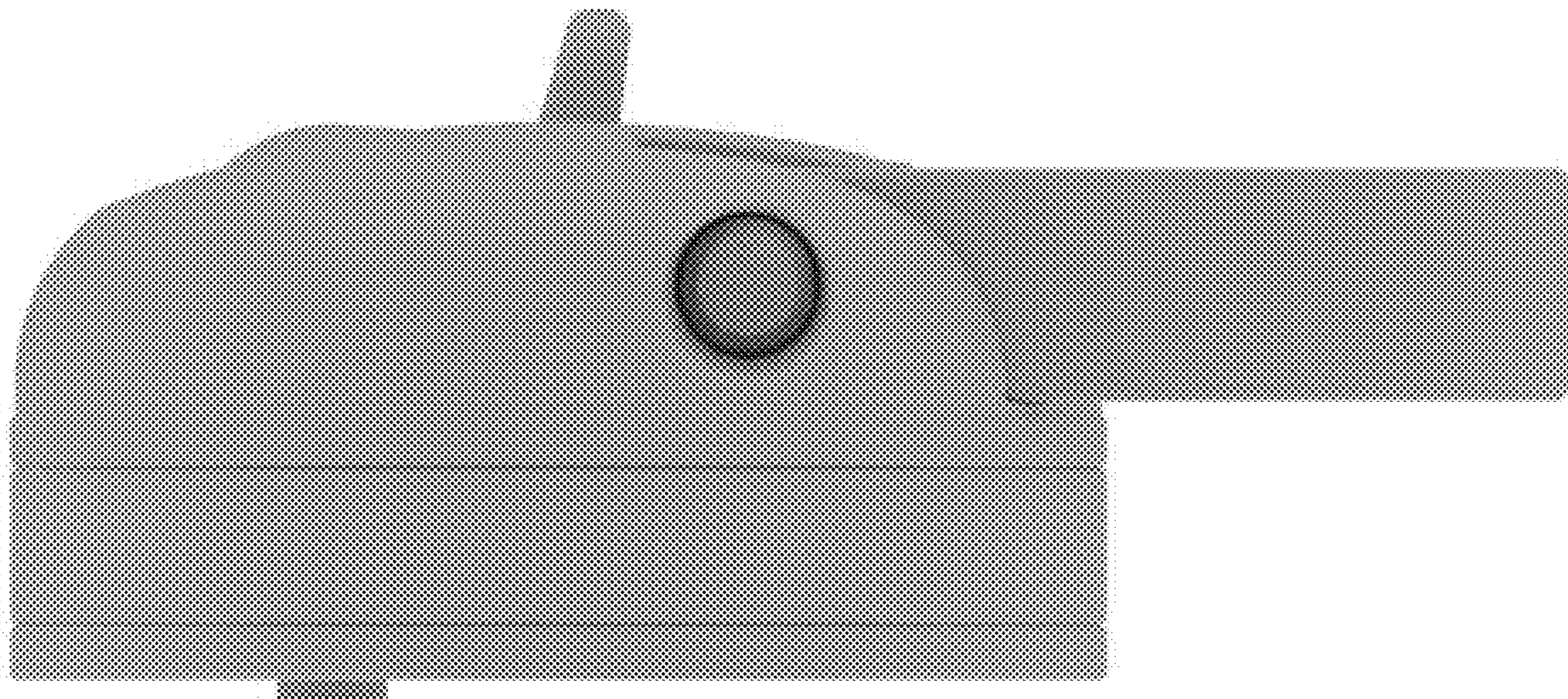


FIG. 6



FIG. 7



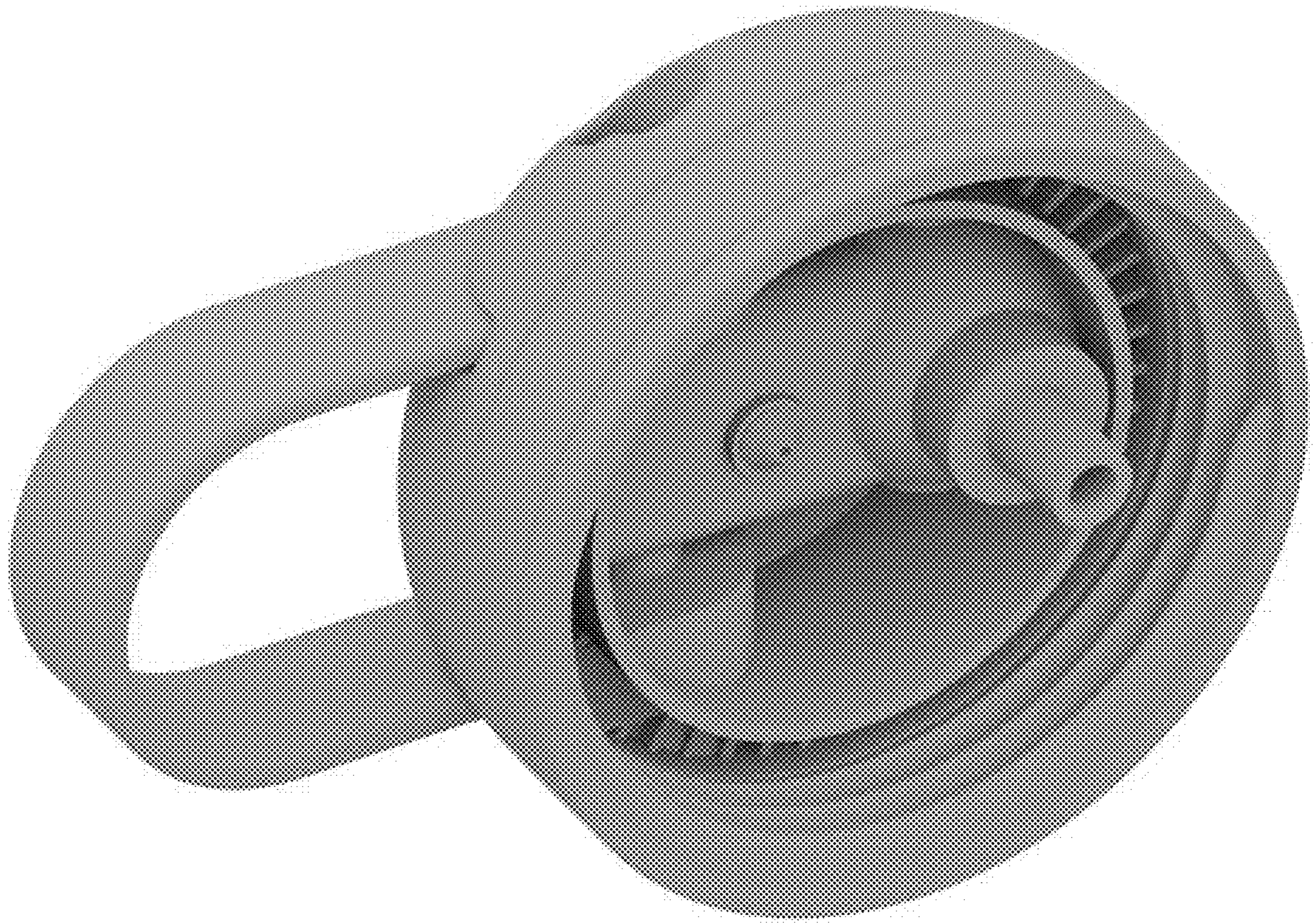


FIG. 8