



US00D900535S

(12) **United States Design Patent** (10) **Patent No.:** **US D900,535 S**
Chen (45) **Date of Patent:** **** Nov. 3, 2020**

(54) **FOOD PROCESSOR BASE**

(71) Applicant: **Cuihong Chen**, Taizhou (CN)

(72) Inventor: **Cuihong Chen**, Taizhou (CN)

(**) Term: **15 Years**

(21) Appl. No.: **29/695,252**

(22) Filed: **Jun. 18, 2019**

(51) **LOC (12) Cl.** **31-00**

(52) **U.S. Cl.**
USPC **D7/386; D7/376**

(58) **Field of Classification Search**
USPC D7/372, 376-386, 412-413, 602, 629,
D7/665-666, 669, 679, 693-694
CPC A21C 1/02; A21C 1/04; A23N 1/00; A23N
1/02; A47J 43/04; A47J 43/25; A47J
43/27; A47J 43/042; A47J 43/044; A47J
43/046; A47J 43/075; A47J 43/0722;
A47J 43/0727; B01F 3/00; B01F 3/0807;
B01F 3/0853; B01F 13/0059; B01F
13/0064; B02C 1/08; B02C 2/04; B02C
4/42; B02C 4/142; B02C 4/143; B02C
4/423; B02C 13/1835; B28C 5/10; B28C
5/12; B28C 5/14; B28C 5/16

See application file for complete search history.

(56) **References Cited**

U.S. PATENT DOCUMENTS

D175,601 S *	9/1955	Huck	D7/386
3,240,246 A *	3/1966	Dewenter	A47J 43/046 241/98
D547,118 S *	7/2007	Picozza	D7/412
D553,426 S *	10/2007	Lin	D7/378
D747,915 S *	1/2016	Kim	D7/378
D815,886 S *	4/2018	Huang	D7/378
D862,975 S *	10/2019	Bodum	D7/378

* cited by examiner

Primary Examiner — Ricky Pham

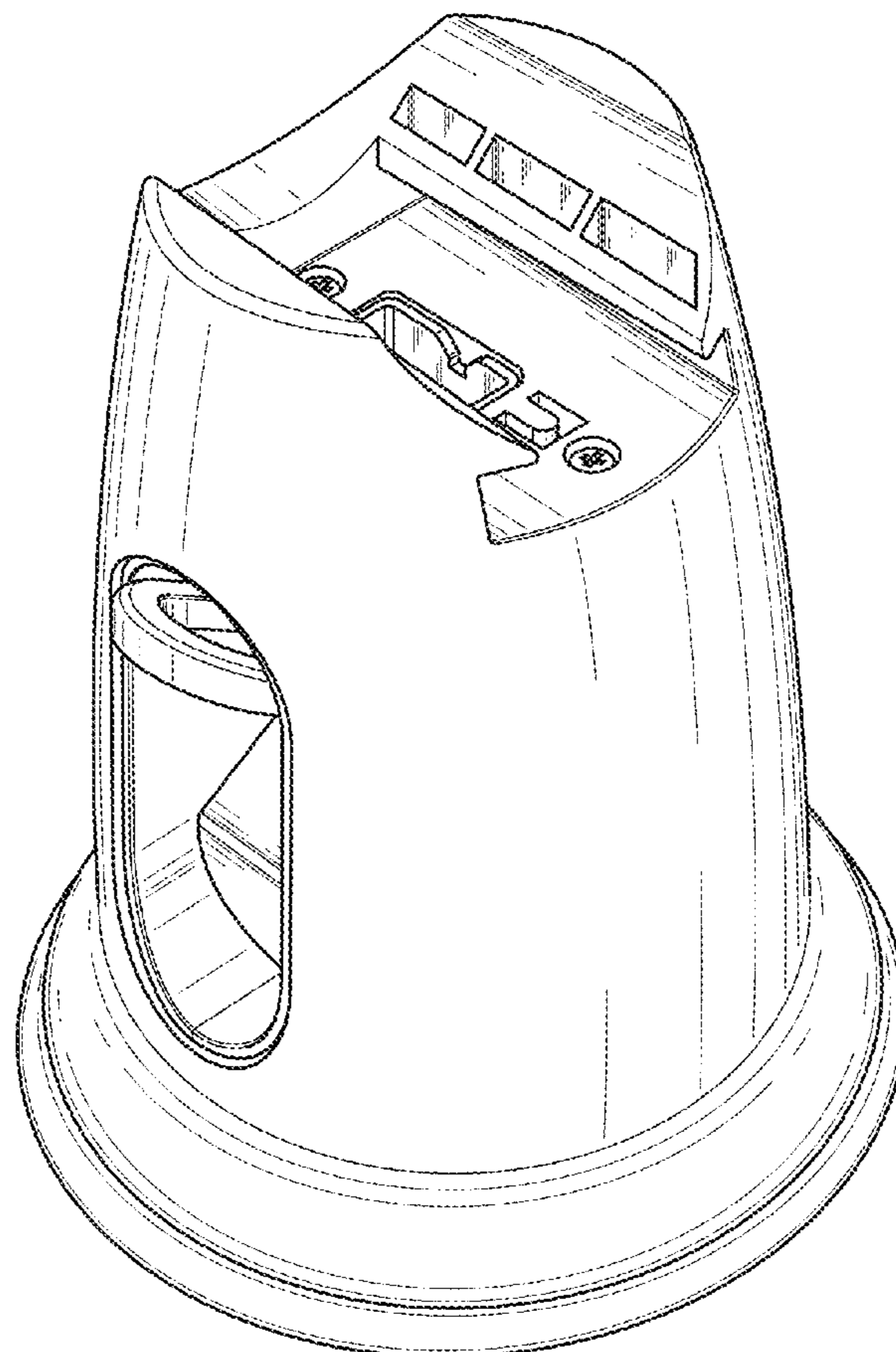
(57) **CLAIM**

The ornamental design for a food processor base, as shown and described.

DESCRIPTION

FIG. 1 is a perspective view of a food processor base showing my new design;
FIG. 2 is a rear view thereof;
FIG. 3 is a front view thereof;
FIG. 4 is a left view thereof;
FIG. 5 is a right view thereof;
FIG. 6 is a top view thereof; and,
FIG. 7 is a bottom view thereof.

1 Claim, 7 Drawing Sheets



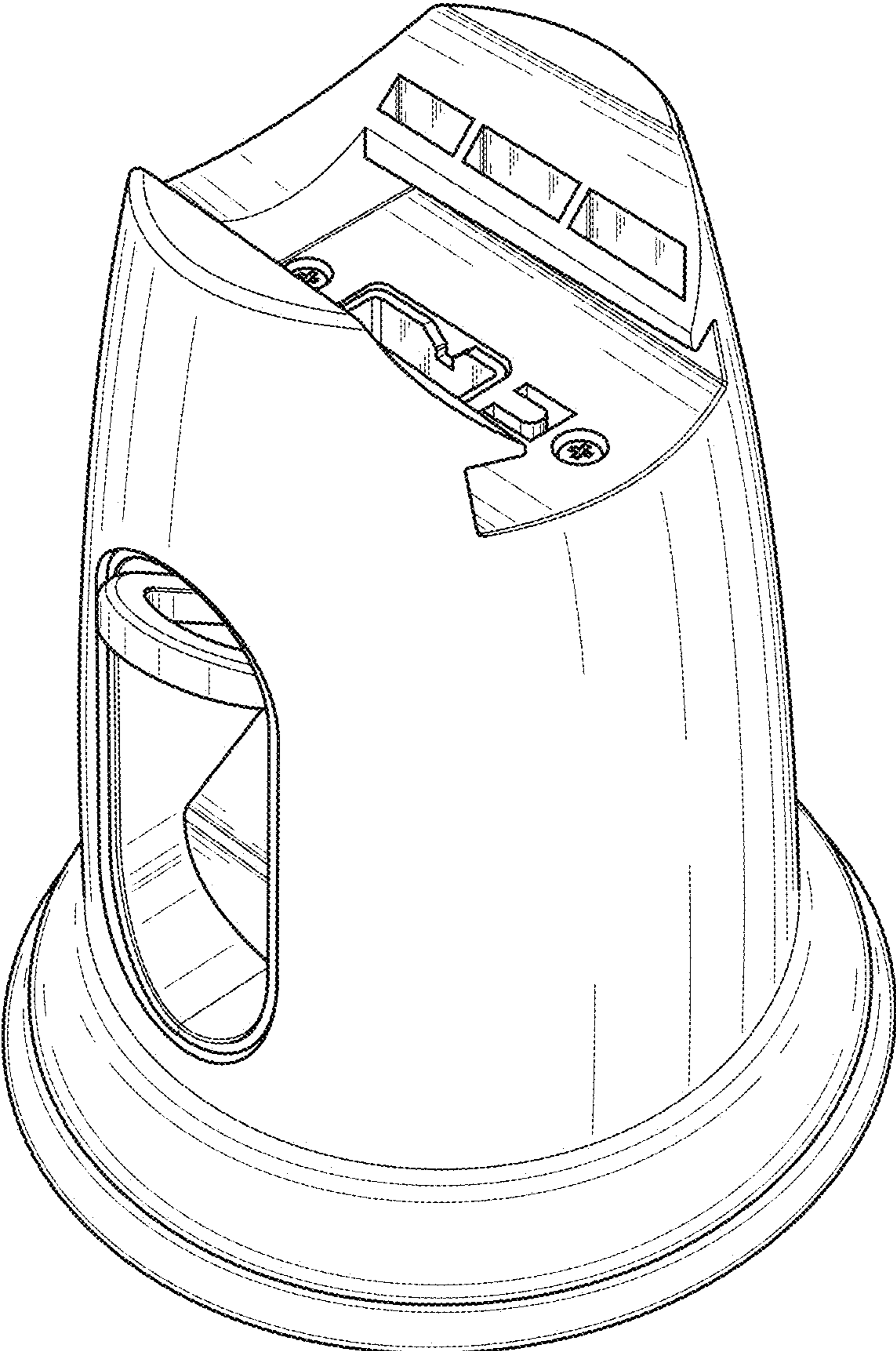


Fig. 1

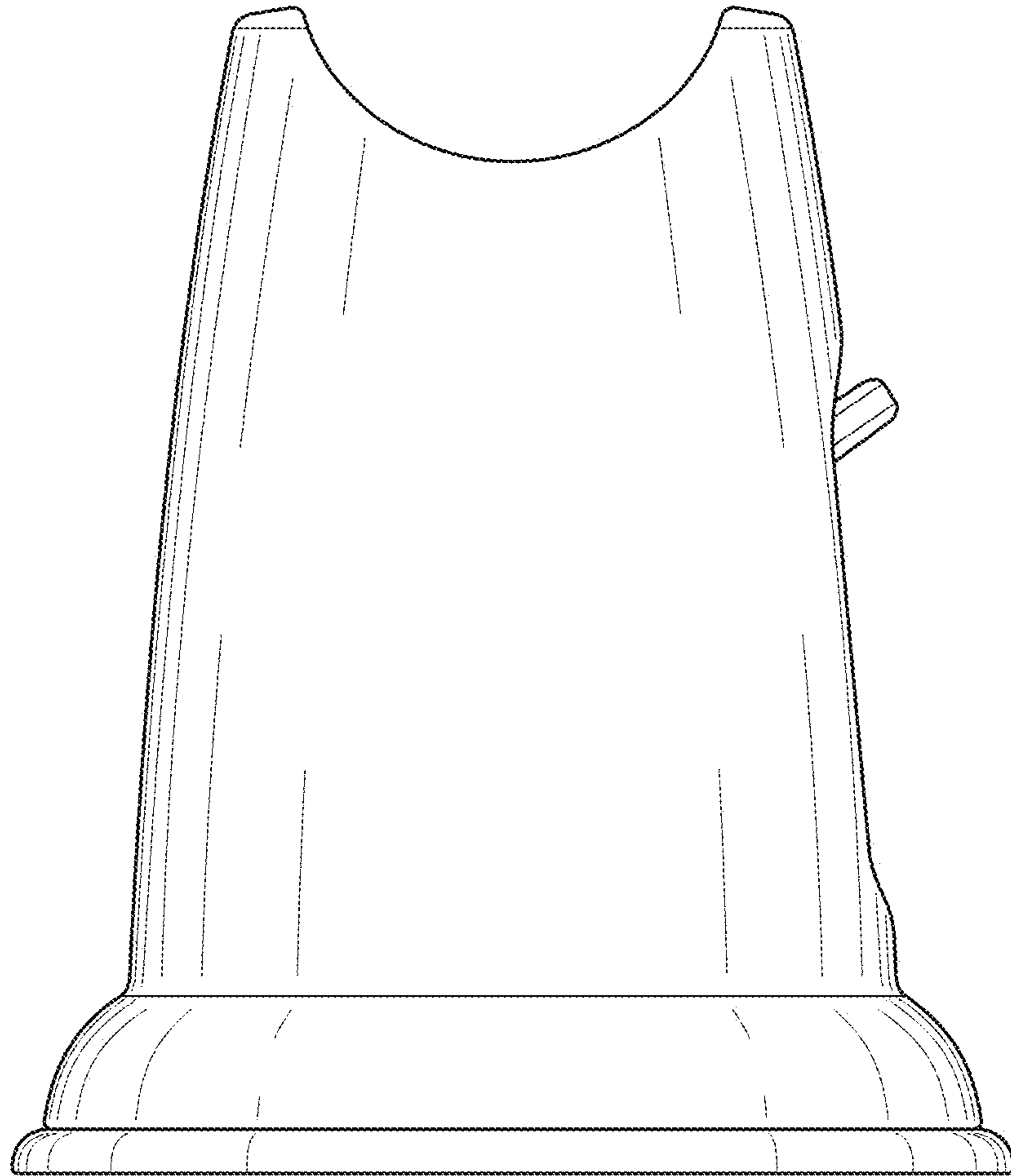


Fig. 2

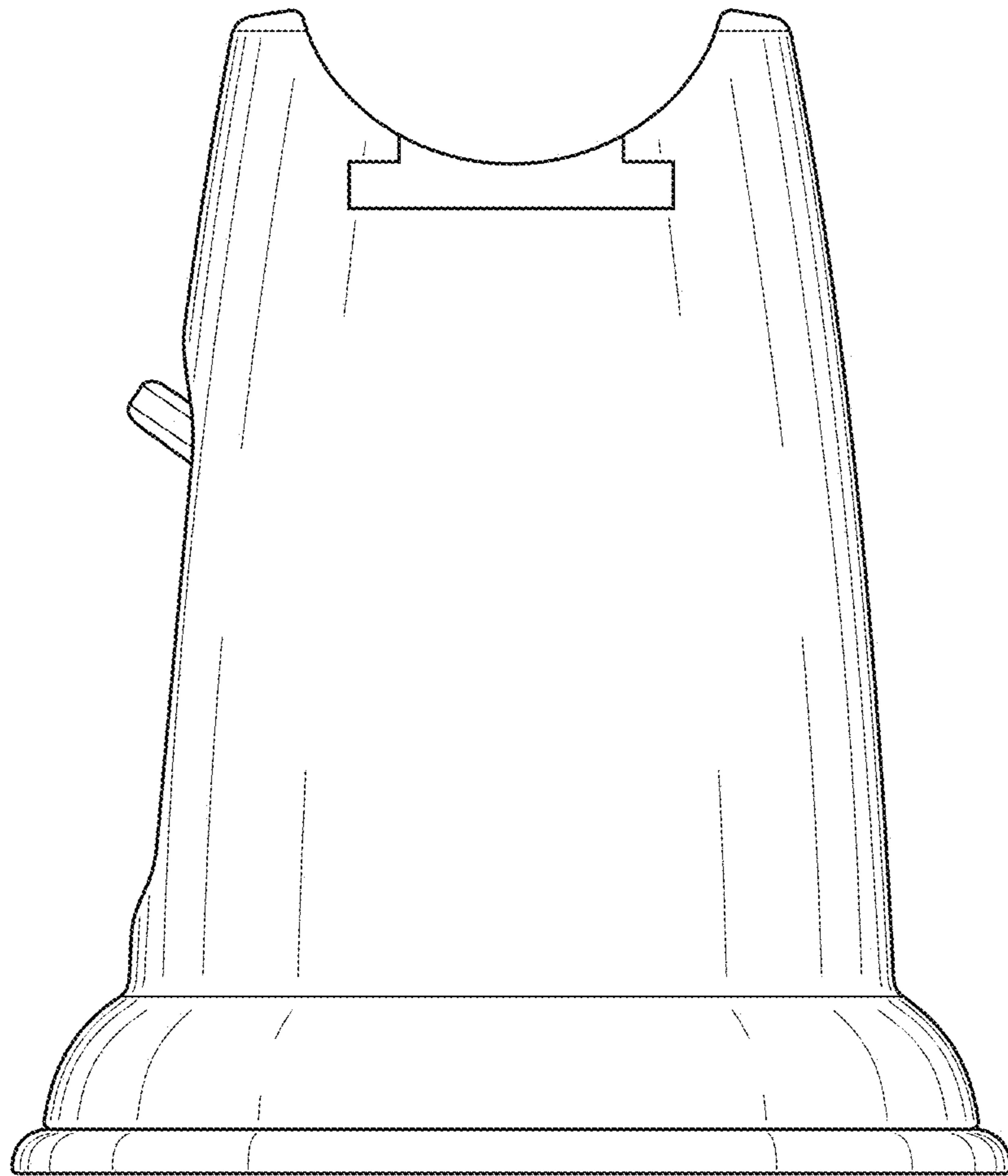


Fig. 3

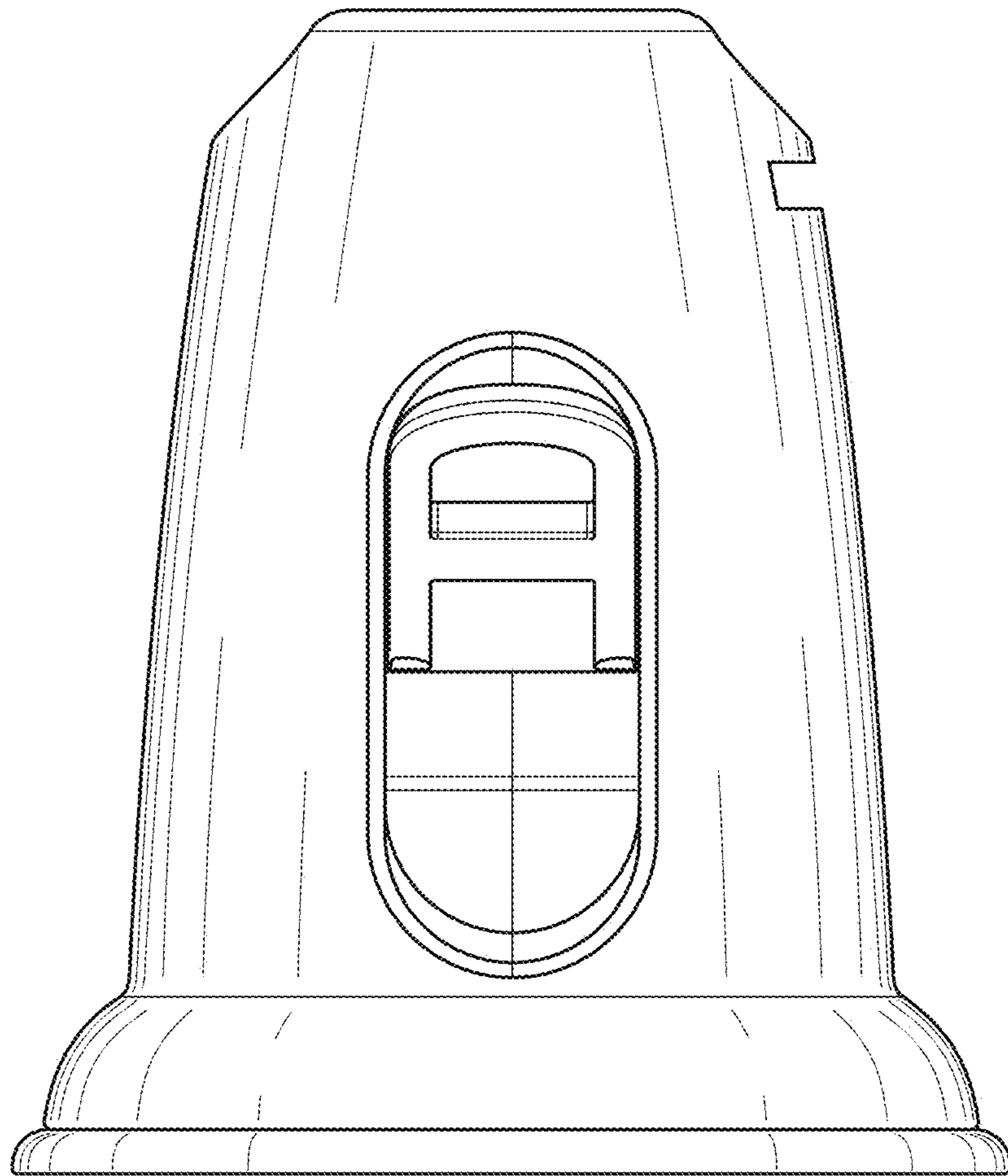


Fig. 4

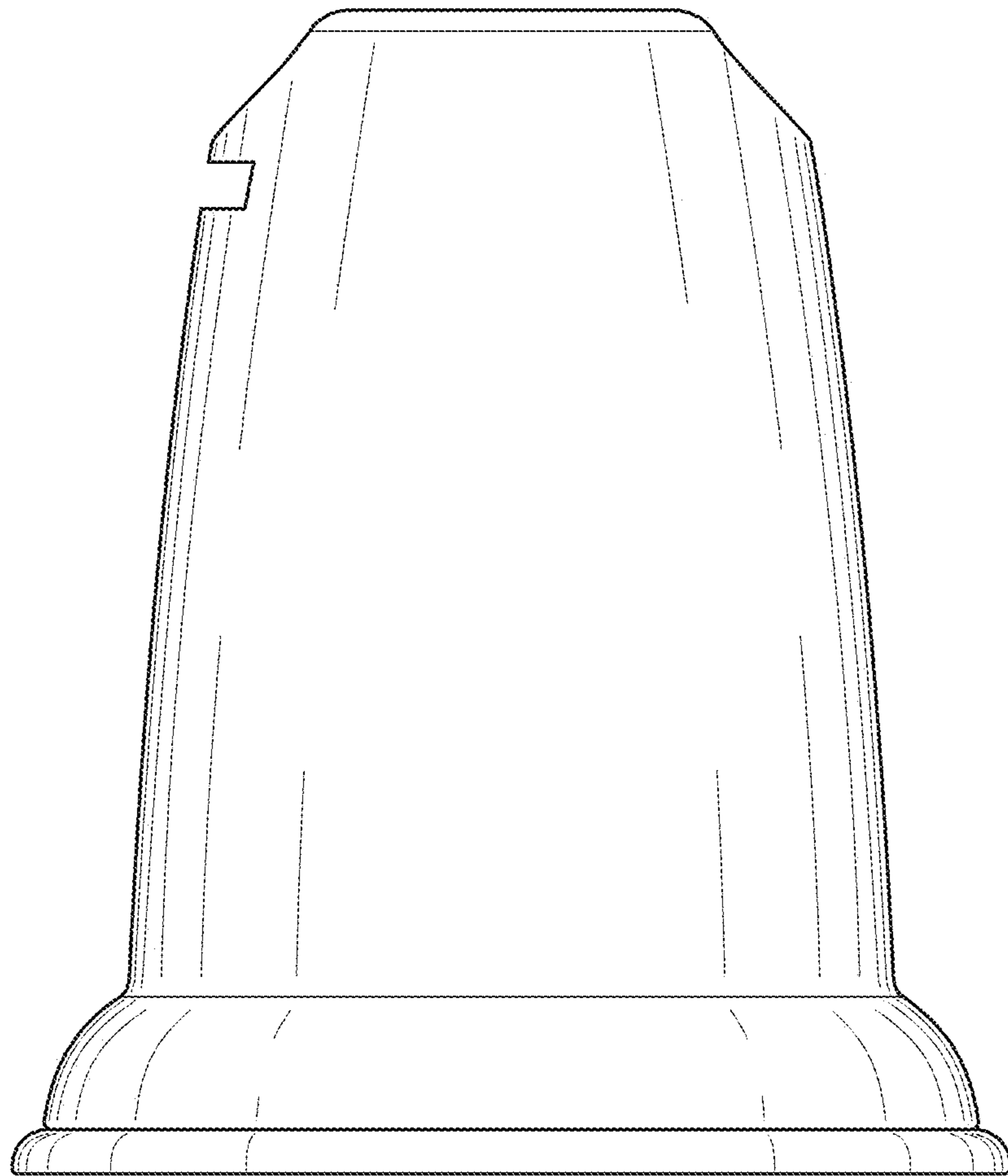


Fig. 5

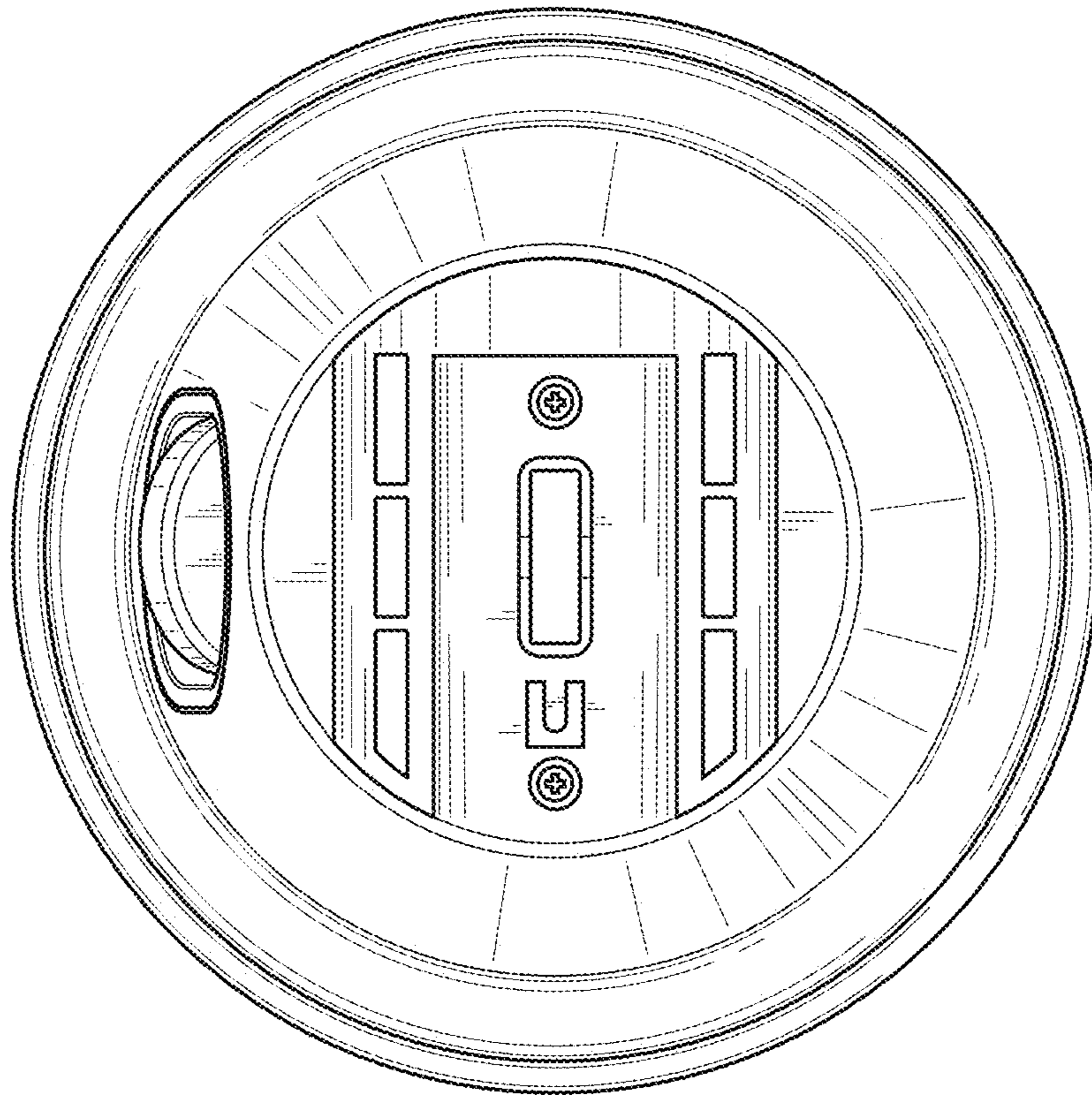


Fig. 6

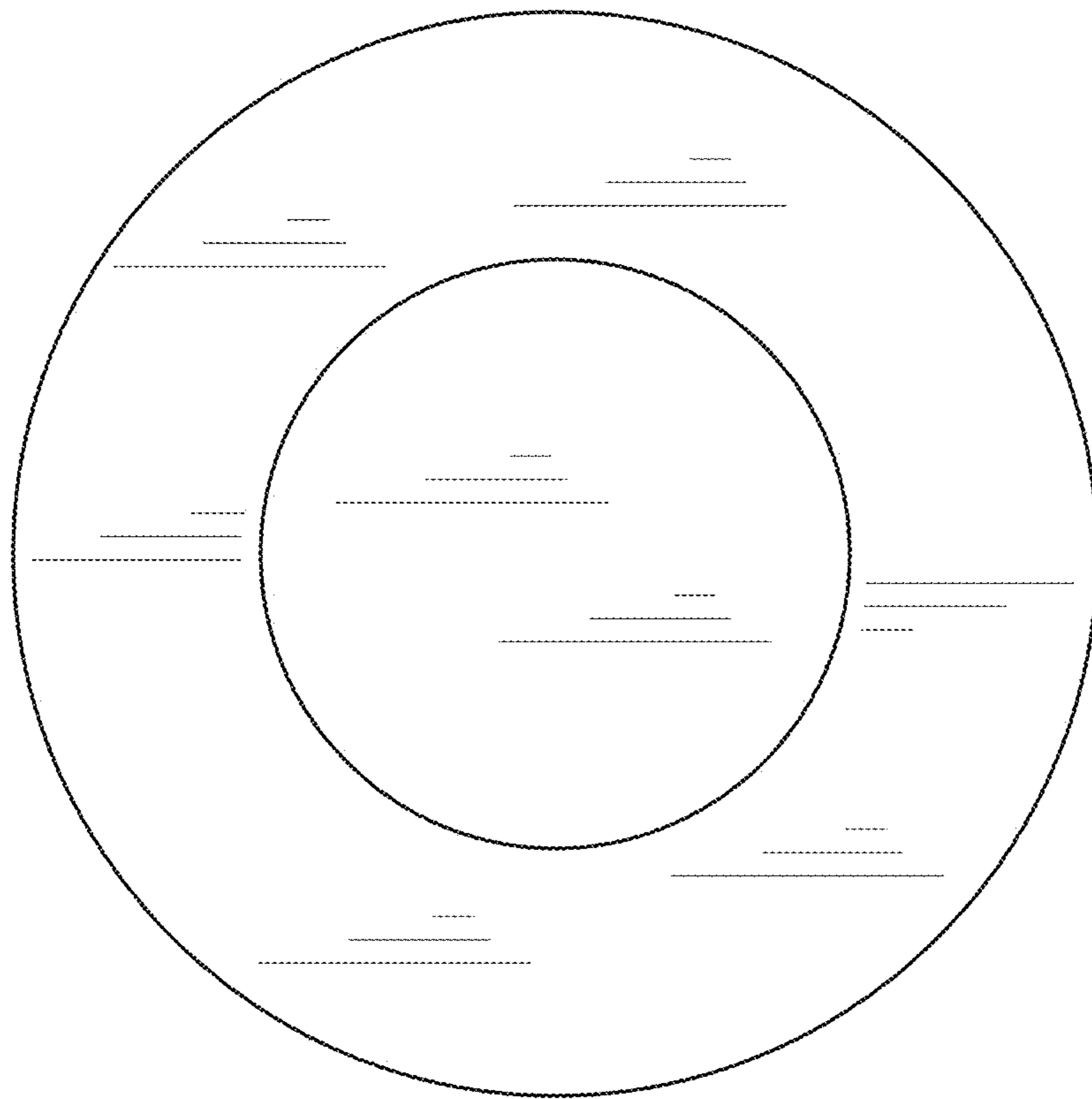


Fig. 7